

**AMP**AMP INCORPORATED  
HARRISBURG, PA 17105CUSTOMER HOTLINE  
1 800 722-1111AMP\* SMB  
50-OHM AND 75-OHM  
VERTICAL MOUNT  
PRINTED CIRCUIT BOARD  
JACK CONNECTORS

REDUCED FOR PACKAGING

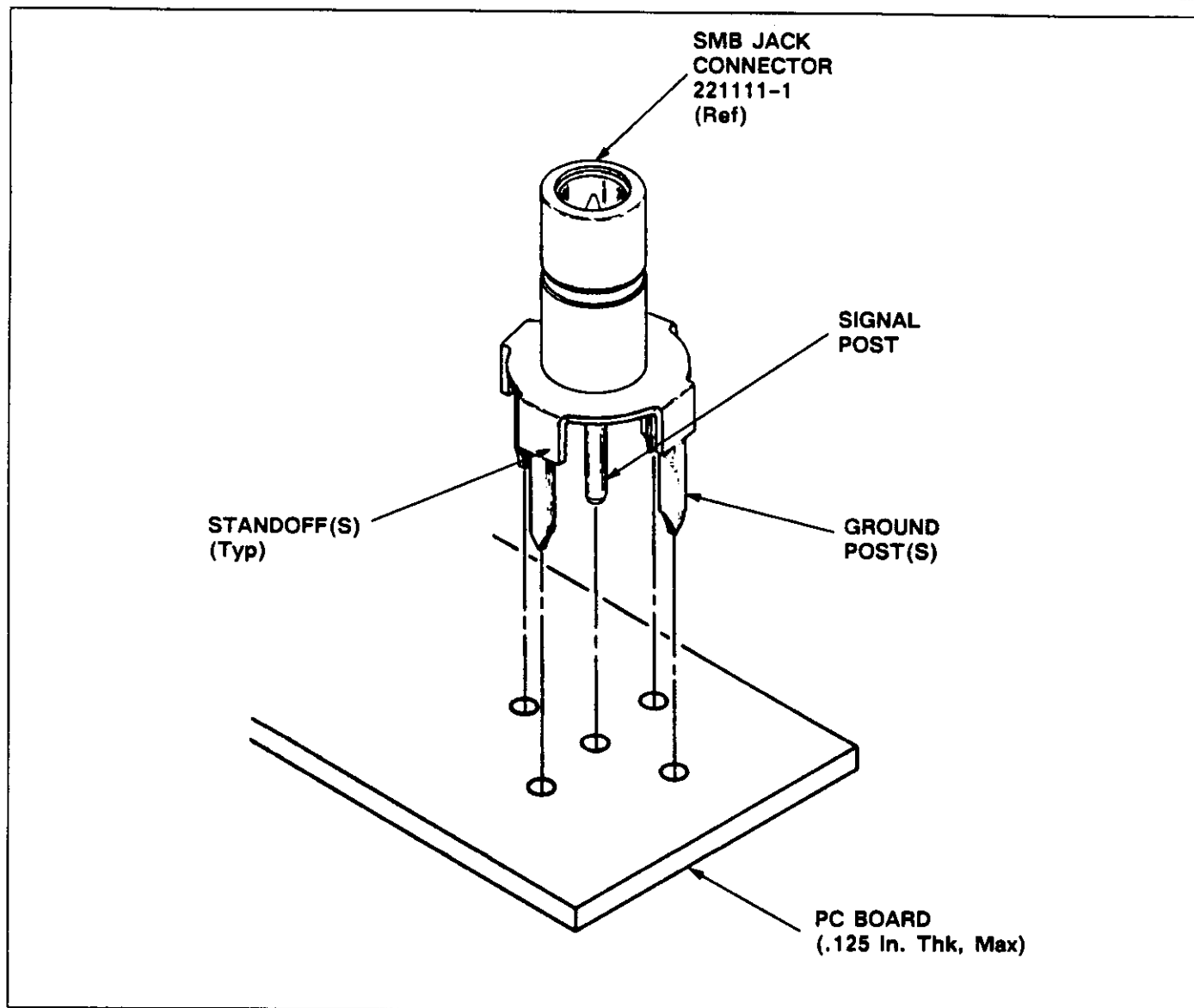
**IS 2987-7**RELEASED  
8-12-91

Fig. 1

81-238

**1. INTRODUCTION**

This instruction sheet (IS) covers the installation of AMP SMB 50-Ohm and 75-Ohm Printed Circuit Board (PCB) Jack Connectors 221111-1, 228212-1, and 221114-1 designed for vertical mounting. See Figure 1.

Read this instruction sheet thoroughly before starting assembly.

**NOTE**

*All dimensions on this instruction sheet are in inches.*

**2. DESCRIPTION**

Each connector features a receptacle body consisting of four ground posts with standoffs, and a signal post. The connectors can be mounted from the center to the outer edge of a .125-in.-thick (maximum) pc board.

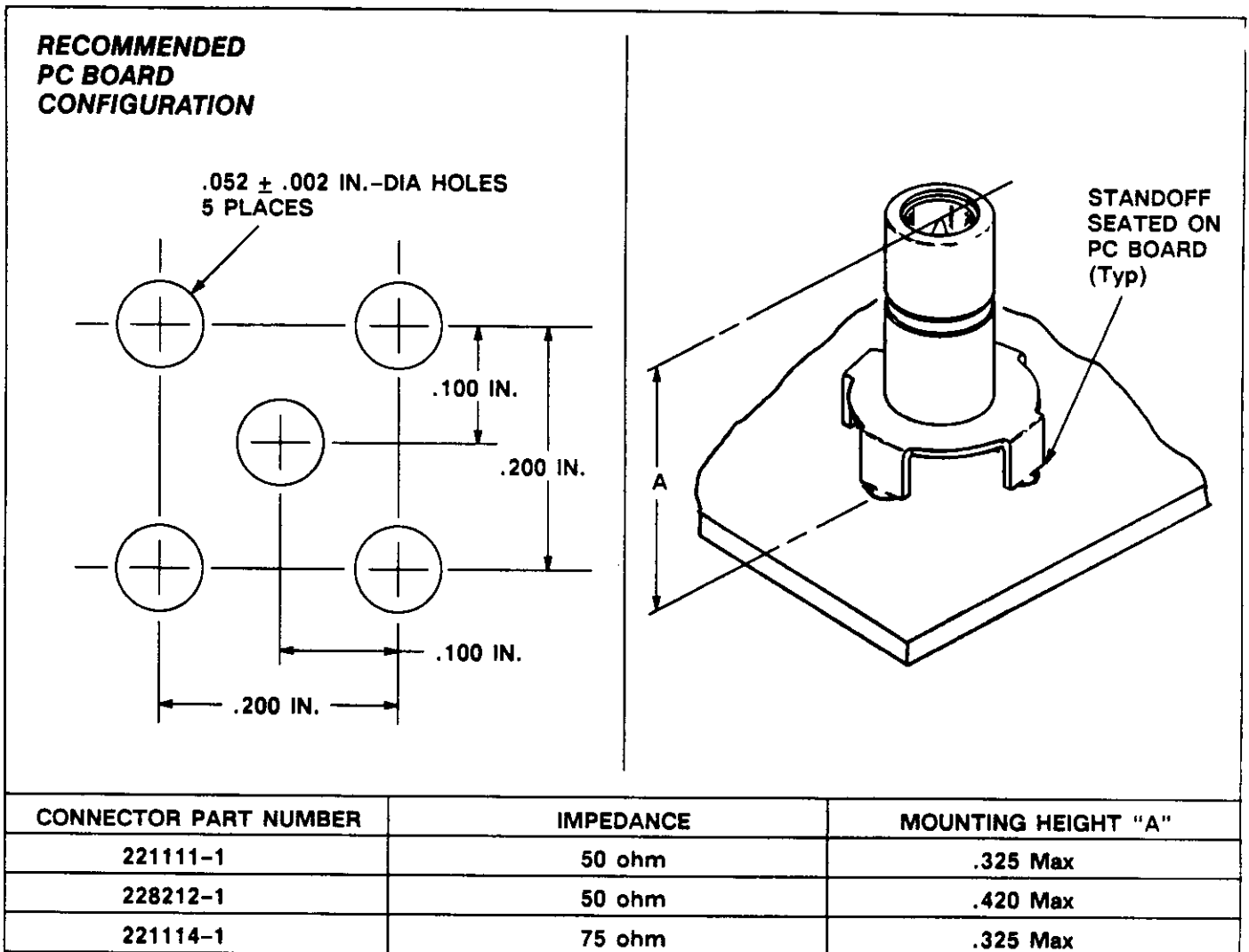


Fig. 2

200-061E, 81-239

### 3. MOUNTING CONNECTORS

1. Determine location for connector on pc board.
2. Make a layout on the pc board using the dimensions shown in Figure 2.

3. Insert the ground and contact posts into the pc board until the ground post standoffs are seated on the pc board.
4. Making sure the standoffs remain seated, solder connector to the board using standard hand-solder or wave-solder techniques.