



**AMP ★ ECONOMATE ★ II AND V
CONNECTOR HOUSING REMOVAL TOOL
Catalog No. 265896-1**

IS 2677	
RELEASED	9-24-76
REVISED	4-10-79

1. INTRODUCTION

The AMP ECONOMATE II and V connector housing removal tool, shown in Figure 1, is a pair of curved-needle-nosed pliers used to remove the connector housing from a panel. As shown, the nose has been factory-modified to fit over the ECONOMATE II and V connector housing to facilitate housing removal.

This tool is not field repairable. If it is broken or damaged, replacement and/or spares can be obtained from AMP Incorporated.

2. CONNECTOR HOUSING REMOVAL

- (a) Clamp tool over left end of connector housing, as shown in Figure 2, with nose of tool bottomed on connector housing.
- (b) Apply pressure to cause tool nose to pull end of connector housing up from panel.
- (c) Progressively move tool toward right end of connector housing (Figure 3) and repeat step (b), pulling more of connector housing up from panel, until housing is pulled free from panel.

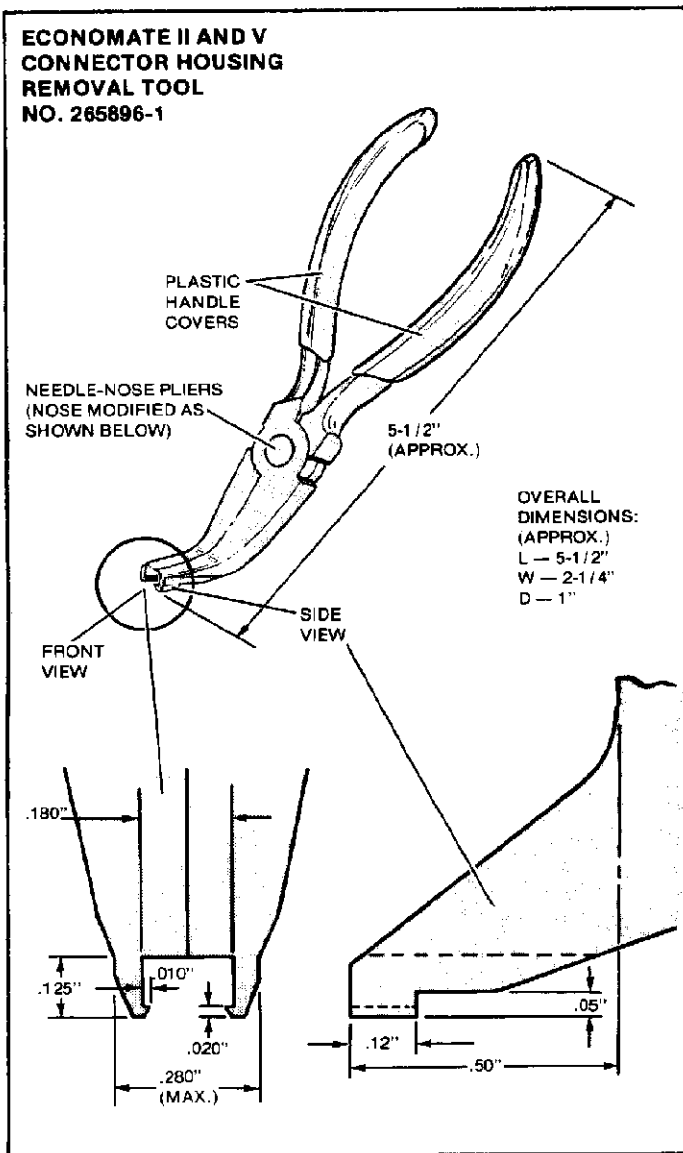


Figure 1

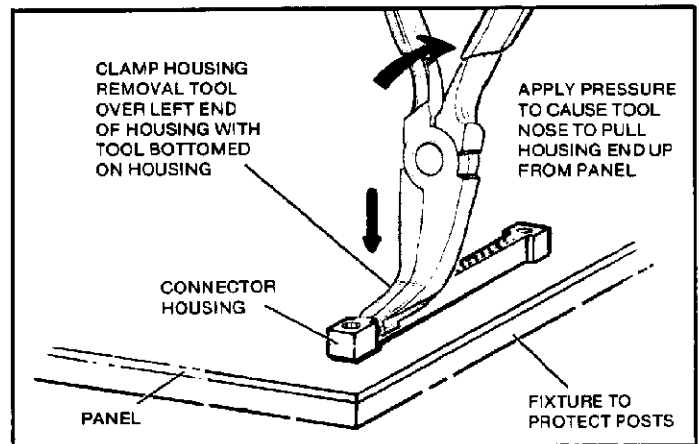


Figure 2

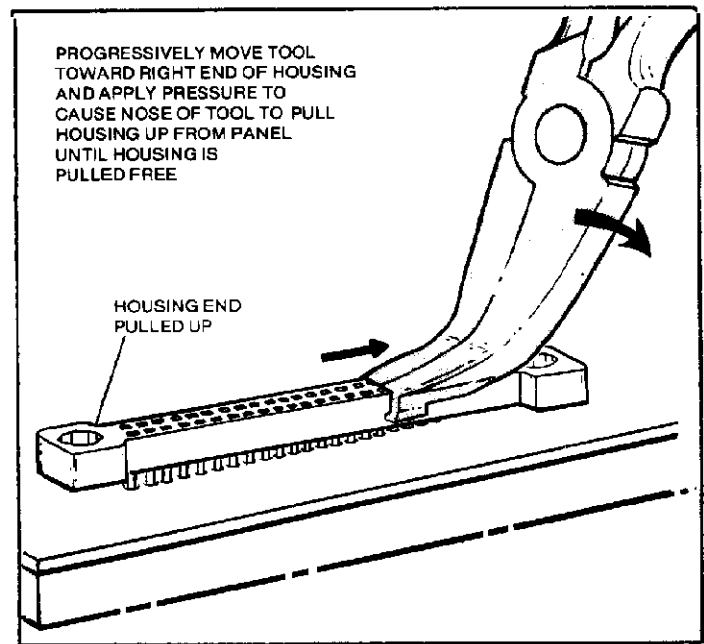


Figure 3

Copyright 1976, 1977, 1979 by AMP Incorporated, Harrisburg, Pa. All International Rights Reserved. AMP Incorporated products covered by U.S. and Foreign Patents and/or Patents Pending.