

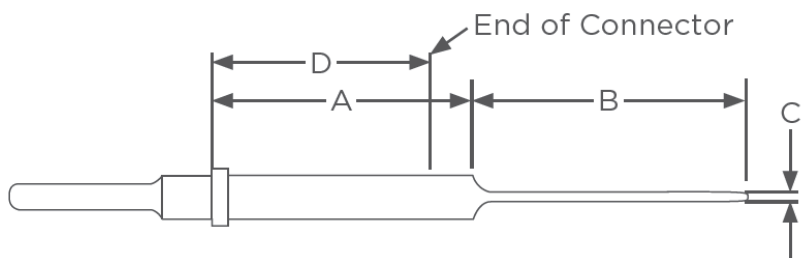
1. PCB PINS

Straight reduced diameter extended pins are available for installation in the DEUTSCH family of connectors. The use of removable contacts provides design flexibility and a low cost alternative to meet application needs. These solid copper alloy pins may be specified in various plating's and assembled in HD30, HDP20, HD10, DT, DTM, DTP or DRC16 receptacles. See tables below.



Contact Size	Part Number	A	B	C	HD30 HDP20	HD10	DT	DTM	DTP	DRC16
20	0460-208-2031	1.305 [33.15]	.248 [6.30]	.025 [.64]	X			X		
	0460-208-2090									
16	0460-208-16141	1.300 [33.02]	.248 [6.30]	.025 [.64]	X	X	X			X
	0460-208-1631									
	0460-229-16141	0.545 [13.84]								
	0460-241-16141	1.305 [33.15]	.160 [4.06]	.040 [1.02]	X	X	X			X
	0460-244-16141	.976 [24.79]	.400 [10.16]	.041 [1.04]	X	X	X			
	0460-244-1631									
12	0460-208-12141	1.305 [33.15]	.248 [6.30]	.025 [.64]	X	X			X	
	0460-245-1231	1.024 [26.01]	.500 [12.70]	.041 [1.04]	X	X			X	
	0460-245-1290									

Connector Series	D (2)
HD30/HDP20	.939 [23.85]
HD10	.925 [23.50]
DT2-3 pin	.677 [17.20]
DT4-12 pin	.777 [19.74]
DTM2-3 pin	.592 [15.04]
DTM4-12 pin	.692 [17.58]
DTP2-4 pin	.829 [20.06]
DRC size 16	1.063 [27.00]



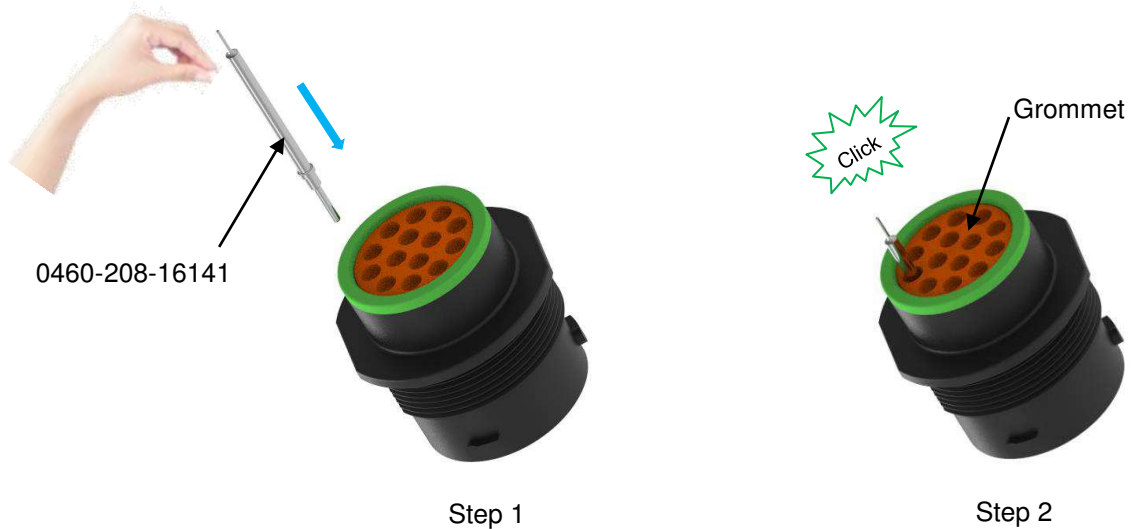
i NOTE

- 1) Dimensions are for reference only. See [0425-202-0000](#) product drawing.
- 2) "D" is equal to the distance from the contact locking shoulder to the end of the connector

2. PCB PINS INSTALLATION (HDP SHOWN AS EXAMPLE)

Step 1. Grasp PCB pin and hold the connector with grommet facing you.

Step 2. Push pin contact straight into grommet until positive stop is felt. The pin contact will lock into place. A slight tug on pin contact will confirm it is properly locked in place.

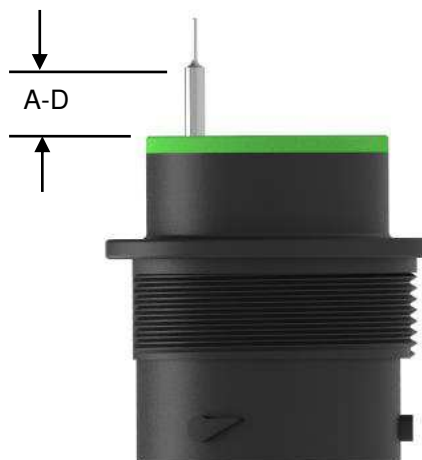


NOTES



- 1) Remove pins using either DEUTSCH rear release extraction tool, [408-151007](#) or front release extraction tool, [408-151008](#).
- 2) See individual connector 114 application specification for more information.

3. PCB PIN EXTENTION (HDP20 SHOWN AS EXAMPLE)



HD30 / HDP20	
Part Number	A-D
0460-208-20XX	0.366 [9.30]
0460-208-16XX	0.361 [9.17]
0460-241-16XX	0.366 [9.30]
0460-244-16XX	0.037 [.94]
0460-208-12XX	0.366 [9.30]
0460-245-12XX	0.085 [2.16]

HD10 Series	
Part Number	A-D
0460-208-16XX	0.375 [9.53]
0460-241-16XX	0.380 [9.65]
0460-244-16XX	0.051 [1.30]
0460-208-12XX	0.380 [9.65]
0460-245-12XX	0.099 [2.51]

DRC size 16	
Part Number	A-D
0460-208-16XX	0.237 [6.02]
0460-241-16XX	0.242 [6.15]

DTP2-4 pin	
Part Number	A-D
0460-208-12XX	0.476 [12.09]
0460-245-12XX	0.195 [4.95]

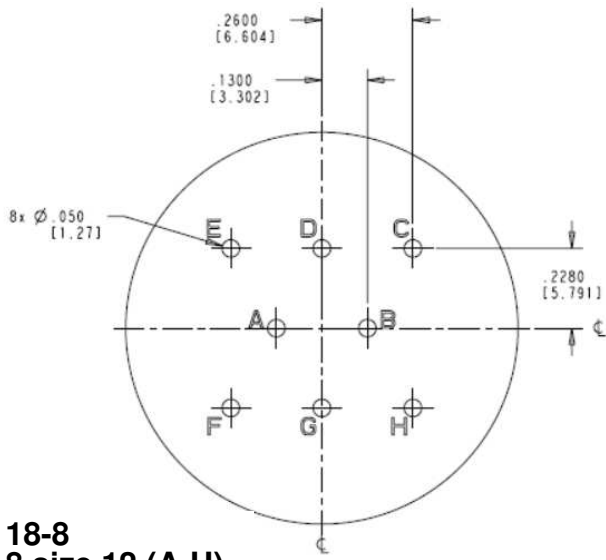
DT2-3 pin	
Part Number	A-D
0460-208-16XX	0.623 [15.82]
0460-241-16XX	0.628 [15.95]
0460-244-16XX	0.299 [7.59]

DTM2-3 pin	
Part Number	A-D
0460-208-20XX	0.713 [18.11]

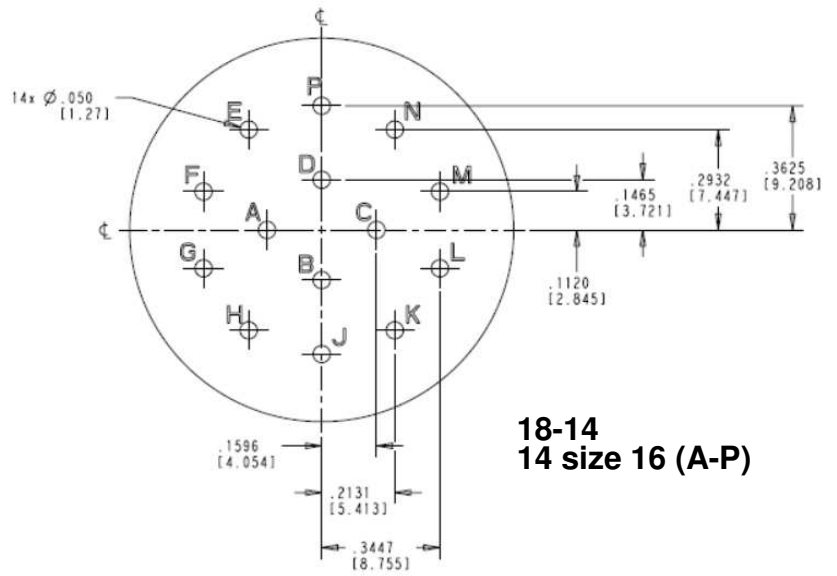
DT4-12 pin	
Part Number	A-D
0460-208-16XX	0.523 [13.28]
0460-241-16XX	0.528 [13.41]
0460-244-16XX	0.199 [5.05]

DTM4-12 pin	
Part Number	A-D
0460-208-20XX	0.613 [15.57]

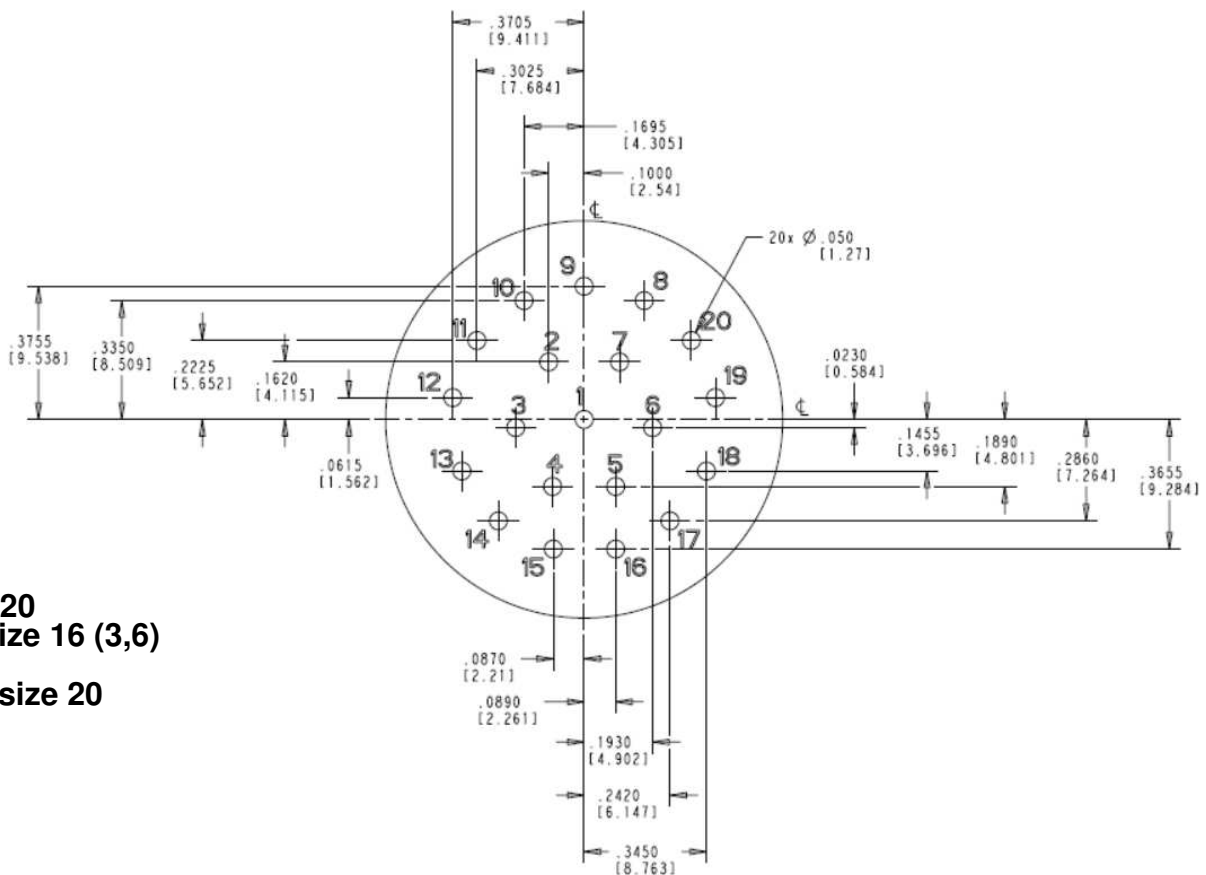
4. PCB PIN LAYOUT (HD30 / HDP20) SIZE 18



18-8
8 size 12 (A-H)



18-14
14 size 16 (A-P)



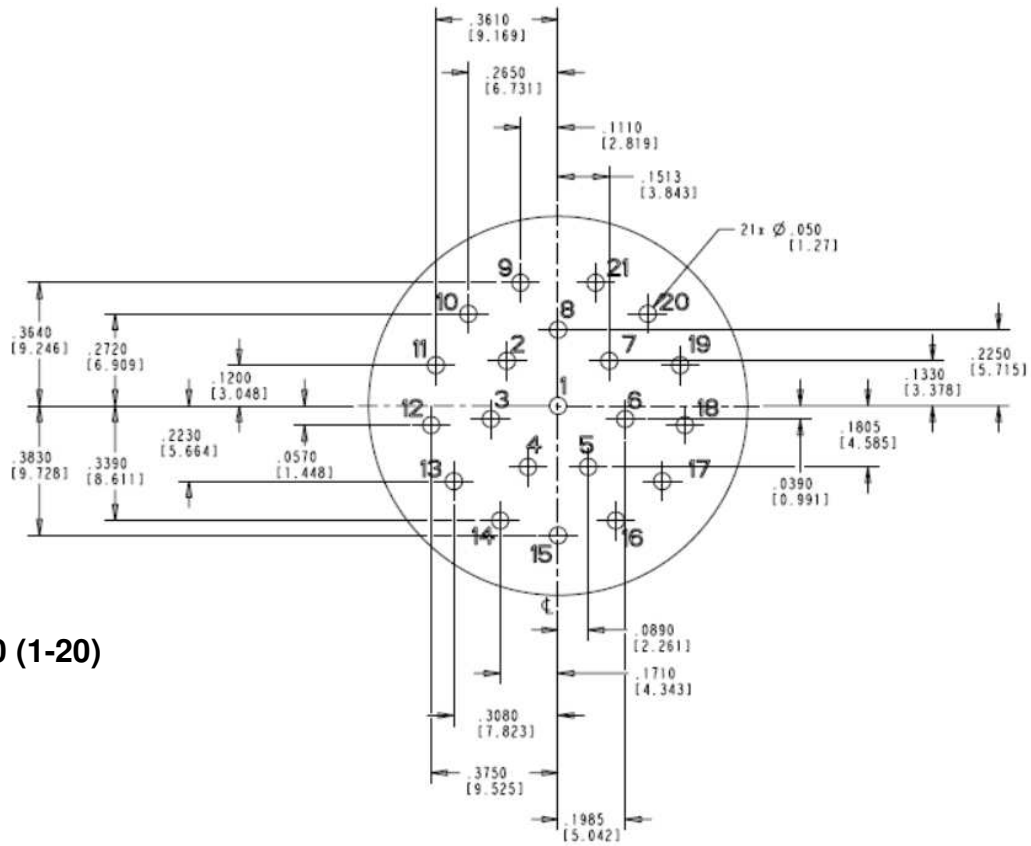
18-20
2 size 16 (3,6)

18 size 20

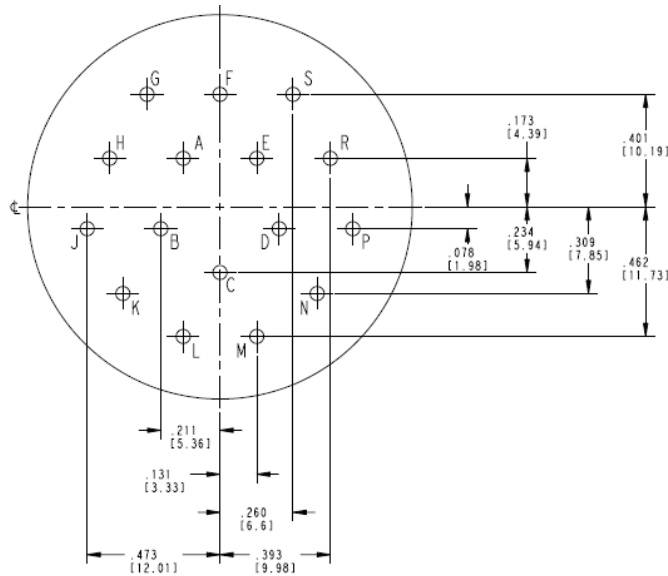


Hole location tolerance \pm .002 [.05]

5. PCB PIN LAYOUT (HD30 / HDP20) SIZE 18



18-21
21 size 20 (1-20)

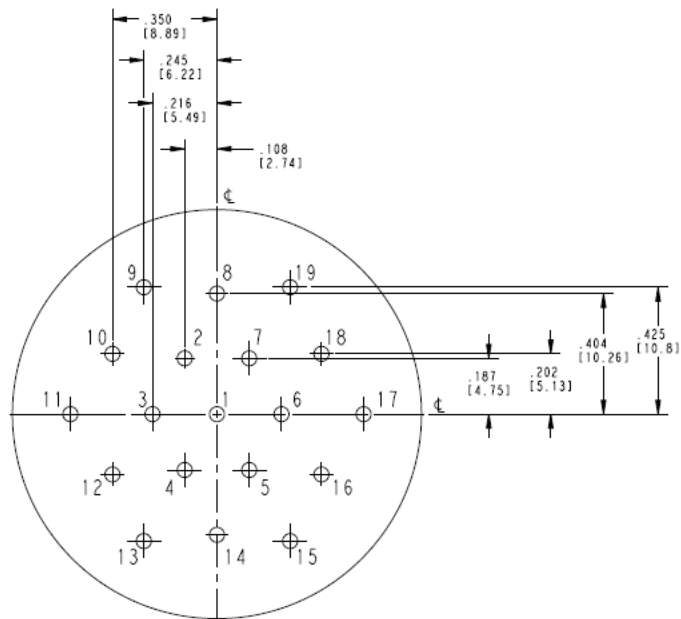


24-16
16 size 12 (A-S)

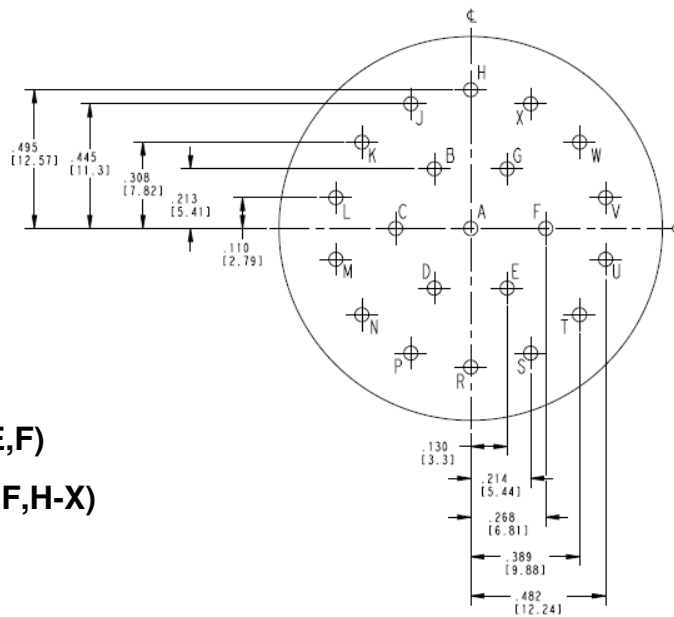


Hole location tolerance ± 0.002 [0.05]

6. PCB PIN LAYOUT (HD30 / HDP20) SIZE 24



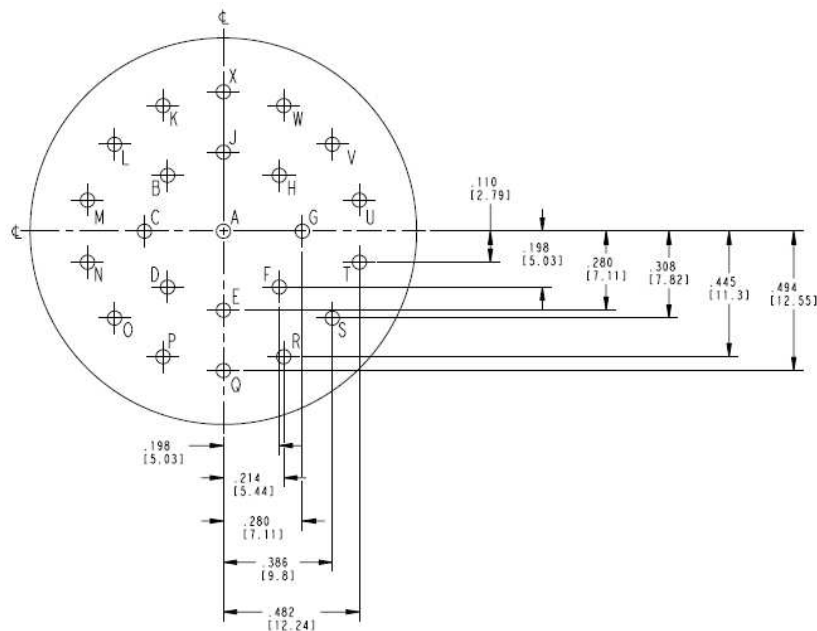
24-19
6 size 12 (8,10,12,14,16,18)
13 size 16 (1-7,9,11,13,15,17,19)



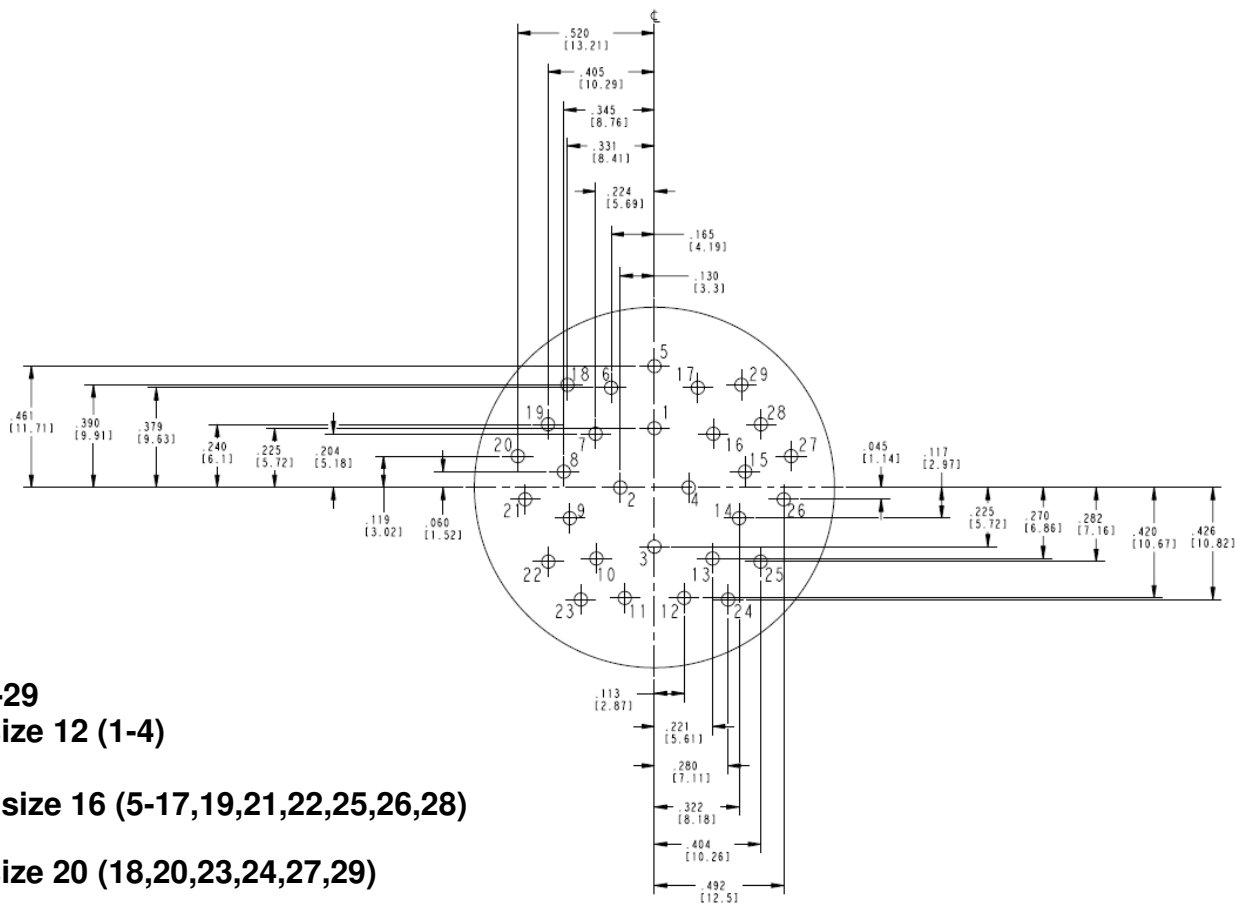
24-21
4 size 12 (B,D,E,F)
17 size 16 (A,C,F,H-X)

i Hole location tolerance ± 0.002 [.05]

7. PCB PIN LAYOUT (HD30 / HDP) SIZE 24



24-23
23 size 16 (A-X)



24-29
4 size 12 (1-4)

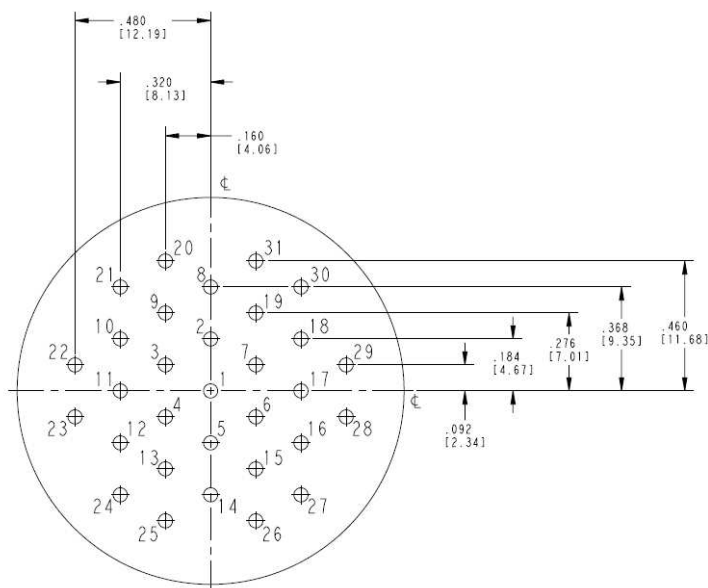
19 size 16 (5-17,19,21,22,25,26,28)

6 size 20 (18,20,23,24,27,29)

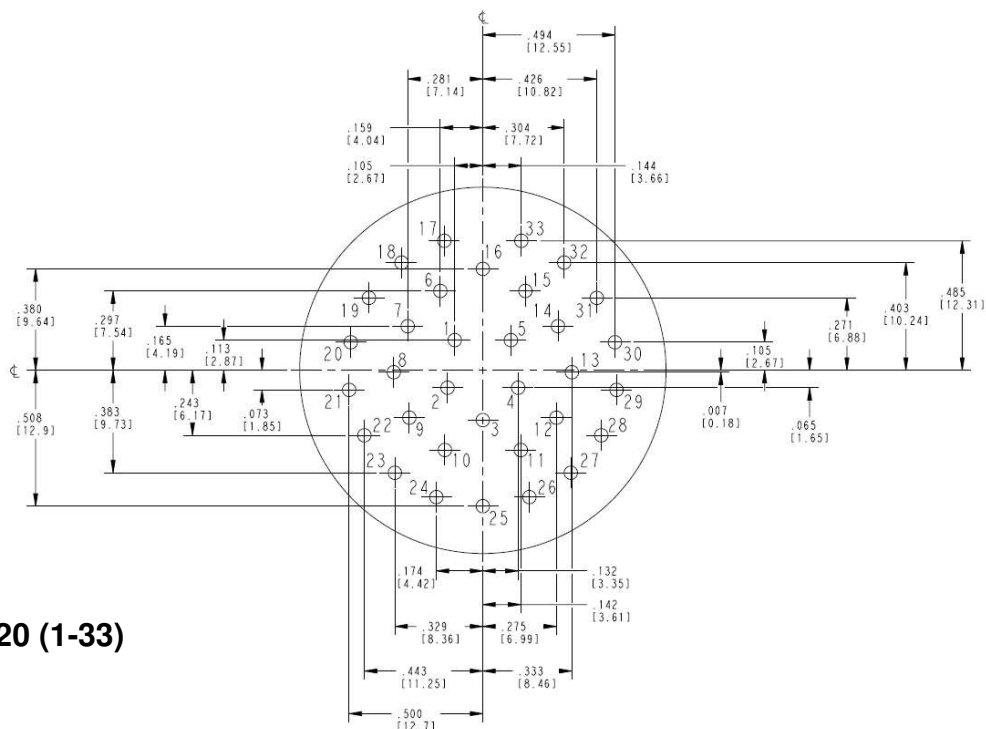


Hole location tolerance ± 0.002 [.05]

8. PCB PIN LAYOUT (HD30 / HDP) SIZE 24



24-31
31 size 16 (1-31)

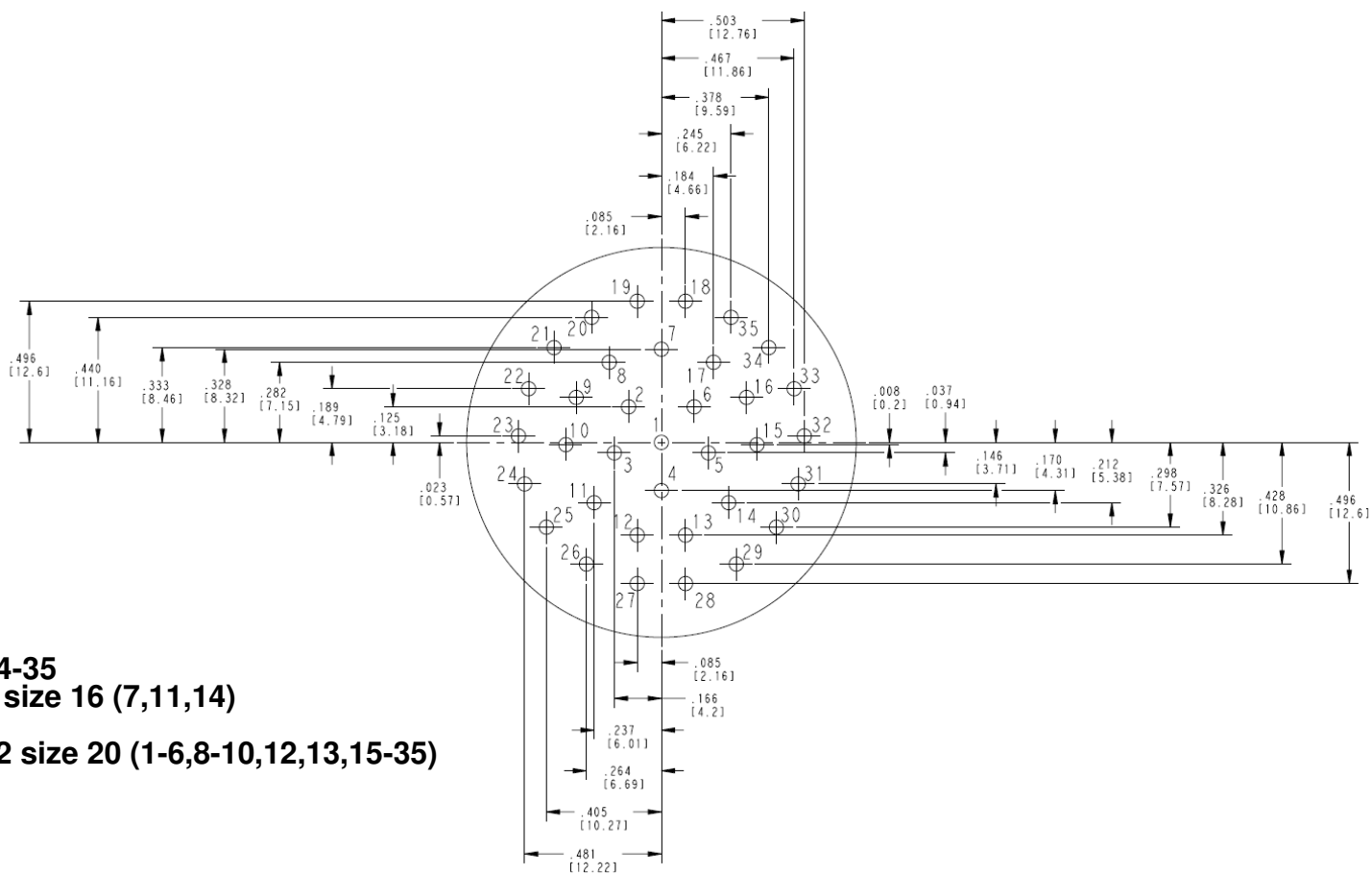


24-33
33 size 20 (1-33)



Hole location tolerance ± 0.002 [.05]

9. PCB PIN LAYOUT (HD30 / HDP) SIZE 24



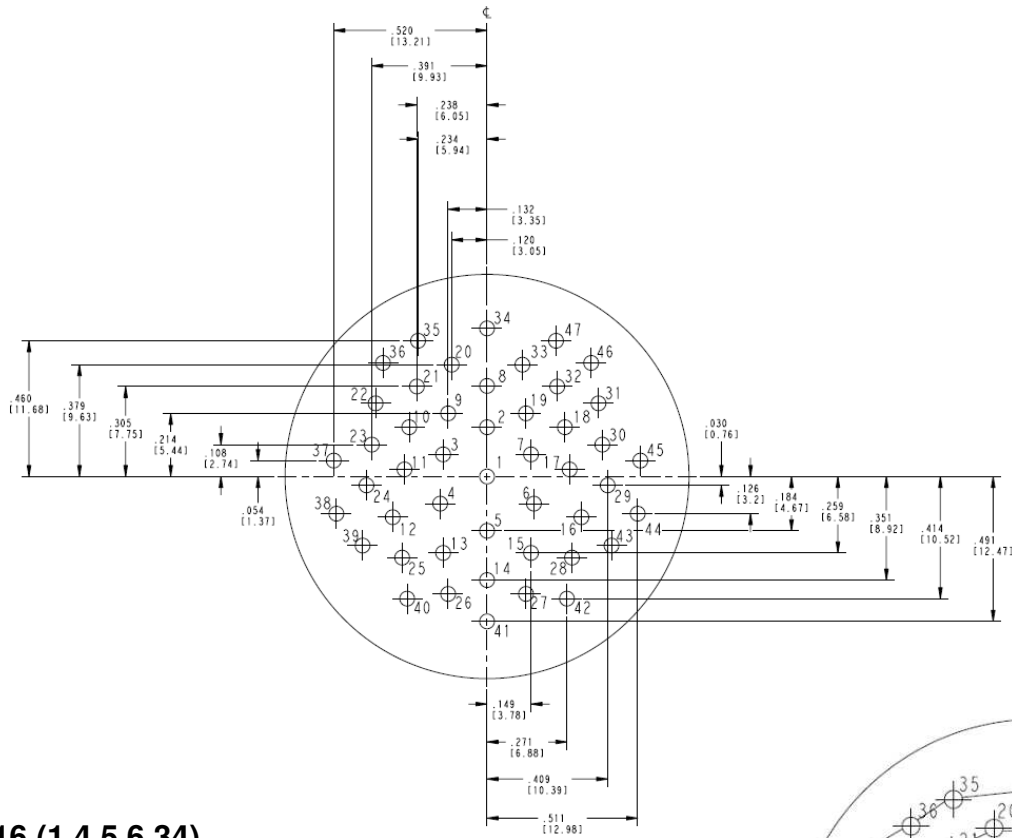
24-35
3 size 16 (7,11,14)

32 size 20 (1-6,8-10,12,13,15-35)



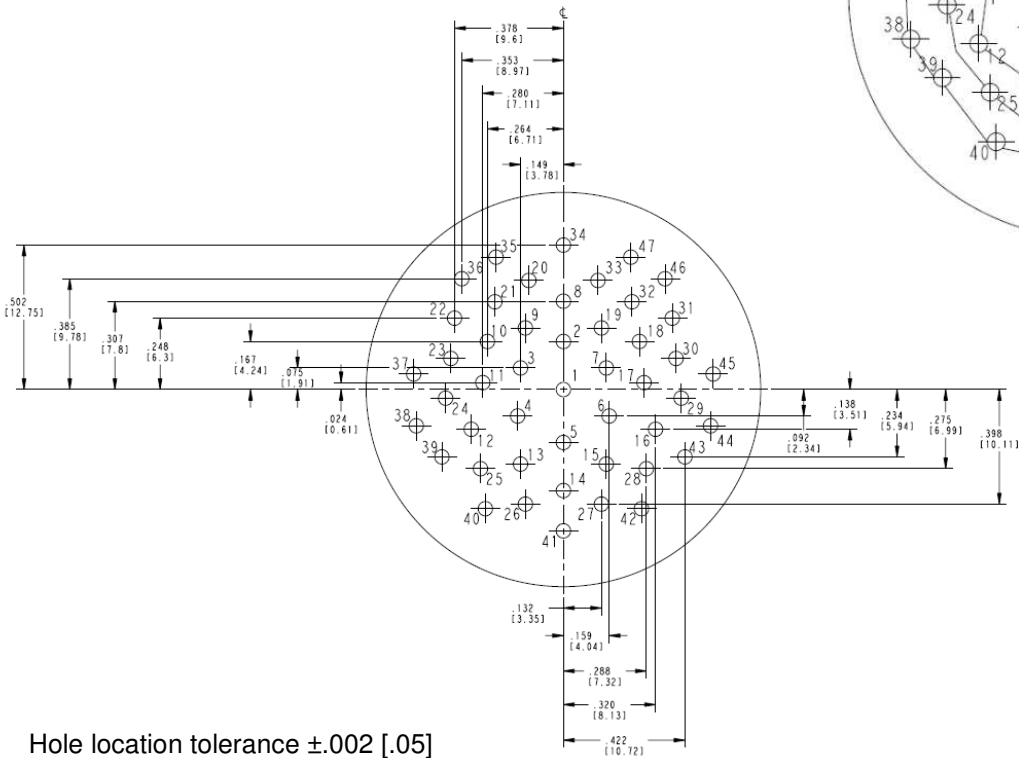
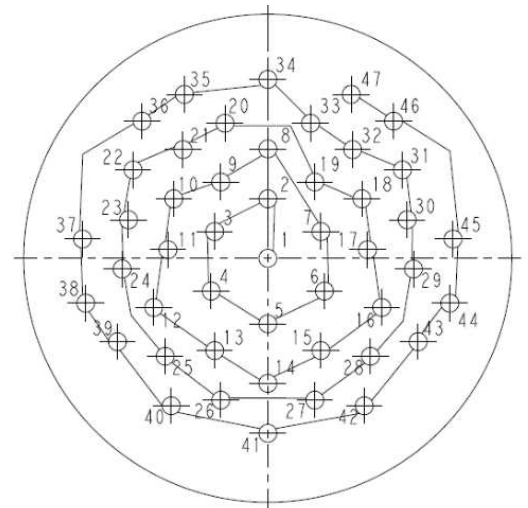
Hole location tolerance ± 0.002 [.05]

10. PCB PIN LAYOUT (HD30 / HDP) SIZE 24



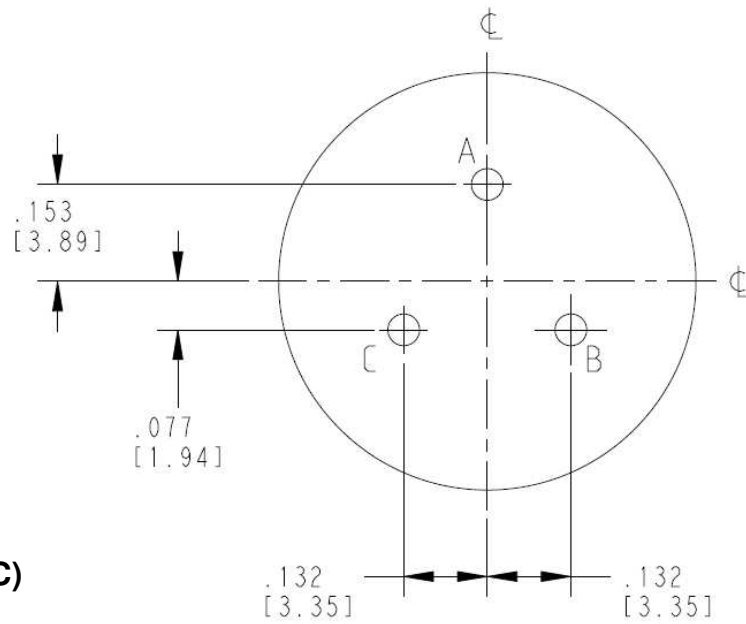
24-47
5 size 16 (1,4,5,6,34)

42 size 20 (2,3,7-33,35-42)

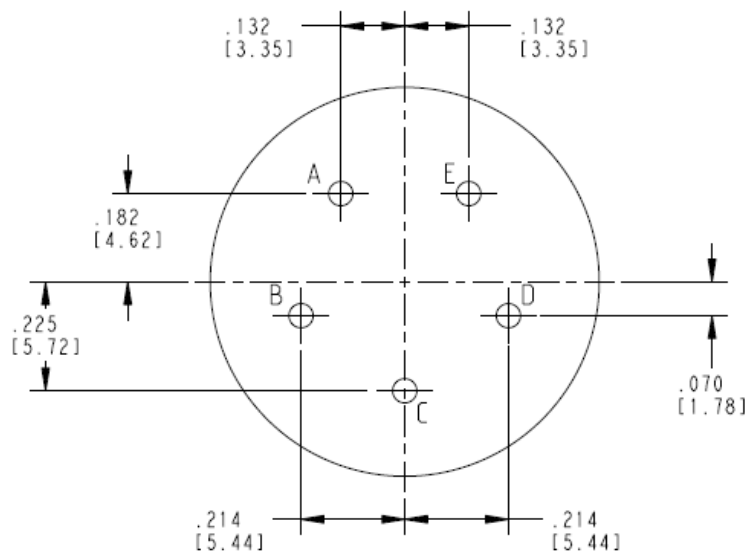


Hole location tolerance ± 0.002 [.05]

11. PCB PIN LAYOUT (HD10)



3-16
3 size 16 (A-C)



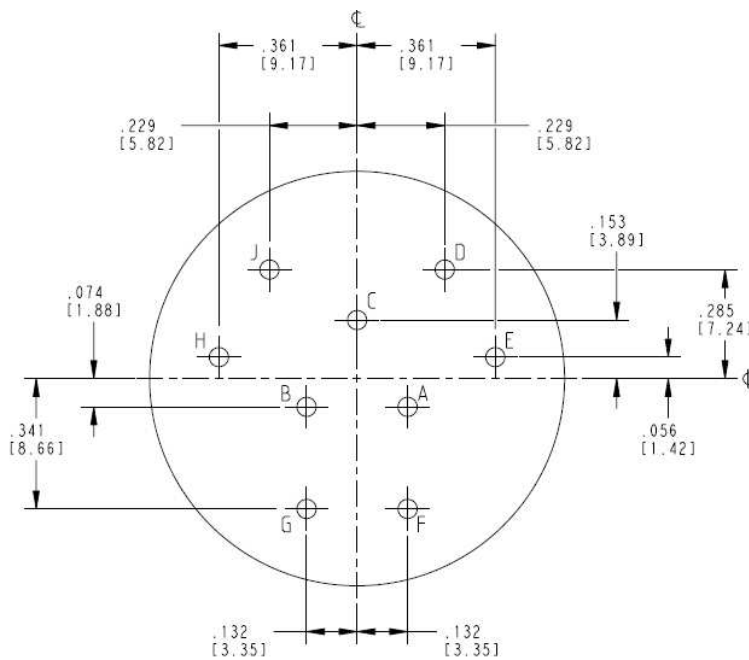
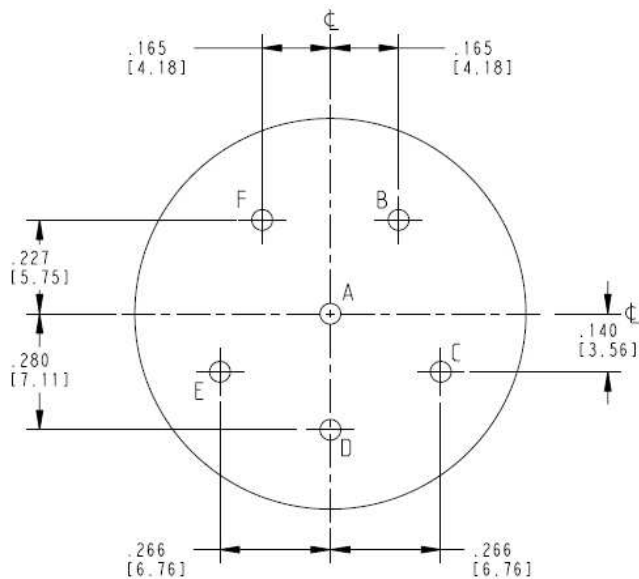
5-16
5 size 16 (A-E)



Hole location tolerance ± 0.002 [.05]

12. PCB PIN LAYOUT (HD10)

6-12
6 size 12 (A-F)
and
6-96
6 size 16 (A-F)



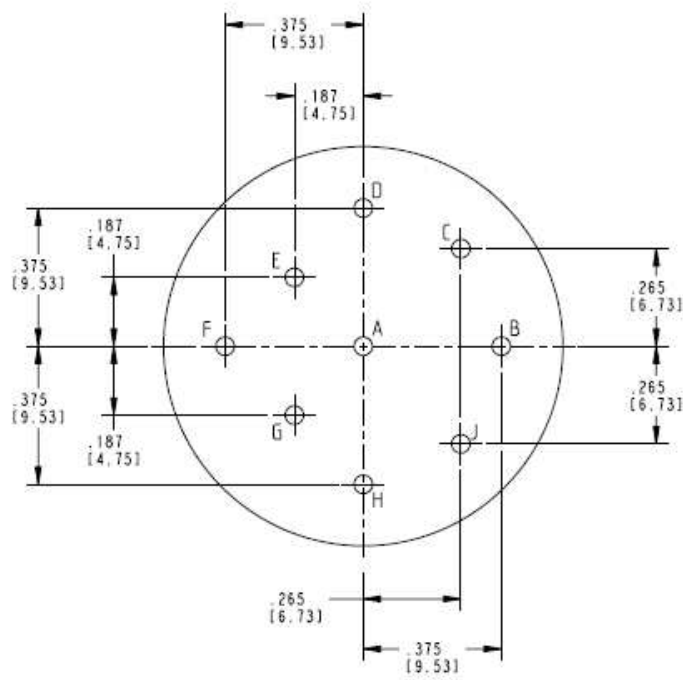
9-16
9 size 16 (A-J)



Hole location tolerance ± 0.002 [.05]

13. PCB PIN LAYOUT (HD10)

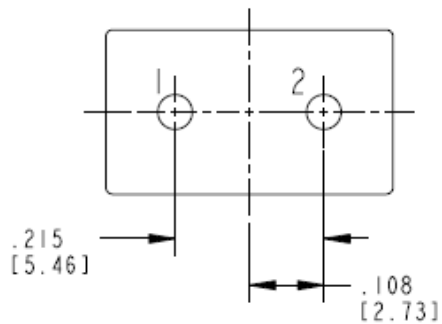
9-96
9 size 16 (A-J)



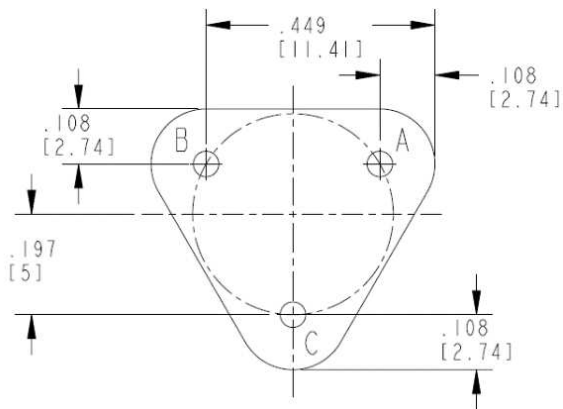
Hole location tolerance ± 0.002 [.05]

14. PCB PIN LAYOUT (DT)

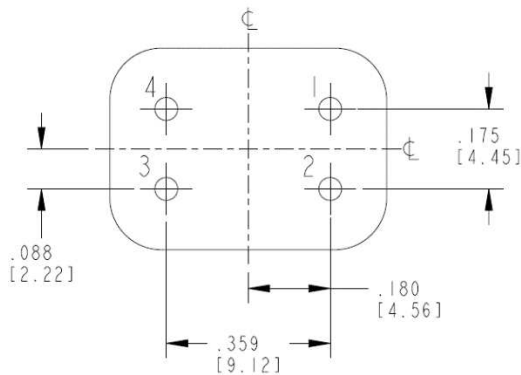
2-pin



3-pin



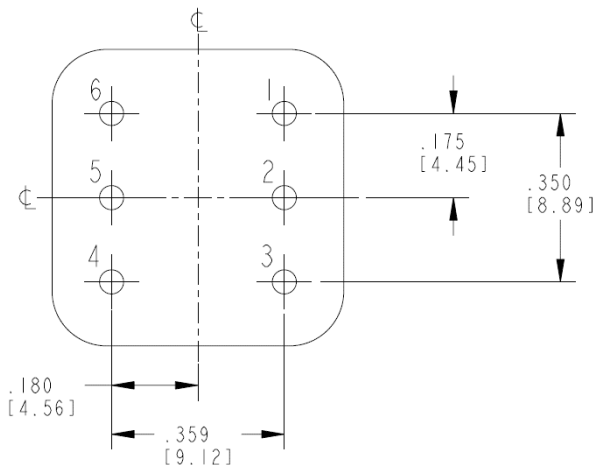
4-pin



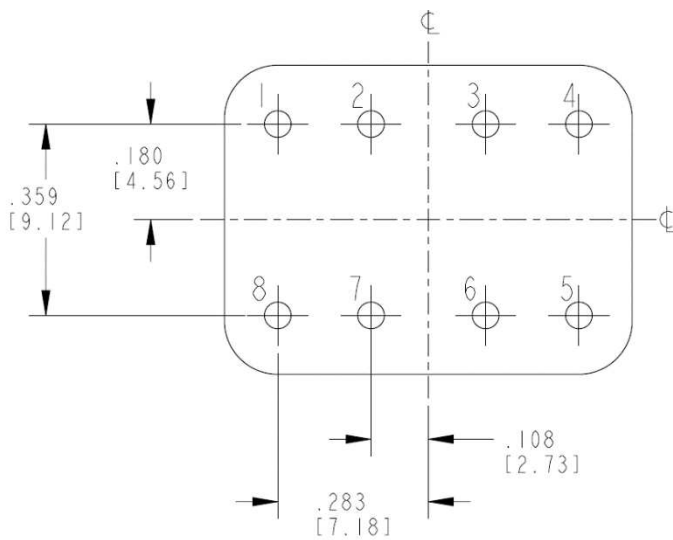
Hole location tolerance ± 0.002 [.05]

15. PCB PIN LAYOUT (DT)

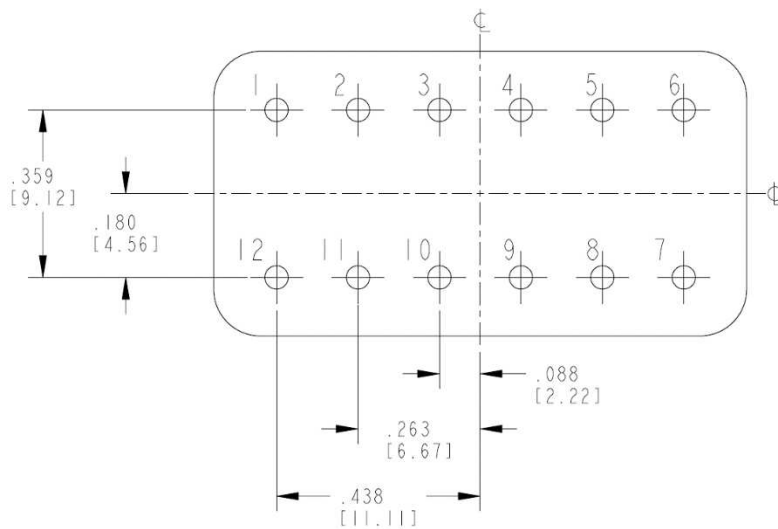
6-pin



8-pin



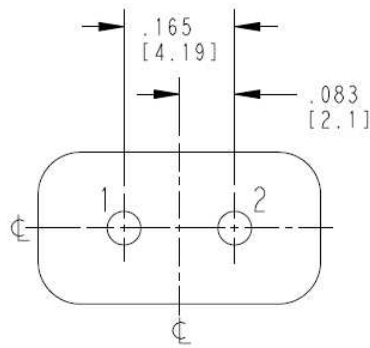
12-pin



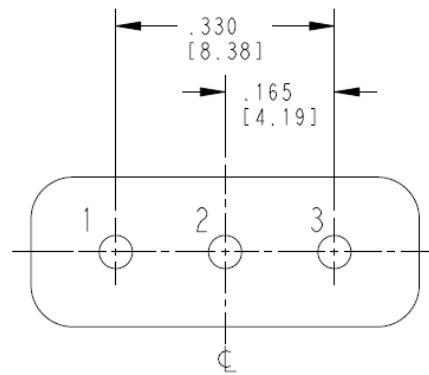
Hole location tolerance ± 0.002 [.05]

16. PCB PIN LAYOUT (DTM)

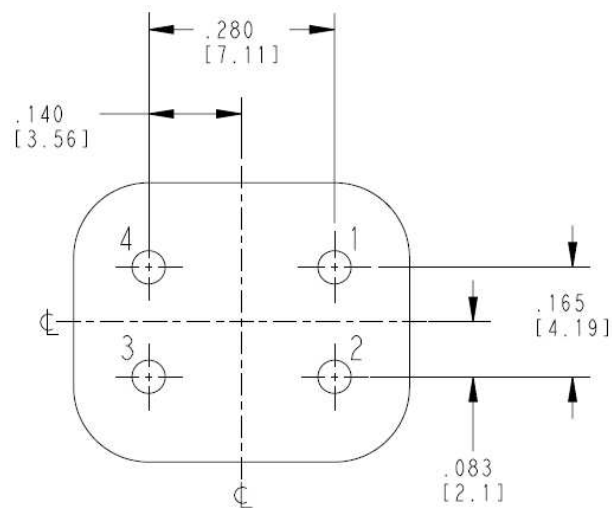
2-pin



3-pin



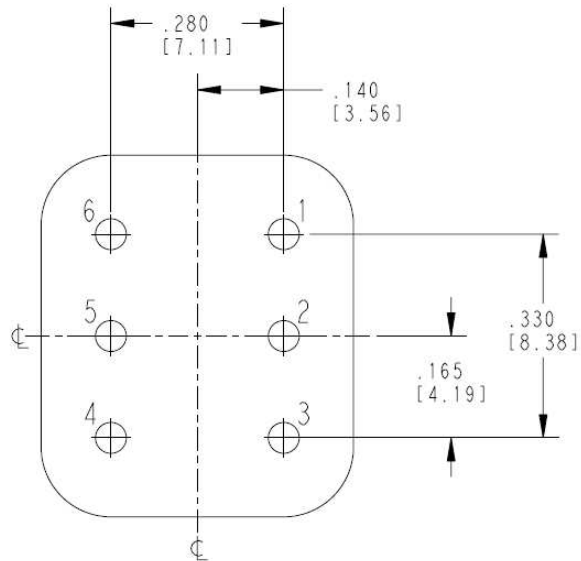
4-pin



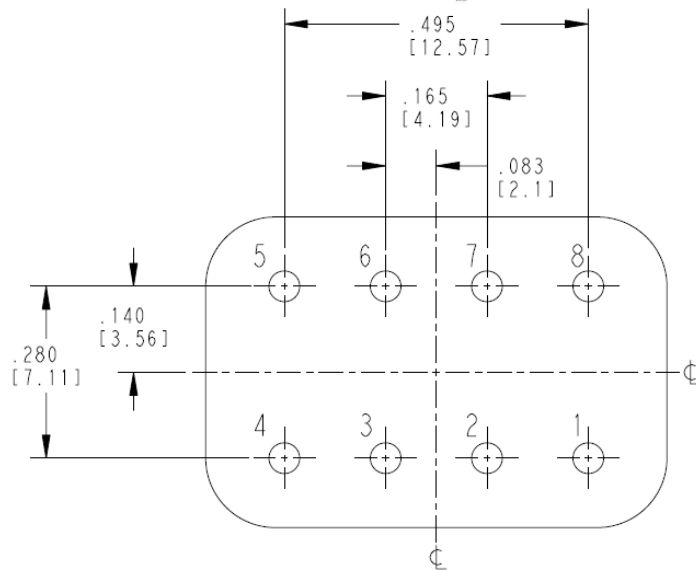
Hole location tolerance $\pm .002$ [.05]

17. PCB PIN LAYOUT (DTM)

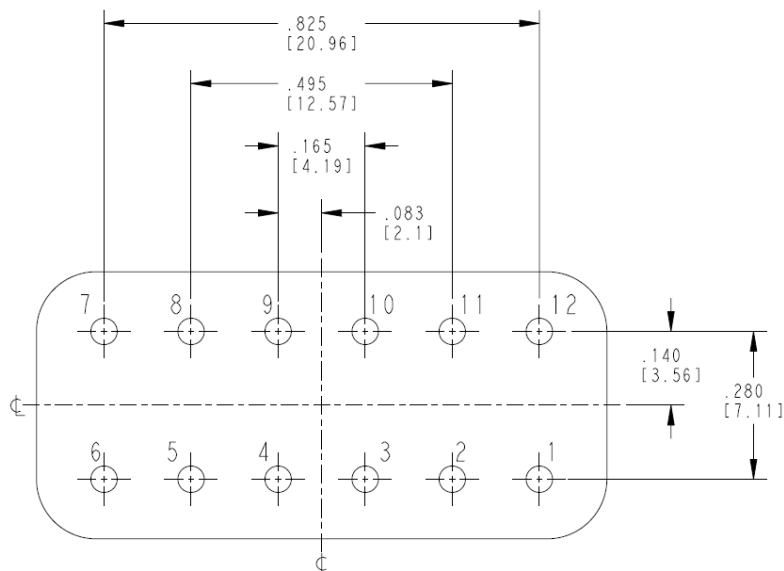
6-pin



8-pin



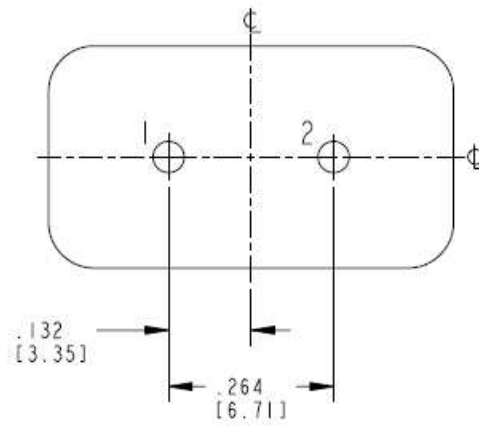
12-pin



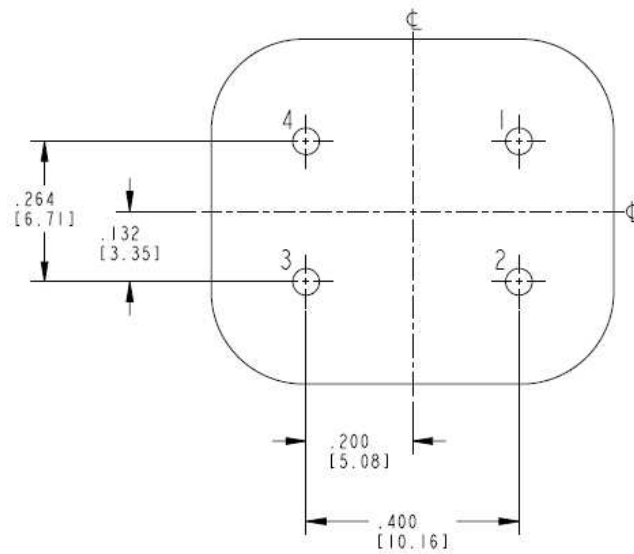
Hole location tolerance ± 0.002 [.05]

18. PCB LAYOUT (DTP)

2-pin



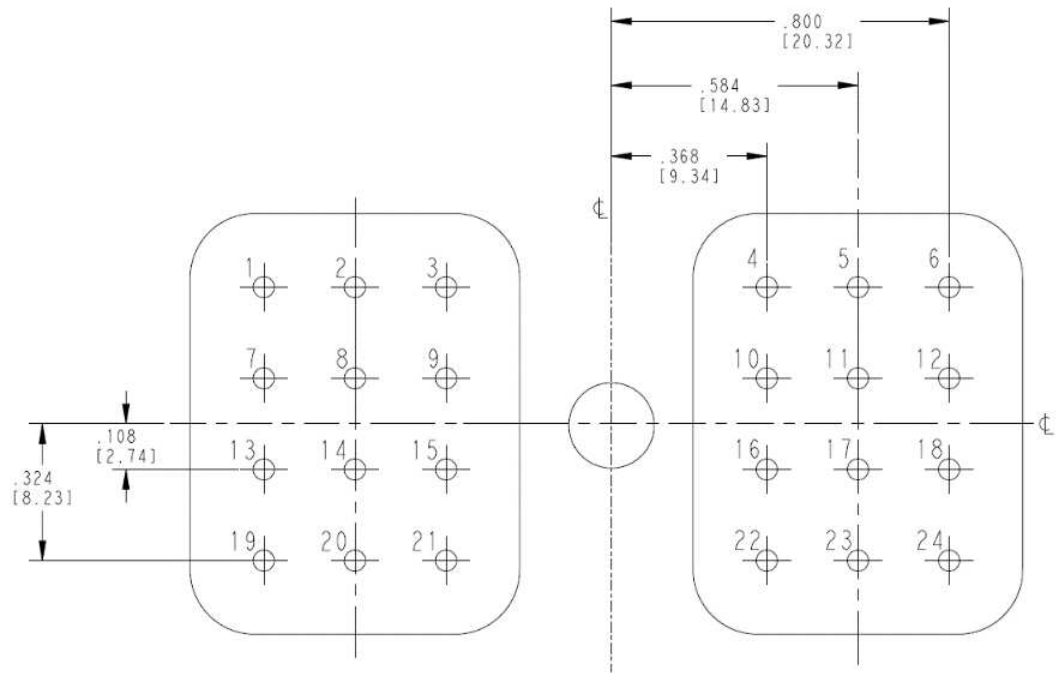
4-pin



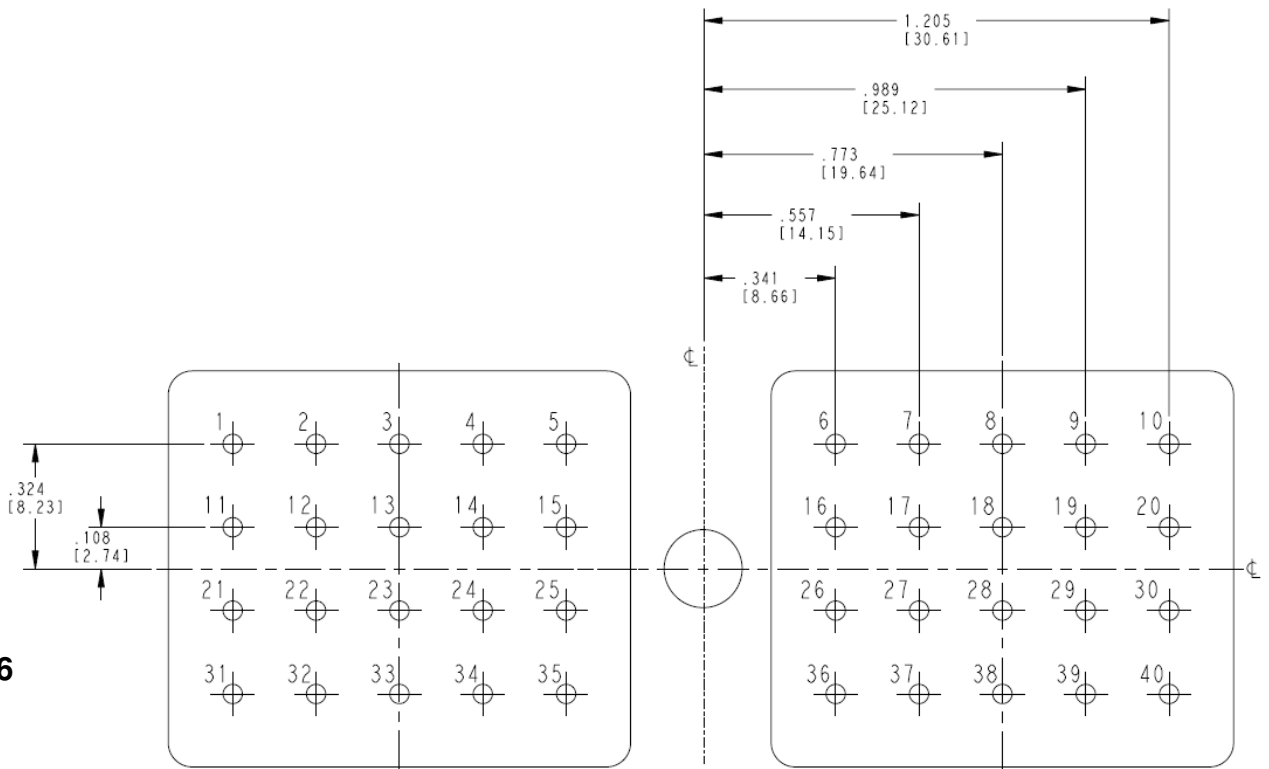
Hole location tolerance $\pm .002$ [.05]

19. PCB PIN LAYOUT (DRC16)

**24-pin
24 size 16**



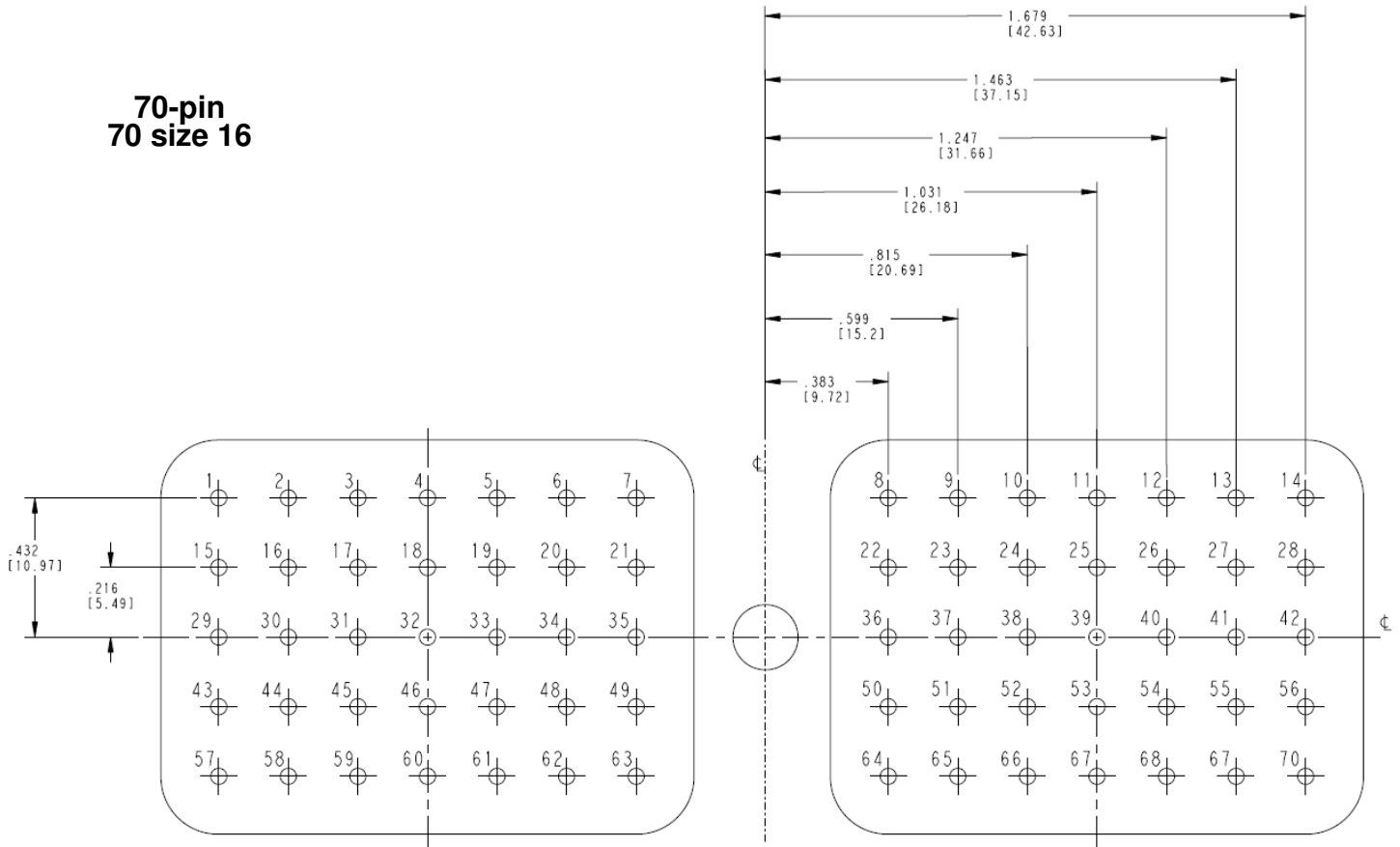
**40-pin
40 size 16**



Hole location tolerance ± 0.002 [.05]

20. PCB PIN LAYOUT (DRC16)

70-pin
70 size 16



21. REVISION HISTORY

Revision	Brief Description of Change	Date	Approver
A	Initial Release	2019-12-06	D. Meyer
B	Added PCB Pin Layouts	2020-06-24	D. Meyer