



**A-MP\* 3 POSITION  
AND 7 POSITION  
MINIATURE COAXICON\* CONNECTORS  
AND HARDWARE**

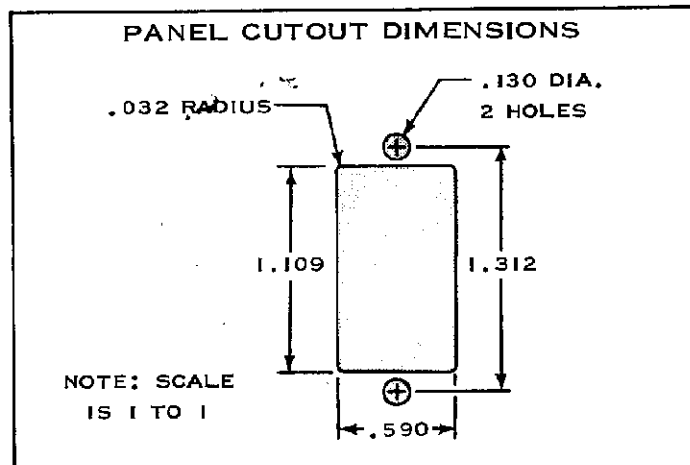
IS 1476	
RELEASED	5-17-62
REVISED	8-26-69

This Instruction Sheet covers both the 3 and 7 Position Miniature COAXICON Connectors and related hardware. Due to the many types and unlimited combinations of hardware that make up a Connector Assembly, the assembly numbers do not appear on this Sheet. The following information should serve as instructions for locating and assembling the various hardware used to make up a Connector Assembly.

### I. MALE AND FEMALE HOUSING

Male and Female Housings, as shown in Figure 2, are the basic parts of a Connector Assembly.

The Female Housing is normally used as the panel-mounted half with the Contacts flush with interface of Housing. Panel Cutout Dimensions are given in Figure 1. The Male Housing always contains the protruding Pin Contacts.



PART NO.	DESCRIPT.	COLOR	MATERIAL
50063-1	7 POS. MALE HOUSING	BLACK	GENERAL PURPOSE PHENOLIC
50063-2	7 POS. MALE HOUSING	BLUE	DIALLYL PHTHALATE
50064-1	7 POS. FEMALE HOUSING	BLACK	GENERAL PURPOSE PHENOLIC
50064-2	7 POS. FEMALE HOUSING	BLUE	DIALLYL PHTHALATE
51795-2	3 POS. MALE HOUSING	BROWN	GENERAL PURPOSE PHENOLIC
51794-2	3 POS. FEMALE HOUSING	BROWN	GENERAL PURPOSE PHENOLIC

FIG. 1

NOTE: The 3 Position Connectors accommodate two Miniature Contacts and one Standard Contact. The Male and Female Housings are available in various materials and colors. Figure 1 lists the parts numbers with the respective color and material for each.

### 2. CONTACTS

Miniature Contacts should be crimped as shown on AMP Instruction Sheet No. 1770. Crimp Standard Contacts (for the 3 Position Connector) as shown on AMP Instruction Sheet No. 1748. To insert Contacts into Housings, push Socket or Pin in Cavity as far as it will go. Pull back lightly on Wire to make sure that Socket or Pin is secured in Cavity. Extraction Tools to remove Sockets and Pins from Housings are available from AMP. Read Instruction Sheets listed above before using A-MP Extraction Tooling.

### 3. SHIELD AND CABLE CLAMP

The Shield and Cable Clamp is used to gather all Cables into one neat bundle as they enter the Male Housing. The Shield mechanically protects the individual Cables (terminated) when mounted in the Male Housing. Shield and Cable Clamps (see Figure 3) are available with the Cable Entrance and Clamp at 90° or 180° to the Contact Cavities. The maximum inside diameters (I.D.) for the Cable Clamps are given in Figure 3. Turnable Jack Screws cannot be used with a Shield and Cable Clamp unless noted otherwise in Figure 3. One piece Shields have flanges in the center with Threaded Holes for Screws, or Center Guide Pins or Sockets. Certain Connector applications may require limited clearance in the back of the Male Housing. Part Numbers, Descriptions and Clearance Dimensions may be found in Figure 3.

### 4. STRAIN RELIEF CLAMP

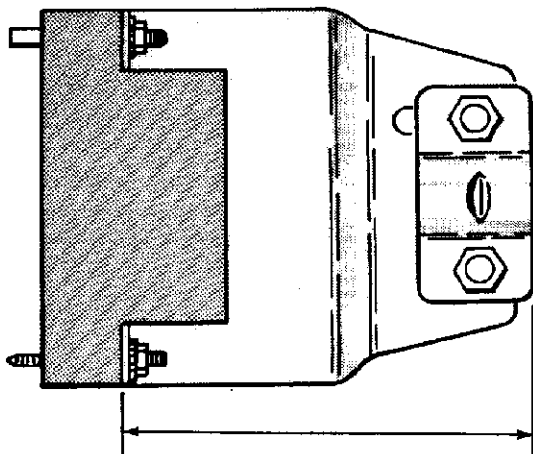
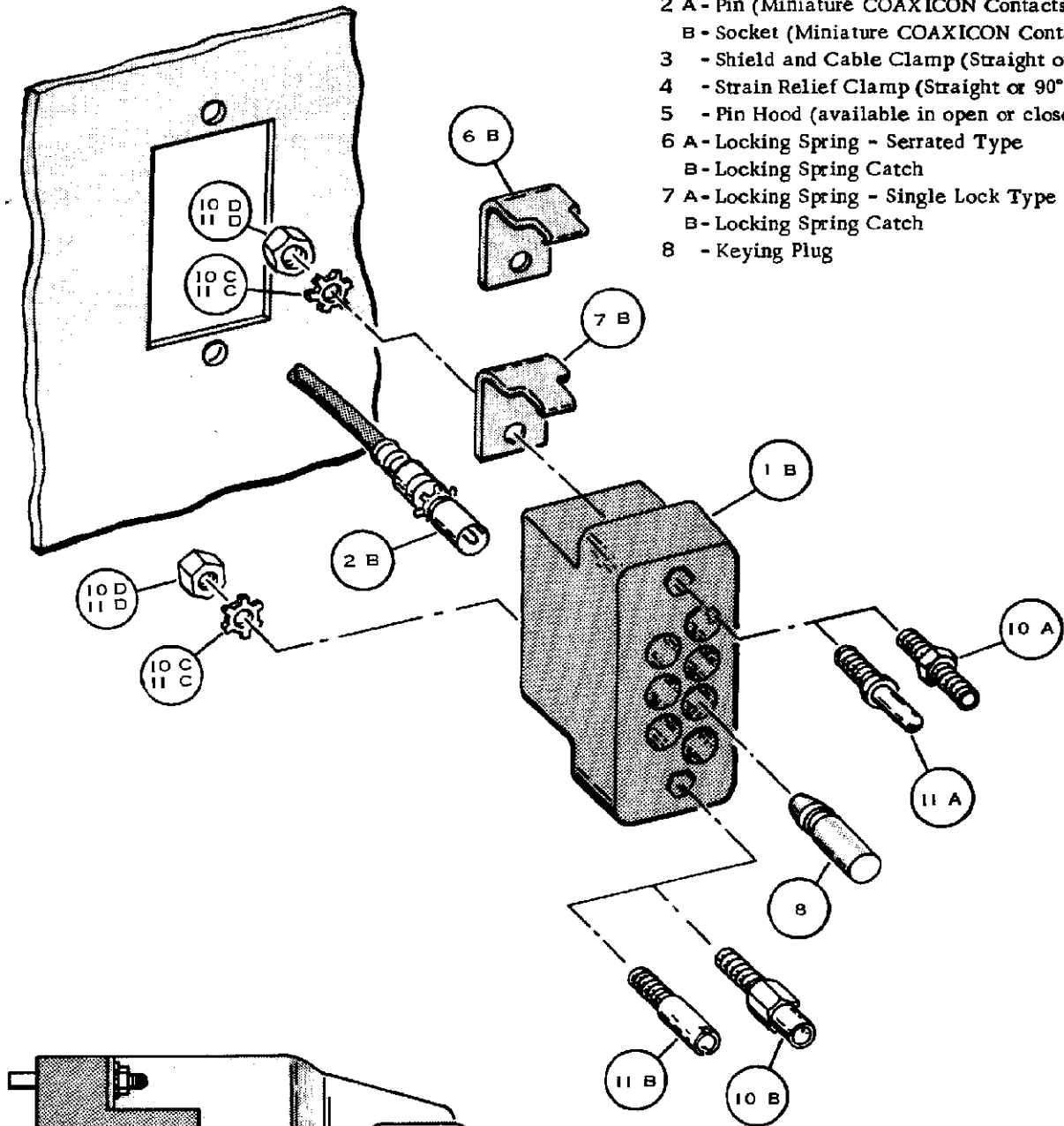
A Strain Relief Clamp may be used to gather and clamp all Cables into one bundle as they enter the back of the Male Housing. The clamped Cables eliminate excessive strain on terminated Contacts and Cables inserted in the Housing. Strain Relief Clamps may be used to bundle and clamp Cables at either 180° or 90° to the Contact Cavities. The Strain Relief Clamp is attached by Center Guide Pins and/or Sockets, Jack Screws or Standard Machine Screws. Strain Relief Clamps along with their Clearance Dimensions and Cable Clamp Dimensions are listed in Figure 3.

### 5. PIN HOOD

A Pin Hood is normally used on the Male Housing to protect the protruding Contacts. It is fastened to the Housing by Center Guide Pins and/or Sockets, Jack Screws or Standard Machine Screws. The PinHoods are available in either closed or open types and in different materials and finishes as listed in Figure 4.

© by AMP Incorporated, 1962, 1964.  
All international rights reserved. A-MP® products covered by U. S. and foreign patents and/or patents pending.

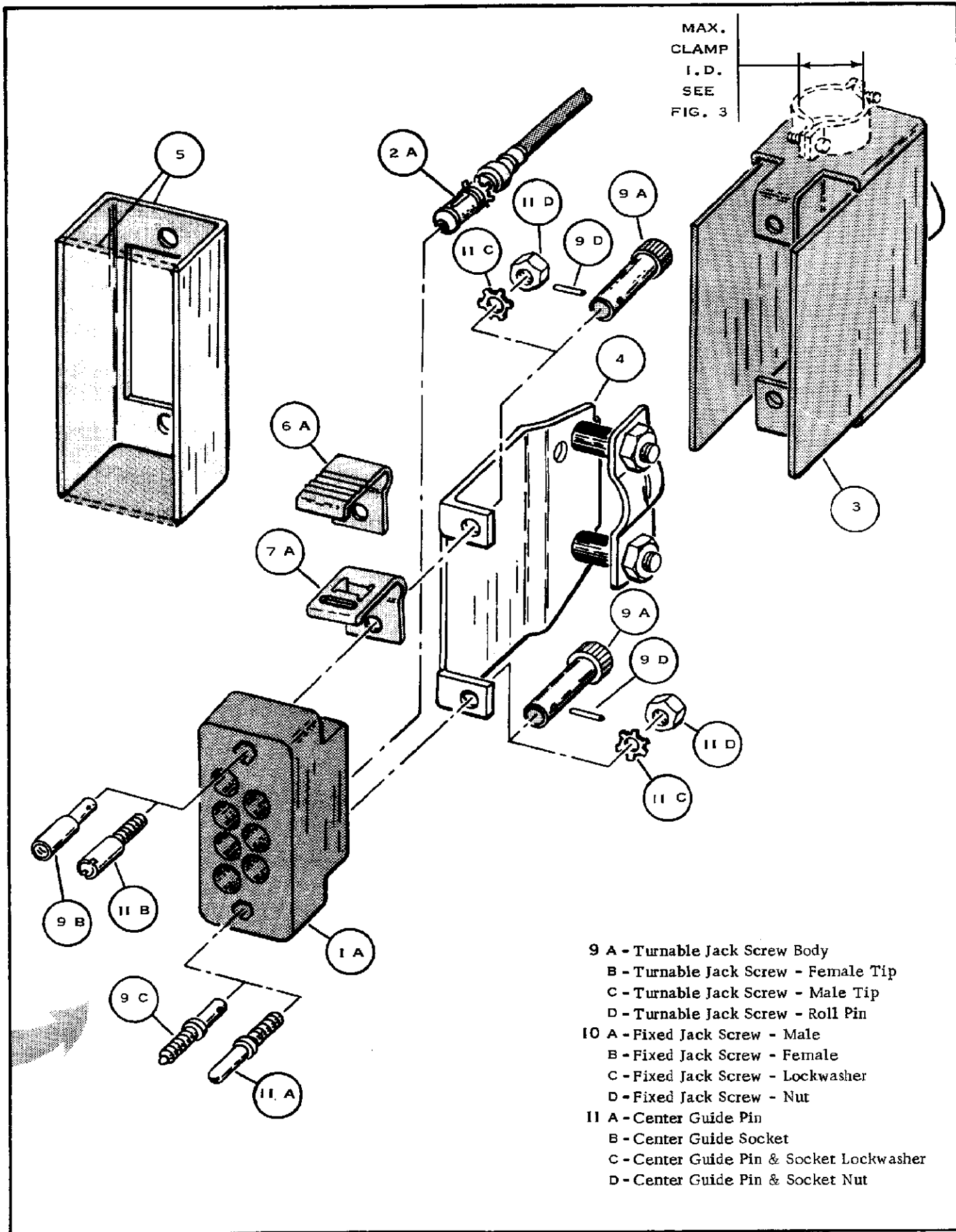
- 1 A - Male Housing
- B - Female Housing
- 2 A - Pin (Miniature COAXICON Contacts †)
- B - Socket (Miniature COAXICON Contacts †)
- 3 - Shield and Cable Clamp (Straight or 90°)
- 4 - Strain Relief Clamp (Straight or 90°)
- 5 - Pin Hood (available in open or closed style)
- 6 A - Locking Spring - Serrated Type
- B - Locking Spring Catch
- 7 A - Locking Spring - Single Lock Type
- B - Locking Spring Catch
- 8 - Keying Plug



CABLE CLAMP & STRAIN  
RELIEF CLAMP CLEARANCE  
DIMENSION  
(SEE FIGURE 3)

† Three Position Connector  
also accommodates one  
Standard Coaxicon Contact

FIG. 2



PART NUMBER	DESCRIPTION	NOM. CLEARANCE DIM. (SEE FIG. 2)	MAX. CLAMP I. D. OR DIM. (SEE FIG. 2)	FOR USE ON M- MALE F- FEMALE HOUSING
200514-1▲	SHIELD & CABLE CLAMP - 180° - 2 PIECE (ANODIZED ALUMINUM)	$1 \frac{25}{32}$	$\frac{13}{32}$	M
200514-2▲	SHIELD & CABLE CLAMP - 180° - 2 PIECE (CADMIUM PLATED STEEL)	$1 \frac{25}{32}$	$\frac{13}{32}$	M
201382-2	SHIELD & CABLE CLAMP - 180° - 1 PIECE COMB. PIN HOOD (CADMIUM PLATED STEEL)	$1 \frac{47}{64}$	$\frac{11}{32}$	F & M
201169-2	SHIELD & CABLE CLAMP - 180° - 1 PIECE (CADMIUM PLATED STEEL)	$1 \frac{47}{64}$	$\frac{11}{32}$	F & M
200488-2	SHIELD & CABLE CLAMP - 90° - 1 PIECE COMB. PIN HOOD (CADMIUM PLATED STEEL)	$1 \frac{13}{16}$	$\frac{11}{32}$	F & M
201468-2	SHIELD & CABLE CLAMP - 90° - 1 PIECE (CADMIUM PLATED STEEL)	$1 \frac{13}{16}$	$\frac{11}{32}$	F & M
201845-1	STRAIN RELIEF CLAMP - 90° OR 180° (CADMIUM PLATED STEEL)	$180^\circ - 2 \frac{1}{8}$ $90^\circ - 2 \frac{47}{64}$	$\frac{23}{32} \times \frac{13}{32}$	F & M
201229-1	STRAIN RELIEF CLAMP - 90° OR 180° (CADMIUM PLATED STEEL)	$180^\circ - 1 \frac{1}{4}$ $90^\circ - 2 \frac{1}{32}$	$\frac{23}{32} \times \frac{13}{32}$	M

▲ USE LONG TURNABLE JACK SCREWS.

FIG. 3

PART NUMBER	TYPE	MATERIAL AND FINISH
201349-2	CLOSED	ALUMINUM-IRIDITE
201785-2	OPEN	ALUMINUM-ANODIZED
201785-4	OPEN	STEEL-CAD. PL.

FIG. 4

## 6. LOCKING SPRING AND CATCH

A Locking Spring and Catch are used at both ends of the Male and Female Housing to lock both halves in position. Jack Screws are not necessary if Locking Springs and Catches are used. Locking Springs are available in two types - serrated (Part No. 201923-1) and single lock type (Part No. 201674-1). The mating Catches are Part No. 201924-1 and 201675-1 respectively. This hardware is mounted to the Male and Female Housings with Center Guide Pins and/or Sockets.

## 7. KEYING PLUG

Keying Plug No. 329382 is used with the Miniature COAXICON Connectors as a keying feature for mating Housings and also

to provide polarization. It may be used in any Male or Female Housing Cavity for this purpose. Use of this Plug eliminates a Contact Position in the Connector.

## 8. JACK SCREWS

Jack Screws are used to engage and separate mating Housings. They are available as turnable or fixed type in various materials, finishes, lengths and configurations. The most common application is a set of Turnable Jack Screws on the Male Housing used with mating Fixed Jack Screws on the Female Housing. Jack Screws are not required when Locking Springs and Catches are used. A complete list of Jack Screws available for Miniature COAXICON Connectors may be found in Figure 5.

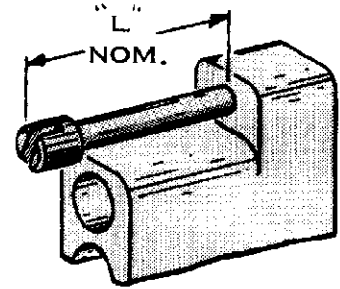
## 9. GUIDE PINS AND SOCKETS



Guide Pins and Sockets serve as an alignment feature for the Mating Housings. As indicated in Figure 6, Center Guide Pins and Sockets are available for the Center Mounting Holes of Housings. Guide Pins and Sockets are available in various materials and finishes as listed in Figure 6.

MATERIAL & FINSH SPECIFICATIONS-TURNABLE & FIXED JACK SCREWS

JACK SCREW LENGTH	L NOM.
SHORT-SHORT	9/16
SHORT	1 7/64
LONG	1 45/64

TURNABLE JACK SCREWS



PART NO.	DESCRIPTION	MALE (M) FEMALE (F)	DESCRIPTION	
			 BODY	 (M) TIP (F)
200867-1*	LONG	F	CP - BRASS	SS - PASSIVATED
200867-2*	LONG	F	CP - BRASS	CP - COLD ROLLED STEEL
200868-1	SHORT	M	CP - BRASS	SS - PASSIVATED
200868-2	SHORT	M	CP - BRASS	CP - COLD ROLLED STEEL
200870-1	SHORT	F	CP - BRASS	SS - PASSIVATED
200870-2	SHORT	F	CP - BRASS	CP - COLD ROLLED STEEL
200871-1*	LONG	M	CP - BRASS	SS - PASSIVATED
200871-2*	LONG	M	CP - BRASS	CP - COLD ROLLED STEEL
201386-1*	SHORT-SHORT	M	SS - PASSIVATED †	SS - PASSIVATED
201388-2*	SHORT-SHORT	M	SS - PASSIVATED †	CP - COLD ROLLED STEEL
201389-1*	SHORT-SHORT	F	SS - PASSIVATED †	SS - PASSIVATED
201389-2*	SHORT-SHORT	F	SS - PASSIVATED †	CP - COLD ROLLED STEEL
202200-1	LONG	F	CP - BRASS	SS - PASSIVATED
202201-1	LONG	M	CP - BRASS	SS - PASSIVATED

\*USED FOR ONE 20 GA. METAL THICKNESS (STRAIN RELIEF CLAMP , PIN HOOD & SHIELD & CABLE CLAMP)  
†HEX TYPE JACK SCREW

FIXED JACK SCREWS		
PART NUMBER	M - F	DESCRIPTION
200874-1	M	SS - PASSIVATED
200874-2	M	CP - COLD ROLLED STEEL
200875-1	F	SS - PASSIVATED
200875-2	F	CP - COLD ROLLED STEEL

CP - CADMIUM PLATED  
SS - STAINLESS STEEL

FIG. 5

GUIDE PIN PART NO.	GUIDE SOCKET PART NO.	TYPE	MATERIAL & FINISH
200389-2	200390-2	CENTER	STAINLESS STEEL
200389-4	200390-4	CENTER	BRASS-CADMIUM PLATED

FIG. 6