

Blank Duct Plugs

ENERGY DIVISION

Safety Instructions

⚠ DANGER When installing electrical power system accessories, failure to follow applicable personal safety requirements and written installation instructions could result in fire or explosion and serious or fatal injuries.

⚠ DANGER As Tyco Electronics has no control over field conditions which influence product installation, it is understood that the user must take this into account and apply his own experience and expertise when installing product.

⚠ DANGER Working around energized high-voltage systems may cause serious injury or death. Installation should be performed by personnel familiar with good safety practice in handling high-voltage electrical equipment. De-energize and ground all electrical systems before installing product.

⚠ DANGER Power distribution and transmission products must be properly selected for the intended application. It must be installed and serviced by competent personnel who have been trained and understand proper safety procedures. These instructions are written for such personnel and are not a substitute for adequate training and experience in safety procedures.

Suggested Installation Equipment (not supplied with kit)

- Screwdriver for plastic eye

Safety Instructions

⚠ CAUTION Read and understand the contents of these instructions before installation and follow all locally approved procedures and safety practices before installing or operating this equipment

⚠ CAUTION These instructions cannot cover all details or variations in the equipment, procedures, or processes described, nor provide directions for meeting every possible contingency during installation, operation, or maintenance. When additional information is desired to satisfy a problem not covered sufficiently for the user's purpose, please contact your Tyco Electronics sales representative. These instructions are not intended to supersede or replace existing safety and operating procedures.

NOTICE Upon receipt of a product, inspect it thoroughly for damage and loss of parts incurred during shipment. If damage or loss is discovered, file a claim with the carrier immediately or contact your Tyco Electronics representative.

Customer Service

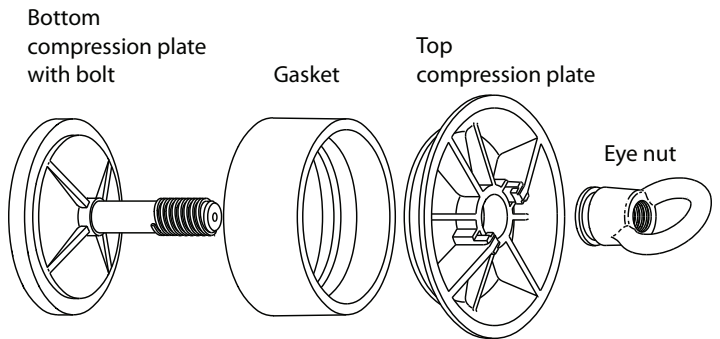
For 24 hour customer service, call 800-327-6996.

Kit Contents

- Plastic top and bottom compression plates
- Plastic eye nut or hex nut
- Rubber gasket

Table 1: Selecting a Blank Plug

| Catalog Number | Plug Dia. | Duct ID Inch | Duct ID mm | Std Pack |
|------------------|-----------|--------------|---------------|----------|
| RBDP-BLA-10D104U | 1.00 | 0.96 - 1.16 | 24.4 - 29.5 | 12 |
| RBDP-BLA-12D148U | 1.25 | 1.14 - 1.48 | 29.0 - 37.6 | 12 |
| RBDP-BLA-15D183U | 1.50 | 1.49 - 1.83 | 37.8 - 46.5 | 12 |
| RBDP-BLA-20D236U | 2.00 | 1.83 - 2.36 | 46.5 - 59.9 | 12 |
| RBDP-BLA-30D346U | 3.00 | 2.99 - 3.46 | 75.9 - 87.9 | 12 |
| RBDP-BLA-40D402U | 4.00 | 3.94 - 4.17 | 100.0 - 105.9 | 8 |
| RBDP-BLA-50D535U | 5.00 | 5.00 - 5.35 | 127.0 - 135.9 | 8 |
| RBDP-BLA-60D637U | 6.00 | 5.82 - 6.17 | 147.8 - 161.8 | 8 |
| RBDP-BLA-80D816U | 8.00 | 7.83 - 8.27 | 198.9 - 210.1 | 8 |

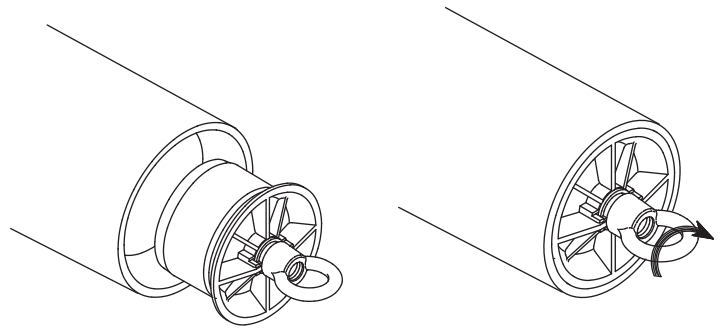


NOTICE

When selecting a Blank Plug, determine the minimum internal diameter of the duct or bore and select the correct plug from the range. Some ducts quoted may provide nominal I.D., such as 100 mm; actual minimum I.D. may be only 98 mm.

Installation Instructions

1. Wipe pipe clean with cloth.
2. Back off eye nut enough to relieve any pressure on gasket.
3. Insert duct plug into duct until gasket is completely inside of duct.
4. For eye nut: Hold top plate flat against pipe and tighten eye nut until 1 to 3 threads show on bolt through eye nut.
Duct plugs fit a range of pipe sizes; tightness will vary dependant upon pipe ID within plug ranges.
5. Hand tighten, and then use a screwdriver through eye nut if additional tightening is required.



Blank Duct Plug Tightening Ranges

| Duct ID | Thread Exposure |
|----------------------|---|
| 1 inch or less | Bolt is flush to 1/2 thread exposed above eye nut flange. |
| 2 inches to 8 inches | Bolt has 1 to 3 threads exposed above eye nut flange, depending upon duct ID range. |

Example: 40D402U with 3.94" duct ID (1 to 1-1/2 threads exposed)
40D402U with 4.17" duct ID (2 to 3 threads exposed)

The Information contained in these installation instructions is for use only by installers trained to make electrical power installations and is intended to describe the correct method of installation for this product. However, Tyco Electronics Corporation has no control over the field conditions which influence product installation. It is the user's responsibility to determine the suitability of the installation method in the user's field conditions. Tyco Electronics' only obligations are those in Tyco Electronics' standard Conditions of Sale for this product and in no case will Tyco Electronics be liable for any other incidental, indirect or consequential damages arising from the use or misuse of the products.

TE (logo) and Tyco Electronics are trademarks. Copyright 2007, 2010 Tyco Electronics Corporation. All Rights Reserved.