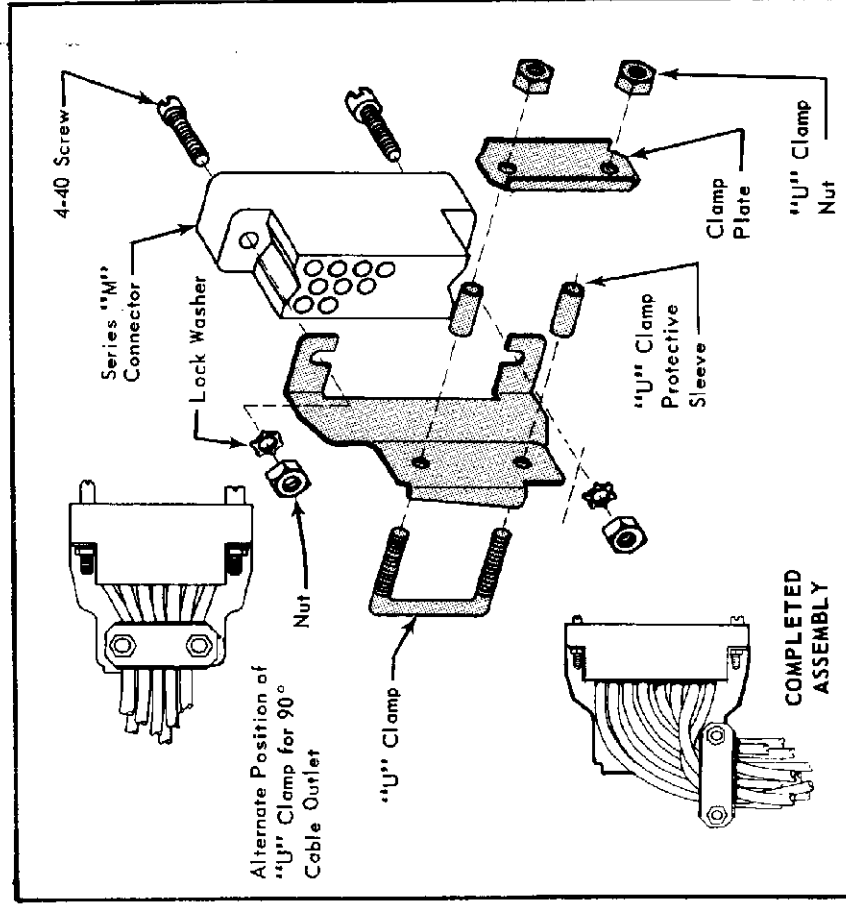




AMP INCORPORATED
HARRISBURG, PENNA.

A-MP* STRAIN RELIEF CLAMP
FOR 14, 20, & 26 POSITION
SERIES "M" CONNECTORS

IS-1313
REL. 3/15/61
REV. 4/21/64



ASSEMBLY INSTRUCTIONS

1. Attach Strain Relief Assembly to Connector using A-MP Guide Pins, 4-40 X 3/8 Fillister Head Screws with Nuts and Lock Washers.

NOTE: See AMP Instruction Sheet No. 7054 for selection and use of Guide Pins and Sockets.

2. Bundle Cable so that it will pass thru "U" Clamp.
3. Assemble Clamp as shown.
4. Tighten "U" Clamp Nuts.

*Trademark of AMP Incorporated

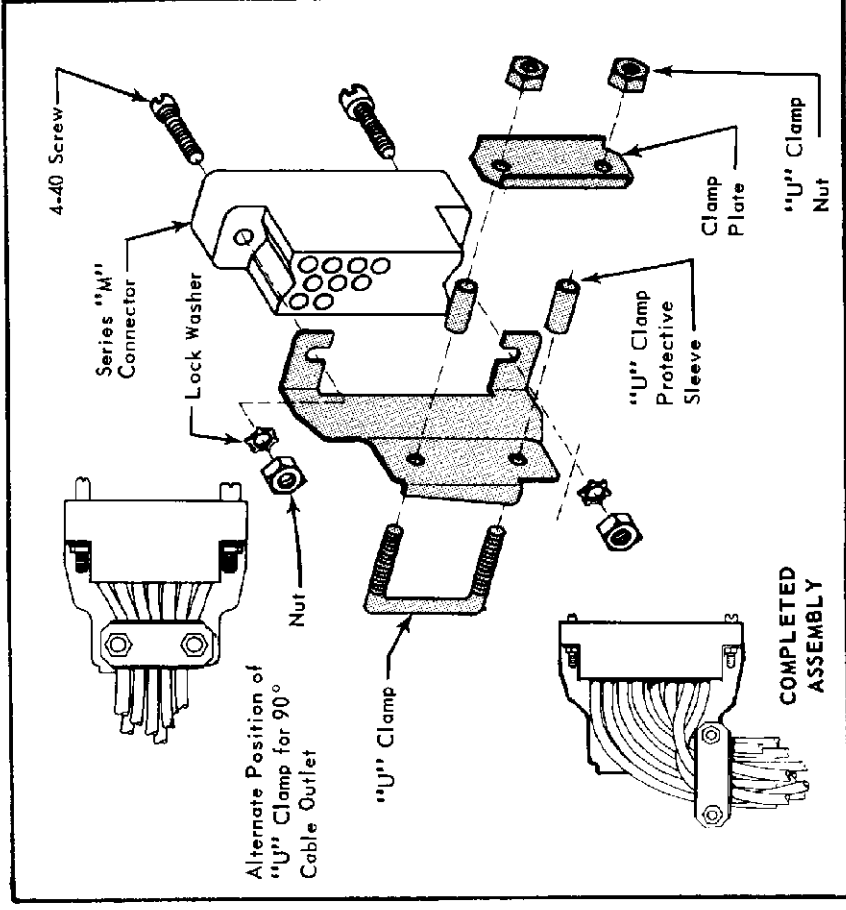
STRAIN RELIEF CLAMP NO.	FOR USE ON
200686	14 Position Series "M" Connectors
201229	26 Position Series "M" Connectors
201237	20 Position Series "M" Connectors
201685	14 Position Series "M" Connectors



AMP INCORPORATED
HARRISBURG, PENNA.

A-MP* STRAIN RELIEF CLAMP
FOR 14, 20, & 26 POSITION
SERIES "M" CONNECTORS

IS-1313
REL. 3/15/61
REV. 4/21/64



ASSEMBLY INSTRUCTIONS

1. Attach Strain Relief Assembly to Connector using A-MP Guide Pins, 4-40 X 3/8 Fillister Head Screws with Nuts and Lock Washers.

NOTE: See AMP Instruction Sheet No. 7054 for selection and use of Guide Pins and Sockets.

2. Bundle Cable so that it will pass thru "U" Clamp.
3. Assemble Clamp as shown.
4. Tighten "U" Clamp Nuts.

*Trademark of AMP Incorporated

STRAIN RELIEF CLAMP NO.	FOR USE ON
200686	14 Position Series "M" Connectors
201229	26 Position Series "M" Connectors
201237	20 Position Series "M" Connectors
201685	14 Position Series "M" Connectors