

Figure 1

1. INTRODUCTION

Flush mount transition wall box kits 1375045-[] are designed to house and protect connectors mating round cable to undercarpet power or communications cable. Dash number indicates color of the wall box cover.

i **NOTE**
Wall Transition Box 554805-1 and Wall Transition Box Cover 1-553292-[] together contain all of the components contained in this wall transition box kit.

The wall transition box accepts one of the following transition blocks (available separately):

- power transition block 554862-1
- universal transition block 2111682-1 (for use with category 5e and category 6 cable)

i **NOTE**
Dimensions in this instruction sheet are in metric units [with U.S. customary units in brackets]. Figures are not drawn to scale.

To obtain information on AMP NETCONNECT products, call PRODUCT INFORMATION at the number at the bottom of this page or visit the AMP NETCONNECT website at www.ampnetconnect.com.

2. DESCRIPTION

Each wall box kit consists of a wall box, cover, green ground screw, four cover mounting screws, and two stainless steel bonding clips. The wall box features seven 1/2-in. and 3/4-in. round knockouts for round cable entry point, and slot knockout for the undercarpet cable exit point. See Figure 1.

3. INSTALLATION PROCEDURE

IMPORTANT: It is recommended that a qualified electrician install the wall transition box kit.

! DANGER
To avoid personal injury, ALWAYS DISCONNECT electrical power before beginning work on any circuit.

i **NOTE**
The location of the wall box should be determined by consulting the floor plan layout.

3.1. Wall Box

1. For power cable application, ensure that the two stainless steel bonding clips are attached to the wall box as shown in Figure 1. Communications cable application does not require the bonding clips.

i **NOTE**
Stainless steel bonding clip 554178-1 is also available separately.

2. Remove the knockouts from the wall box as required for the application (round knockouts for round cable and slot knockout for undercarpet cable). DO NOT remove the slot knockout if installing power cable behind the wall (described in Paragraph 3.2,B).

3. Cut an opening the size of the wall box in the wall. Position the opening at least 18 mm [.687 in.] above the baseboard to allow clearance for installing the cover. Refer to Figure 2.

4. Position the wall box in the wall opening so that it is parallel to the floor and the “UP” arrow (located on back of wall box) is pointing toward the ceiling. Using two suitable screws (customer supplied), secure the wall box to the wall studs.

i **NOTE**
Customer-supplied switch box supports or support clips may be used to secure the wall box to wall plaster or drywall instead of wall studs.

3.2. Undercarpet Power Cable

Install the vinyl floor preparation (for slab-on-grade application), power cable, power transition block, and top shield according to the instructions included with the product.

i **NOTE**
Instruction sheet included with product is:
408-3154 — Vinyl Floor Preparation and Undercarpet Power Cable
408-3176 — Power Transition Block Assembly
408-3150 — Top Shield and Bonding Clips

i **NOTE**
Attach the top shield to the wall box using the stainless steel bonding clips or two 8-32×3/8-in. screws (customer supplied). Refer to Figure 2.

Then, proceed with the following:

A. Outside of Wall

If installing power cable on the outside of the wall, the power cable and top shield should be concealed behind the baseboard. Refer to Figure 2.

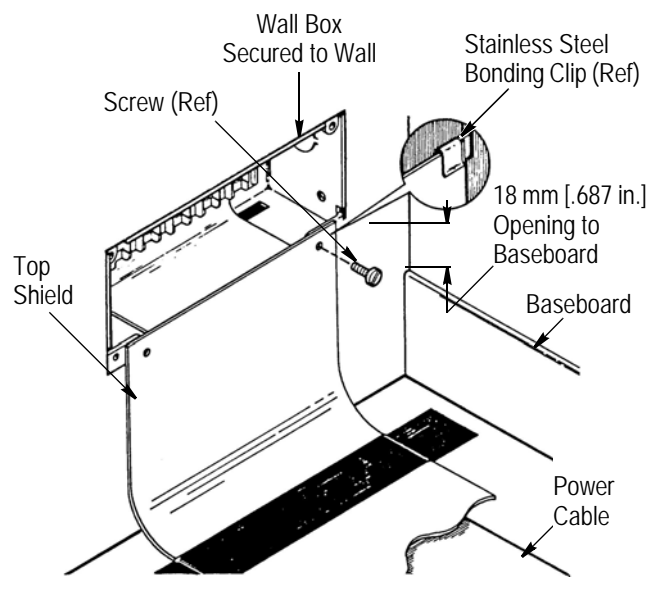


Figure 2

B. Behind Wall

i **NOTE**
If the round cable enters the wall box from the bottom, the power cable **MUST** exit from the **FRONT** of the wall box, and the power cable **MUST** be installed on the outside of the wall. Refer to Paragraph 3.2.A.

1. Cut an opening approximately 152.4×12.7 mm [6.0×.50 in.] in the wall just above the floor for the power cable to exit. See Figure 3.

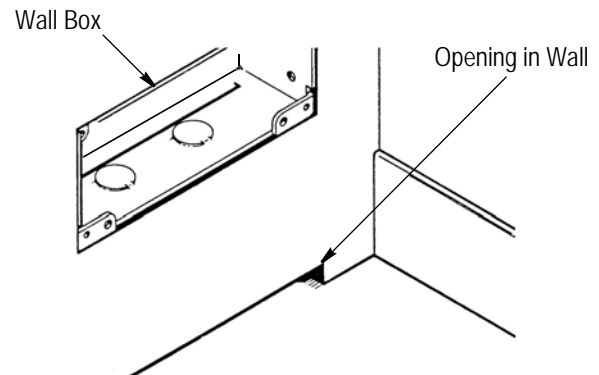


Figure 3

2. If a bottom shield is **NOT** required, proceed to Step 3. If a bottom shield is required, install a piece of top shield to the back of the portion of the power cable located inside the wall as follows:

i **NOTE**
The piece of top shield is used as a “bottom shield”. A bottom shield is recommended for protection of the power cable inside the wall.

a. Cut a piece of top shield approximately 457 mm [18 in.] long or as needed to extend approximately 25.4 mm [1.0 in.] into the wall box and 152.4 mm [6.0 in.] outside the wall. Refer to Figure 4.

b. Trim the corners of the top shield at a 30° angle from the end that will extend into the wall box. Cut the end of the top shield that will extend from the wall so that it is square with the floor. See Figure 4.

c. Feed the square end of the top shield into the slot knockout of the wall box and through the opening in the wall until approximately 25.4 mm [1.0 in.] of the trimmed end is located in the wall box and 152.4 mm [6.0 in.] extends from the opening in the wall.

d. If the vinyl floor preparation is used, install the top shield (used as a “bottom shield”) on top of the vinyl floor preparation. See Figure 4.

3. Feed the power cable into the opening in the wall and through the slot knockout of the wall box. If a bottom shield is used, install the power cable on top of the bottom shield.

Installing Top Shield Used as Bottom Shield

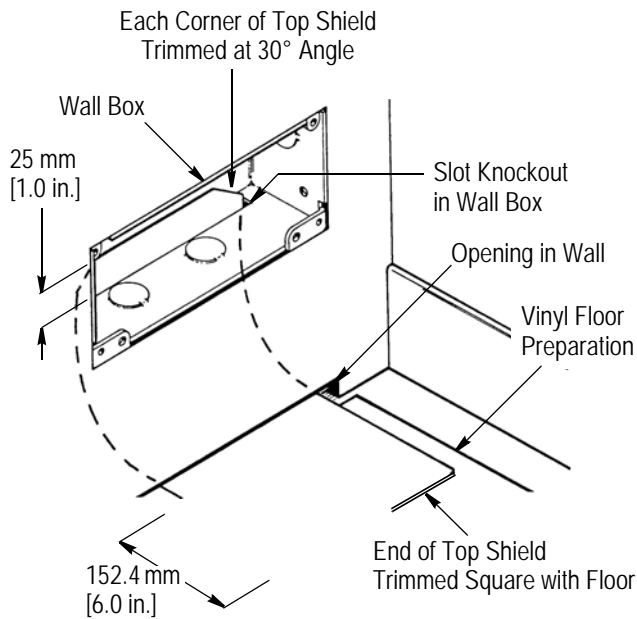


Figure 4

4. Install the power transition block onto the end of the power cable that is in the wall box according to the instruction sheet included with the power transition block. **DO NOT** fasten the transition block to the wall box at this time. See Figure 5.

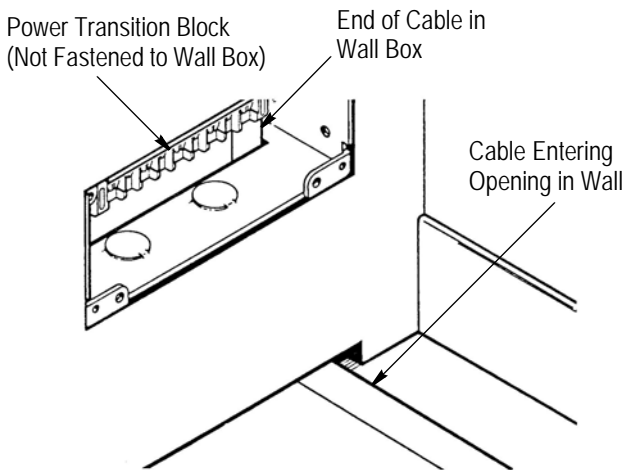


Figure 5

5. Insert the top shield into the opening in the wall and through the slot knockout of the wall box. See Figure 6.
 6. Using the two stainless steel bonding clips, secure the top shield to the wall box. See Figure 6.
 7. Fasten the power transition block to the wall box.

8. If bottom shield is used, use Top Shield Bonding Clip 553534-1 (available separately) to connect the top and bottom shields together at the floor. Make sure to place the clips approximately 152.4 mm [6.0 in.] from the wall. See Figure 6.

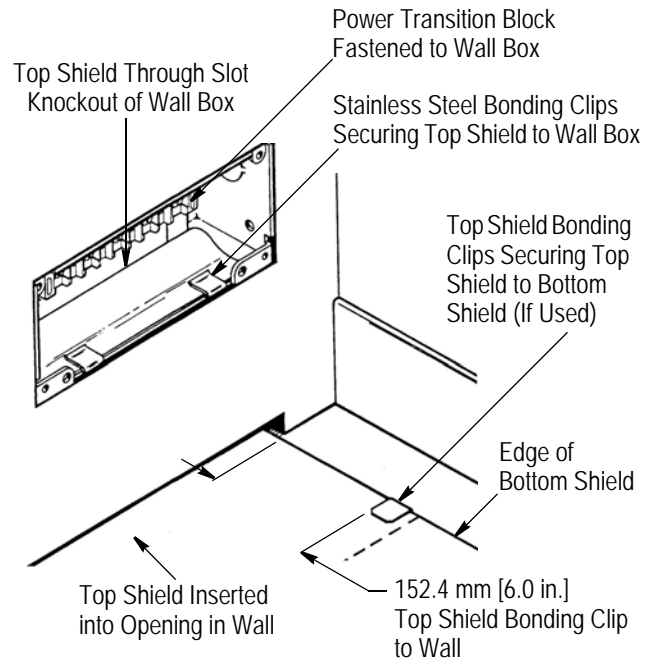


Figure 6

3.3. Undercarpet Communications Cable

Install the communications transition block and communications cable according to the instructions included with the product.

i **NOTE**
 Instruction sheet included with product is:
 408-3368 — Universal Communications Transition Block (for Use with Category 5e and Category 6)
 408-3194 — Undercarpet Communications Cable

A. Outside of Wall

When installing communications cable on the outside of the wall, conceal the communications cable behind the baseboard.

B. Behind Wall

i **NOTE**
 If the round cable enters the wall box from the bottom, the communications cable **MUST** exit from the **FRONT** of the wall box and the communications cable **MUST** be installed on the outside of the wall. Refer to Paragraph 3.3.A.

1. Cut an opening approximately 152.4x12.7mm [6.0x.50 in.] in the wall just above the floor for the communications cable to exit. See Figure 3.

2. Feed the communications cable into the opening in the wall and through the slot knockout of the wall box.

3. Mount the communications transition block to the wall box.

4. Secure the communications cable to the communications transition block according to the instruction sheet included with the communications transition block.

3.4. Cover

1. Orient the cover so that the “UP” arrow (located on the inside of the cover) is pointing toward the top of the wall box.

2. Using the four cover mounting screws, secure the cover to the wall box. See Figure 1.

4. REPLACEMENT AND REPAIR

Components of the wall box kit are not repairable. DO NOT use any defective or damaged components

5. REVISION SUMMARY

Revisions to this instruction sheet include:

- Removed AMP NETCONNECT logo
- Changed name of transition block in Section 1
- Changed title of 408-3368 in and deleted 408-10009 from Paragraph 3.3