

Figure 1

1. INTRODUCTION

Surface mount wall transition box kits 1375032-[] are designed to house and protect connectors mating round entry cable to undercarpet power or communications cable. Dash number indicates color of the wall box cover.

i **NOTE**
Wall transition box 1375033-1 and wall transition box cover 1375034-[] are available separately — and together they contain all of the components in the wall transition box kit.

The wall transition box requires either one of the following transition blocks (available separately):

- power transition block 554862-1
- universal transition block 2111682-1 (for use with category 5e and category 6 cable)

i **NOTE**
Dimensions in this instruction sheet are in metric units [with U.S. customary units in brackets]. Figures are not drawn to scale.

To obtain information on AMP NETCONNECT products, call PRODUCT INFORMATION at the number at the bottom of this page or visit the AMP NETCONNECT website at www.ampnetconnect.com.

Reasons for reissue of this instruction sheet are provided in Section 5, REVISION SUMMARY.

2. DESCRIPTION

The kit consists of a wall box, two stainless steel bonding clips, and cover (with attaching hardware). The wall box features a green grounding screw (for grounding and bonding of round cable), and four knockouts.

3. INSTALLATION PROCEDURE

IMPORTANT: It is recommended that a qualified electrician install the wall transition box kit.



DANGER
To avoid personal injury, ALWAYS DISCONNECT the electrical power before beginning work on any circuit.



NOTE
The location of the wall box should be determined by consulting the floor plan layout. The wall box can be installed anytime after the wall surface is complete; however, after painting is recommended.

3.1. Wall Box

1. For power cable application, ensure that the two stainless steel bonding clips are attached to the wall box. Communications cable application does not require the stainless steel bonding clips.



NOTE
Stainless steel bonding clip 554178-1 is also available separately.

2. Remove the knockouts for the round entry cable as required by the application.

3. Position the wall box on the wall so that it is parallel to the floor and the “UP” arrow is pointing away from the floor. The wall box should be approximately 2.54 mm [.100 in.] above the baseboard height to allow clearance for installing the cover. Secure the wall box to the wall using four screws (customer-supplied). Refer to Figure 2.

i **NOTE**
DO NOT attach the baseboard until the cable is installed. Use the baseboard to conceal the cable.

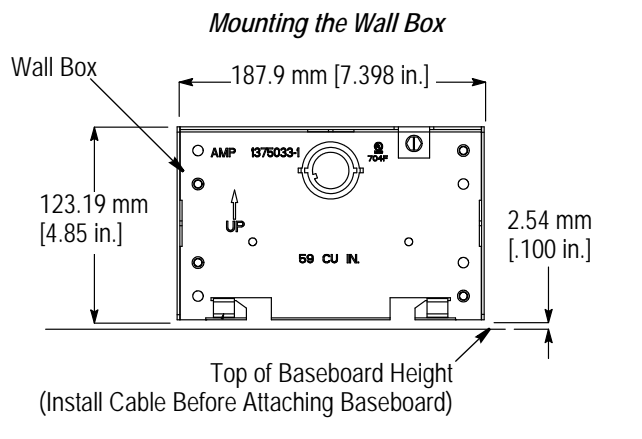


Figure 2

3.2. Cable

A. Undercarpet Power Cable

Install the vinyl floor preparation (for slab-on-grade application), power cable, power transition block, and top shield according to the instructions included with the product. Use the bonding clips to attach the top shield to the wall box. Refer to Figure 3.

i **NOTE**
Instruction sheet included with product is:
408-3154 — Vinyl Floor Preparation and Undercarpet Power Cable
408-3176 — Power Transition Block Assembly
408-3150 — Top Shield and Bonding Clips

B. Undercarpet Communications Cable

Install the universal communications transition block and communications cable according to the instructions included with the product. The bonding clips are not required to be used. Refer to Figure 4.

i **NOTE**
Instruction sheet included with product is:
408-3368 — Universal Communications Transition Block (for Use with Category 5e and Category 6)
408-3194 — Undercarpet Communications Cable

3.4. Cover (Refer to Figure 1)

1. Orient the cover so that the “UP” arrow (located on the inside of the cover) is pointing toward the top of the wall box.

Undercarpet Power Cable Application

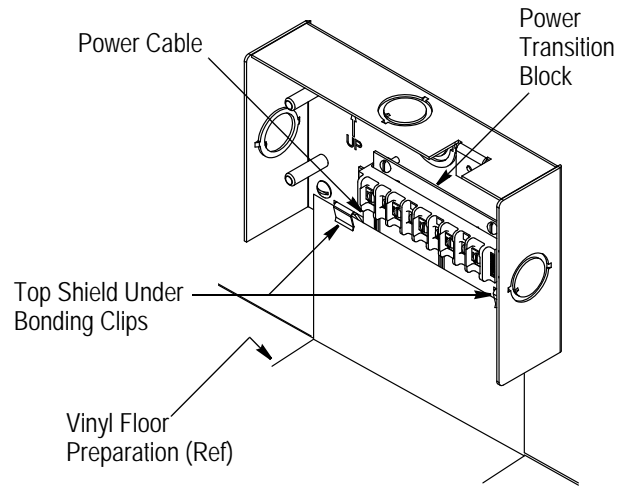


Figure 3

Undercarpet Communications Cable Application

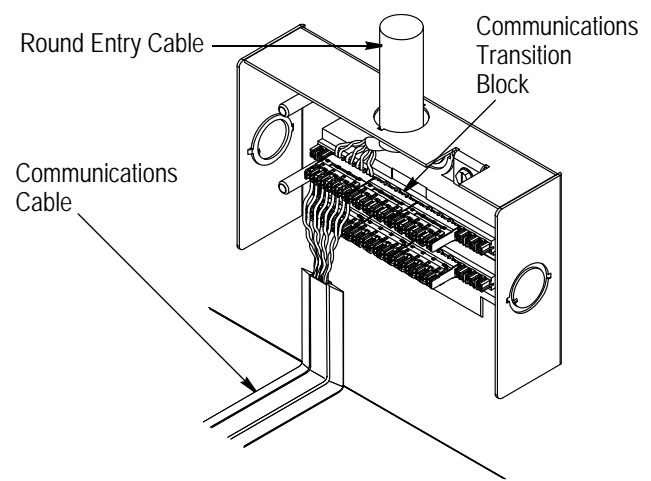


Figure 4

2. Using the four cover mounting screws, attach the cover to the wall box.

4. REPLACEMENT AND REPAIR

Wall transition box kit components are not repairable. DO NOT use any defective or damaged components.

5. REVISION SUMMARY

Revisions to this instruction sheet include:

- Removed AMP NETCONNECT logo
- Changed name of transition block in Section 1
- Changed title of 408-3368 in and deleted 408-10009 from Paragraph 3.2,B