

Figure 1

1. INTRODUCTION

AMPSEAL 16 Backshells 1326978-1 (2-wire), and 1326979-1 (3-wire), are designed to provide protection to the wires of the AMPSEAL 16 Plug and Receptacle Connectors while connecting to NW10/NC12 conduit. Refer to Figure 1.

Read these instructions carefully before assembling the backshell to the plugs and receptacles.

NOTE Dimensions in this instruction sheet are in millimeters. Figures and illustrations are for reference only and are not drawn to scale.

2. DESCRIPTION

This two-piece backshell is made from UL94 V-0 nylon and is easily assembled to either the plug or receptacle connector.

3. ASSEMBLY PROCEDURE

1. Terminate the contacts according to the instructions provided with the specific termination tooling.
2. String terminated wire through NW10/NC12 conduit.

3. Load the connector with the terminated wires.
4. Align the plug or receptacle connector and the bottom half of the backshell as shown in Figure 2.

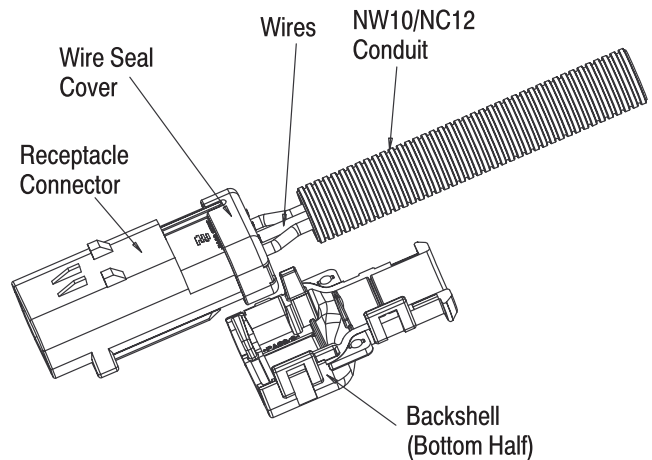


Figure 2

5. Insert the connector into the bottom half of the backshell so that the wire seal cover is behind the second rib at the opening of the backshell. The conduit should be placed into the rear portion of the backshell with the end at or near the conduit flange and the conduit retention rib recessed within one of the wells of the conduit. See Figure 3.

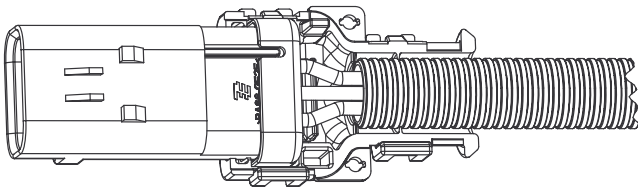


Figure 3

6. For assembly to a receptacle connector, turn the top half of the backshell over. Again, insert the connector into the backshell so that the wire seal cover is behind the second rib at the opening of the backshell and the conduit retention rib is in a well of the conduit. Firmly press the two halves together. An audible click will indicate when they are mated. See Figure 4A.

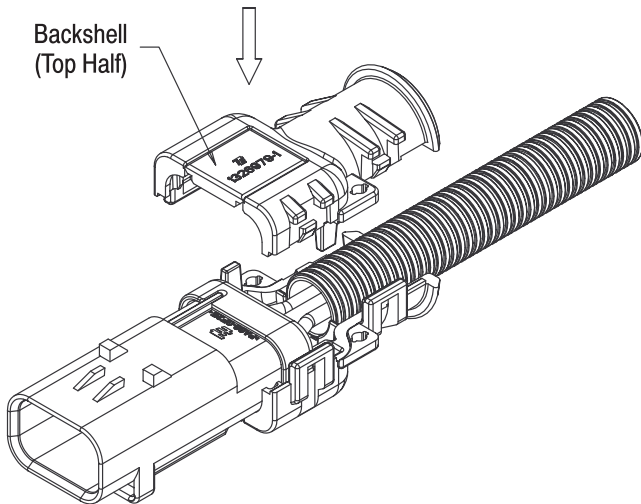


Figure 4A

7. For assembly to a plug connector, grasp the breakout area with pliers or similar tool. For best results, use pliers with jaws large enough to cover the entire breakout area. Firmly hold the backshell half and rotate the pliers toward the inside or outside of the backshell. (**NOTE:** due to the parts design, the insert tends to break out more easily to the inside of the part.) See Figure 4B.1.

Once the breakout is removed, turn the top half of the backshell over. Again, insert the connector into the backshell so that the wire seal cover is behind the second rib at the opening of the backshell, and the conduit retention rib is in a well of the conduit. Firmly press the two halves together. An audible and tactile click will indicate when they are mated. Refer to Figure 4B.2.

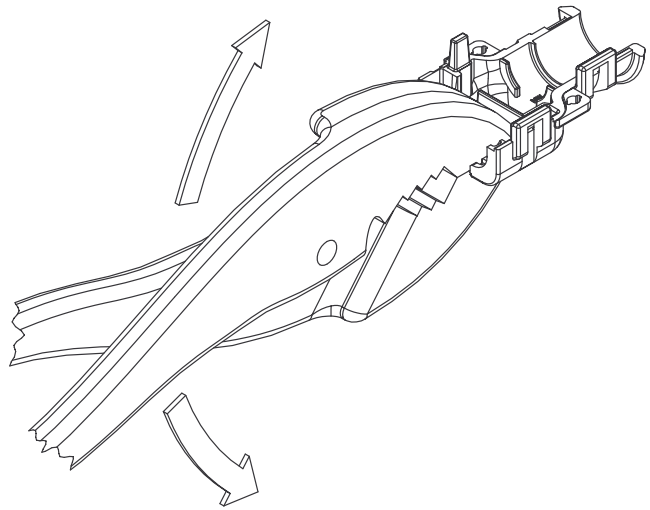


Figure 4B.1

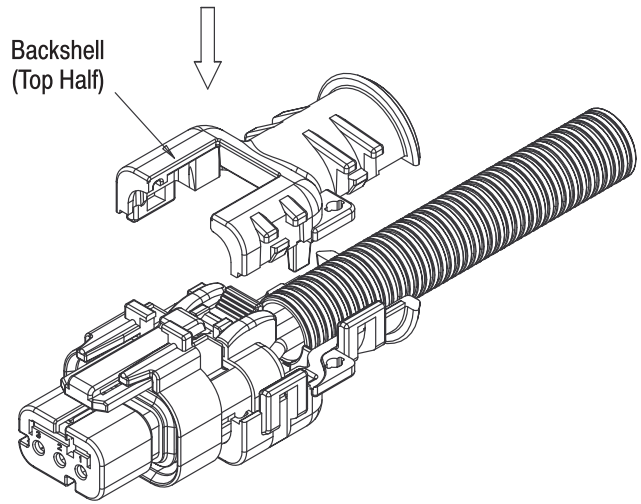


Figure 4B.2

8. The completed AMPSEAL 16 Backshell with connectors is shown in Figure 5.

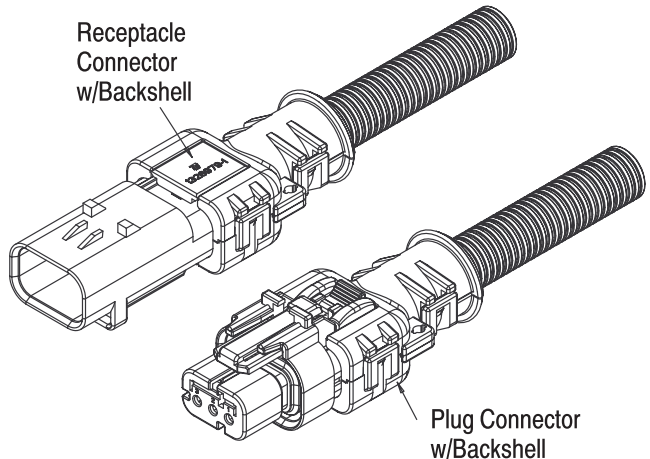


Figure 5

9. If additional strength is needed or desired, M3 self-tapping screws or 3.0 mm or smaller tie wraps can be used in the flanges along the side of the backshell. A 5.0 mm or smaller tie wrap can also be used at the rear of the backshell for additional strength.

4. REPAIR AND REPLACEMENT

If the backshell, connector, or contacts become damaged, they must be replaced with new ones. To disassemble the backshell, first remove any screws or wire ties added for strength. Then, using a small flat-head screwdriver, pry out the four latch features on the backshell and remove the two halves. See Figure 6. Once the repairs are complete, re-assemble the backshell using the preceding procedures.

5. REVISION SUMMARY

- Updated document to corporate requirements
- Changed terminology “NC10/Metric 12” to “NW10/NC12” in all instances

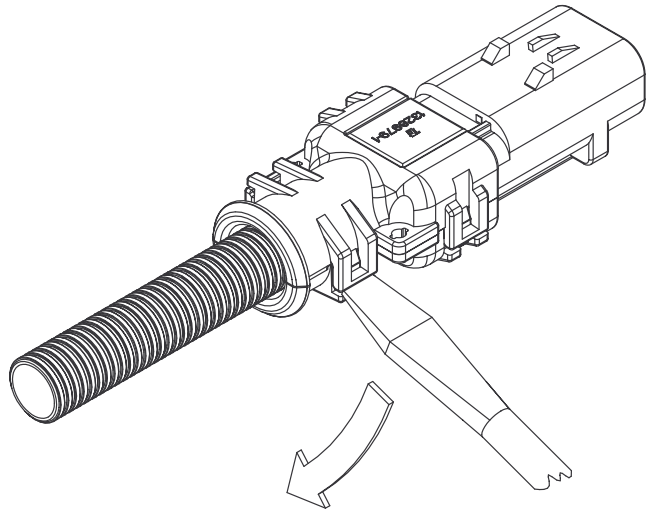


Figure 6