

1. INTRODUCTION

The table in Figure 1 references the 2IOM Series boards for Slim Line Input/Output Modules. Boldfaced 2IOM Series numbers listed in Figure 1 are the more likely to be stocked by authorized distributors. The numbers in brackets below are the associated Tyco Electronics part numbers. To the far right side are descriptions of features pertaining to the I/O modules.

NOTE



The 2IO Series boards are UL recognized and CSA certified for 125 maximum with 5A fuses; 250V maximum with #22 solid copper jumper wire instead of fuses.



File E61482



File LR15734

NOTE



Be sure to thoroughly review the technical data before selecting a product part number. It is also recommended that users seek out the pertinent approvals files of the agencies/laboratories and review them to be sure the product meets the requirements for the given applications

Product [Tyco Electronics Part Number]					Description
2IOM4A [1393026- 7]	2IOM16 [1393026- 1]	2IOM16A [1393026- 2]	2IOM24 [1393026- 4]	2IOM24D [1393026- 5]	
4	16	16	24	24	Number of I/O Channels
4	16	16	24	24	Number of Module Positions
X	X	X	X	X	Field Terminals: Screw Terminals
X		X			Logic Terminals: Screw Terminals
	X		X	X	Logic Terminals: 50-pin card edge connector
				X	Logic Terminals: 50-pin straight header
					Logic Terminals: 50-pin right-angle header
			X		Will accept 50-pin dual header
X	X	X	X	X	Designed for negative true logic; one logic voltage

Figure 1

The table in Figure 2 describes suggested mating connectors and fuses.

Suggested Mating Connectors And Fuses	
50-pin card edge connector	3M 3415-0001 (Or equivalent.)
50-pin header connector	7-1437021-4 (Or equivalent)
5 amp fuse	Littlefuse 251-005 (Or equivalent.)
7 amp fuse*	Littlefuse 251-007 (Or equivalent.)
1 amp fuse**	Littlefuse 251-001 (Or equivalent.)

* Used only on 24 and 32 position models.

** Used only on 2IOM4A and 2IOM16A boards.

Figure 2

2. DESCRIPTION

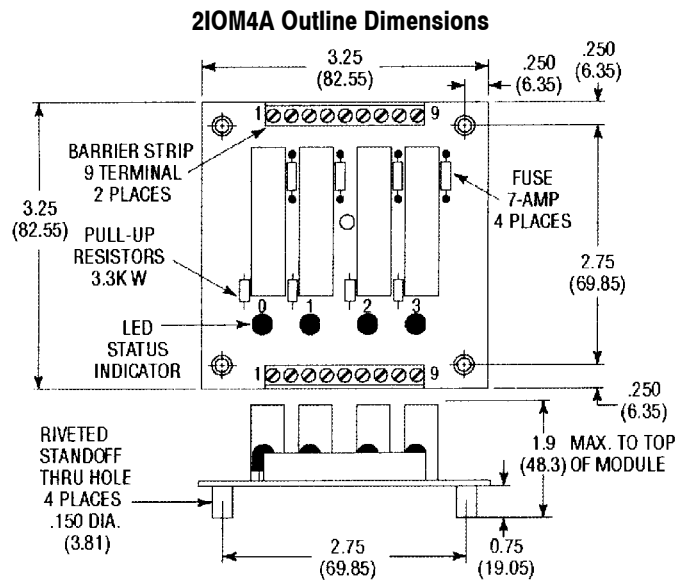
NOTE



The dimensions on the drawings below are in inches (with the millimeter equivalent in parentheses).

These instructions include information about space saving mounting boards for Slim Line Input/Output Modules.

Figures 3, 4, 5, and 6 contain the outline dimensions and schematics for the boards listed above.



Designed to operate with neg. true logic (active low) systems & one logic voltage.

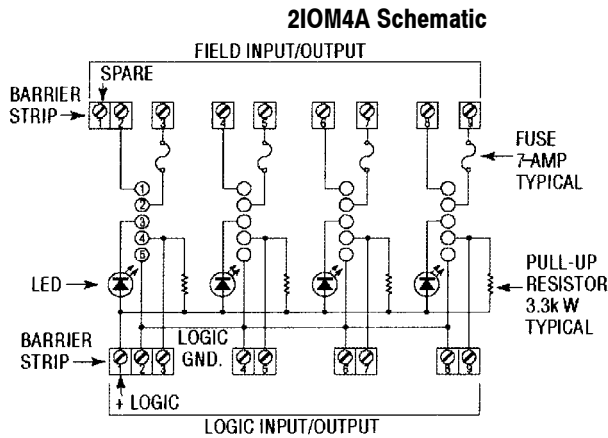


Figure 3

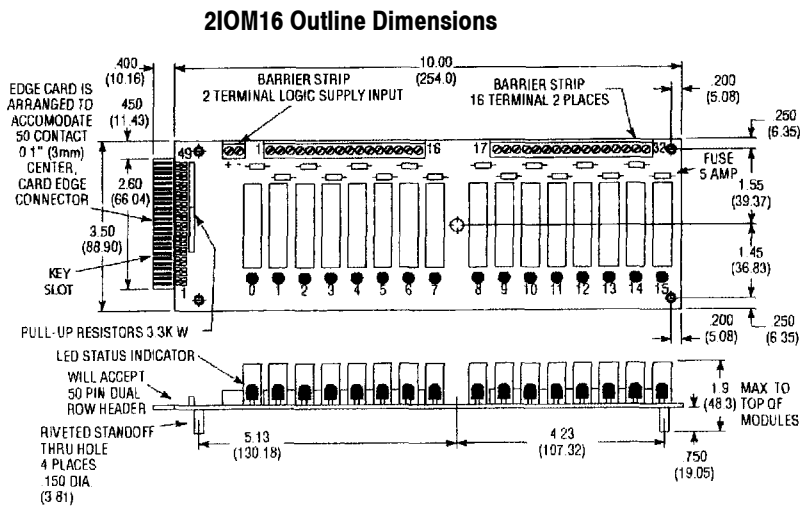


Figure 4 (continued)

2IOM16 Schematic

Designed to operate with neg. true logic (active low) systems & one logic voltage.

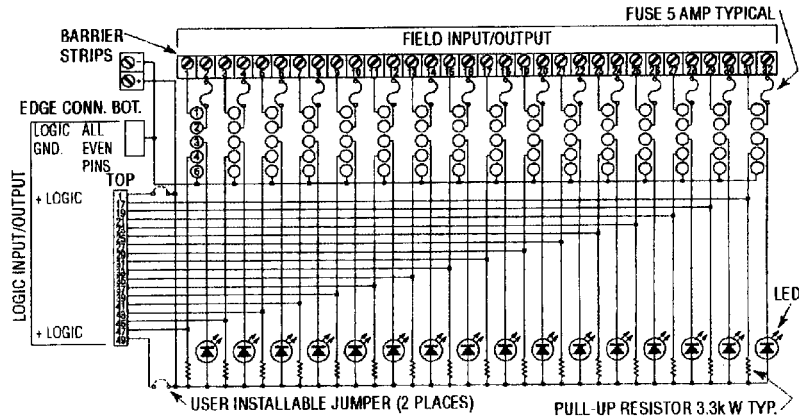
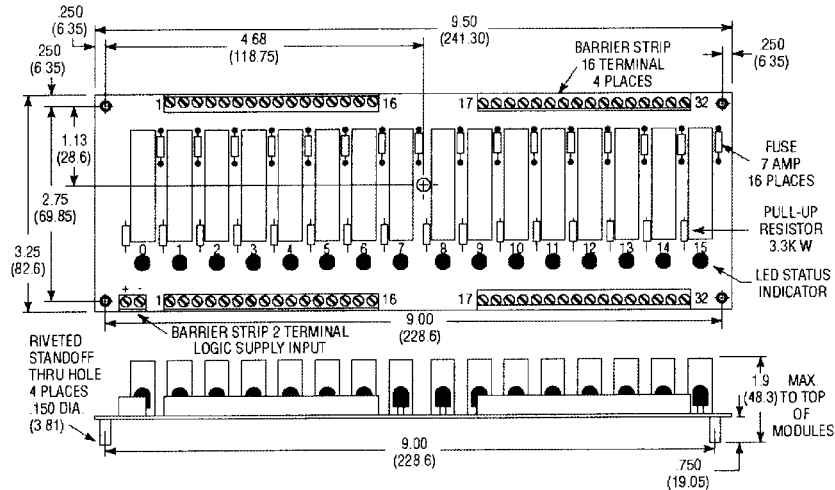


Figure 4 (end)

2IOM16A Outline Dimensions



2IOM16A Schematic

Designed to operate with neg. true logic (active low) systems & one logic voltage.

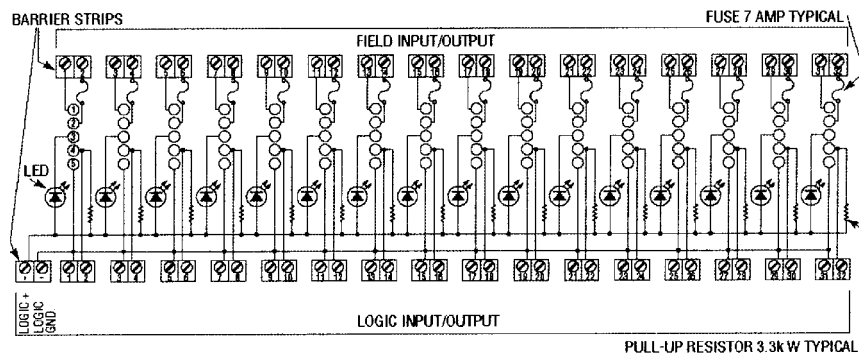
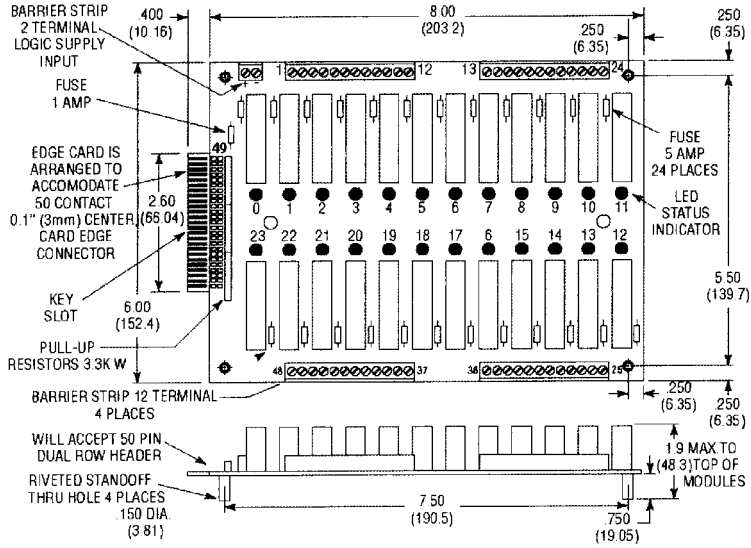


Figure 5

2IOM24 and 2IOM24D Outline Dimensions



2IOM24 and 2IOM24D Schematic

Designed to operate with neg. true logic (active low) systems & one logic voltage.

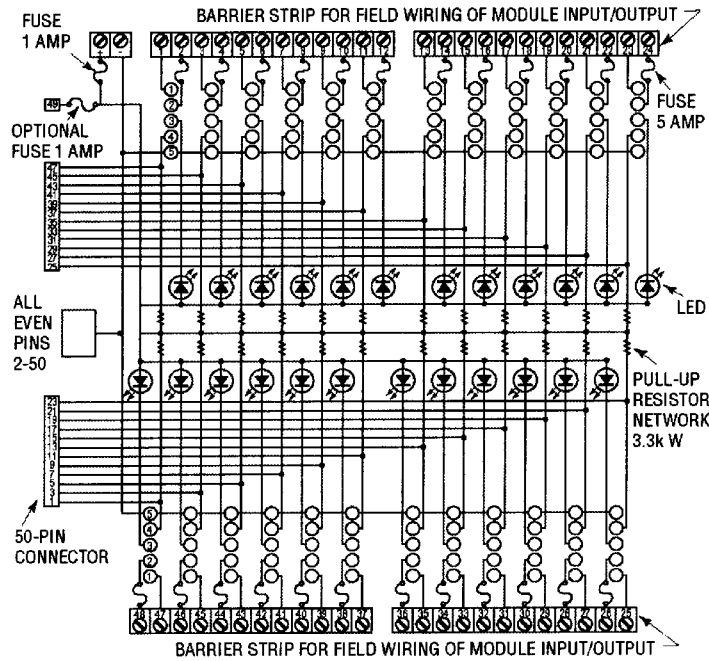


Figure 6

3. REVISION SUMMARY

Since the previous release of this instruction sheet, the TE logo was changed.