



TE Internal #: 1393433-2

Housing for Male Terminals, Wire-to-Wire, 2 Position, .1 in [2.54 mm] Centerline, Yellow, Wire & Cable, Signal, Cable Mount (Free-Hanging)

[View on TE.com >](#)

Connectors > Automotive Connectors > Automotive Housings



Connector System: **Wire-to-Wire**

Number of Positions: **2**

Connector & Housing Type: **Housing for Male Terminals**

Centerline (Pitch): **2.54 mm [ .1 in ]**

Sealable: **No**

### Features

#### Product Type Features

Mixed & Hybrid Connector	No
Connector Shape	Rectangular
Connector System	Wire-to-Wire
Connector & Housing Type	Housing for Male Terminals
Sealable	No
Connector & Contact Terminates To	Wire & Cable
Primary Locking Feature	On the Terminal

#### Configuration Features

Number of Positions	2
Number of Rows	1

#### Electrical Characteristics

Operating Voltage	12 VDC
Nominal Voltage Architecture	12 V

#### Body Features

Cable Exit Angle	180°
Primary Product Color	Yellow
Connector & Keying Code	A

#### Contact Features

--	--



Contact Size	.63mm
Contact Type	Tab
Contact Current Rating (Max)	7.5 A

#### Mechanical Attachment

Terminal Position Assurance	Yes
Strain Relief	Without
Mating Alignment Type	Keyed
Mating Alignment	With
Connector Mounting Type	Cable Mount (Free-Hanging)

#### Housing Features

Housing Material	PBT GF
Centerline (Pitch)	2.54 mm[.1 in]

#### Dimensions

Connector Height	13.3 mm[.524 in]
Product Width	35.2 mm[1.386 in]
Product Length	12.5 mm[.492 in]

#### Usage Conditions

Operating Temperature (Max)	70 °C, 75 °C, 80 °C, 85 °C, 90 °C, 100 °C, 105 °C, 110 °C, 120 °C, 125 °C, 130 °C[158 °F][167 °F][176 °F][185 °F][194 °F][212 °F][221 °F][230 °F][248 °F][257 °F][266 °F]
Operating Temperature Range	-40 – 130 °C[-40 – 266 °F]

#### Operation/Application

Circuit Application	Signal
---------------------	--------

#### Industry Standards

UL Flammability Rating	UL 94HB
------------------------	---------

#### Packaging Features

Packaging Quantity	2200
Packaging Method	Box

#### Other

Serviceable	No
Connector Position Assurance Capable	No



## Product Compliance

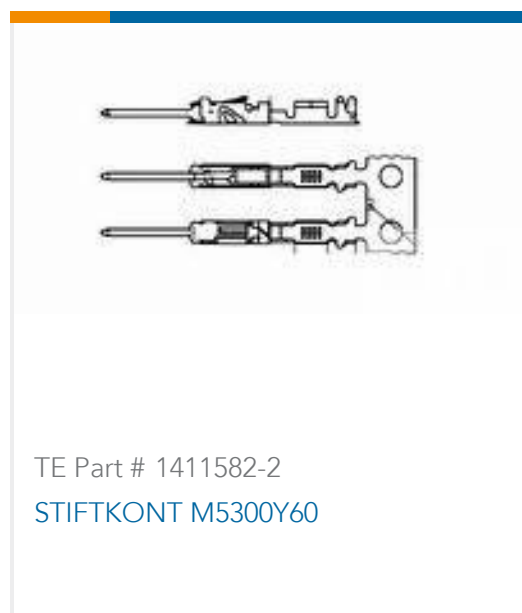
[For compliance documentation, visit the product page on TE.com>](#)

EU RoHS Directive 2011/65/EU	Compliant
EU ELV Directive 2000/53/EC	Compliant
China RoHS 2 Directive MIIT Order No 32, 2016	No Restricted Materials Above Threshold
EU REACH Regulation (EC) No. 1907/2006	Current ECHA Candidate List: JUNE 2023 (235) Candidate List Declared Against: JUNE 2023 (235) Does not contain REACH SVHC
Halogen Content	Low Halogen - Br, Cl, F, I < 900 ppm per homogenous material. Also BFR/CFR/PVC Free
Solder Process Capability	Not applicable for solder process capability

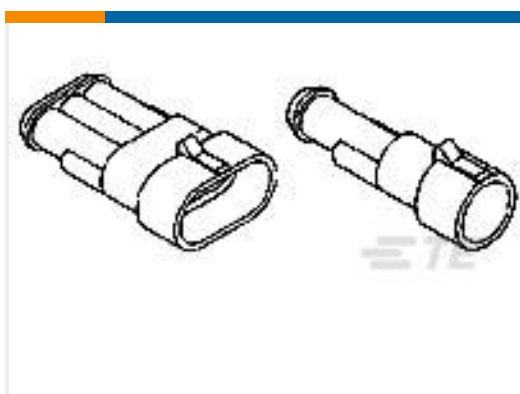
### Product Compliance Disclaimer

This information is provided based on reasonable inquiry of our suppliers and represents our current actual knowledge based on the information they provided. This information is subject to change. The part numbers that TE has identified as EU RoHS compliant have a maximum concentration of 0.1% by weight in homogenous materials for lead, hexavalent chromium, mercury, PBB, PBDE, DBP, BBP, DEHP, DIBP, and 0.01% for cadmium, or qualify for an exemption to these limits as defined in the Annexes of Directive 2011/65/EU (RoHS2). Finished electrical and electronic equipment products will be CE marked as required by Directive 2011/65/EU. Components may not be CE marked. Additionally, the part numbers that TE has identified as EU ELV compliant have a maximum concentration of 0.1% by weight in homogenous materials for lead, hexavalent chromium, and mercury, and 0.01% for cadmium, or qualify for an exemption to these limits as defined in the Annexes of Directive 2000/53/EC (ELV). Regarding the REACH Regulation, the information TE provides on SVHC in articles for this part number is based on the latest European Chemicals Agency (ECHA) 'Guidance on requirements for substances in articles' posted at this URL: <https://echa.europa.eu/guidance-documents/guidance-on-reach>

## Compatible Parts



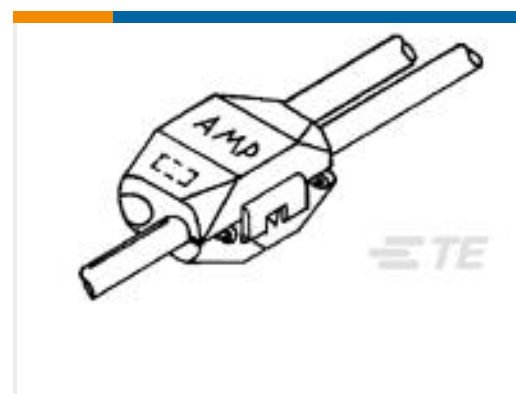
## Customers Also Bought



TE Part #282108-1  
AMP SUPERSEAL 1.5 SERIES 6P CA



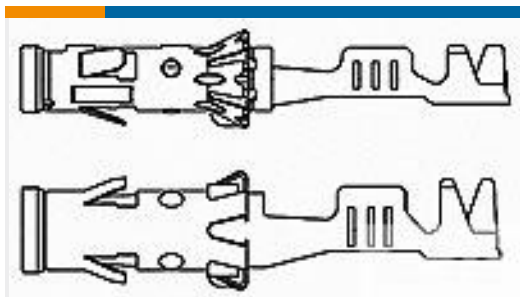
TE Part #1-967325-1  
2,5MM BU-GEH 4P



TE Part #171425-1  
ELECTRO-TAP SPLICE



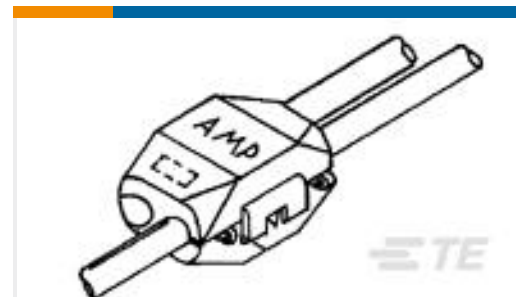
TE Part #1718490-1  
AMP MCP Unsealed Connector Housings



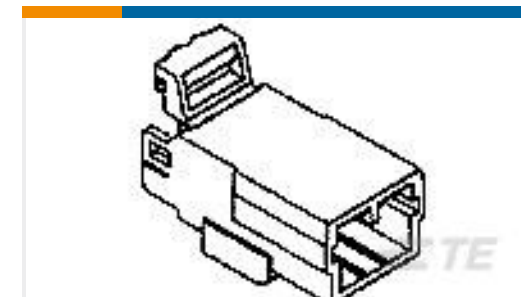
TE Part #929974-1  
BU-KONTAKT 2,5MMD



TE Part #928794-2  
FF 110 TAB PTP CUZN30



TE Part #177766-1  
ELECTRO TAP ASSY



TE Part #174929-1  
070 MLC W-W CAP HSG 4P NATURAL



TE Part #936644-1  
CLIP HSG FOR AIR BAG 6P

## Documents

### Product Drawings

[V23540M5302Y 10=2P STIFTGEHAUS](#)

English

[V23540M5302Y 10=2P STIFTGEHAUS](#)

English

### CAD Files

Customer View Model

[ENG\\_CVM\\_CVM\\_1393433-2\\_C.2d\\_dxf.zip](#)

English

[3D PDF](#)

3D

Customer View Model

[ENG\\_CVM\\_CVM\\_1393433-2\\_C.3d\\_igs.zip](#)

English

Customer View Model

[ENG\\_CVM\\_CVM\\_1393433-2\\_C.3d\\_stp.zip](#)

English

By downloading the CAD file I accept and agree to the [Terms and Conditions](#) of use.

1393433-2

Housing for Male Terminals, Wire-to-Wire, 2 Position, .1 in [2.54 mm] Centerline,  
Yellow, Wire & Cable, Signal, Cable Mount (Free-Hanging)

