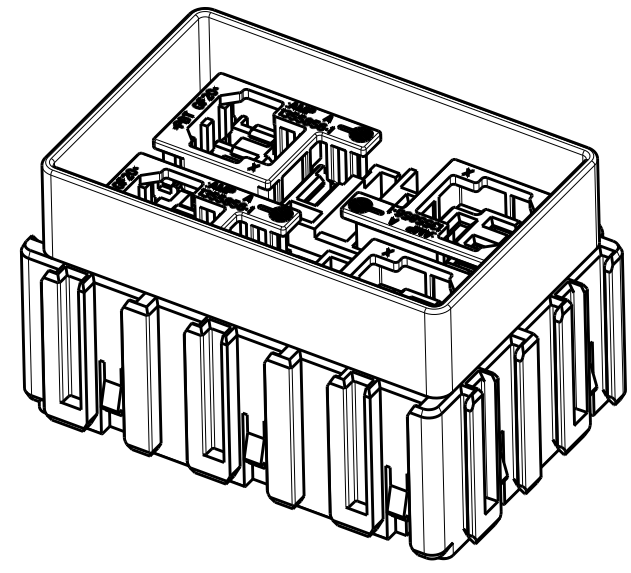


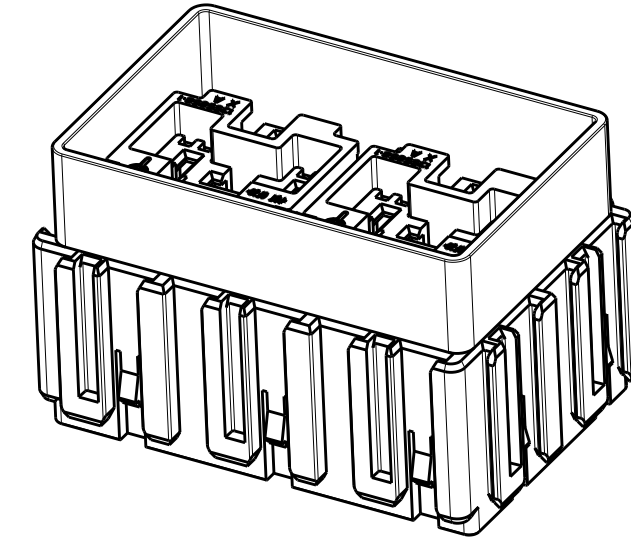
REVISONS		DATE	BY	APPD
A1	1			
A1		20081209	Neu	-
A2		06JAN2010	RH	-

### RELAY MODULE

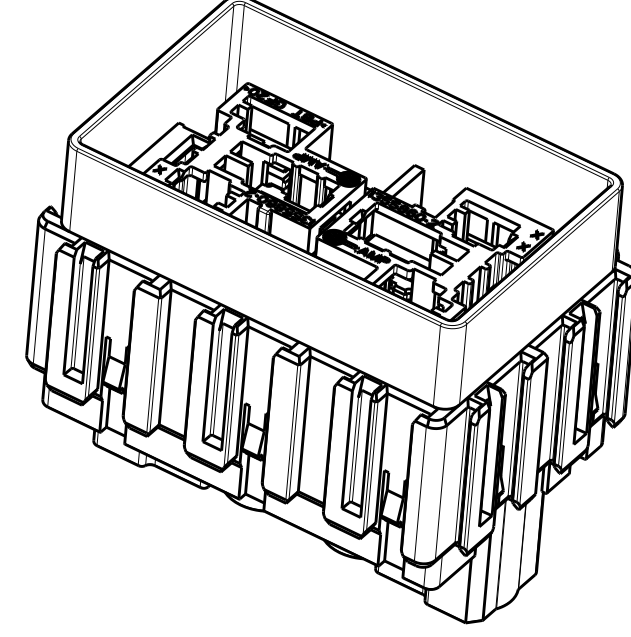
MICRO RELAY MODULE  
4POS  
ASSY  
TE ORDER NUMBER: 2141022-1  
DETAIL INFORMATION SEE CUSTOMER DRAWING



MINI RELAY MODULE  
2POS  
ASSY  
TE ORDER NUMBER: 2141024-1  
DETAIL INFORMATION SEE CUSTOMER DRAWING

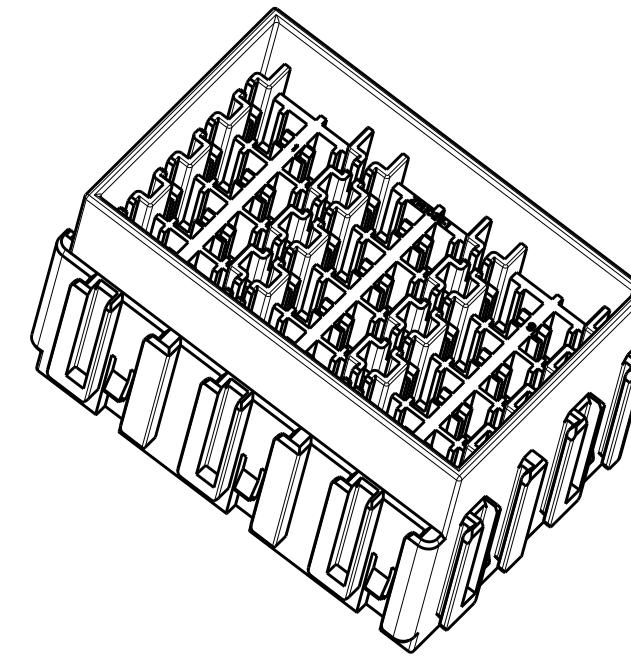


MAXI RELAY MODULE  
2POS  
ASSY  
TE ORDER NUMBER: 2141026-1  
DETAIL INFORMATION SEE CUSTOMER DRAWING

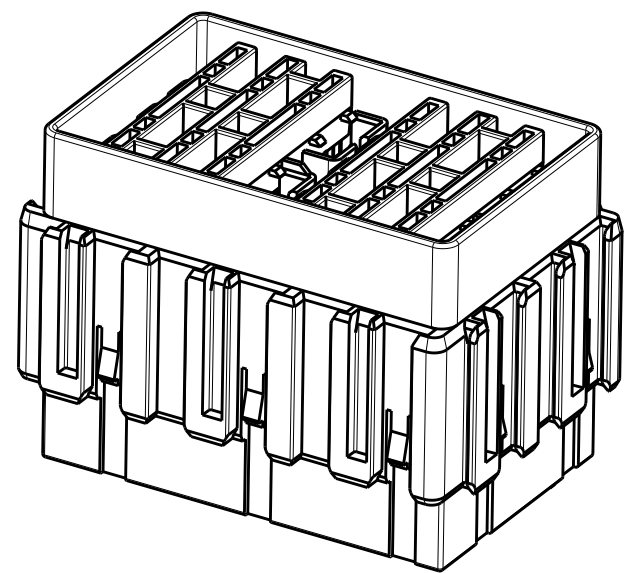


### FUSE MODULE

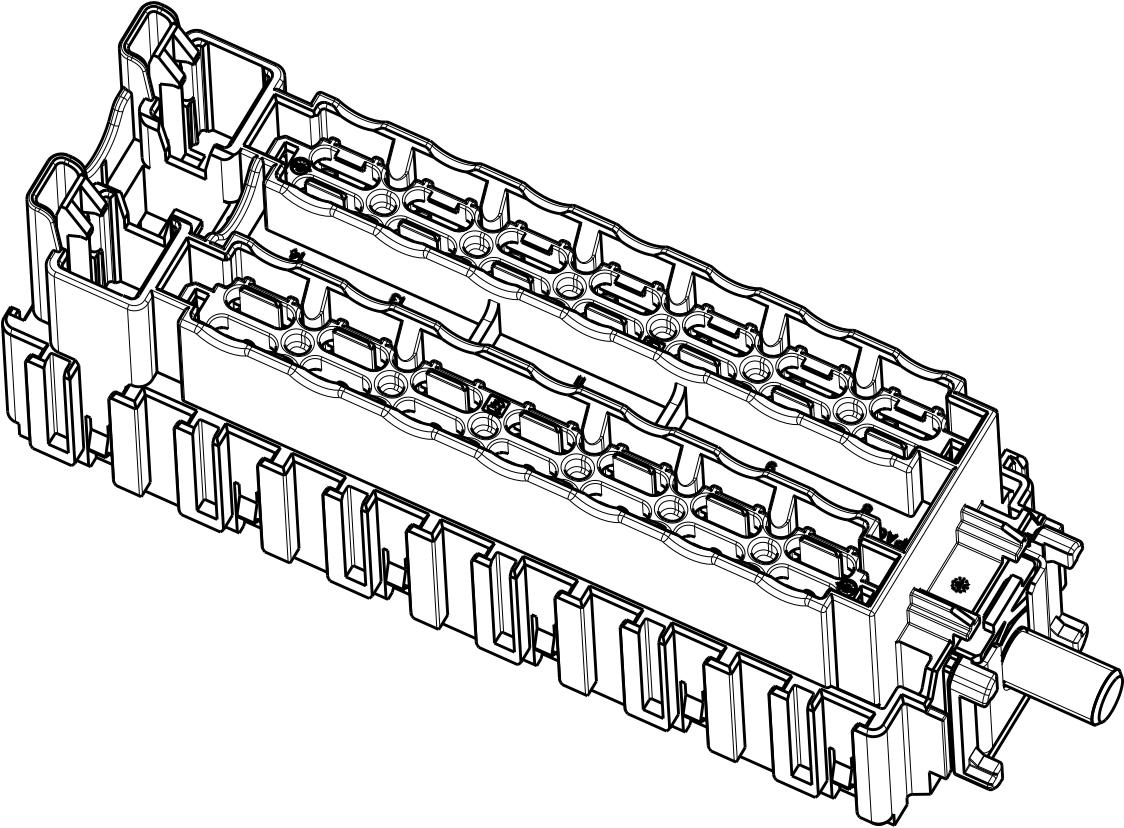
MEDIUM FUSE MODULE  
12POS  
PART  
TE ORDER NUMBER: 2141028-1  
DETAIL INFORMATION SEE CUSTOMER DRAWING



MINIATURE FUSE MODULE  
16POS  
ASSY  
TE ORDER NUMBER: 2141029-1  
DETAIL INFORMATION SEE CUSTOMER DRAWING

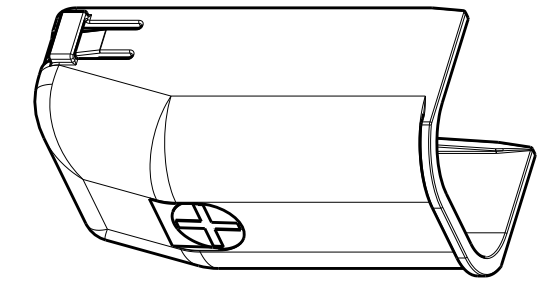


TYPE A FUSE MODULE  
14POS  
BUSBAR VERSION  
ASSY  
TE ORDER NUMBER: 2141040-1  
DETAIL INFORMATION SEE CUSTOMER DRAWING

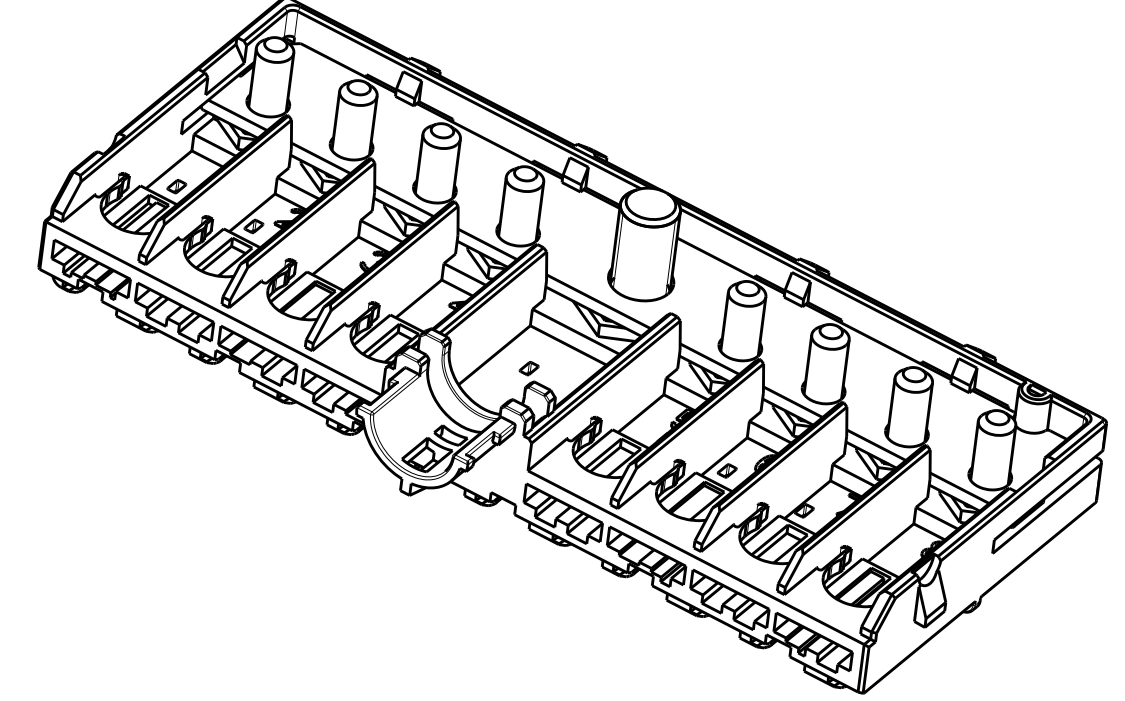


RECOMMENDED PARTS:

COVER FOR FUSE MODULE TYPE A  
PART  
TE ORDER NUMBER: 2141039-1  
DETAIL INFORMATION SEE CUSTOMER DRAWING

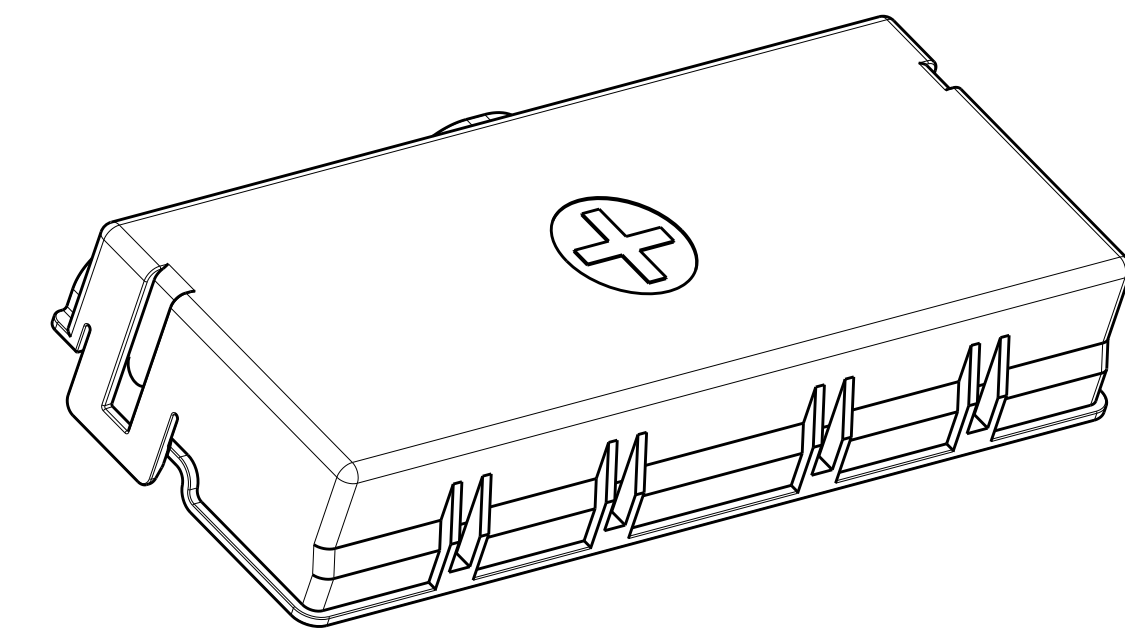


PRE-FUSE -SF30- MODULE  
8POS  
ASSY  
TE ORDER NUMBER: 2141034-1  
DETAIL INFORMATION SEE CUSTOMER DRAWING

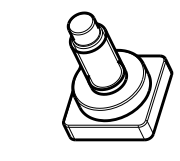


RECOMMENDED PARTS:

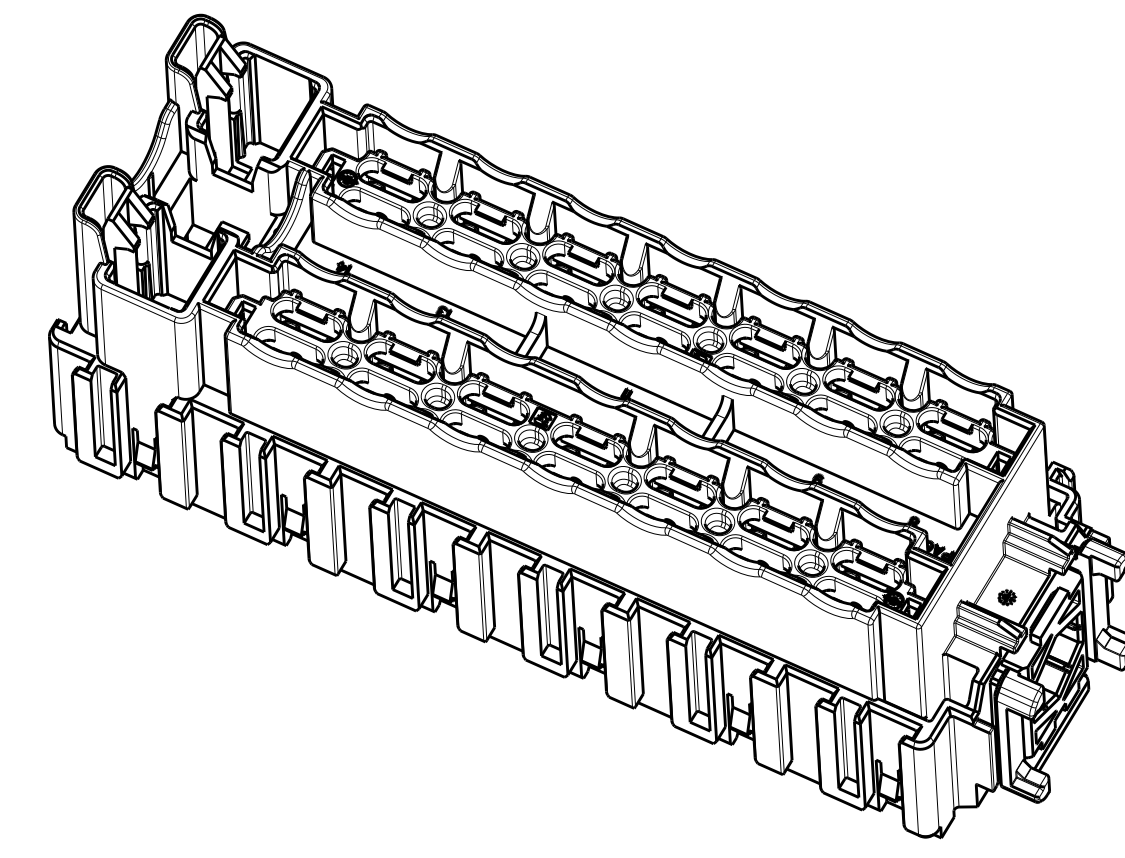
COVER FOR PRE-FUSE MODULE  
PART  
TE ORDER NUMBER: 2141033-1  
DETAIL INFORMATION SEE CUSTOMER DRAWING



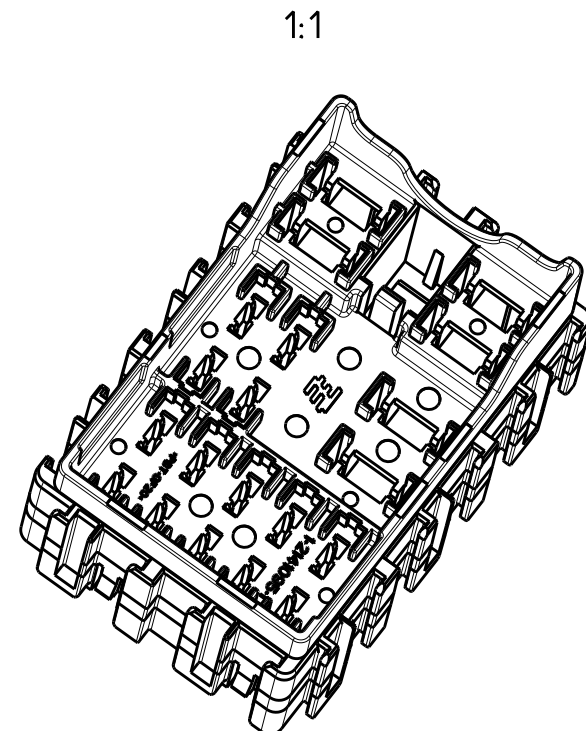
BOLT M5  
RECTANGLE HEAD  
PART  
TE ORDER NUMBER: 1534968-2  
DETAIL INFORMATION SEE CUSTOMER DRAWING



TYPE A FUSE MODULE  
14POS  
WIRE BY WIRE VERSION  
ASSY  
TE ORDER NUMBER: 2141040-2  
DETAIL INFORMATION SEE CUSTOMER DRAWING

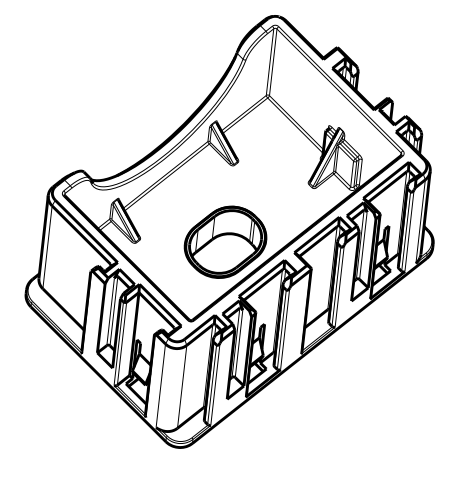


SPARE FUSE MODULE  
WITH PLACES FOR:  
QTY 7 - ATO FUSES  
QTY 6 - MINI FUSES  
QTY 1 - FUSE PULLER. LITTLEFUSE PN.097021  
TE ORDER NUMBER: 1-2141095-1  
DETAIL INFORMATION SEE CUSTOMER DRAWING

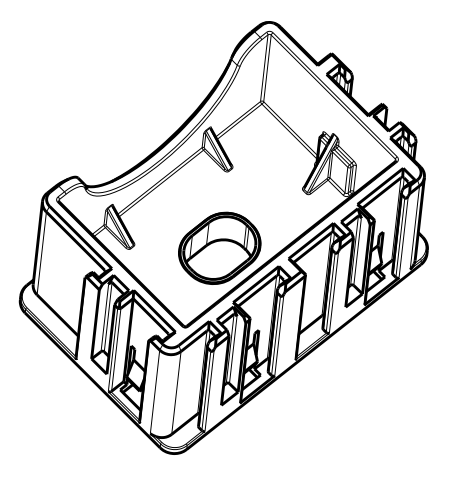


### BRACKET MODULE & INTERFACES

BRACKET MODULE  
90° VERSION  
ASSY  
TE ORDER NUMBER: 2141031-2  
DETAIL INFORMATION SEE CUSTOMER DRAWING



BRACKET MODULE  
180° VERSION  
ASSY  
TE ORDER NUMBER: 2141031-1  
DETAIL INFORMATION SEE CUSTOMER DRAWING



THIS DRAWING IS A CONTROLLED DOCUMENT		H. NEUMER 20081209 R. HECKER 20081209 G. MUMMER 20081209	NAME: OVERVIEW MODULAR HARD WIRED FUSE AND RELAY BOX SIZE: A0 CASE CODE: 114-94092 SHEET: 1 OF 1 SCALE: 5:1 REVISION: A3
DIMENSIONS: mm 0 P.L.C. 2x 1 P.L.C. 2x 2 P.L.C. 2x 3 P.L.C. 2x 4 P.L.C. 2x MATERIAL: - FINISH: -	DIMENSIONS: mm 0 P.L.C. 2x 1 P.L.C. 2x 2 P.L.C. 2x 3 P.L.C. 2x 4 P.L.C. 2x MATERIAL: - FINISH: -	PRODUCT SPEC: 108-94263 APPLICATION SPEC: 114-94090 REG. NO.: 00779 CUSTOMER DRAWING	STE TE Connectivity