

Sliver 2.0 Straddle mount Connector

Application Specification

114-78033

19 SEP 18 Rev 1

**NOTE**

All numerical values are in metric units [with U.S. customary units in brackets]. Dimensions are in millimeters. Unless otherwise specified or indicated as reference, dimensions have a tolerance of ± 0.13 and angles have a tolerance of $\pm 2^\circ$. Figures are not drawn to scale.

1. INTRODUCTION

This specification covers the requirements for application of the Sliver 2.0 Straddle mount that contains 56, 84, 140 and 168 positions. The connector consists of a housing with screwable nut plate and solderable straddle mount contacts having a 0.6mm pitch between centerlines. The connector features a card entry slot that accepts 1.57 ± 0.13 thick integrated circuit card, cover housing to hold the contacts in place, and nut plates that accept screw to secure the connector to the pc board.

The connector is supplied in tray for manual or robotic machine placement.

Basic terms and features of this product are provided in Figure 1.

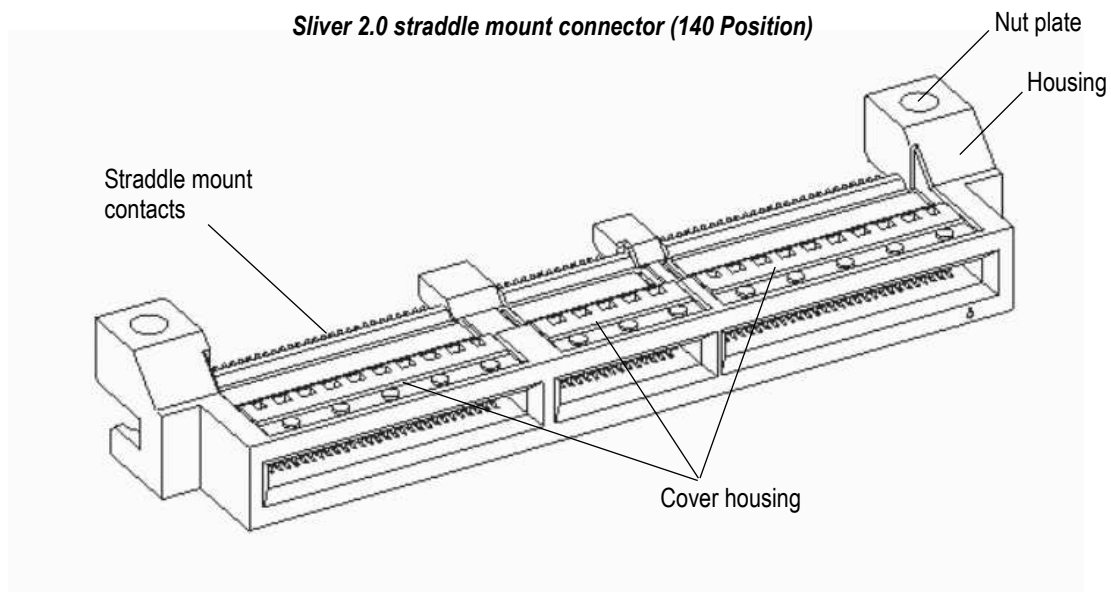


Figure 1

2. REFERENCE MATERIAL

2.1. Revision Summary

Revisions to this application specification include:

- Initial release

2.2. Customer Assistance

Reference Product Base Part Number 2340321(168P), 2340324(140P), 2340326(84P) and 2340331(56P) and Product Code L370 are representative of Sliver 2.0 straddle mount connectors. Use of these numbers will identify the product line and help you to obtain product and tooling information when visiting www.te.com or calling the number at the bottom of page 1.

2.3. Customer Drawings

Customer drawings for product part numbers are available from www.te.com. Information contained in the customer drawing takes priority.

2.4. Specifications

Product Specification [108-140197](#) provides expected product performance and test information.

2.5. Standards

The standard that pertains to this product is:

EIA-364-52, "Solderability of Contact Terminations Test Procedure for Electrical Connectors and Sockets"

3. REQUIREMENTS

3.1. Safety

Do not stack product shipping containers so high that the containers buckle or deform.

3.2. Operating Temperature

The connector is designed to operate in a temperature range of -40°C to 85°C [-40°F to 185°F].

3.3. Material

The housing is made of liquid crystal plastic (LCP), UL 94-V-0. The contacts are made of copper alloy underplated with nickel, plated with tin on the solder tails, and plated with gold or gold equivalent at the interface area.

3.4. Storage

A. Ultraviolet Light

Prolonged exposure to ultraviolet light may deteriorate the chemical composition used in the product material.

B. Shelf Life

The product should remain in the shipping containers until ready for use to prevent deformation to components. The product should be used on a first in, first out basis to avoid storage contamination that could adversely affect performance.

C. Chemical Exposure

Do not store product near any chemical listed below as they may cause stress corrosion cracking in the material.

Alkalies	Ammonia	Citrates	Phosphates	Citrates	Sulfur Compounds
Amines	Carbonates	Nitrites	Sulfur	Nitrites	Tartrates

3.5. PC Board

A. Material and Thickness

The pc board material shall be glass epoxy (FR-4 or G-10). The pc board thickness shall be selected from 1.57, 1.93 and 2.36. The relationship between the pc board thickness and the applicable connector is described in customer drawing.

B. Tolerance

Maximum allowable bow of the board shall be 0.03 over the length of the connector.

C. Circuit Pads

The circuit pads must be solderable in accordance with EIA-364-52.

D. Layout

All holes and circuit pads must be precisely located on the pc board. The pc board layout must be designed using the dimensions provided on the customer drawing for the specific connector. A reference sample of the recommended pc board layout is given in *Figure 2*.

E. Screw hole dimension and trace keep out area

Non-plated through is preferable to screw holes at both ends. In case of plated through intended for electrical connection to other layers, please be careful not to get scratched by screws. The hole size and trace keep out area in inner layer around the hole are given in *Figure 2*.

F. Solder Mask

When soldering, solder mask is recommended between all circuit pads to minimize solder bridging between pads. The mask must not exceed the height of the pad. If a trace is run between adjacent pads on the pc board, a solder mask must be applied over the trace to prevent bridging and wicking of solder away from the connector contact solder tines. Mask most suitable is Liquid Photo Imageable.

Recommended PC Board Layout for 140position

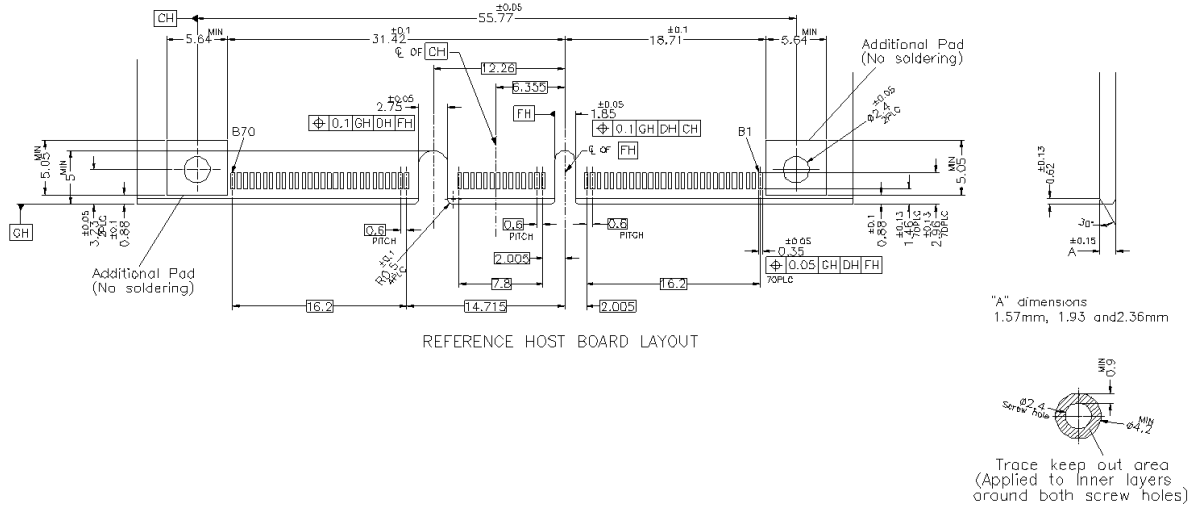


Figure 2

3.6. Soldering

A. Method

1. Print solder paste on all locations of pc board
2. Place straddle mount connector on pc board
3. Complete oven reflow process
4. Tighten screws

B. Process

The connector must be soldered using non-focused infrared (IR) reflow or equivalent soldering technique. Reflow temperature and time may vary depending on the size of the pc board and placement of other components. This connector can be subjected to the reflow temperature and approximate time specified in

Figure 3.

It is recommended that component temperatures not exceed the temperatures and times given in

Figure 3.

C. Solder Paste Characteristics

1. Alloy type for lead-free solder shall be compatible with pure tin or gold, for example, SAC305 (96.6 Sn/3 Ag/0.5 Cu) or SAC405 (95.5 Sn/4 Ag/0.5 Cu)
2. Flux incorporated in the paste shall be rosin, mildly active (RMA) type.
3. Paste will be at least 80% solids by volume.
4. Minimum viscosity of screen print shall be 5×10^4 cp (centipoise).
5. Minimum viscosity of stencil print shall be 7.5×10^4 cp (centipoise).



NOTE
Solder volume may vary depending on solder paste composition.

D. Solder Paste Thickness

Solder paste thickness for the connector contact solder tines must be at least 0.12.

E. Stencil

The stencil aperture may be any shape as long as it prevents solder bridging from one pad to another. The stencil should be 0.12 or 0.15 thick.

The stencil should include circuit pads for the contacts and exclude additional pads around screw holes. The stencil layout must be designed using the dimensions provided on the customer drawing for the specific connector and must be designed so that solder paste wiped by straddle mount contact tines doesn't cause solder bridging. A reference sample of the stencil layout is given in *Figure 4*.

F. Solder Volume

Minimum solder volume (V) (before curing) for each circuit pad is calculated as follows:

$$0.9 \text{ (stencil opening length)} \times 0.35 \text{ (stencil opening width)} \times 0.12 \text{ (stencil thickness)} = 0.0378 \text{ mm}^3 \text{ (V)}$$

$$0.9 \text{ (stencil opening length)} \times 0.28 \text{ (stencil opening width)} \times 0.15 \text{ (stencil thickness)} = 0.0378 \text{ mm}^3 \text{ (V)}$$



CAUTION
Excessive temperatures may cause connector housing degradation or plating deterioration.

Reflow Soldering Process Cycle
Lead-Free Solder (Maximum 260°C [500°F])

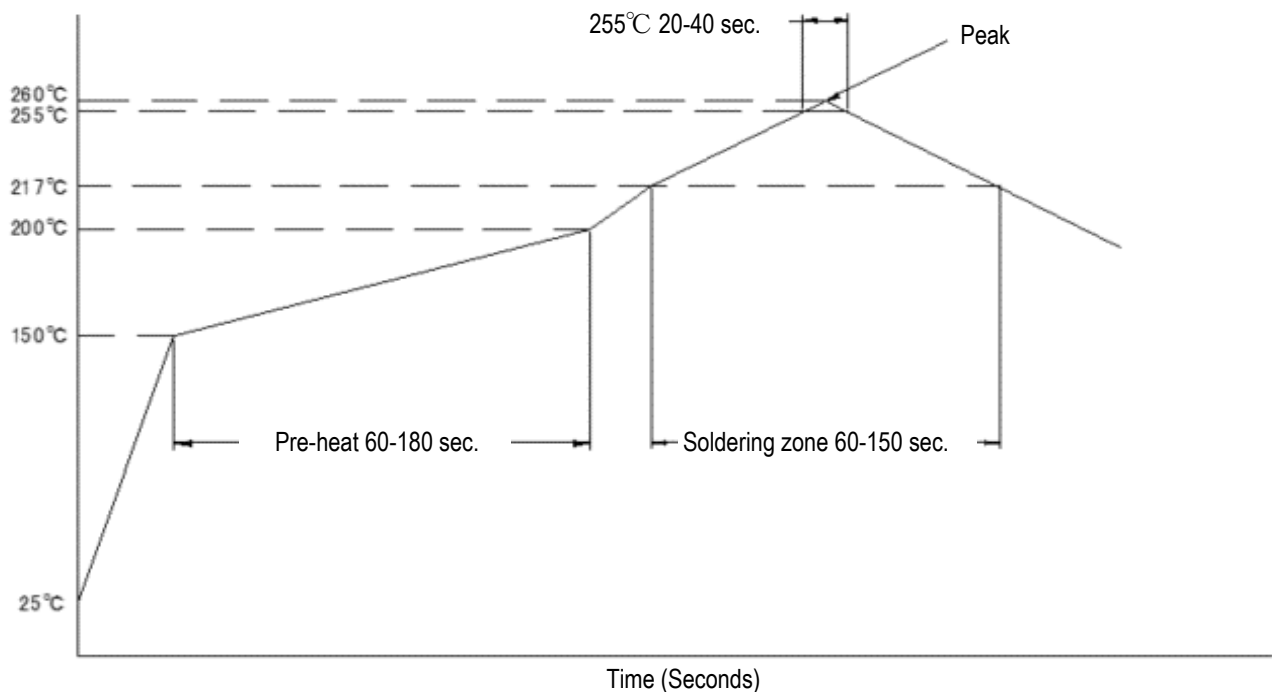
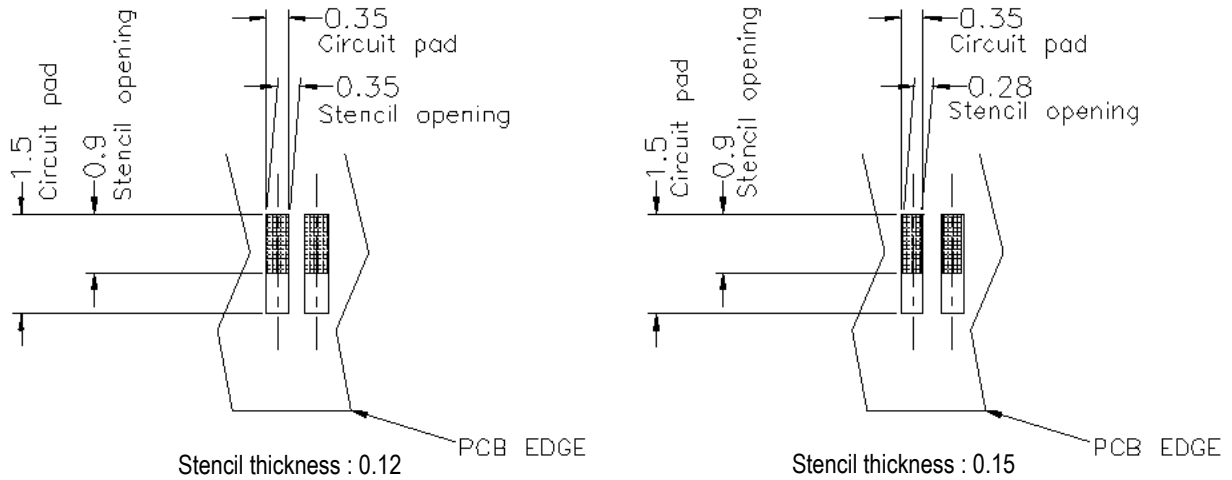


Figure 3



Reference stencil opening size for each circuit pad

Figure 4

G. Cleaning

After soldering, removal of fluxes, residues, and activators is necessary. Consult with the supplier of the solder and flux for recommended cleaning solvents. Cleaners must be free of dissolved flux and other contaminants. Inside of mating slot should not be cleaned by the solvents. If using aqueous cleaner, standard equipment such as a soak-tank or an automatic in-line machine should be used. Common cleaning solvents that will not affect this connector are listed in Figure 5.



DANGER

Consideration must be given to toxicity and other safety requirements recommended by the solvent manufacturer. Refer to the manufacturer's material safety data sheet (MSDS) for characteristics and handling of cleaners. Trichloroethylene and methylene chloride is not recommended because of harmful occupational and environmental effects.

CLEANER		TIME (Minutes)	TEMPERATURE (Max)
NAME	TYPE		
ALPHA 2110	Aqueous	1	132°C [270°F]
BIOACT EC-7	Solvent	5	100°C [212°F]
Butyl CARBITOL	Solvent	1	Ambient Room
Isopropyl Alcohol	Solvent	5	100°C [212°F]
KESTER 5778	Aqueous		
KESTER 5779	Aqueous		
LONCOTERGE 520	Aqueous		
LONCOTERGE 530	Aqueous		
Terpene	Solvent		

Figure 5

H. Drying

When drying cleaned assemblies and pc boards, temperature limitations must not be exceeded: 85°C [185°F]. Excessive temperatures may cause connector housing degradation.

3.7. Connector Placement

**CAUTION**

Connectors should be handled only by the housing to avoid deformation, contamination, or damage to the contact solder tines.

Each contact solder tine must be seated on its pc board circuit pad. Optimally, the tines should be centered on the pc board circuit pads; however, slight misalignment is permissible.

3.8. Checking Installed Connector

It is recommended that all solder joints conform to the requirements specified in Workmanship Specification [101-21](#) and all other requirements specified in this document. The solder fillets must be evenly formed around each contact solder tine. Solder must have 95% minimum coverage over the circuit pad.

3.9. Removal and Repair

Standard de-soldering methods must be used to remove the connector from the pc board. The connector must not be re-used after removal. The connector is not repairable. Defective or damaged product must not be used.

4. TOOLING

No tooling is required for manual placement of the connectors onto the pc board unless there is some issue in line operation.

For automatic machine placement, the robotic equipment must have a true position accuracy tolerance sufficient to properly locate the connector. This includes gripper and fixture tolerances as well as equipment repeatability. It must use the connector datum surfaces given on the customer drawing to ensure reliable placement.

5. SCREW TIGHTENING TORQUE

For screw tightening torque, refer to figure 6.

The screwing shall be applied after soldering.

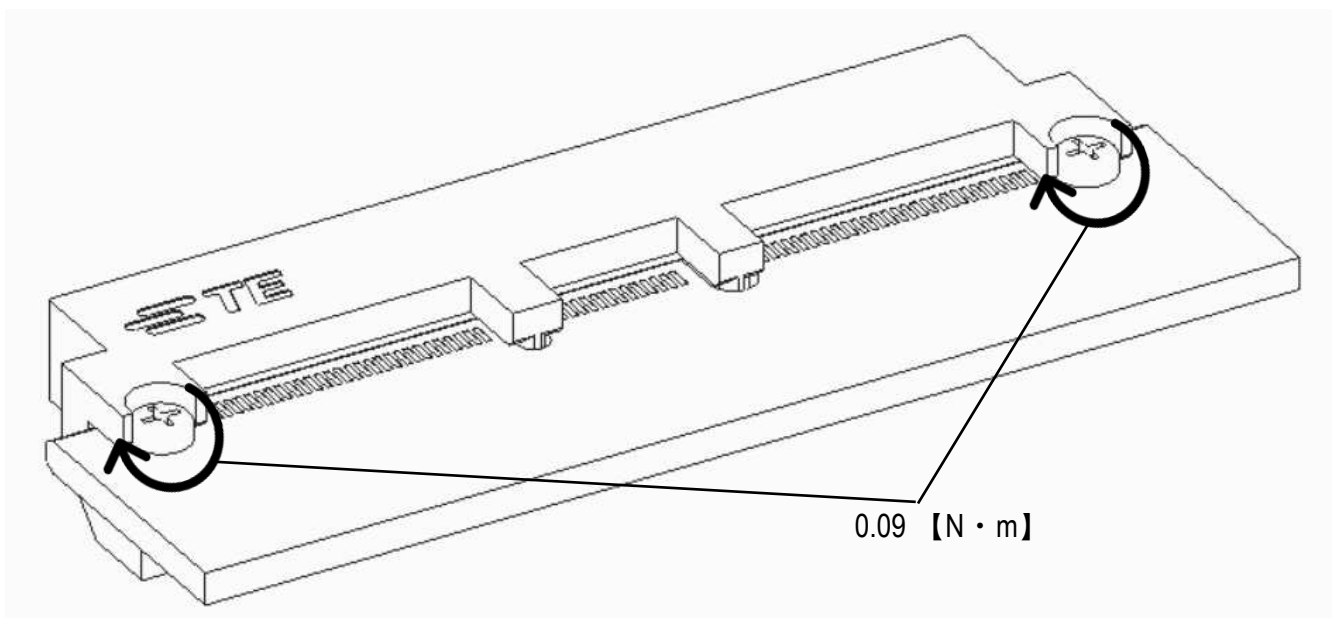


Figure 6

6. VISUAL AID

The illustration below shows a typical application of Sliver 2.0 straddle mount connector. This illustration should be used by production personnel to ensure a correctly applied product. Applications which do not appear correct should be inspected using the information in the preceding pages of this specification and in the instructional material shipped with the product or tooling.

Straddle Mount Connector

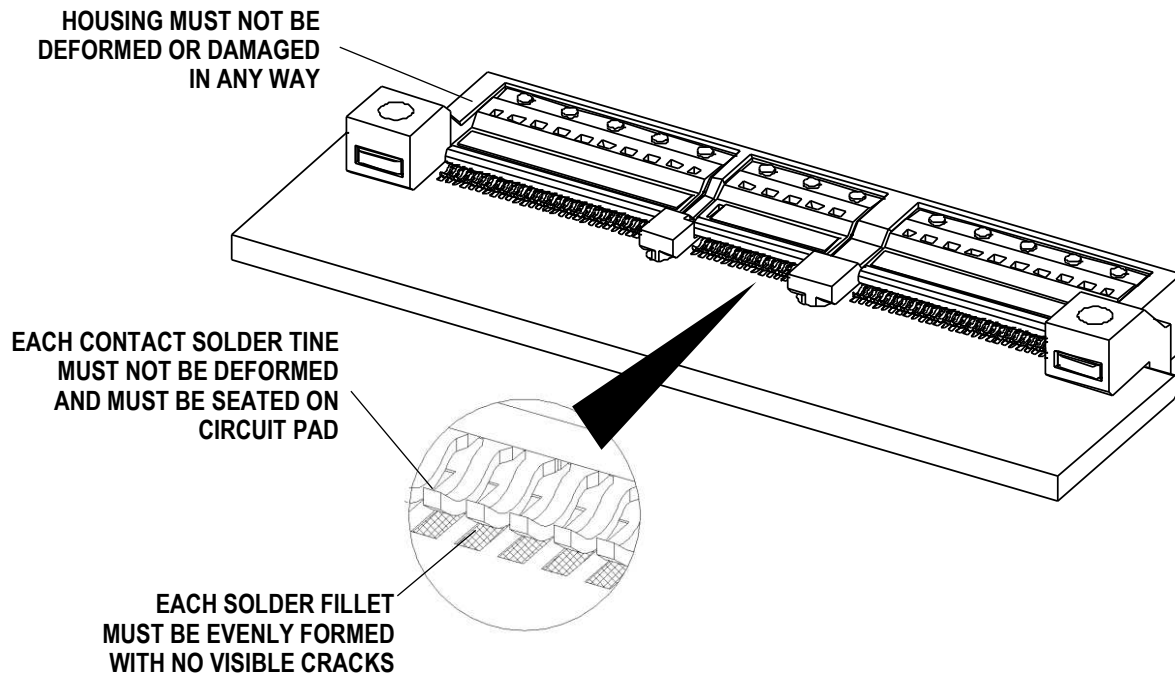


FIGURE 7. VISUAL AID