

THIS DRAWING IS UNPUBLISHED.

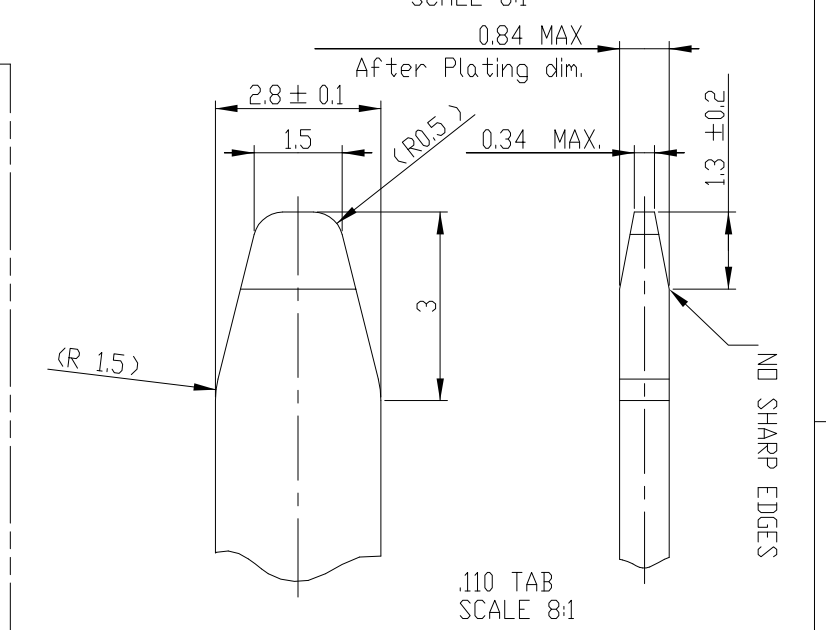
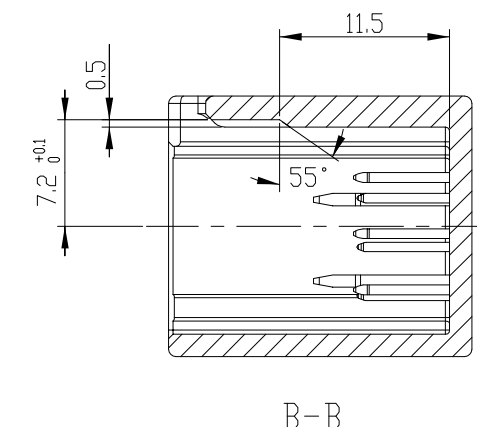
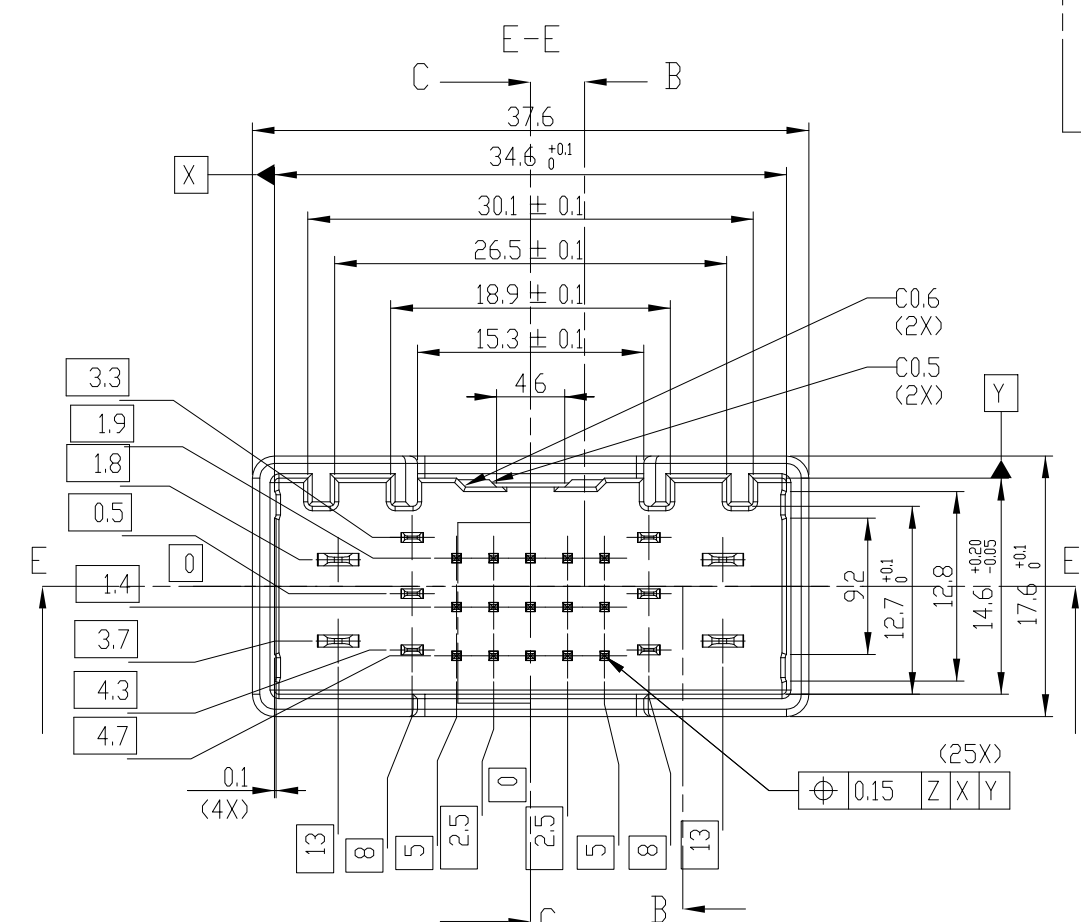
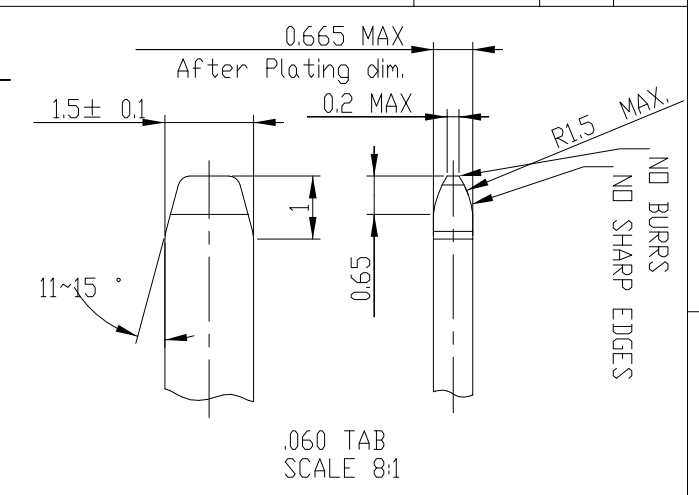
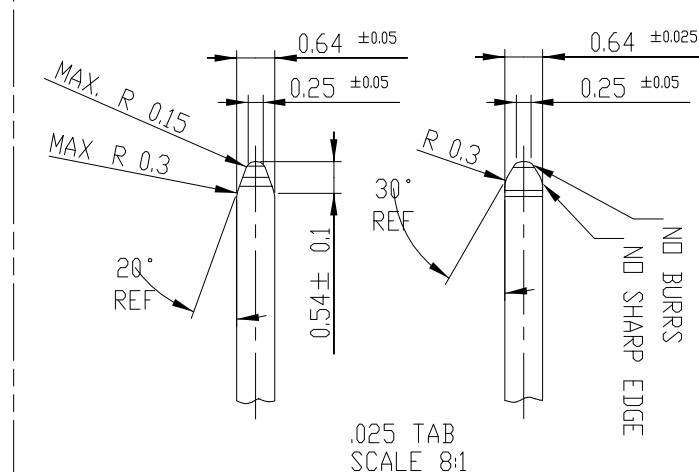
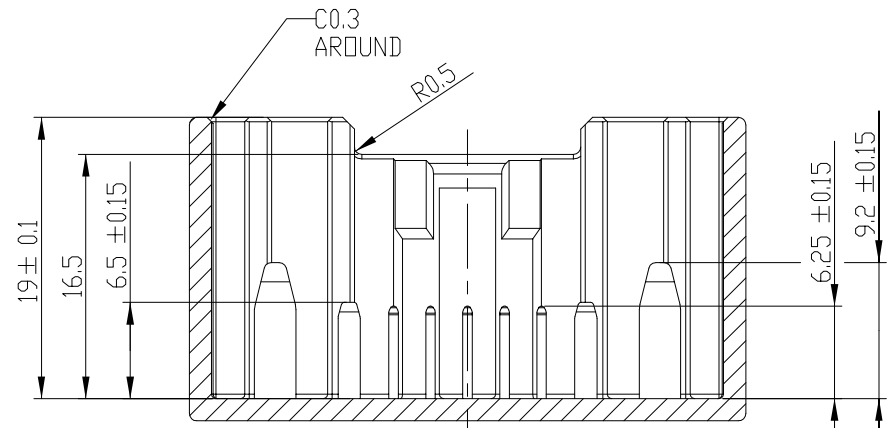
RELEASED FOR PUBLICATION

20


© COPYRIGHT 20 BY -

ALL RIGHTS RESERVED.

LOC	DIST	REVISIONS					
		P	LTR	DESCRIPTION	DATE	DWN	APVD
DS	-	A		RELEASED	24.SEP.15	WY	HG



- NOTES;
- GENERAL TOLERANCE: ±0.15, ±1°
  - 0.15 MAX WARPAGE, 0.15 MAX FLASH, 0.15MAX SINK ARE PERMISSBLE
  - ALL RADII & CHAMFER ARE 0.5 EXCEPT AS INDICATED
  - MATING CONNECTOR: 2109520-2
  - WARPAGE: MAX 0.1

THIS DRAWING IS A CONTROLLED DOCUMENT.		DWN WY JANG	 TE Connectivity		
DIMENSIONS: mm		CHK KT LIM			
TOLERANCES UNLESS OTHERWISE SPECIFIED:		APVD HG CHO	NAME INTERFACE DRAWING FOR HYB 25P PLUG ASSY		
0 PLC ± 1 PLC ± 2 PLC ± 3 PLC ± 4 PLC ± ANGLES ± FINISH -		PRODUCT SPEC -	DRAWING NO C-114-61056		
MATERIAL -		APPLICATION SPEC -	SIZE A3	CAGE CODE 00779	RESTRICTED TO -
		WEIGHT -	SCALE 1:1		
		CUSTOMER DRAWING	SHEET 1 OF 1		
			REV A		