



# Application Specification

114-61030

Rev. B4

The performance of applicable product is guaranteed only when processed by proper application tooling and condition described in this specification and/or TE recognized ones.  
No product is guaranteed when processed with the other tool or condition.

## .025 Tab/Recep. Contacts

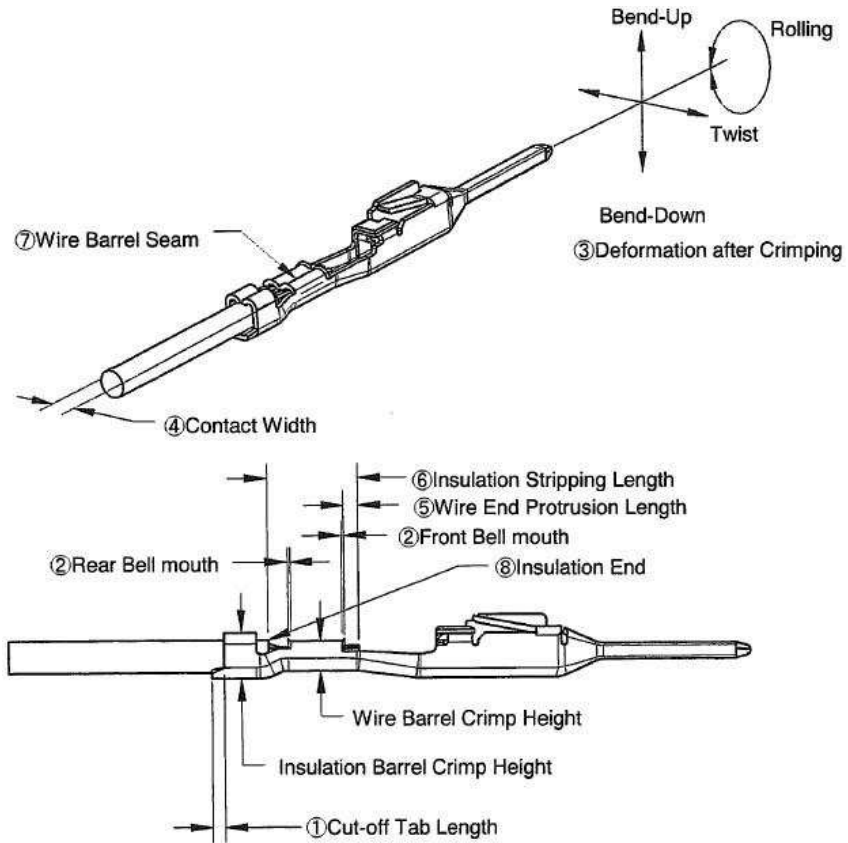
### 1. Scope

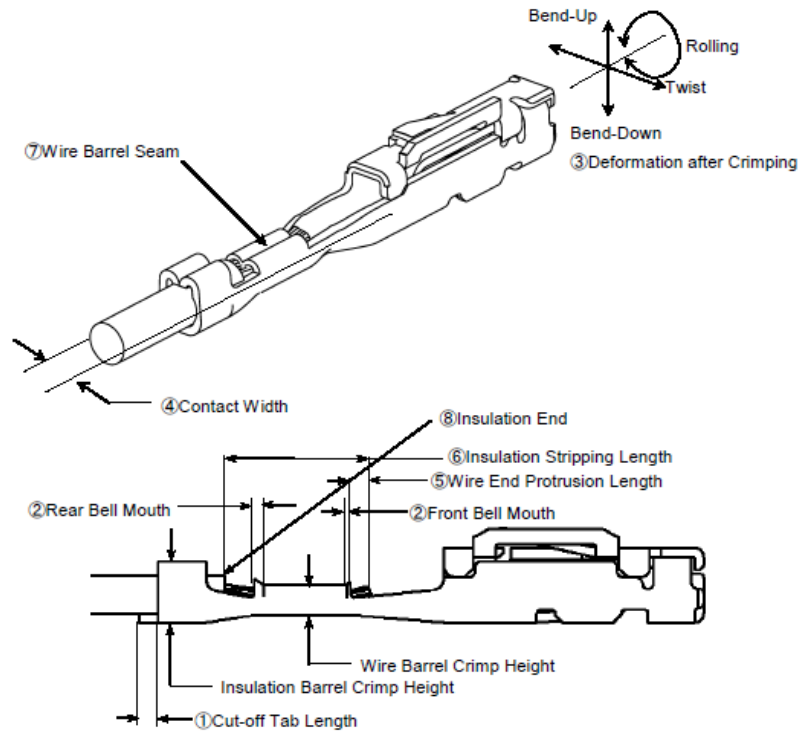
This specification covers the requirements for crimping of the .025 Tab/Recep contacts.

### 2. Applicable Contacts

Type	TE PN	Material	Finish	Applicable Wires Nominal Size
Tab	2005098-1	Brass (C2600)	Pre-Tinned	0.13-0.22 SQ
	2005098-2	Brass (C2600)	Selective Gold	0.13-0.22 SQ
	2005154-1	Brass (C2600)	Pre-Tinned	0.3-0.5 SQ
	2005154-2	Brass (C2600)	Selective Gold	0.3-0.5 SQ
	2350583-1	Brass (C2680)	Pre-Tinned	0.13-0.22 SQ
	2350583-2	Brass (C2680)	Pre-Tinned	0.3-0.5 SQ
	2188445-1	CuNiSi	Pre-Tinned	0.13-0.22 SQ
	2188445-2	CuNiSi	Pre-Tinned	0.3-0.5 SQ
Recep.	2005097-1	CuNiSi	Pre-Tinned	0.13-0.22 SQ
	2005427-1	CuNiSi	Pre-Tinned	0.3-0.5 SQ
	2188446-1	CuNiSi	Pre-Tinned	0.13-0.22 SQ
	2188446-2	CuNiSi	Pre-Tinned	0.3-0.5 SQ
	2366531-1	CuNiSi	Pre-Tinned	0.13-0.22 SQ
	2366531-2	CuNiSi	Pre-Tinned	0.3-0.5 SQ
	5-2366531-1	CuNiSi	Pre-Tinned	0.13~0.22SQ
	5-2366531-2	CuNiSi	Pre-Tinned	0.3~0.5SQ

### 3. Nomenclature





#### 4. Crimping Conditions

Check Items		Acceptance Criteria	Remarks
1	Cut-off Tab Length	0.1 - 0.5 mm	
2	Bellmouth	Front	0.2 mm Max
		Rear	0.1 - 0.4 mm
3	Deformation after Crimping	Bend	-1°, +2°Max
		Twist	±4°Max
		Rolling	±10°Max
4	Contact Width after Crimping	1.6 mm Max	
5	Wire End Protrusion Length	>0 - 1 mm	
6	Insulation Stripping Length	3.0 – 3.5 mm (Before Crimping)	
7	Wire Barrel Seam	Seam must be closed (No strands loose out of the seam)	
8	Insulation End	Insulation End must be locate between wire barrel and insulation barrel	

## 5. CRIMP DATA

TE PN	Wire Size (mm <sup>2</sup> )	Insulation Range Ø (mm)	Wire Barrel Crimp		Insulation Barrel Crimp	
			Width (mm)	Height (mm)	Width (mm)	Height (mm)
5-2366531-1	0.13	0.9 – 1.0	0.94 "F"	0.58 ±0.02	1.38 "F"	1.36 ±0.1
2005098-1 2005098-2 2350583-1 2188445-1 2005097-1 2188446-1 2366531-1			1.17 "F"	0.76 ±0.02	1.57 "F"	1.55 ±0.1
5-2366531-1	0.22	1.0 – 1.2	0.94 "F"	0.64 ±0.02	1.4 "F"	1.38 ±0.1
2005098-1 2005098-2 2188445-1 2005097-1 2188446-1 2366531-1			1.17 "F"	0.82 ±0.03	1.57 "F"	1.63 ±0.1
2350583-1				0.69 ±0.03		
5-2366531-2	0.3/0.35	1.4 – 1.6	1.2 "F"	0.71 ±0.02	1.4 "F"	1.75 ±0.1
2005154-1 2005154-2 2188445-2 2005427-1 2188446-2 2366531-2			1.4 "F"	0.96 ±0.03		
2350583-2				0.92 ±0.03		
5-2366531-2	0.5	1.6 – 1.7	1.2 "F"	0.83 ±0.02	1.4 "F"	1.85 ±0.1
2005154-1 2005154-2 2350583-2 2188445-2 2005427-1 2188446-2 2350583-2			1.4 "F"	1.01 ±0.03		
2366531-2				0.97 ±0.03		

Note: Crimp Width dimension are not the product width after crimping, but given by the width of crimper slot for reference