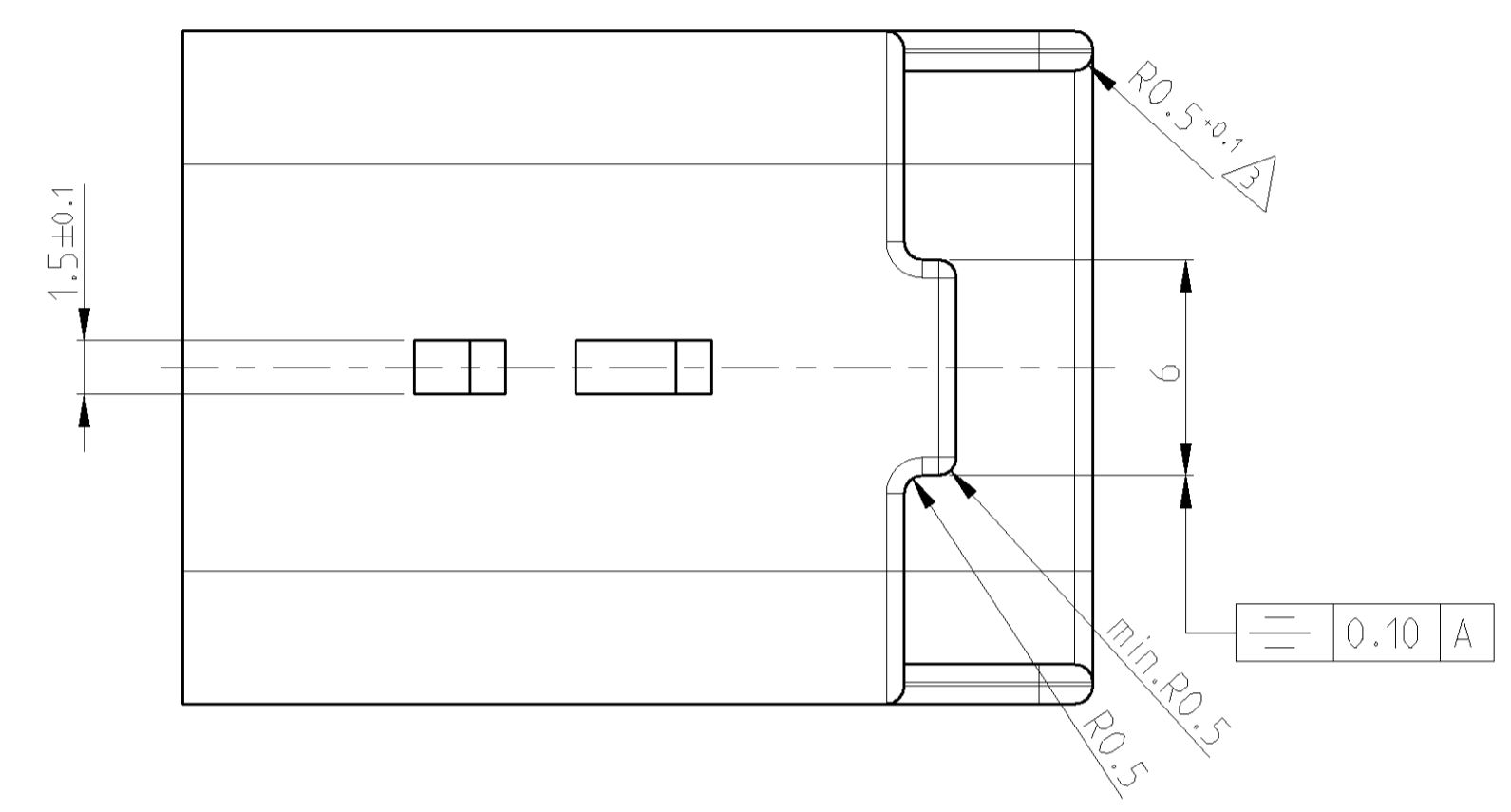
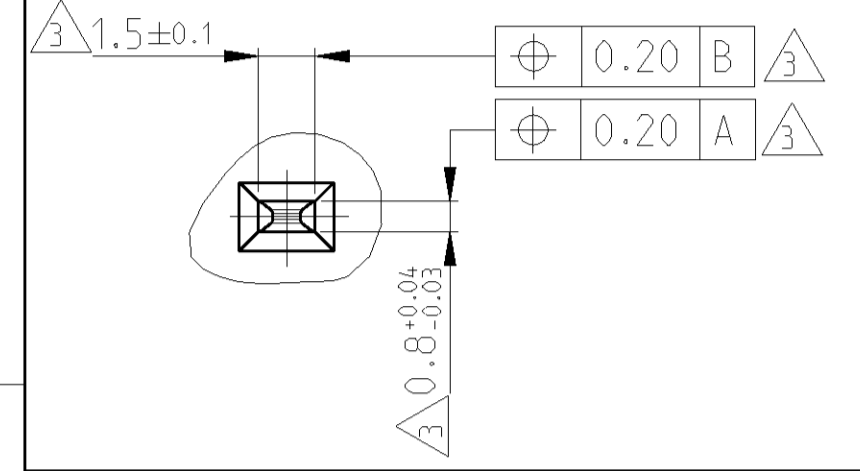
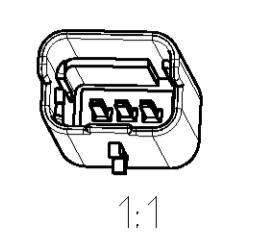
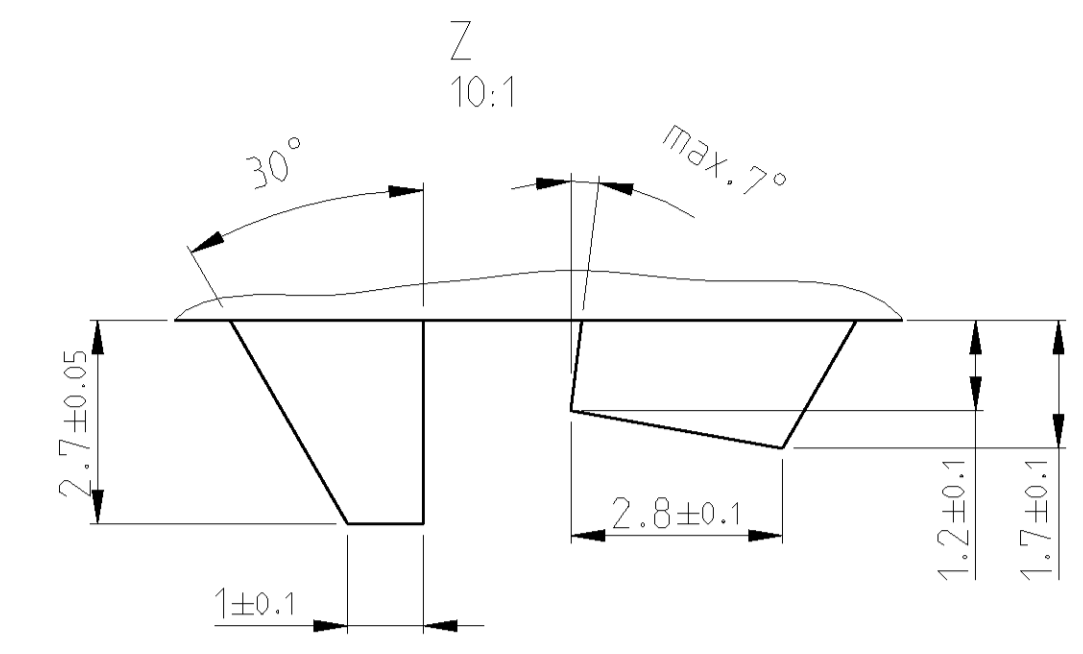
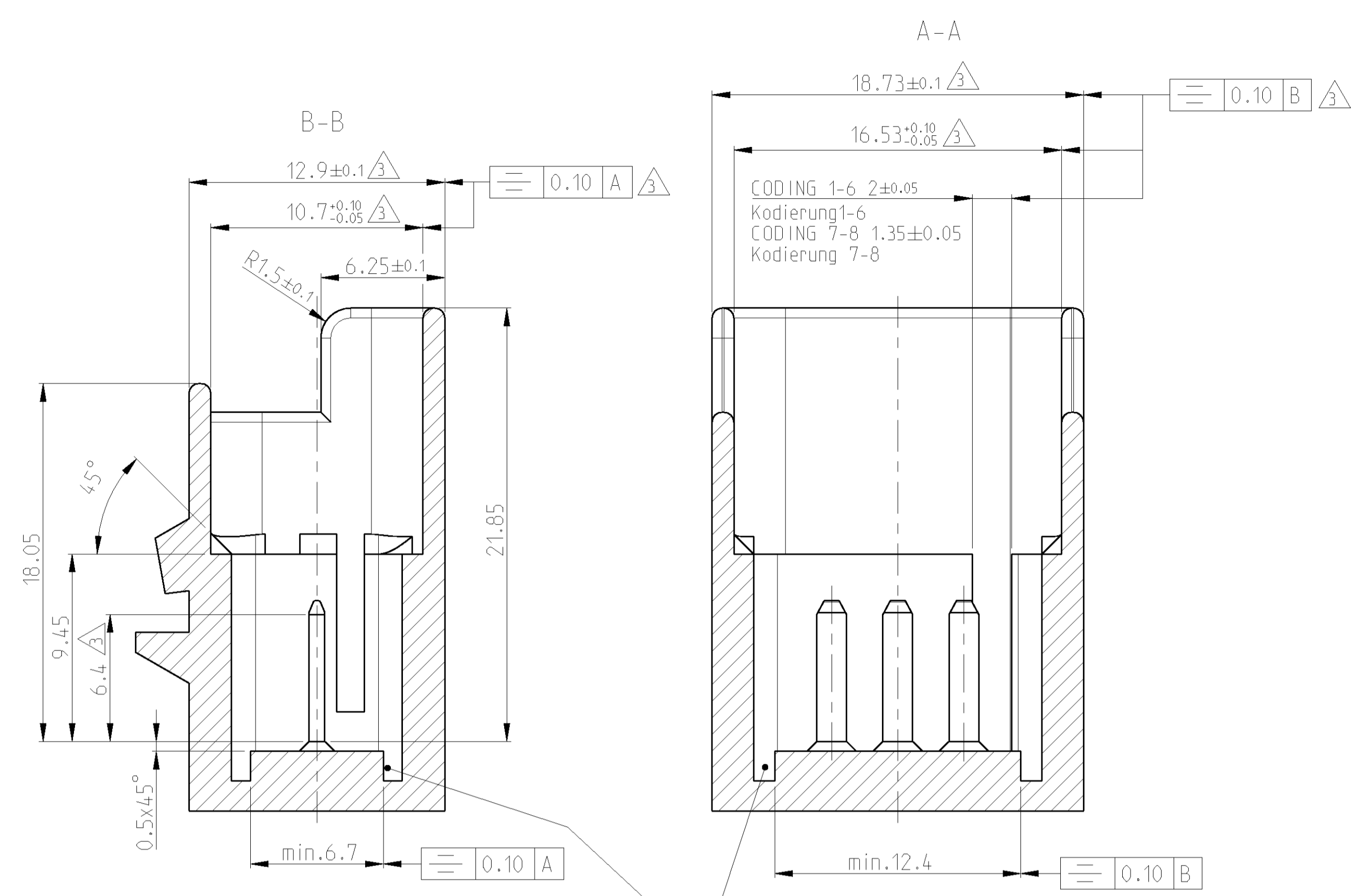
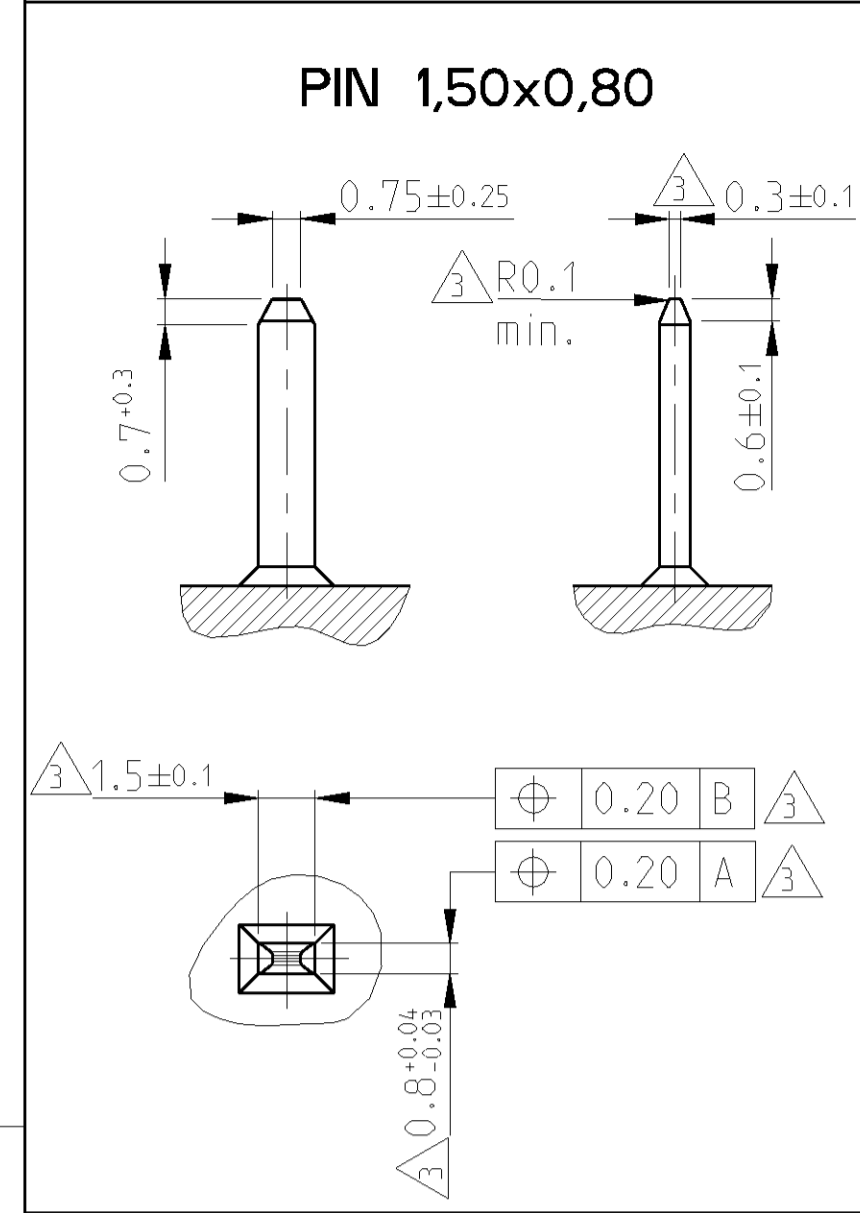
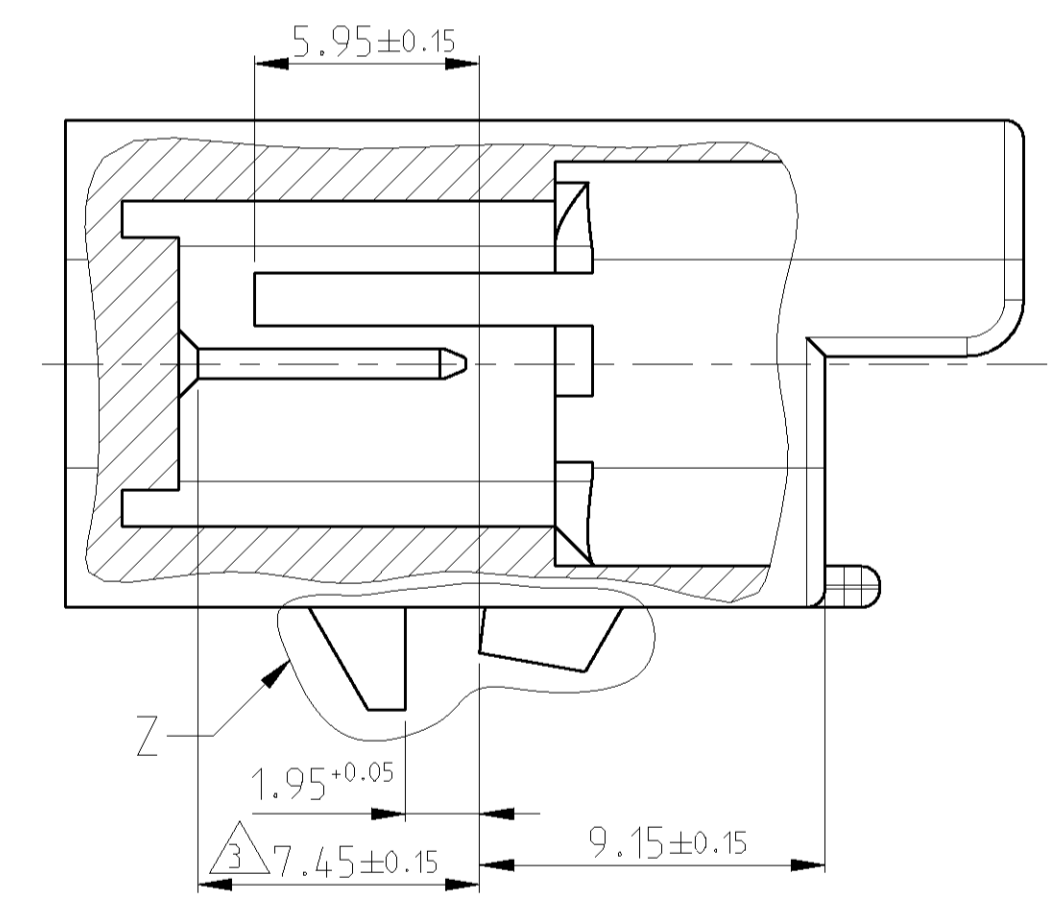
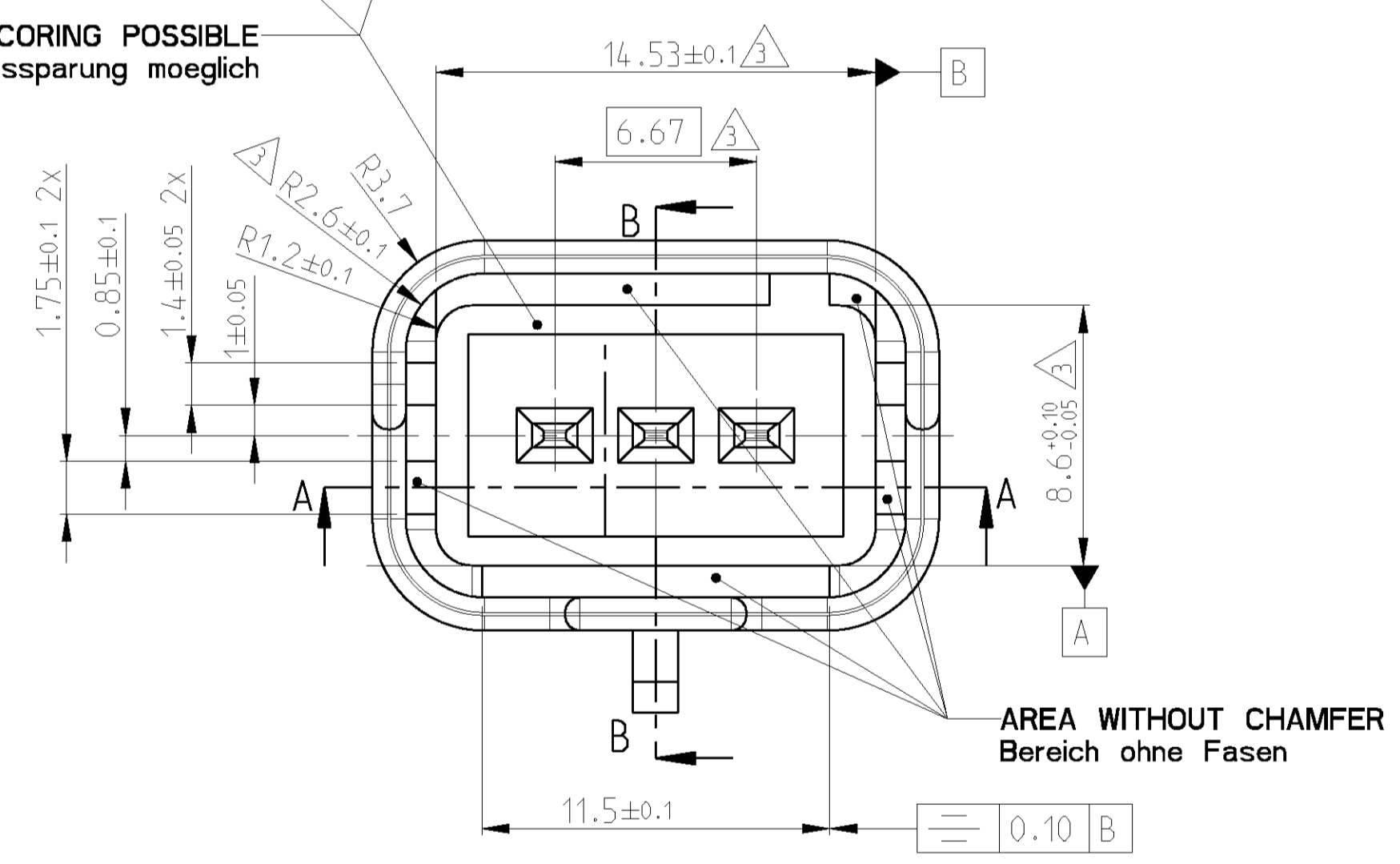


REVOLUTIONS		DATE	DWN	APVD
P. LTR	DESCRIPTION			
A	NEW DRAWING	15APR2009	GP	GM



VOID CORING POSSIBLE  
 Materialausparung moeglich



- NOTES:
- RADIUS WITHOUT DIMENSION:  
MIN. R: 0.50
  - TAB PLATING:  
1.5 - 4 μm Sn OVER 1.3 - 2.2 μm Ni  
ELECTROPLATED TIN (MATTE)  
OR  
1 - 3 μm Sn  
TIN HOT DIPPED  
OR  
0.8 - 1.5 μm Au OVER 1.3 - 2.2 μm Ni
- △ SIGNIFICANT DIMENSION

### CODINGS Kodierungen

COLOUR Farbe	BLACK Schwarz	BLUE Blau	GREY Grau	YELLOW Gelb	GREEN Gruen	BROWN Braun	WHITE Weiss	ORANGE Orange
CODING Kodierung	1	2	3	4	5	6	7	8
TOLERANCE ±0.05 Toleranz ±0.05	△ 5.75	△ 3.85	△ 1.95	△ 0.05	1.85 △	3.75 △	(7.265) △ 1.35	(7.265) △ 1.35
2:1								

DIMENSIONS: mm		TOLERANCES UNLESS OTHERWISE SPECIFIED:		DWN: G.PLUCKEL 15APR2009 CHK: K.ROTH 16APR2009 APVD: G.MUMMER 21APR2009		Tyco Electronics Tyco Electronics AMP GmbH 64425 Bensheim (Germany)	
MATERIAL: -		FINISH: -		NAME: 3 WAY INTERFACE SPECIFICATION 3 x 1.50x0.80		RESTRICTED TO: -	
CUSTOMER DRAWING		SCALE: 5:1		SHEET: 1 OF 1		REV: A	