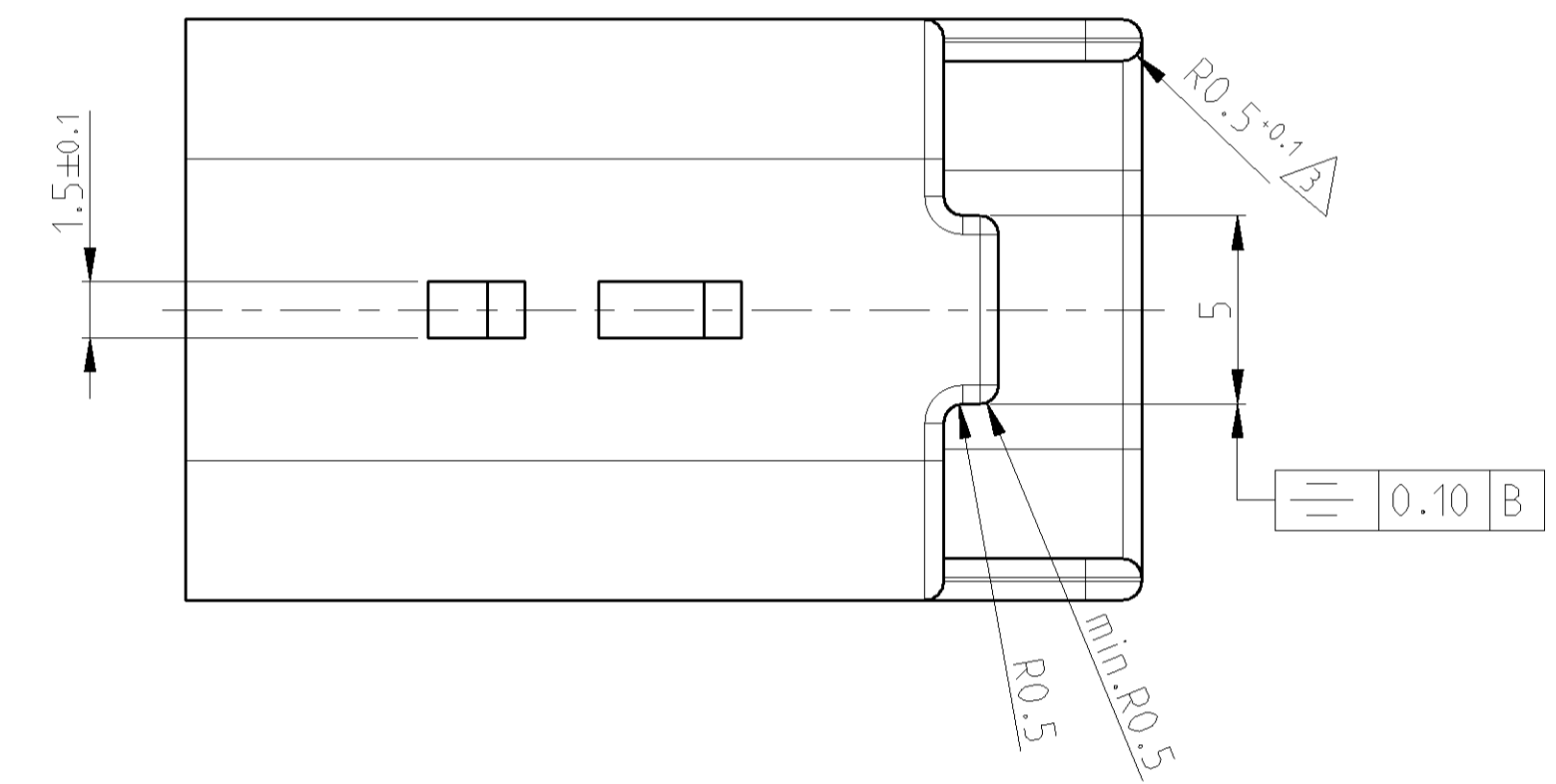
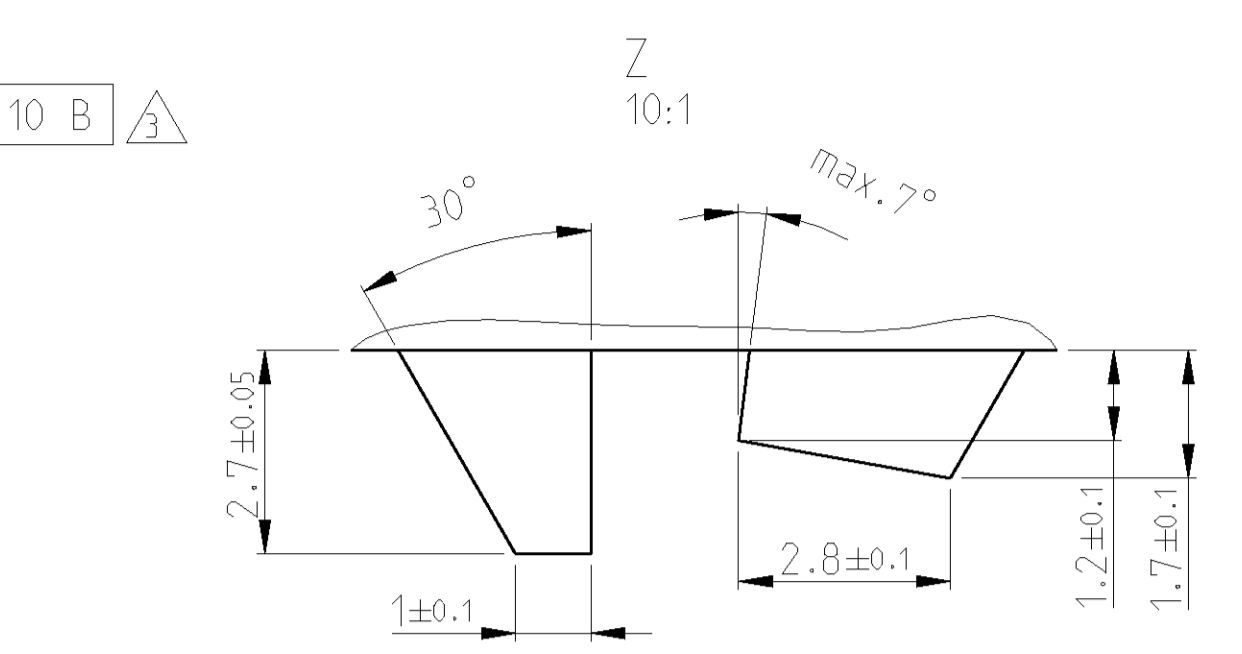
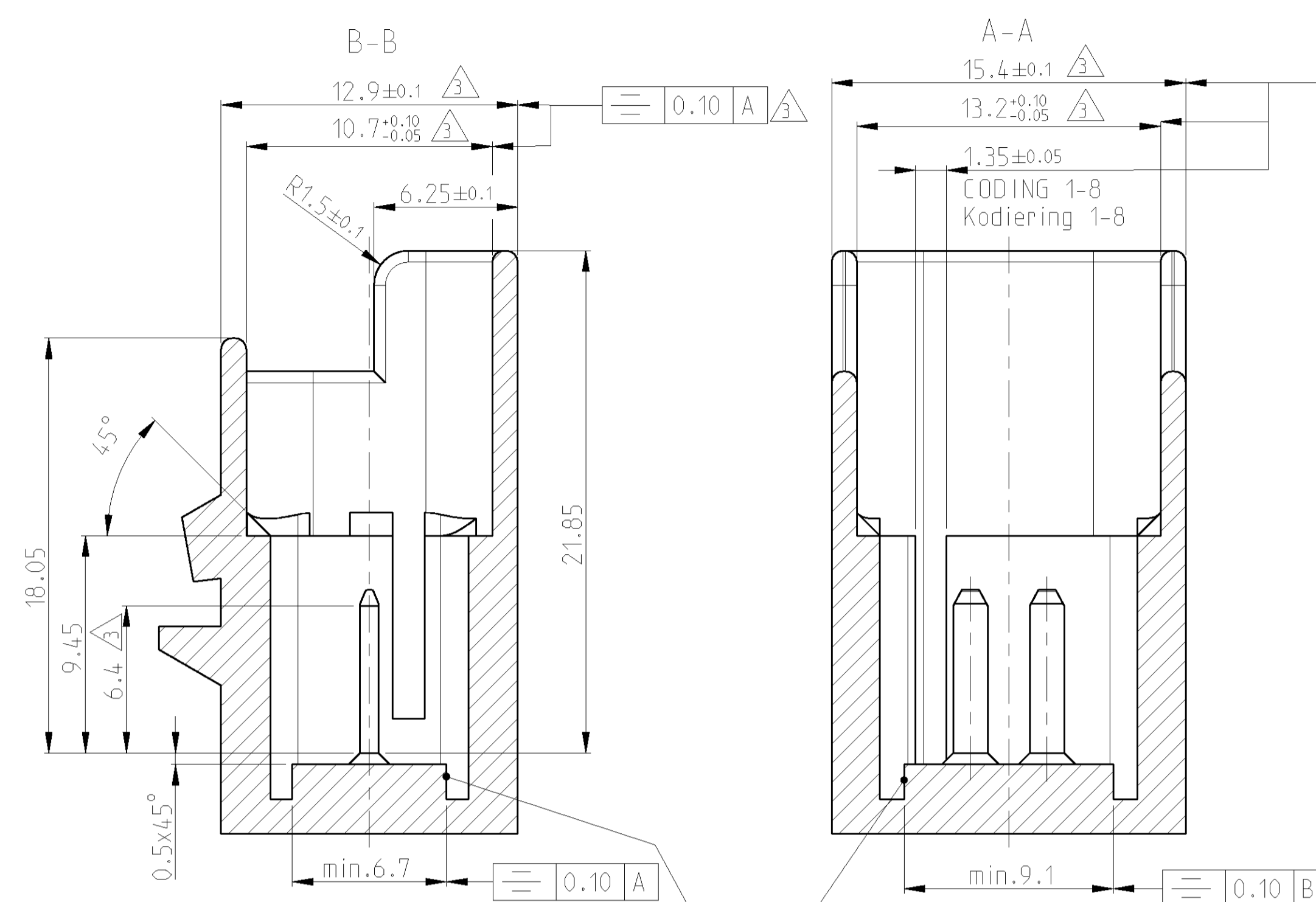
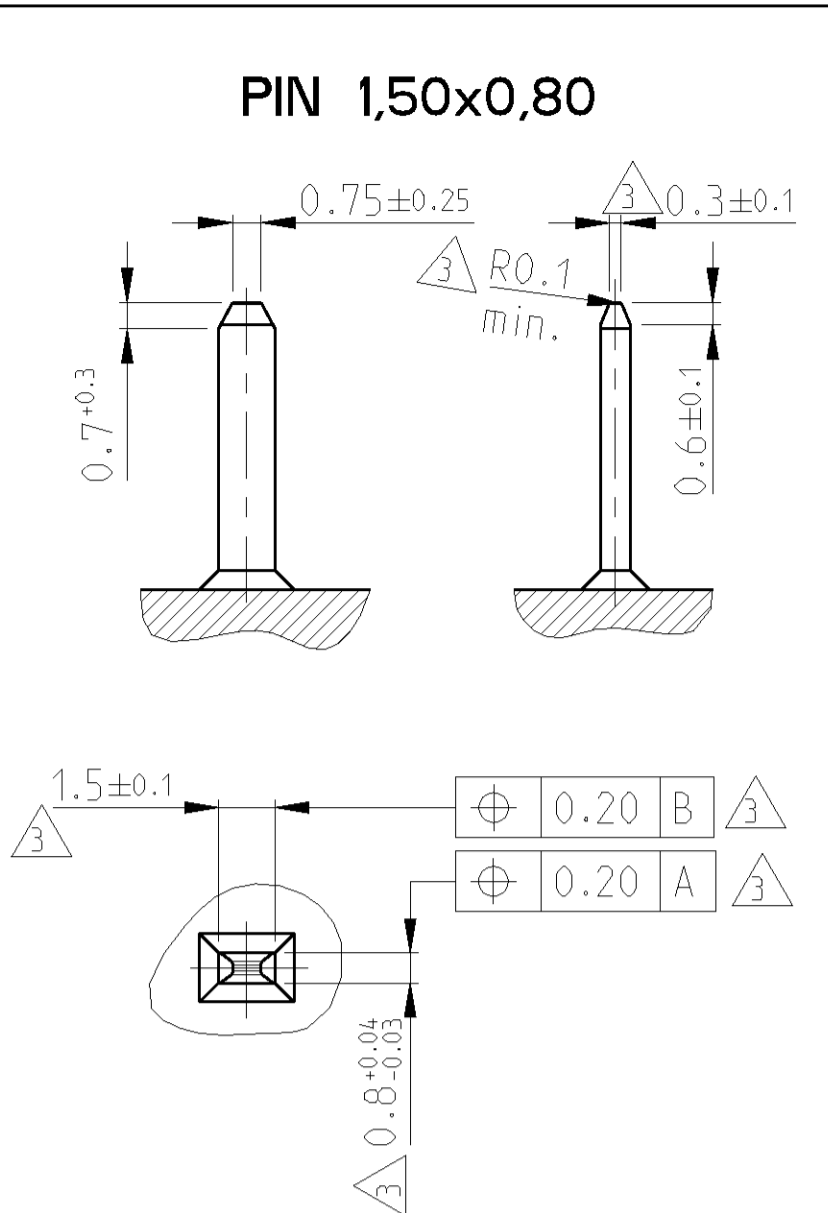
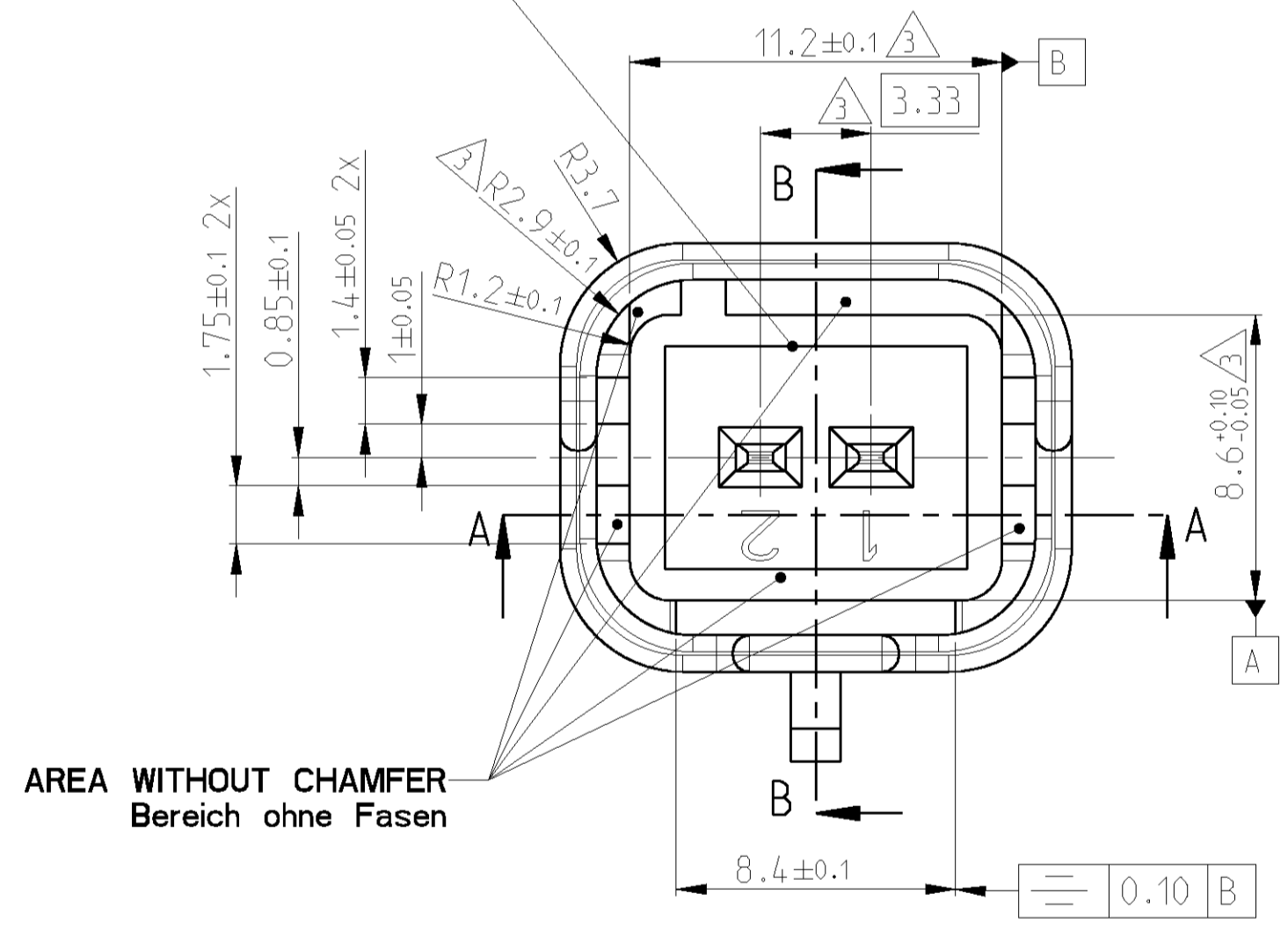


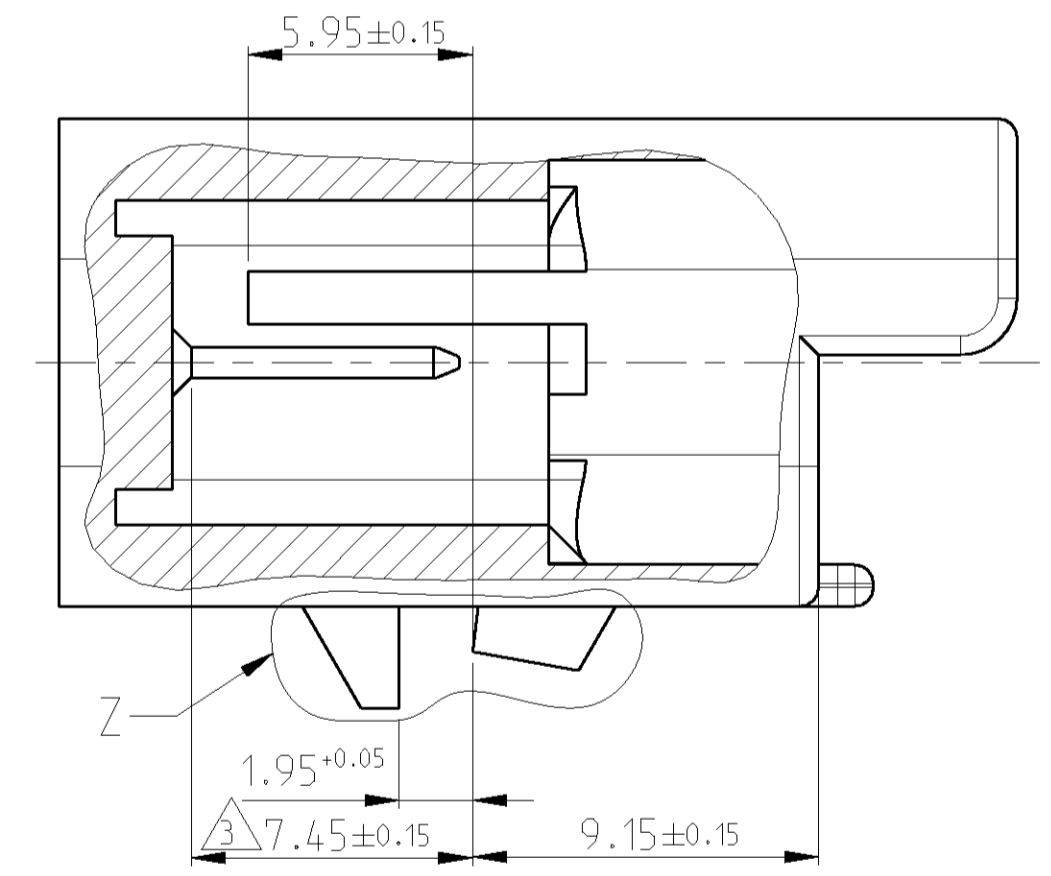
REVISONS		DATE	DWN	APVD
P. LTR	DESCRIPTION			
A	NEW DRAWING	15APR2009	GP	GM



VOID CORING POSSIBLE  
 Materialausparung moeglich



AREA WITHOUT CHAMFER  
 Bereich ohne Fasen



NOTES:

- RADIUS WITHOUT DIMENSION:  
MIN. R: 0.50
  - TAB PLATING:  
1.5 - 4 µm Sn OVER 1.3 - 2.2 µm Ni  
ELECTROPLATED TIN (MATTE)  
OR  
1 - 3 µm Sn  
TIN HOT DIPPED  
OR  
0.8 - 1.5 µm Au OVER 1.3 - 2.2 µm Ni
- △ SIGNIFICANT DIMENSION

CODINGS  
 Kodierungen

COLOUR Farbe	BLACK Schwarz	BLUE Blau	GREY Grau	YELLOW Gelb	GREEN Gruen	BROWN Braun	WHITE Weiss	RED Rot	ORANGE Orange
CODING Kodierung	1	2	3	4	5	6	7	8	9
TOLERANCE ±0.05 Toleranz ±0.05	4.05	2.7	1.35	0	1.35	2.7	1.35 (11.2)	1.35 (11.2)	
2:1									

DIMENSIONS: mm		TOLERANCES UNLESS OTHERWISE SPECIFIED:		DWN: G. PUCKEL 15APR2009		EWA: K. ROTH 16APR2009		APVD: S. MUMMER 21APR2009		Tyco Electronics Tyco Electronics AMP GmbH 64425 Bensheim (Germany)	
MATERIAL: -		FINISH: -		NAME: 2 WAY INTERFACE SPECIFICATION 2 x 1.50x0.80		PRODUCT SPEC: -		APPLICATION SPEC: -		SIZE: CAGE CODE: DRAWING NO: A1 00779 C=114-18976	
CUSTOMER DRAWING		SCALE: 5:1		SHEET: 1 OF 1		REV: A		RESTRICTED TO: -			