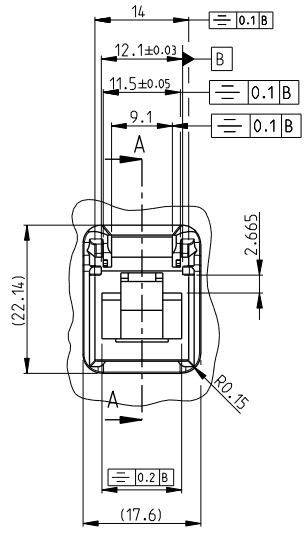
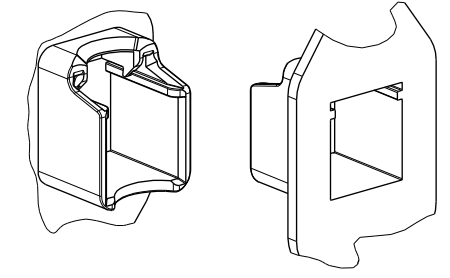
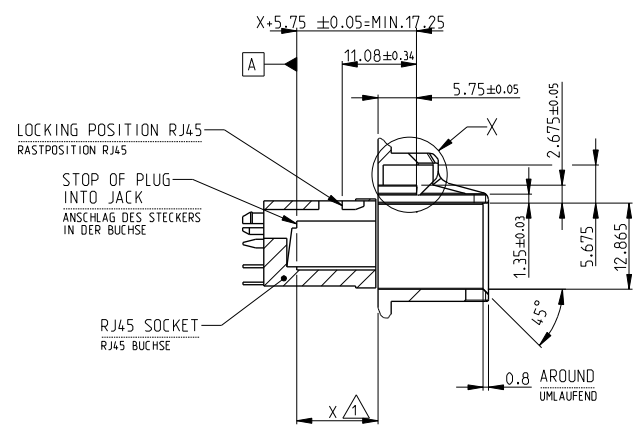


DWG NO 114-18961

THIS DRAWING IS A CONTROLLED DOCUMENT



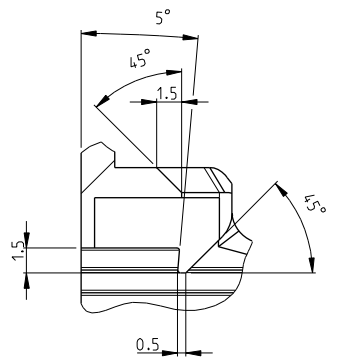
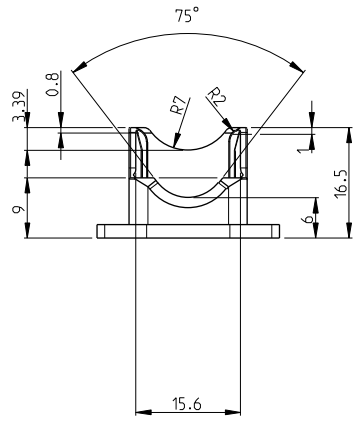
SECTION A-A  
SCHNITT A-A



△ DIMENSION X ACCORDING TO:  
FCC 68 PART F  
EN60603-7-1:2002  
DEFAULTS BY SUPPLIER OF RJ45 JACK  
TOLERANCES OF MOUNTING

△ MASS X ERGIBT SICH AUS:  
FCC 68 PART F  
EN60603-7-1: 2002  
MASSVORGABEN DES HERSTELLERS (RJ45 JACK)  
MONTAGETOLERANZEN

DETAIL X  
EINZELHEIT X  
SCALE 5:1 / M 5:1



APPLICABLE FOR:	EINSETZBAR FUER:
P/N 1903526-1	P/N 1903526-1
P/N 1903527-1	P/N 1903527-1
P/N 1987328-1	P/N 1987328-1
P/N 1987236-1/-2/-3/-4	P/N 1987236-1/-2/-3/-4
P/N 2040428-1	P/N 2040428-1

THIS INFORMATION IS CONFIDENTIAL AND PROPRIETARY TO TYCO ELECTRONICS CORPORATION AND ITS WORLDWIDE SUBSIDIARIES AND AFFILIATES. IT MAY NOT BE DISCLOSED TO ANYONE OTHER THAN TYCO ELECTRONICS PERSONNEL. IF YOU ARE A CONTRACTOR, YOU AGREE TO HOLD THIS INFORMATION IN STRICT CONFIDENCE. TYCO ELECTRONICS CORPORATION, HARRISBURG, PENNSYLVANIA, USA.

LOC	A1
DIST	-

AMP 3307-1 REV 31MAR2000

P	LTR	REVISION RECORD	DATE	DNW	APVD	R.K.	N.T.
	A1	NEW APPLICATION SPECIFICATION	17NOV2008				

DIMENSIONS:	mm
TOLERANCES UNLESS OTHERWISE SPECIFIED:	
0 PLC	±0.1
1 PLC	±0.1
2 PLC	±0.1
3 PLC	±0.1
4 PLC	±0.1

DNW	17NOV2007	N. THIRUNAVUKKARASU	MATERIAL	-	HEAT TREAT	-
CHK	17NOV2007	W. BOECK		-		-
APVD	17NOV2007	R. KRAEMER	Tyco Electronics Tyco Electronics AMP GmbH 24625 Bensheim (Germany)			
NAME APPLICATION SPECIFICATION FOR INDUSTRIAL ETHERNET 1P 20 FRAME						
SCALE	2:1	SIZE	A2	DRAWING NO	114-18961	SHEET 1 OF 1
REV	A1					