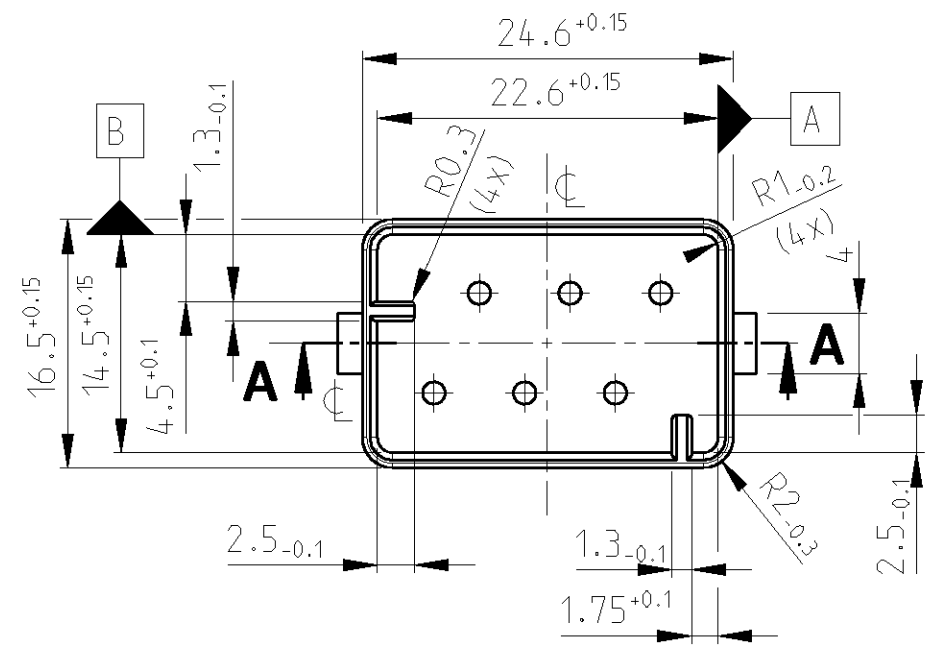
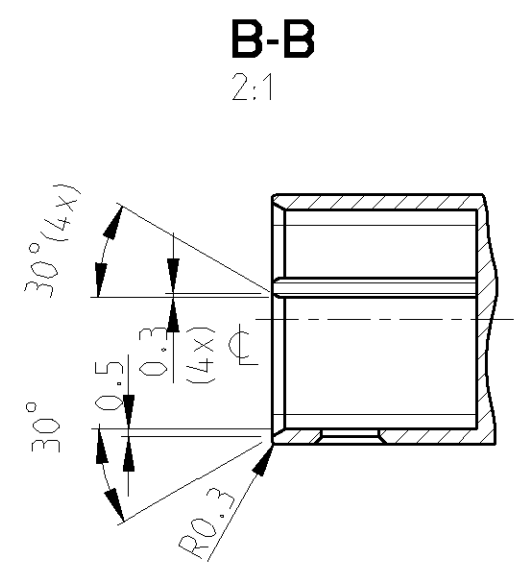
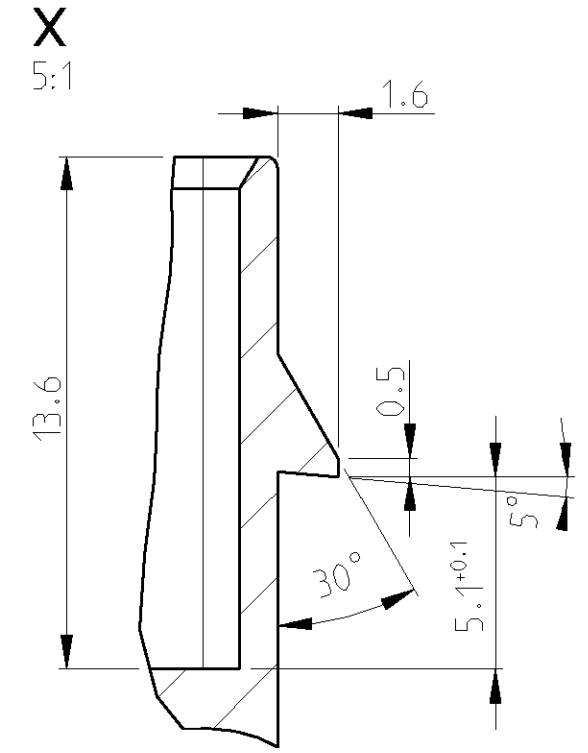
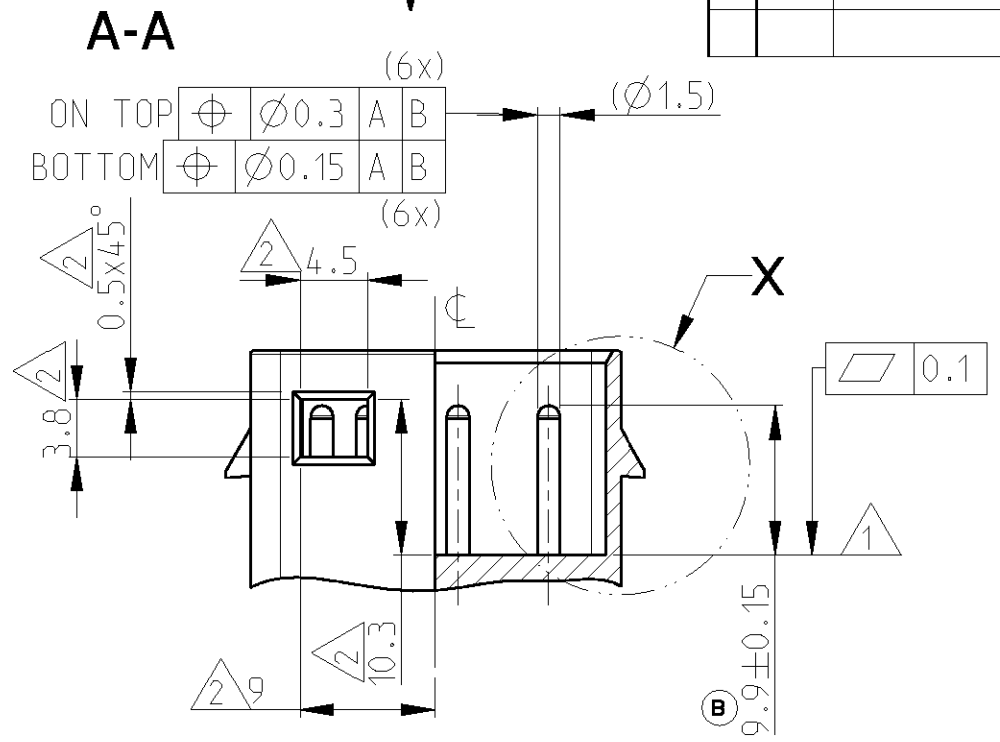
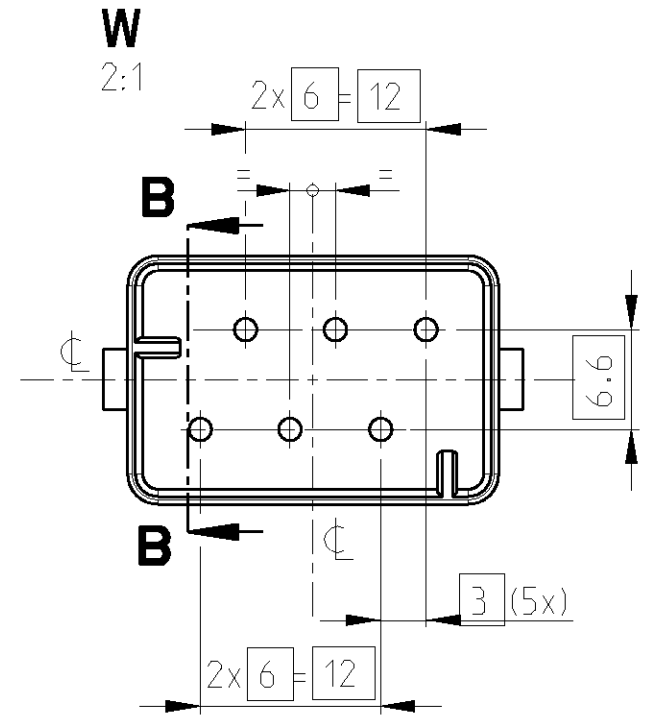


THIS DRAWING IS UNPUBLISHED. RELEASED FOR PUBLICATION 2001
 © COPYRIGHT 2001 BY TYCO ELECTRONICS CORPORATION. ALL RIGHTS RESERVED.

LOC	DIST	REVISIONS					
		P	LTR	DESCRIPTION	DATE	DWN	APVD
A1	-		A	SEE PCN EG00-3056-00-4	09JAN01	Panitz	-
			B	SEE PCN EG00-0224-02-2	25JAN2002	Panitz	



- NOTES
Bemerkungen
- 1 BOTTOM REFERENCE PLANE FOR FEMALE CONNECTOR
Kragenboden, Auflagefläche des Steckers
 - 2 PROPOSAL FOR CONTROL WINDOW
Unverbindlicher Vorschlag für ein Kontrollfenster.
 - 3 FITS TO 1394778-1 AND 1394779-1
passend zu 1394778-1 und 1394779-1

THIS DRAWING IS A CONTROLLED DOCUMENT FOR TYCO ELECTRONICS CORPORATION IT IS SUBJECT TO CHANGE AND THE CONTROLLING ENGINEERING ORGANIZATION SHOULD BE CONTACTED FOR THE LATEST REVISION.		DWN G.Panitz 20OCT2000		tyco Electronics AMP GmbH D - 64625 Bensheim	
DIMENSIONS: mm		CHK H.Schmidt 25NOV2000		NAME INTERFACE SPECIFICATION FOR 2+4 POS. HOUSING FOR DIA 1.5 RECEPTACLE	
TOLERANCES UNLESS OTHERWISE SPECIFIED: DIN16905-120		APVD -	SIZE A3		
0 PLC ±		PRODUCT SPEC -	CAGE CODE 00779		RESTRICTED TO DELP
1 PLC ±		APPLICATION SPEC -	DRAWING NO C=114-18418		
2 PLC ±		WEIGHT -	SCALE 2:1		SHEET 1 OF 1 REV B
3 PLC ±		RESTRICTED CUSTOMER	SCALE 2:1		
4 PLC ±					
ANGLES ±1°					
FINISH -					