

APPLICATION SPECIFICATION FOR 55 POS. Junior-Power-Timer CONNECTOR

1 GENERAL

1.1 PURPOSE

THIS SPECIFICATION DESCRIBES THE LOADING OF THE CONTACT INTO THE Junior-Power-Timer HOUSING. FURTHER IS SHOWN THE ASSEMBLY OF THE CONNECTOR PARTS TO EACHOTHER AND THE MOUNTING WITH THE TAB HOUSING.

1.2 CUSTOMER DRAWING

THIS SPECIFICATION IS BASED ON THE LATEST VALID CUSTOMER DRAWING (963684).

1.3 SPECIFICATION/DESIGN OBJECTIVES

- PRODUCT SPECIFICATION / DESIGN OBJECTIVES FOR Junior-Power-Timer CONTACTS: 108-18013
- APPLICATION SPECIFICATION FOR Junior-Power-Timer CONTACT: 114-18050

1.4 DELIVERY CONDITION

1.4.1 THE CONNECTOR CONSIST OF FOLLOWING PARTS

- COVER X-963685-1
 - REC.-HOUSING 0-963532-X
 - SEALING 0-963535-1
 - SCREW 0-967101-1
 - SEALING DISC 0-826778-1
 - CLIP 0-965208-1
 - SCREW 0-826780-1
- (RELEVANT DASH-NO. FOR DIFFERENT CODINGS GETS OBVIOUS FROM RESPECTIVE CUSTOMER-DRAWING.)

THIS INFORMATION IS CONFIDENTIAL AND IS DISCLOSED TO ANY CONDITION THAT NO FURTHER DISCLOSURE IS MADE BY TO OTHER THAN AMP PERSONNEL WITHOUT WRITTEN AUTHORISATION FROM AMP INCORPORATED, HARRISBURG, PA.

* Trademark of AMP Incorporated

Product Code : ----

-				DR	13.03.98	AMP AMP Deutschland GmbH D-63225 Langen		
-				K. Mattern	<i>K. Mattern</i>			
-				CHK	23.07.98			
-				G. Steinbach	<i>G. Steinbach</i>			
-				APP	30.04.98	NO	REV	LOC
-				H. Bouda	<i>H. Bouda</i>	114-18267	A	AI
-				PAGE	TITLE			
A	EG00 0272 98	Mattern	16.03.98	1 OF 14	APPLICATION-SPECIFICATION 55 POS. JPT-CONNECTOR			
LTR	REVISION RECORD	APP	DATE					

1.4.2 Junior-Power-Timer HOUSING

THE Junior-Power-Timer HOUSINGS ARE DELIVERED IN PRE-LOCK-POSITION (FIGURE 1).

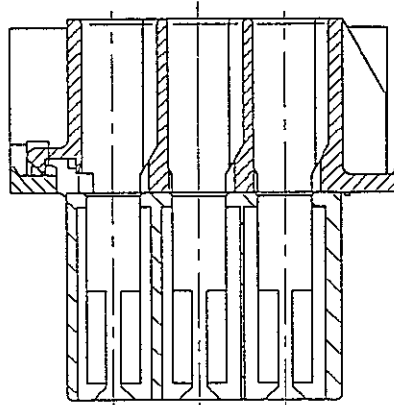
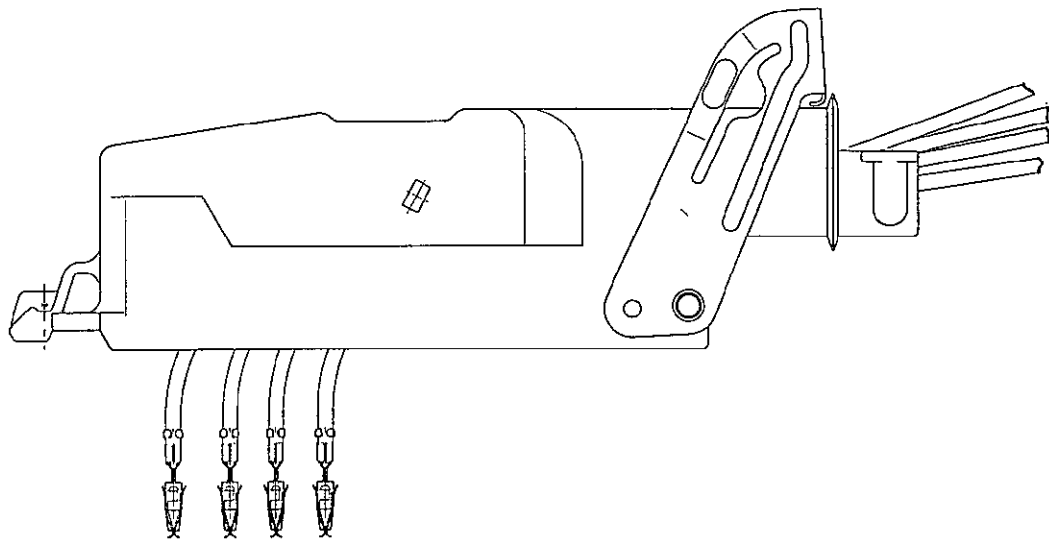


FIGURE 1

2 CONTACTS THROUGH THE COVER

PUT IN THE TERMINATED CONTACTS THROUGH THE COVER.



AMP

AMP Deutschland GmbH
D-63225 Langen

PAGE

2

NO

114-18267

REV

A

LOC

AI

3

REC.-HOUSING LOADING WITH CONTACTS

THE REC.-HOUSING MUST BE LOADED WITH Junior-Power-Timer CONTACTS (FIGURE 2).

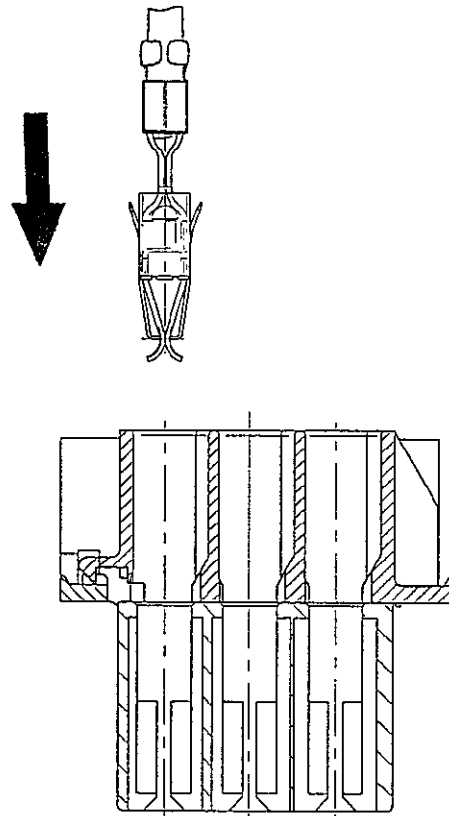
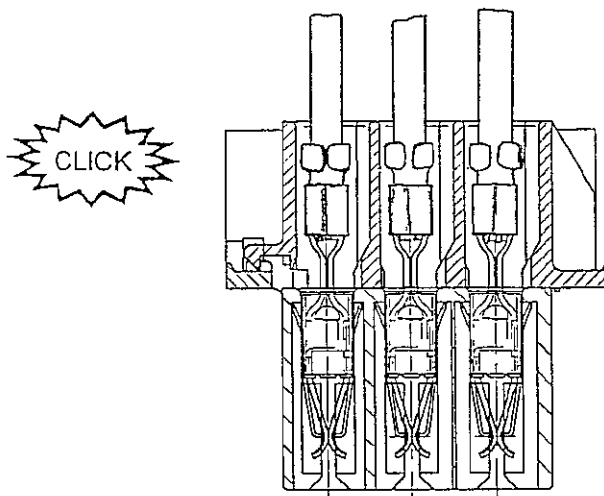


FIGURE 2

Junior-Power-Timer CONTACTS MUST BE CLIPPED INTO THE REC.-HOUSING WITH AN AUDIBLE "CLICK"-SOUND.



AMP

AMP Deutschland GmbH
D-63225 Langen

PAGE NO

3

114-18267

REV

A

LOC

AI

3.1 ADJUSTMENT FOR SECONDARY LOCK

on all 3 locking features

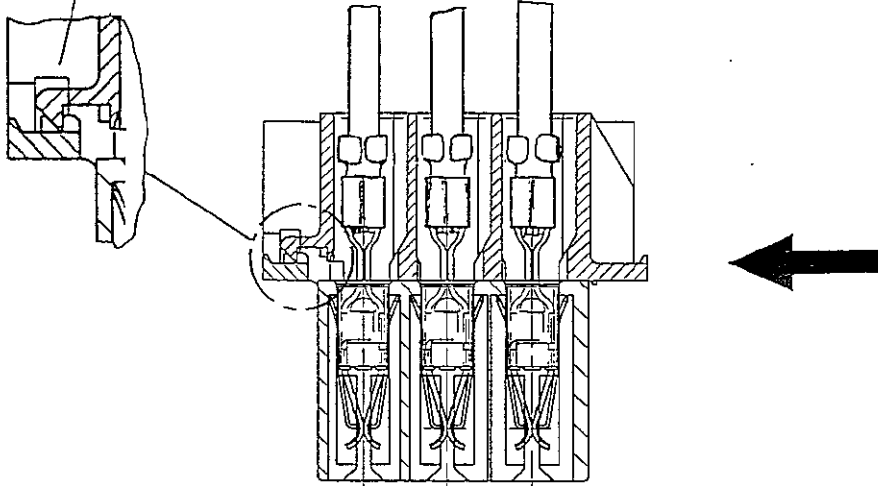


FIGURE 3

UPPER PART OF THE REC.-HOUSING MUST BE MOVED FROM PRE-LOCKING-POSITION (FIGURE 3) TO END-LOCKING-POSITION (FIGURE 4).

on all 3 locking features

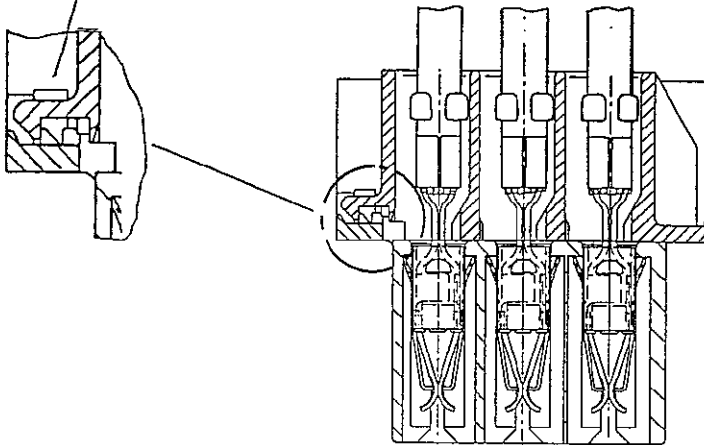


FIGURE 4

4

MOUNTING OF REC.-HOUSING INTO COVER (SHOWN WITHOUT CABLE)

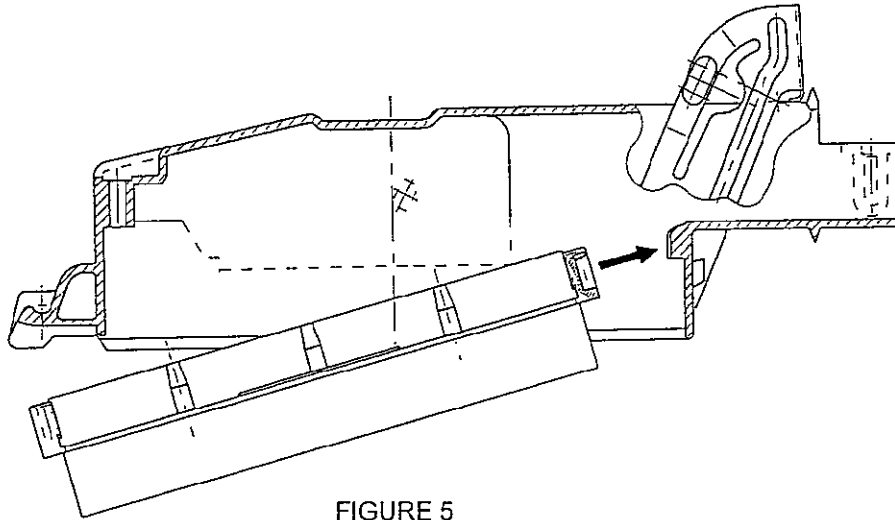


FIGURE 5

REC.-HOUSING MUST BE MOUNTED INTO LOCKING KEY OF COVER (FIGURE 5).

AMP

AMP Deutschland GmbH
D-63225 Langen

PAGE

5

NO

114-18267

REV

A

LOC

AI

REC.-HOUSING HAS TO BE FIT INTO LOCKING KEY OF COVER.

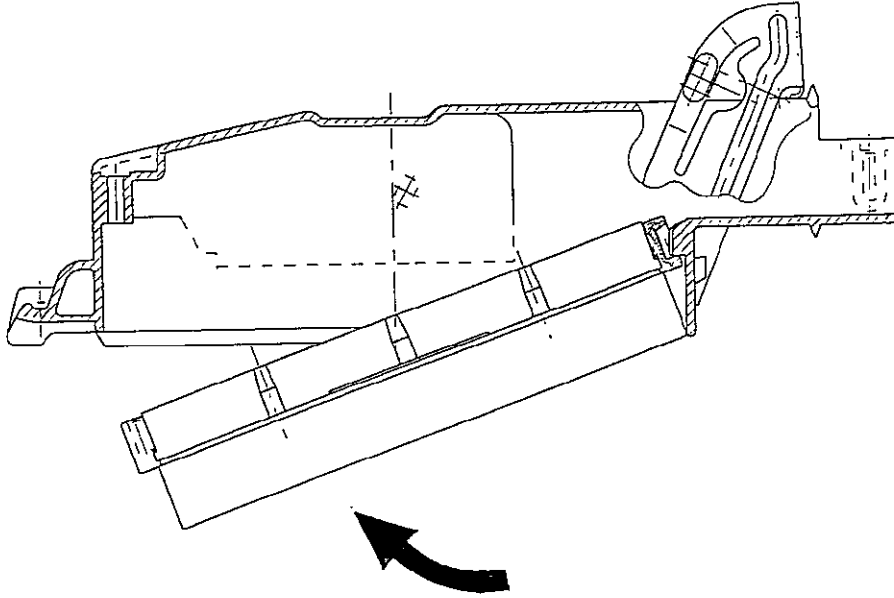


FIGURE 6

REC.-HOUSING MUST BE MOVED INTO COVER (FIGURE 6).

AMP

AMP Deutschland GmbH
D-63225 Langen

PAGE

6

NO

114-18267

REV

A

LOC

AI

FIX REC.-HOUSING AND COVER

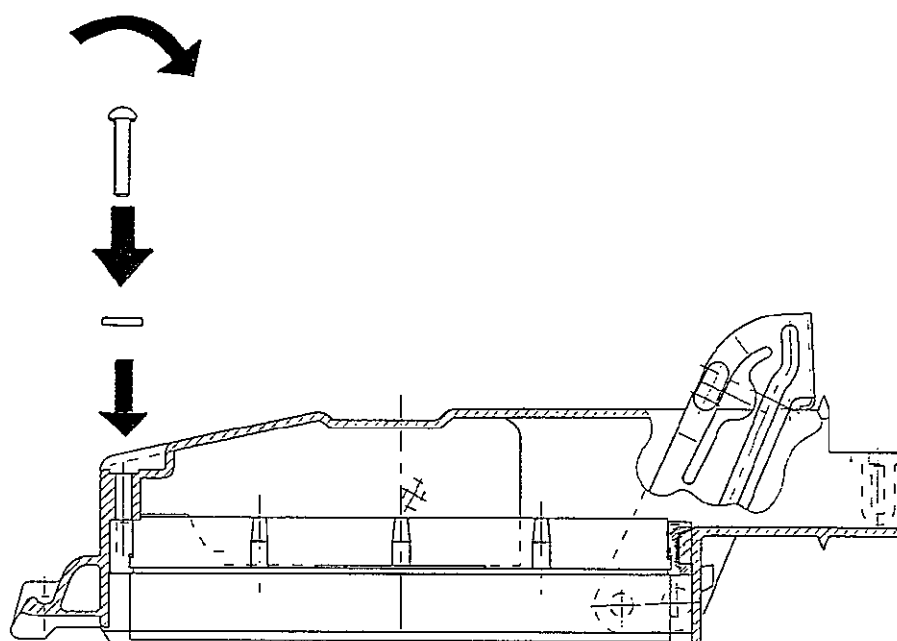


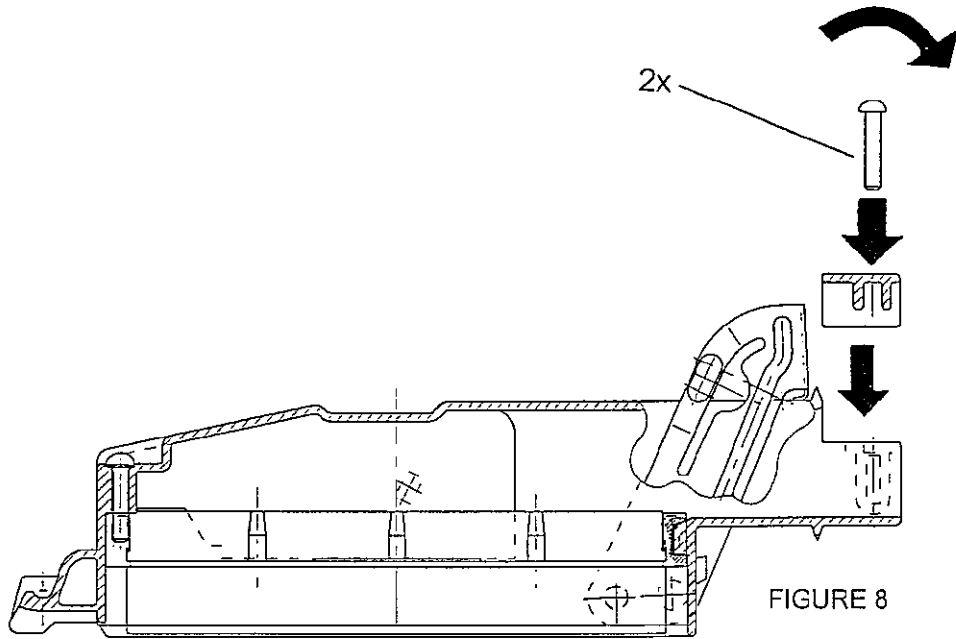
FIGURE 7

COVER AND HOUSING MUST BE FIXED WITH A SEALING DISC AND A SCREW (FIGURE 7).

5

MOUNTING OF LOCKING CLIP ON COVER (SHOWN WITHOUT CABLE)

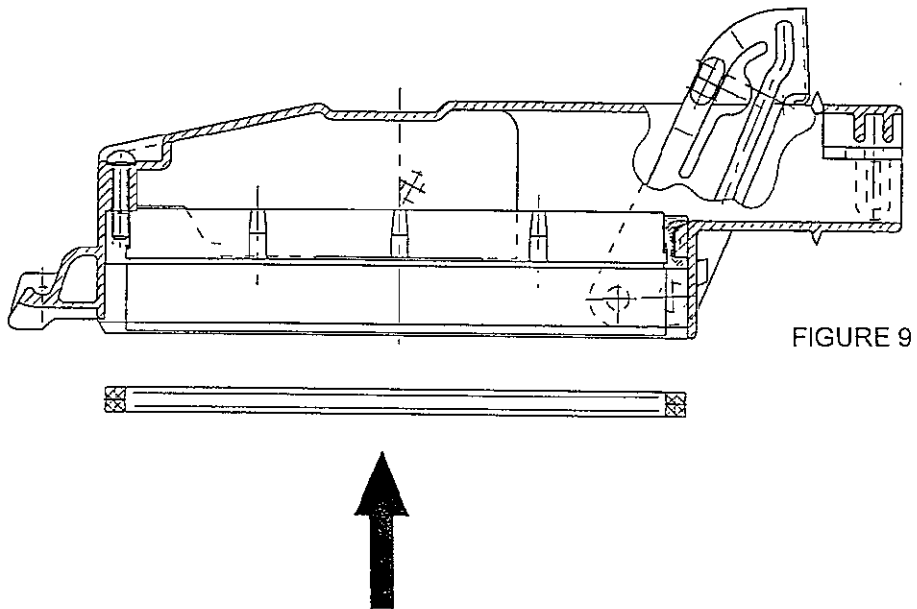
MOUNTING LOCKING CLIP ON COVER WITH 2 SCREWS.



6

MOUNTING OF SEALING INTO COVER (SHOWN WITHOUT CABLE)

SEALING HAVE TO BE MOUNTED INTO REC.-HOUSING/COVER.



AMP

AMP Deutschland GmbH
D-63225 Langen

PAGE

8

NO

114-18267

REV

A

LOC

AI

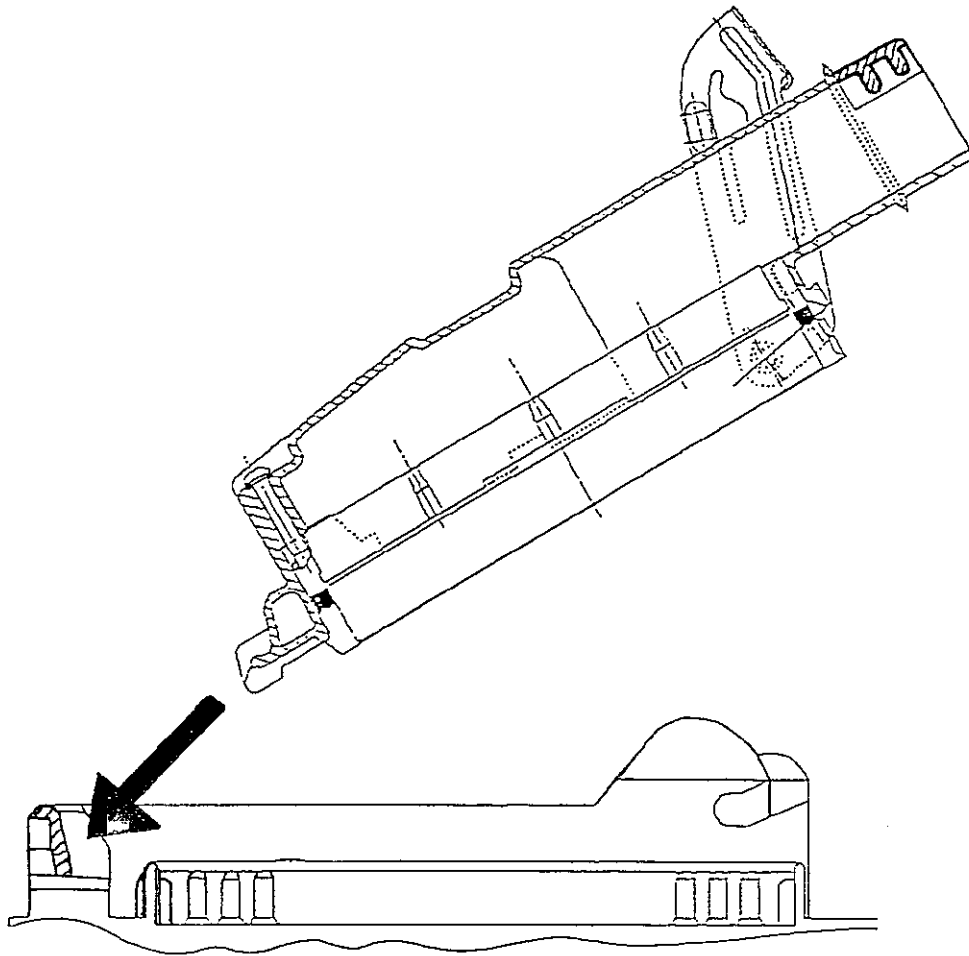


FIGURE 10

LEVER OF REC.-HOUSING MUST BE IN PRE-LOCKING-POSITION.
BY PUTTING THE REC.-HOUSING ONTO THE TAB-HOUSING THE
CODING KEY FEATURE MUST BE SLIDING INTO THE KEY SLOTS
OF TAB-HOUSING.

BY MOVING THE COVER KEY FEATURE IN TAB KEY FEATURE
(FIGURE 11) IT IS IMPORTANT TO HAVE NO CLEARANCE BETWEEN
F1 AND F2 (FIGURE 12)!

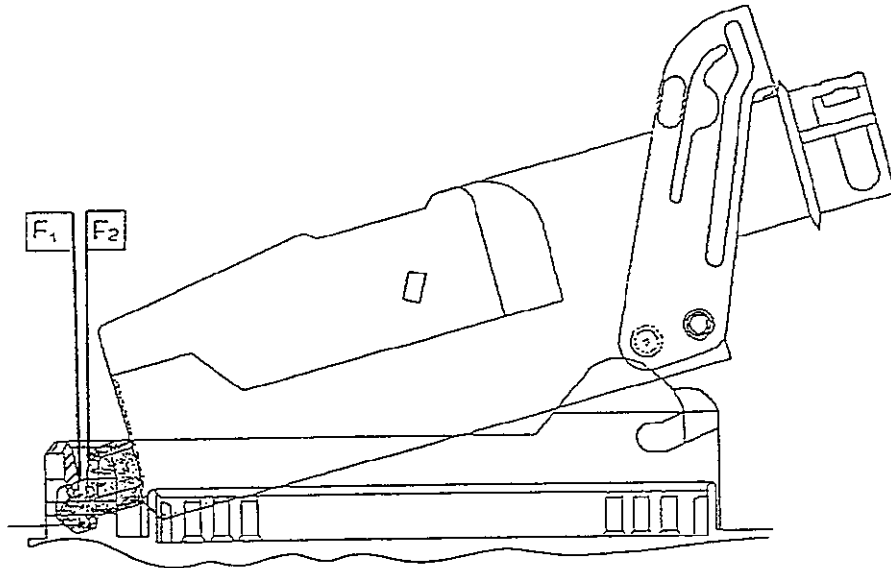


FIGURE 11

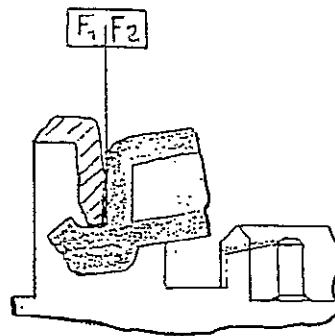


FIGURE 12

BY PUTTING THE Junior-Power-Timer HOUSING ONTO THE TAB-HOUSING, THE CLEARANCE BETWEEN F1 AND F2 HAS TO BE ALSO ZERO!

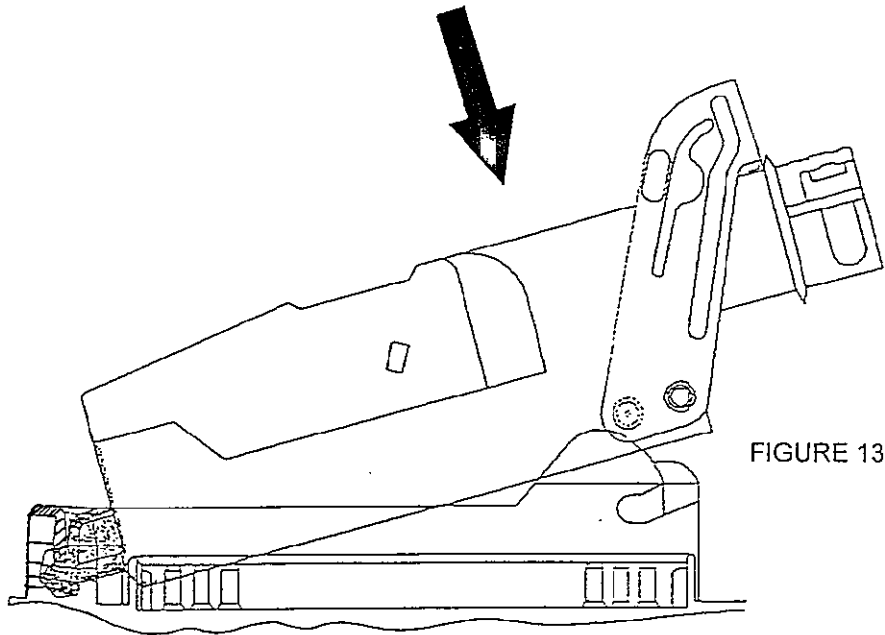


FIGURE 13

THE LEVER LOCKING ROD HAS TO BE LEAVING INTO SLOTS OF TAB-HOUSING (FIGURE 14).

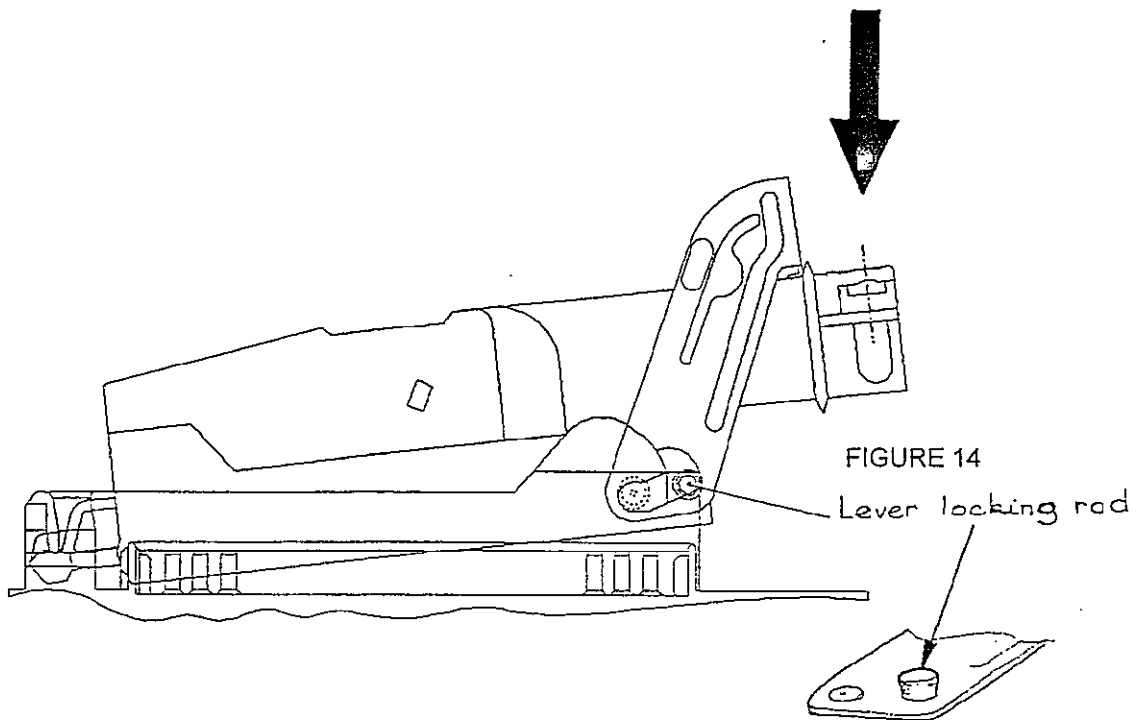


FIGURE 14

Lever locking rod

BY MOVING THE LEVER FROM PRE-LOCKING TO END-LOCKING POSITION THE REC.-HOUSING IS PULLING ITSELF ON THE TAB HOUSING.

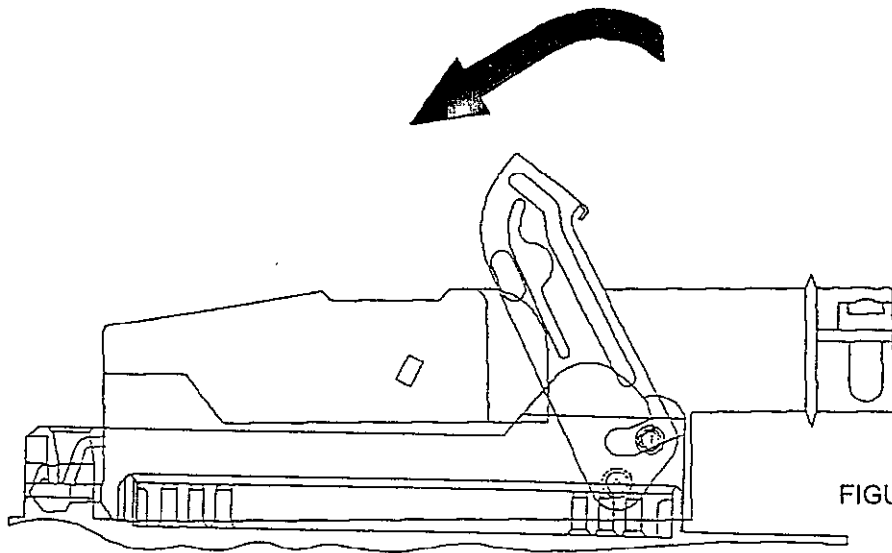


FIGURE 15

THE MATING PROCEDURE IS FINISHED, IF THE LOCKING DEVICE OF THE LEVER SNAPS IN AUDIBLE (FIGURE 16).

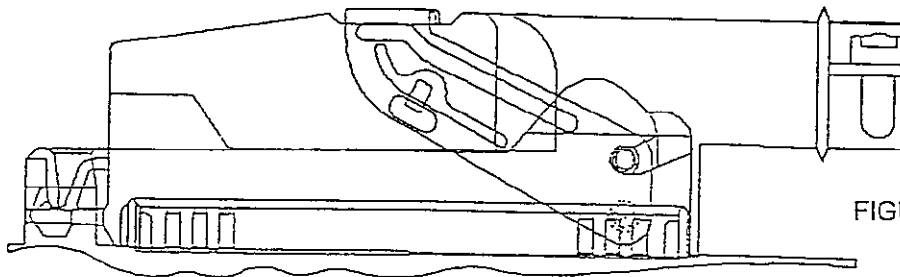


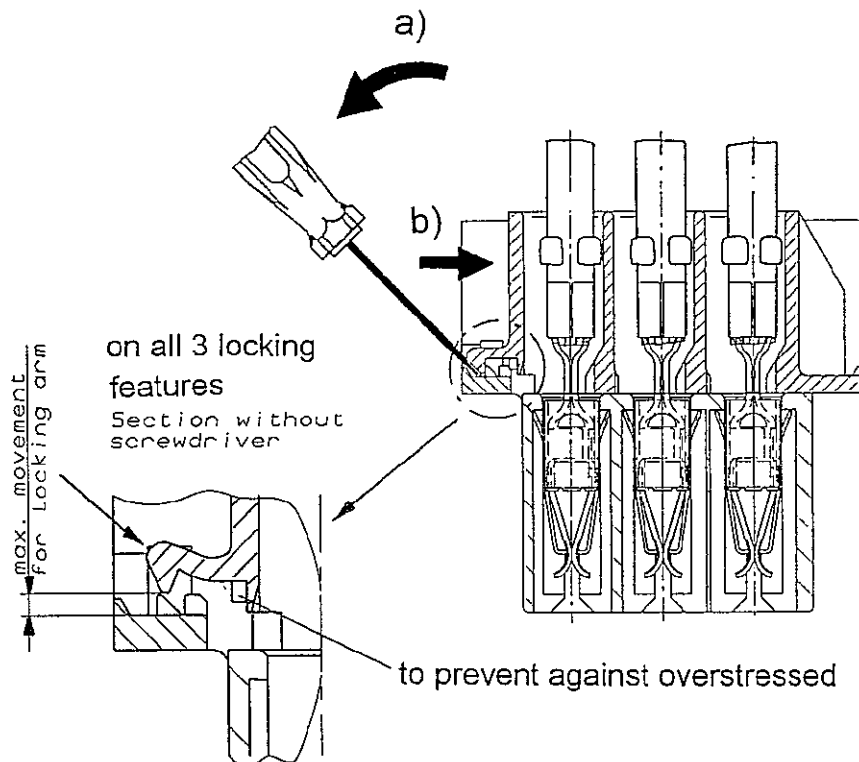
FIGURE 16

8 UNMATING OF THE COUPLING

BY MOVING THE LEVER OF REC.-HOUSING FROM ENDLOCKING TO PRELOCKING POSITION THE REC.-HOUSING IS REMOVING ITSELF FROM THE TAB-HOUSING.

9 REMOVING OF CONTACTS

REC.-HOUSING MUST BE MOVED FROM ENDLOCKING TO PRE-LOCKING POSITION.



- a) THE LOCKING ARM OF REC.-HOUSING MUST BE SPREAD UPWARDS BY USING A SCREWDRIVER
- b) TILL UPPER PART OF REC.-HOUSING CAN BE MOVED IN PRE-LOCK-POSITION.

AMP

AMP Deutschland GmbH
D-63225 Langen

PAGE NO

13

114-18267

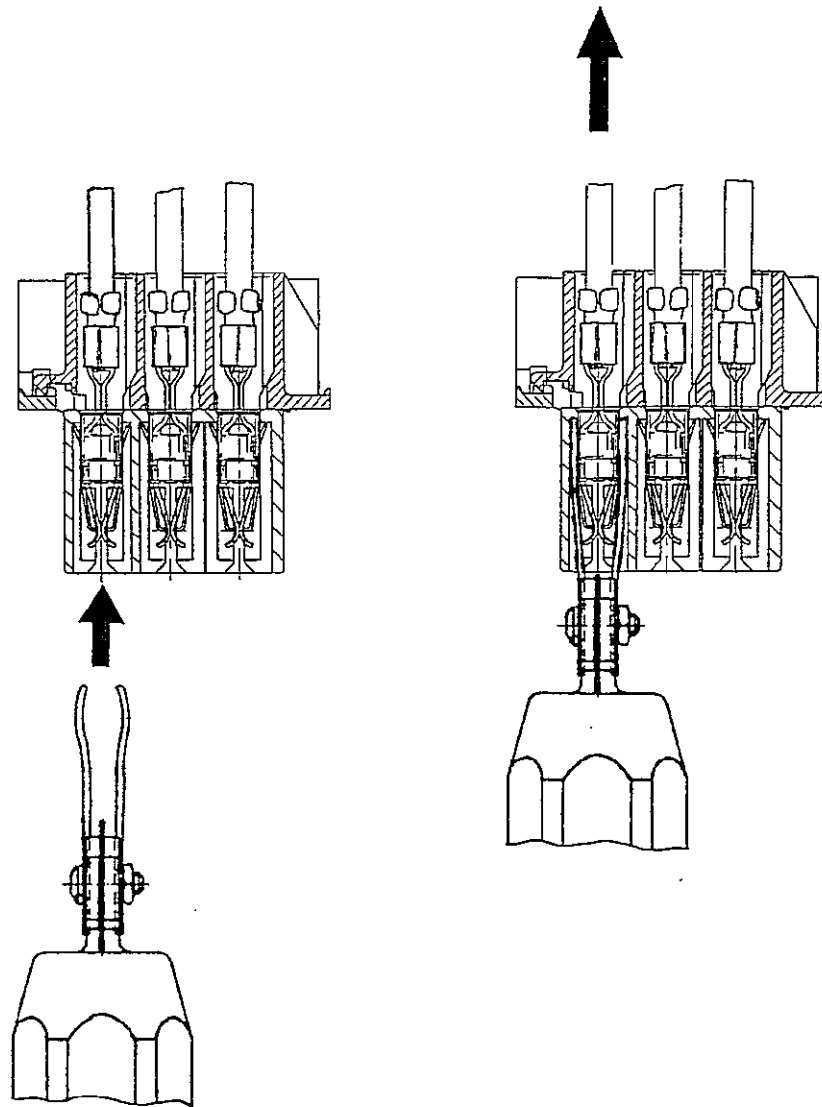
REV

A

LOC

AI

THE LOCKING LATCHES OF THE CONTACTS MUST BE BENDED
BY USING THE CONCERNING EXTRACTION TOOL.
NOW THE CONTACTS CAN BE REMOVED BY SIMULTANEOUSLY
PULLING AT THE CABLE.



SUITABLE EXTRACTION TOOLS ARE LISTED AS FOLLOWS:

Junior-Power-Timer CONTACT: 726503 OR 726519

AMP

AMP Deutschland GmbH
D-63225 Langen

PAGE

NO

14

114-18267

REV

A

LOC

AI