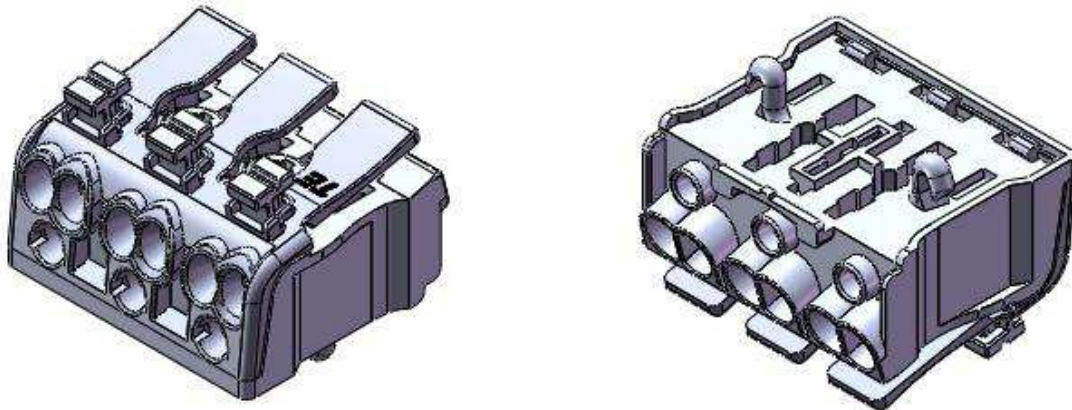


1. INTRODUCTION

This specification covers the requirements for application of push wire connector for use on lighting field.

When corresponding with TE Connectivity Personnel, use the terminology provided in this specification to facilitate your inquiries for information. Basic terms and features of this product are provided in Figure 1.



Push Wire Connector

Figure 1

2. REFERENCE MATERIAL

2.1. Revision Summary

Revision A – Initial release.

2.2. Customer Assistance

Reference Product Base Part Numbers 2834242 are representative of the push wire connector. Use of these numbers will identify the product line and expedite your inquiries through a service network established to help you obtain product information. Such information can be obtained through a local TE Connectivity Representative.

2.3. Drawings

Customer Drawings for specific products are available from the responsible TE Connectivity Engineering department via the service network. The information contained in the Customer Drawings takes priority if there is a conflict with this specification or with any other technical documentation supplied by TE Connectivity.

3. REQUIREMENTS

3.1. Safety:

DO NOT stack product shipping containers so high that the containers buckle or deform.

3.2. Limitations:

The connectors are designed to operate under a maximum temperature of 110°C.

3.3. Material

Contact is made of brass and stainless steel spring; Housing is made from thermal plastic.

3.4. Storage

A. Ultraviolet Light

Prolonged exposure to ultraviolet light may deteriorate the chemical composition used in the connector material.

A. Shelf Life

The contacts and connectors should remain in the shipping containers until ready for use to prevent deformation to components. The components should be used on a first in, first out basis to avoid storage contamination that could adversely affect performance.

B. Chemical Exposure



DO NOT store the contacts or connectors near any chemical listed below as they may cause stress corrosion cracking in the components.

Alkalies	Ammonia	Citrates	Phosphates	Citrates	Sulfur Compounds
Amines	Carbonates	Nitrites	Sulfur	Nitrites	Tartrates

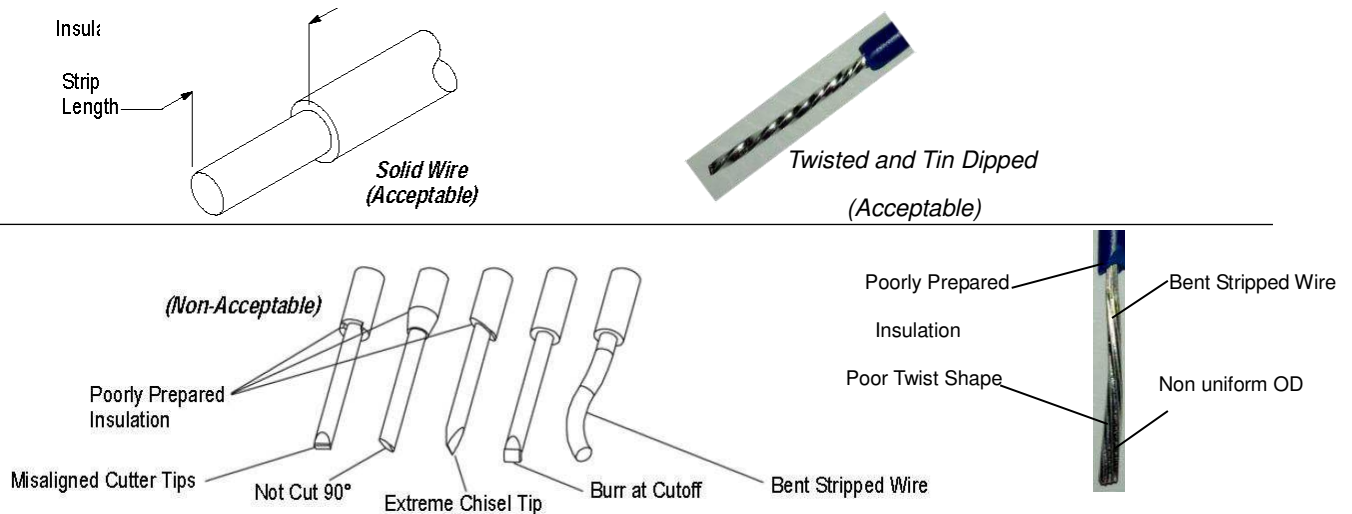
3.5. Wire Selection and Preparation

These connectors are designed for copper to copper connection only, **DO NOT** use on Aluminum. The applicable wire size and type are list in table 1.

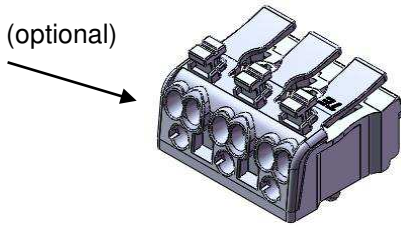
Table 1 Applicable Wire Size and Type

Wire Type	Wire Size
Solid & Strand wire	0.5-2.5 mm ² ; 20-14 AWG
Tin-dipped stranded (optional)	0.5-2.5 mm ² , 20-14 AWG

When preparing stranded or tin-dipped stranded wire, it is recommended to twist strands after stripping the insulation. The strands need to be well organized and in a uniform straight style. The stranded wire need to be coated with Tin. Too much Tin coated is not allowed. Tin dipping depth is same as wire strip length. The wire strip length is 8.0-10.0mm and the typical unacceptable wire preparation example is shown on Figure 2.



Factory side: insert solid wire or tin-dipped stranded wire (optional)



Installation side: insert solid, stranded wire or tin-dipped stranded wire (optional)

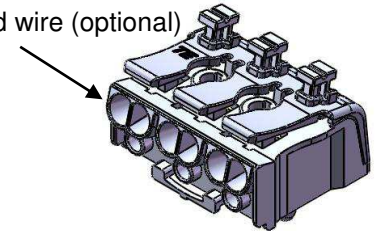


Figure 2

3.6 Assembly Procedure

In the field, these kits must be assembled by a qualified electrician in accordance with national and local electrical codes and the following instructions.

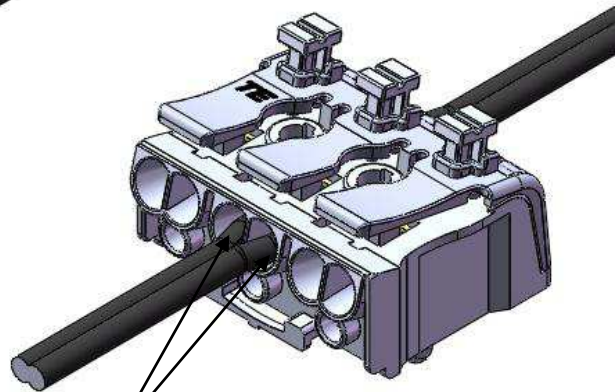
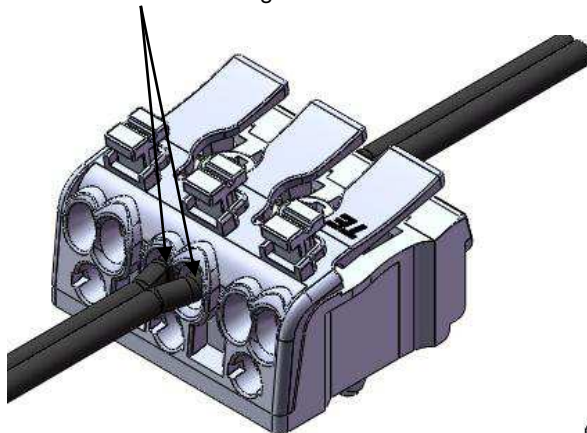


Turn off power before removing or installing connector.

1. Select the proper assembly for your production requirements.
2. If using customer-assembled connectors, strip wires with applicable copper conductors provided in Figure 2.
3. Insert wires of same electrode into same cavity until bottomed.

Pull back gently on the wires to ensure they have latched fully in the housings.

Insulation inside housing



Insulation inside housing

Figure 3

4. Apply optional approved flammability rated tape or clamp to organize the wire. See Figure 4.

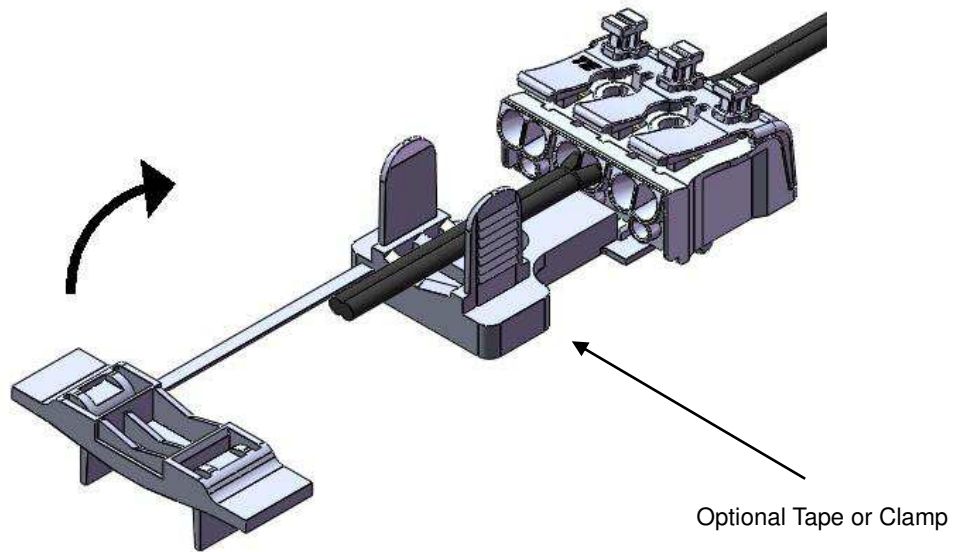


Figure 4

5. Installation of earth tag. Insert earth tag into round hole of desired pole at lower part of the connector. If button of the connector is printed with earth marking \oplus , insert earth tag into round hole of corresponding pole. See figure 5.

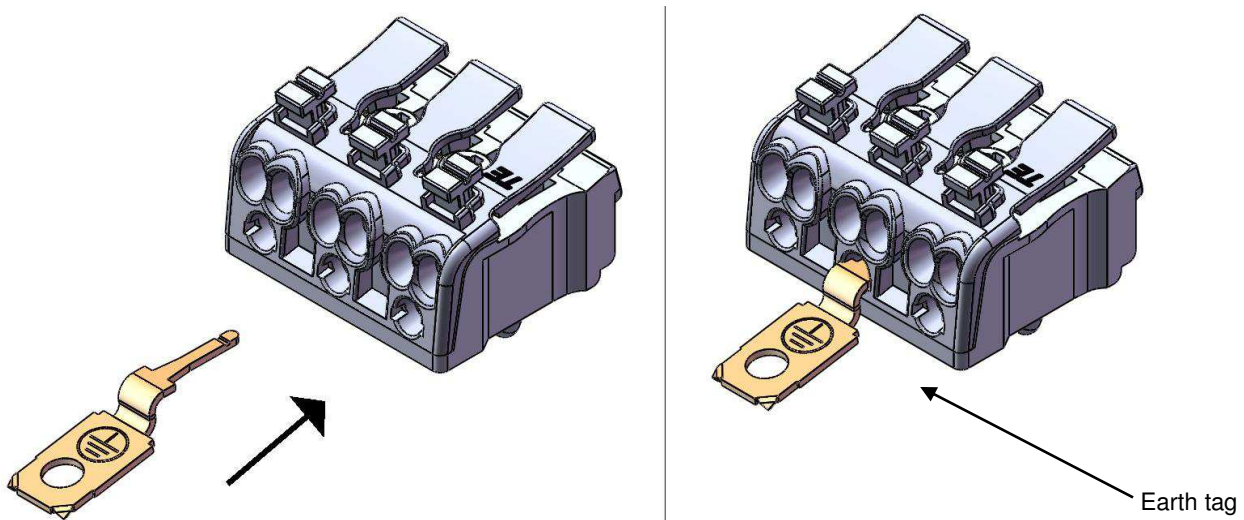


Figure 5

3.7. Wire Insertion

Insert wires horizontally into wiring holes until bottomed. For strand or flexible wires, press release button then insert wires. See Figure 5.

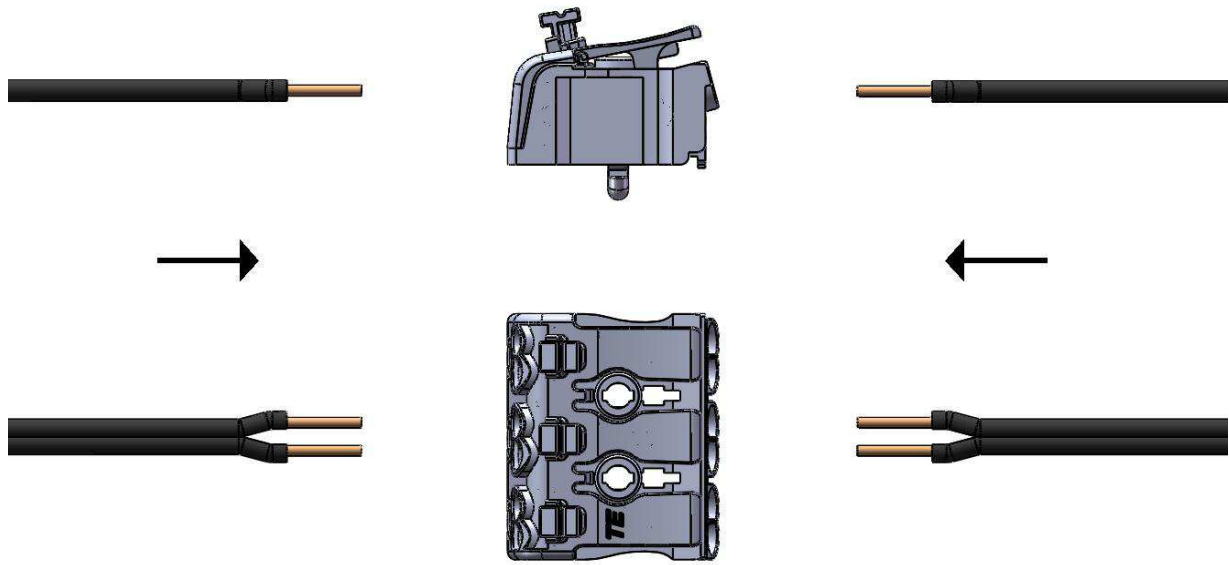


Figure5

3.8. Wire Release

To reduce risk of electrical shock, **DISCONNECT** the electrical supply before unmating the connectors.

To release wires, press the release button and pull out wires. See Figure 6.

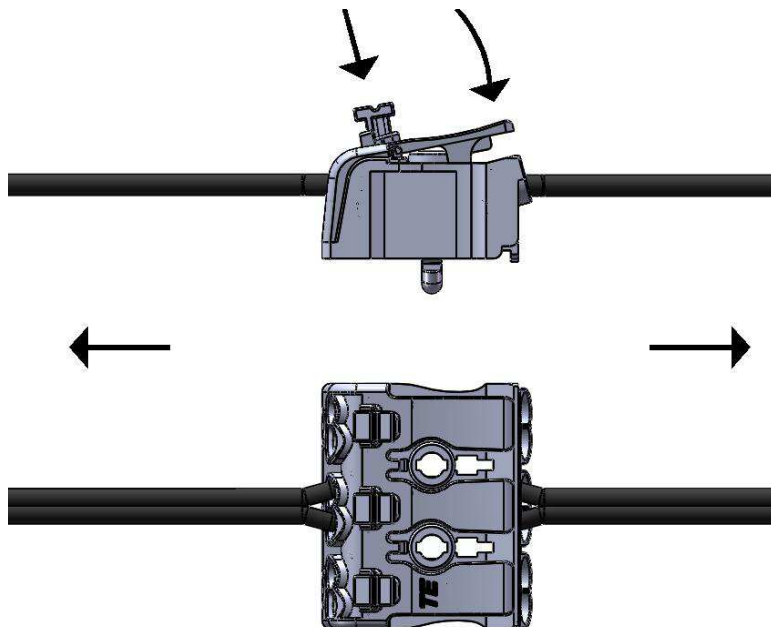


Figure6

3.9. Replacement/Repair

The contacts and housings are not repairable. **DO NOT** use damaged or defective contacts or housings. **DO NOT** remove the wire and re-terminate contacts without pressing release button.

4. QUALIFICATION

Connectors are Component Recognized by:

- Underwriters Laboratories, Inc.
UL1059 Approval: E60677.

5. TOOLING

Only a wire stripper is needed for the installation of the connectors if using customer-assembled connectors. No special tooling is required.

6. VISUAL AID

The illustration below (Figure 7) shows a typical application of 3 pole push wire connector. This illustration should be used by production personnel to ensure a correctly applied product. Applications, which **DO NOT** appear correct, should be inspected using the information in the preceding pages of this specification and in the instructional material shipped with the product.

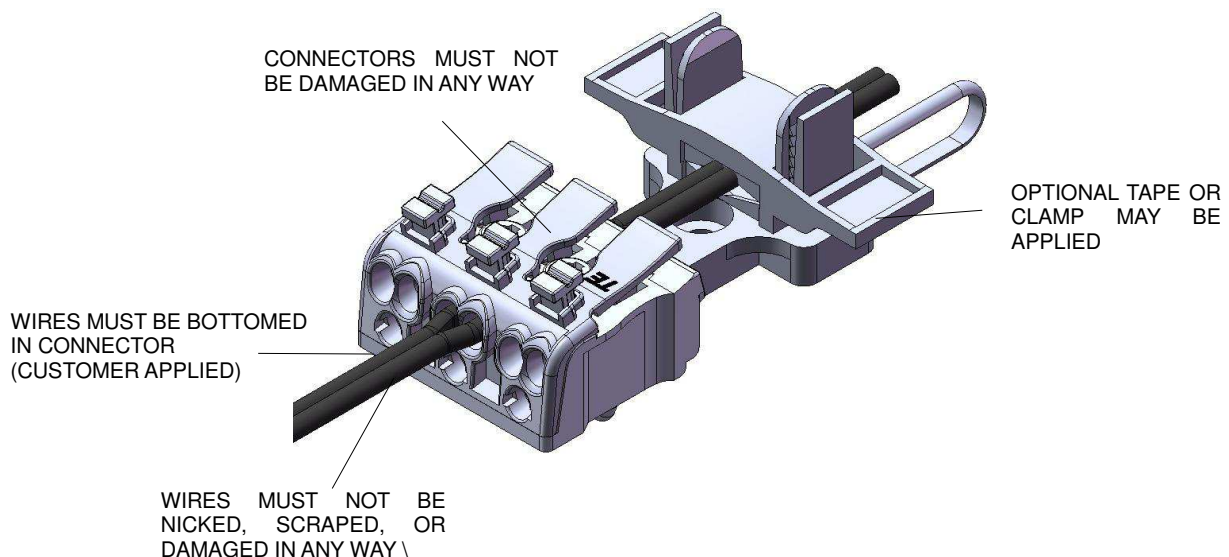


Figure 7. VISUAL AID