

HA IP65 Hood and Housing Series

Table of contents

1. INTRODUCTION	2
2. SUPPORTING DOCUMENTS	2
2.1. Customer drawings.....	2
2.2. Product specification	2
2.3. Application Specification.....	2
2.4. Standards	2
3. DESCRIPTION	3
3.1. Assembly product.....	3
3.2. Hood and housing types.....	4
3.2.1. Hood type	4
3.2.1.1. Hood with 2 bolt	4
3.2.1.2. Hood with 4 bolt	4
3.2.1.3. Hood with 2 Level locking	5
3.2.2. Housing type	5
3.2.2.1. Bulkhead mounted housing	5
3.2.2.2. Surface mounted housing	6
3.2.2.3. Cable-to-Cable Housing	6
4. REQUIREMENTS.....	7
4.1. Panel cut-out	7
5. ASSEMBLY.....	7
5.1. Assembly housing on panel.....	7
5.2. Assembly male/female insert into hood/housing.....	8
5.3. Assembly cable gland with hood/housing.....	8
5.4. Assembly hood with housing.....	9
6. STORAGE	9

1. INTRODUCTION

This specification contains the regulations for assembly of various HA IP65 plastic Hood and Housing.

The following components are available in this system:

Hood and housing: H10A/H16A/H32A.

2. SUPPORTING DOCUMENTS

2.1. Customer drawings

For dimensions and materials of the individual parts, please refer to the relative customer drawings of H10A/H16A/H32A.

2.2. Product specification

The product specifications of the used articles are to be taken into account. The product specification describes the technical data as regulations, temperature range and degree of protection. For further reference, please refer to product spec. 108-137010.

2.3. Application Specification

Connectors shall be assembled as below mentioned application specifications to ensure correct connector assembly.

2.4. Standards

- EN 61984: Connectors - Safety requirements and tests
- IEC 60664-1: Insulation coordination for equipment within low-voltage systems (Part 1)
- EN 60529: Degrees of Protection Provided by Enclosures (IP Code)
- EN 60068: Environmental testing

3. DESCRIPTION

3.1. Assembly product

The following picture (Figure 1) shows an example of complete assembly product.

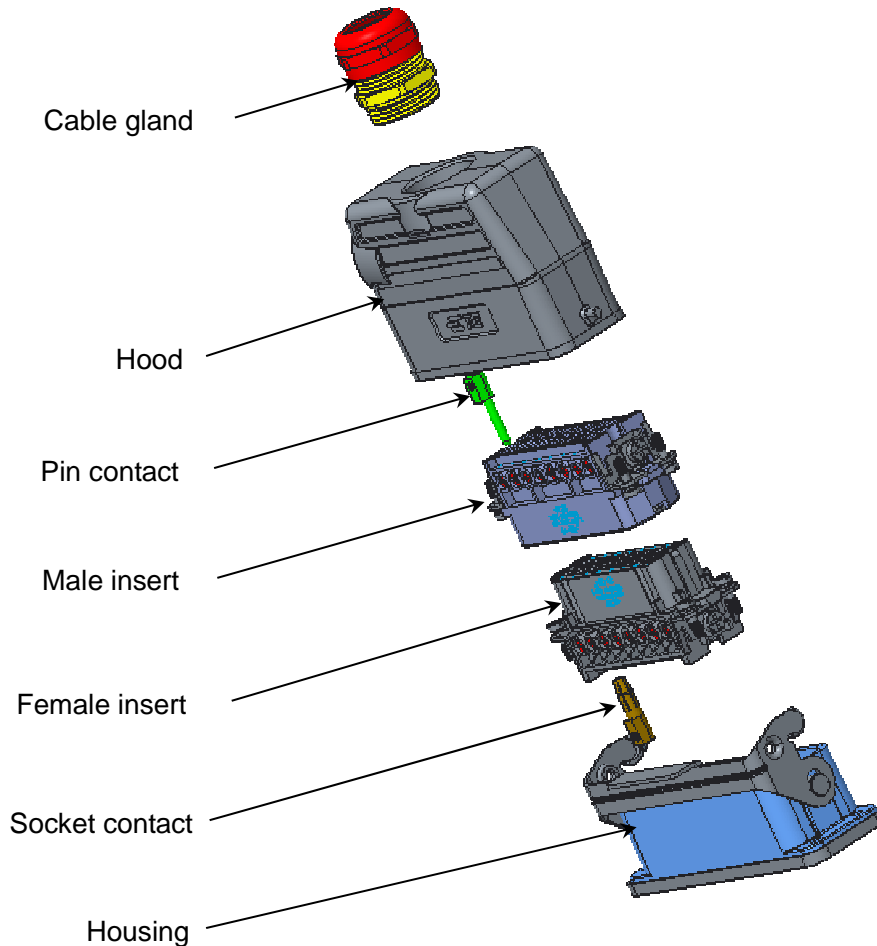


Figure: 1

The complete product consists of the following components (see figure 1):

- Cable gland
- Hood
- Pin contact
- Male insert
- Female insert
- Socket contact
- Housing

3.2. Hood and housing types

3.2.1. Hood type

3.2.1.1. Hood with 2 bolt

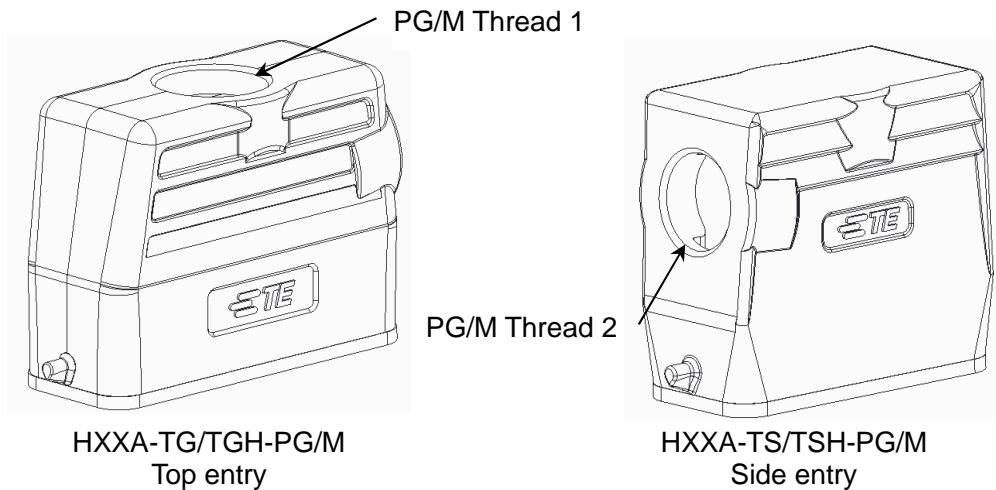


Figure: 2

- Hood & housing available for size: H10A,H16A
- H—High construction
- PG/M Thread-1 optional: Blank, PG11,PG16,PG21,M16,M20,M25
- PG/M Thread-2 optional: Blank, PG11,PG16,PG21,M16,M20,M25

Note: Different hood& housing size has different optional PG/M Thread-X. Refer to drawings for detailed information.

3.2.1.2. Hood with 4 bolt

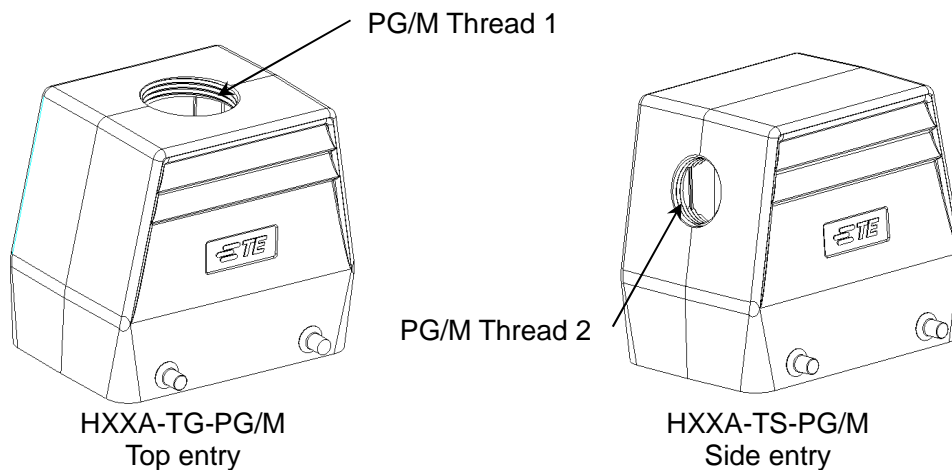


Figure: 3

- Hood & housing available for size: H32A
- PG/M Thread-1 optional: Blank, PG16, PG21, PG29, M20, M25, M32, M40, M50
- PG/M Thread-2 optional: Blank, PG16, PG21, PG29, M20, M25, M32, M40

Note: Different hood & housing size has different optional PG/M Thread-X. Refer to drawings for detailed information.

3.2.1.3. Hood with 2 Level locking

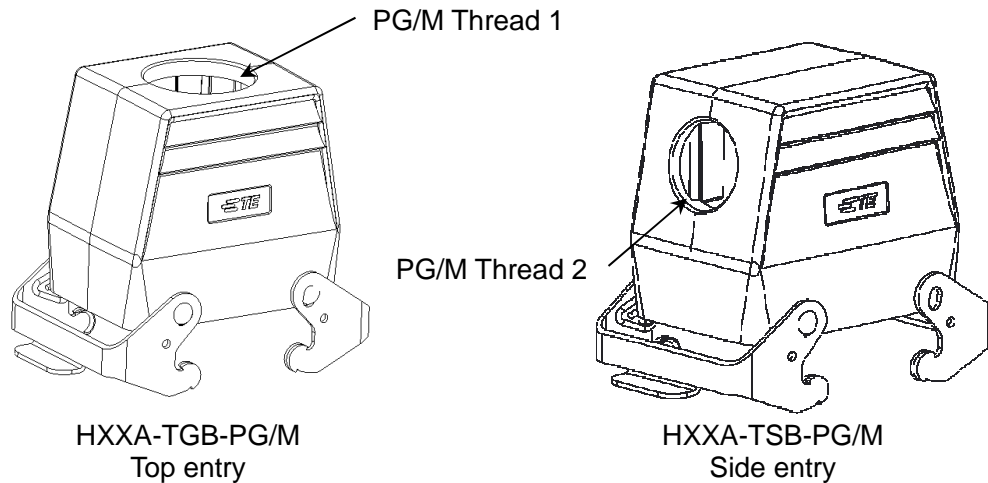


Figure: 4

- Hood & housing available for size: H32A
- PG/M Thread-1 optional: Blank, PG16, PG21, PG29, M20, M25, M32, M40, M50
- PG/M Thread-2 optional: Blank, PG16, PG21, PG29, M20, M25, M32, M40

Note: Different hood & housing size has different optional PG/M Thread-X. Refer to drawings for detailed information.

3.2.2. Housing type

3.2.2.1. Bulkhead mounted housing

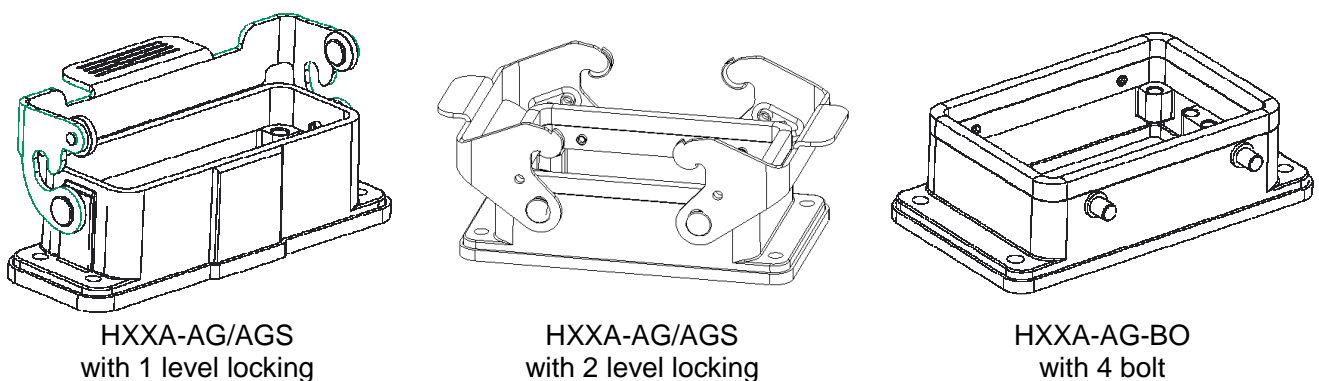


Figure: 5

- Hood & housing available for size: H10A/H16A/H32A

Note: Different hood & housing size has different optional locking type. Refer to drawings for detailed information.

3.2.2.2. Surface mounted housing

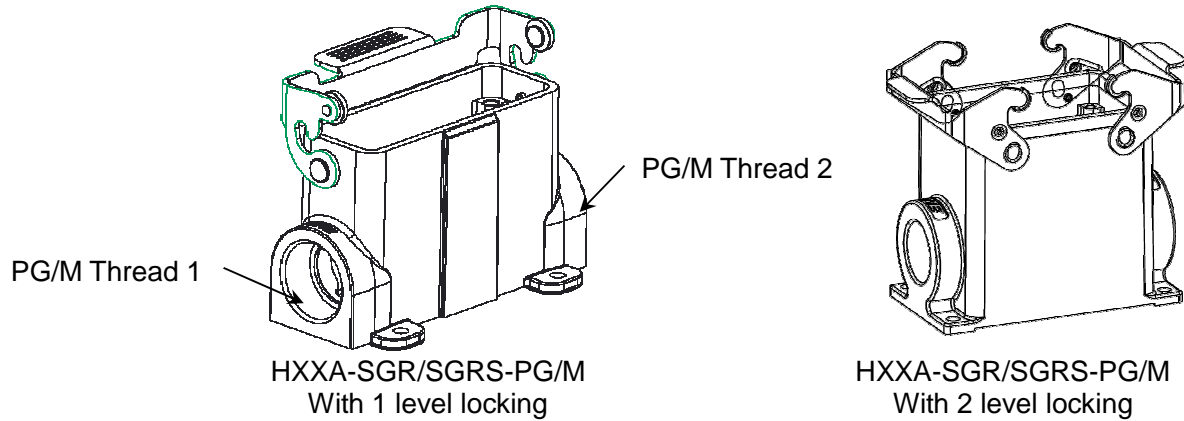


Figure: 6

- Hood & housing available for size: H10A/H16A/H32A
- PG/M Thread-1 optional: Blank, PG16, PG21, PG29, M20, M25, M32
- PG/M Thread-2 optional: Blank, PG16, PG21, PG29, M20, M25, M32

Note: Different hood & housing size has different optional PG/M Thread-X and locking type. Refer to drawings for detailed information.

3.2.2.3. Cable-to-Cable Housing

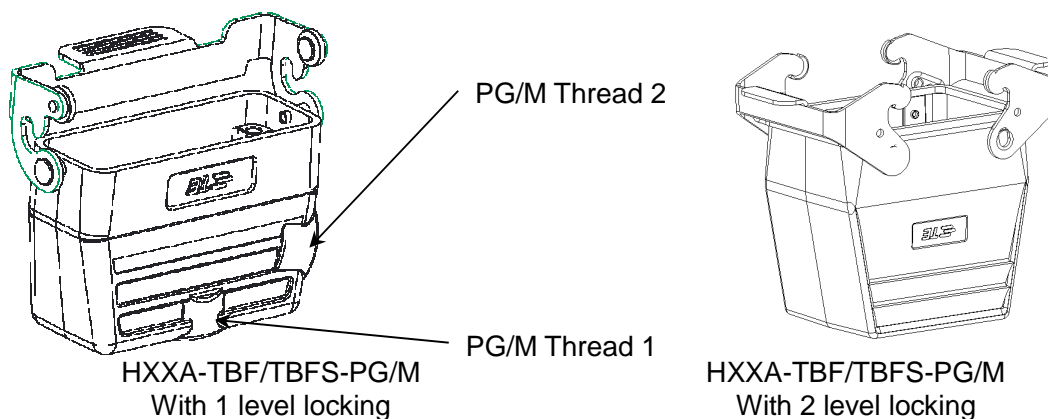


Figure: 7

- Hood & housing available for size: H10A/H16A/H32A
- PG/M Thread-1 optional: Blank, PG16, PG21, PG29, M20, M25, M32
- PG/M Thread-2 optional: Blank, PG16, PG21, PG29, M20, M25, M32

Note: Different hood & housing size has different optional PG/M Thread-X and locking type. Refer to drawings for detailed information.

4. REQUIREMENTS

4.1. Panel cut-out

For bulkhead mounted housing or surface mounted housings, for example as shown in Figure 8. More detailed information also can be found from related customer drawings.

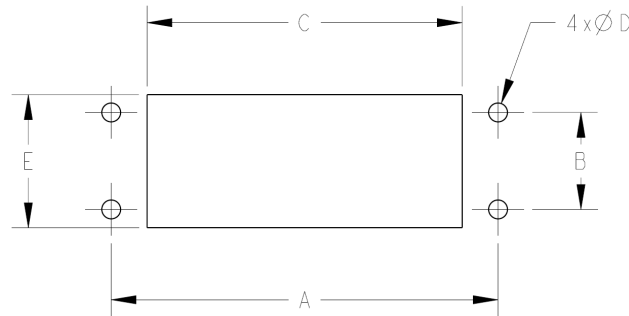


Figure: 8

Size	Type	Dimension(mm)				
		A	B	C	E	D
H10A	bulkhead	70	17.5	57	24	For M3 screw
	surface	48	40	-	-	For M4 screw
H16A	bulkhead	86	17.5	73	24	For M3 screw
	surface	64	40	-	-	For M4 screw
H32A	bulkhead	92	42	73	48	For M4 screw
	surface	94	46	-	-	For M5 screw

5. ASSEMBLY

5.1. Assembly housing on panel

For bulkhead mounted housing or surface mounted housings

Fix housing with 4 screws. Screw type refer to the related hood/housing customer drawing and tightening torque refer to spec of screws, but for M3 screw no less than 0.5Nm, M4 screw no less than 2Nm and M5 screw no less than 3Nm. For example as shown in Figure 9.

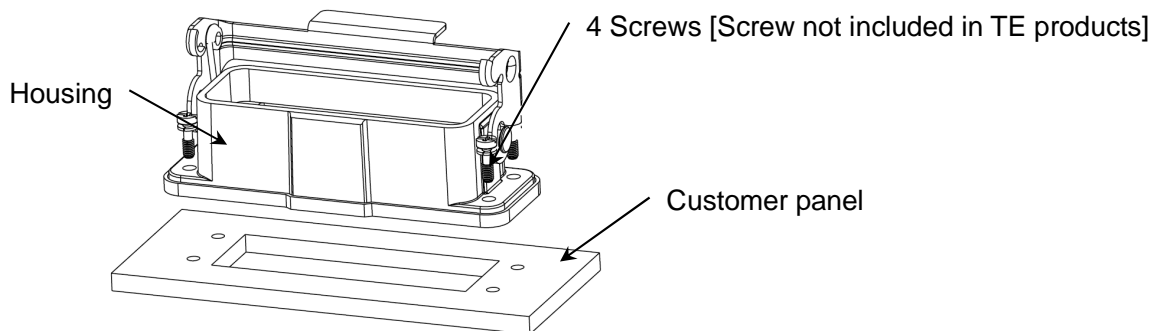


Figure: 9

5.2. Assembly male/female insert into hood/housing

Fix male/female insert with 4 x M3 screws. Tightening torque refer to spec of insert drawing.
For example as shown in Figure 10.

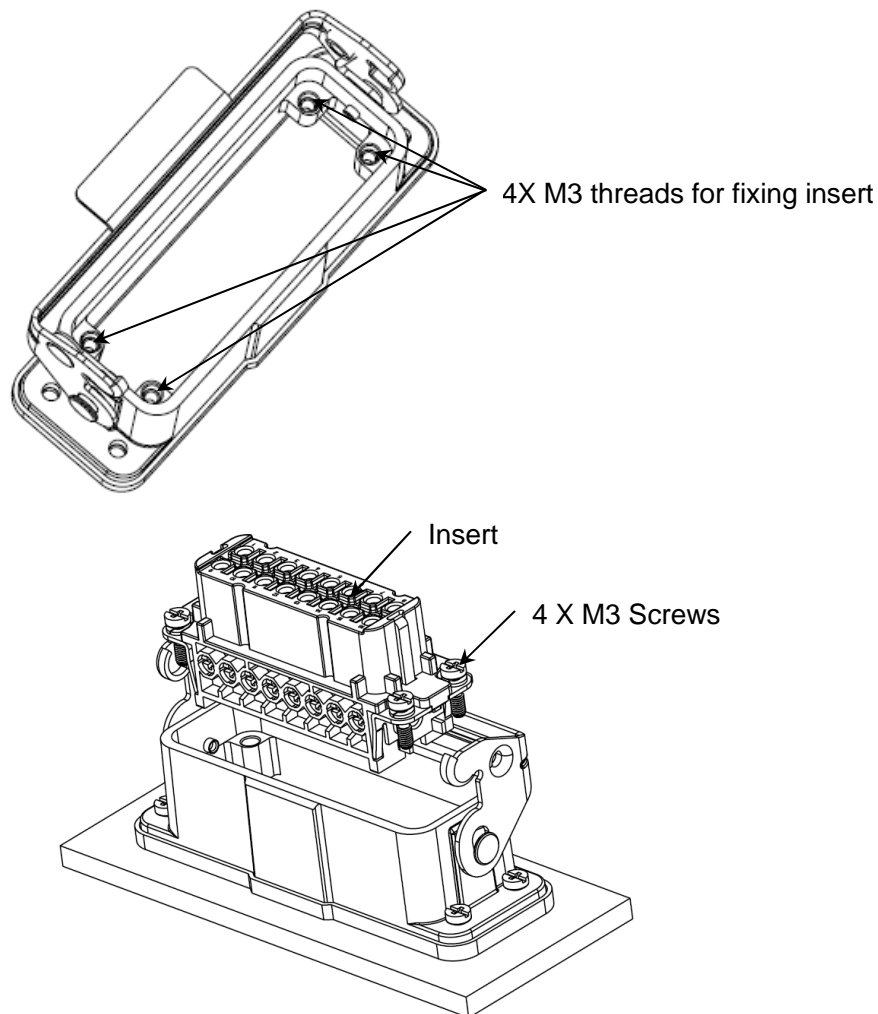


Figure: 10

Note:

- Refer application spec of male/female insert separately and before fixing to hood/housing, male/female insert should be well prepared.
- Whatever the type of hood/housing or the type of male/female insert, they have same assembly process here.

5.3. Assembly cable gland with hood/housing

Fix cable gland to hood/housing. Tightening torque refer to spec of cable gland.
For example as shown in Figure 11.

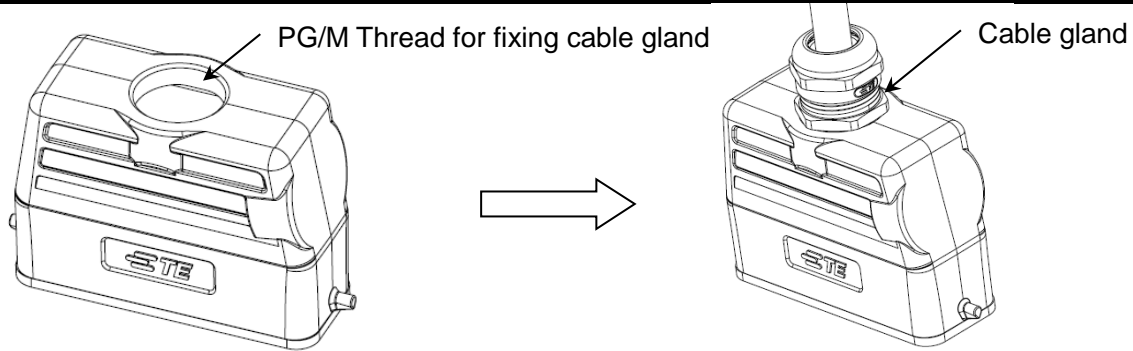


Figure: 11

Note:

- Refer application spec of cable gland separately.
- Whatever the type of hood/housing or the type & size of thread hole, they have same assembly process here.

5.4. Assembly hood with housing

A complete locking system with locking consists of the following components, for example as shown in Figure 12. The locking is used for the locking of the housing and hood. The locking is fixed on the housing and have to be pushed up to lock the hood.

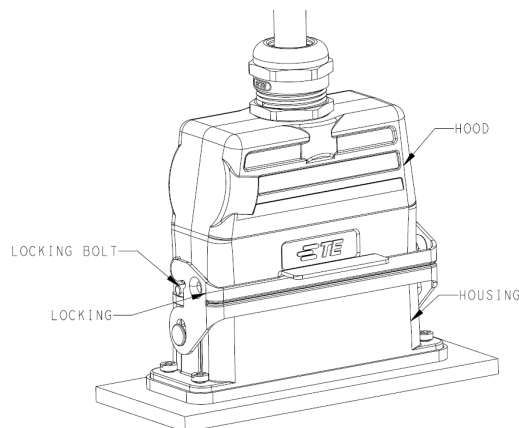


Figure: 12

Note:

- Whatever the type of hood & housing, they have same assembly process here.

6. STORAGE

The connectors should be stored in the air ventilation, no corrosive gas, no rain and no snow in the warehouse. Relative humidity: less than 85% RH.



Any conflict is found between this file and customer drawings, customer drawings are preferential. And please contact TE Connectivity related engineer if necessary.

----- End -----