



NOTE

All numerical values are in metric units [with U.S. customary units in brackets]. Dimensions are in millimeters [and inches]. Unless otherwise specified, dimensions have a tolerance of ± 0.13 [$\pm .005$] and angles have a tolerance of $\pm 2^\circ$. Figures and illustrations are for identification only and are not drawn to scale.

1. INTRODUCTION

This specification covers the requirements for application of (Crimp-Snap Terminals) CST-100 II Connectors on 2.54 mm [.100 in.] centerline. These requirements are applicable to hand or automatic machine crimping tools. These connectors are available in 2 through 28 positions and are terminated to 22, 24, and 26 AWG conductors. The CST-100 II connectors provide an interconnection between wires and 0.64 mm [.025 in.] square post headers mounted on printed circuit (pc) boards.

These connectors will mate with specified MTA-100 headers, similar competitive notched headers, and CST-100 shrouded headers. CST-100 II Connectors are NOT interchangeable with CST-100 contacts and housings.

When corresponding with TE Connectivity Personnel, use the terminology provided in this specification to facilitate inquiries for information. Basic terms and features of this product are provided in Figure 1.

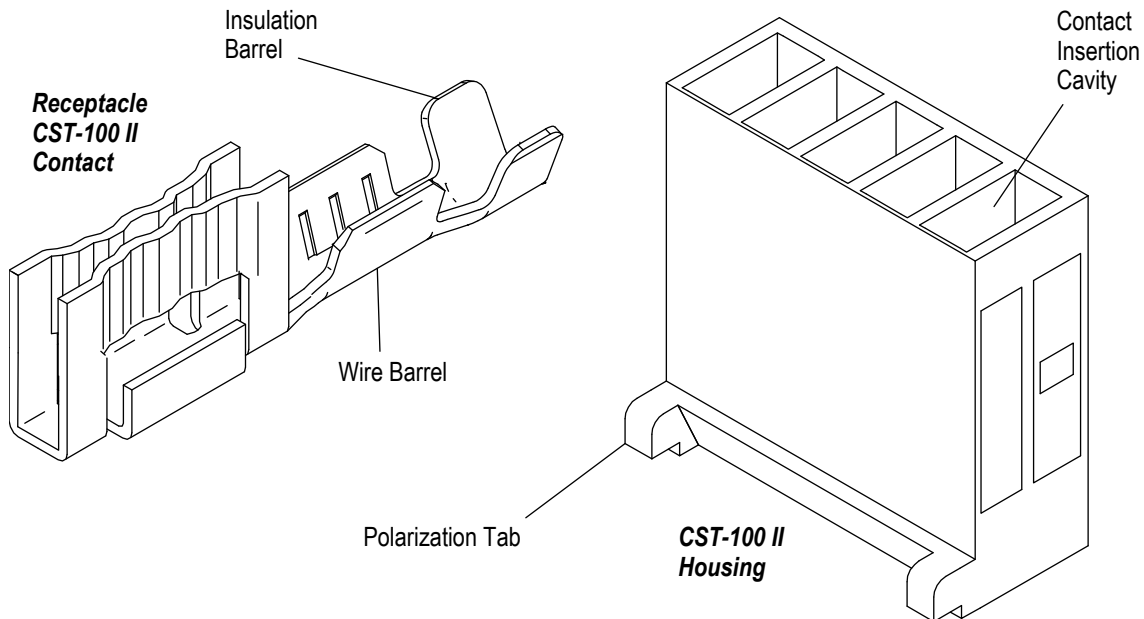


Figure 1

2. REFERENCE MATERIAL

2.1. Revision Summary

- Updated tooling part numbers and documents in Paragraph 2.5 and Figure 7.

2.2. Customer Assistance

Reference Product Base Part Number 1375820 and Product Code 3234 are representative of CST-100 II Connectors. Use of these numbers will identify the product line and help you to obtain product and tooling information when visiting www.te.com or calling the number at the bottom of page 1.

2.3. Drawings

Customer drawings for product part numbers are available from www.te.com. Information contained in the customer drawing takes priority.

2.4. Specifications

Product Specification [108-1948](#) provides product performance and test results.

2.5. Instructional Material

Instruction sheets (408-series) provide product assembly instructions or tooling setup and operation procedures and customer manuals (409-series) provide machine setup and operating procedures. Instructional material that pertain to this product are:

- [408-3295](#) Preparing Reel of Contacts for Application Tooling
- [408-4064](#) PRO-CRIMPER* III Hand Tool Assemblies 58517-[]
- [408-7424](#) Checking Terminal Crimp Height or Gaging Die Closure
- [408-8059](#) General Preventative Maintenance for Applicators
- [408-8493](#) CST-100 II Extraction Technique
- [408-9816](#) Handling of Reeled Products
- [408-9930](#) PRO-CRIMPER III Hand Crimping Tool Frame Assembly 354940-1
- [408-35042](#) Ocean 2.0 Side Feed Applicators Instruction Sheet
- [408-35043](#) Ocean 2.0 End Feed Applicators Instruction Sheet
- [409-10204](#) AMP 3K 2161400-[] and AMP 5K 2161500-[] Terminating Machines
- [409-32035](#) AMP-O-LECTRIC Model GII and GII+ Terminators 2217000-[]

3. REQUIREMENTS

3.1. Safety

Do not stack product shipping containers so high that the containers buckle or deform.

3.2. Storage

A. Ultraviolet Light

Prolonged exposure to ultraviolet light may deteriorate the chemical composition used in the product material.

B. Shelf Life

The product should remain in the shipping containers until ready for use to prevent deformation to components. The product should be used on a first in, first out basis to avoid storage contamination that could adversely affect performance.

C. Chemical Exposure

Do not store product near any chemical listed below as they may cause stress corrosion cracking in the material.

Alkalies	Ammonia	Citrates	Phosphates	Citrates	Sulfur Compounds
Amines	Carbonates	Nitrites	Sulfur	Nitrites	Tartrates

3.3. Temperature

The operating temperature of these connectors is -55° to 105°C [-67° to 221°F].

3.4. Material

The crimp-snap (lanceless) contacts are made from phosphor bronze, pre-tinned or with gold over nickel; and the housings are made from white UL 94V-0 Rated Nylon.

3.5. Wire Selection and Preparation

CST-100 II Contacts will accept stranded copper wire sizes and insulation diameters as listed in Figure 2. The crimp heights and insulation barrel crimp widths are also provided.



NOTE

The applied crimp dimension (within the functional range of the product) is dependent on the termination tooling being used. Refer to the documentation (applicator logs and instruction sheets) supplied with the termination tooling for the applied crimp height. See Section 5, TOOLING..



CAUTION

DO NOT nick, cut, or scrape the wire conductor during the stripping operation.

RECEPTACLE TYPE	WIRE SIZE, AWG	INSULATION DIAMETER RANGE	STRIP LENGTH	WIRE BARREL CRIMP		INSULATION BARREL CRIMP WIDTH
				WIDTH	HEIGHT	
Strip	26	0.89-1.65 [.035-.065]	3.18-3.40 [.125-.134]	1.07 [.042]	0.76±0.05 [.030±.002]	1.78 [.070]
	24	0.89-1.65 [.035-.065]	3.18-3.40 [.125-.134]	1.07 [.042]	0.81±0.05 [.032±.002]	1.78 [.070]
	22	0.89-1.65 [.035-.065]	3.18-3.40 [.125-.134]	1.07 [.042]	0.86±0.05 [.034±.002]	1.78 [.070]
Loose Piece	26-22	0.89-1.65 [.035-.065]	3.18-3.40 [.125-.134]	1.07 [.042]	0.84-0.74 [.033-.029]	1.78 [.070]

Figure 2

3.6. Crimped Contact Requirements

Locate the contact to be crimped in the appropriate tooling according to the instructions packaged with that tooling. Detailed instructions covering the placement of contacts in the tooling and the use of such tooling is packaged with each tool.

Terminate the contact according to the directions shipped with the appropriate tooling. See Section 5, TOOLING.



CAUTION

Wire insulation shall NOT be cut or broken during the crimping operation, nor shall the insulation be crimped into the contact wire barrel. Reasonable care should be taken by tooling operators to provide undamaged wire terminations.



NOTE

Periodic inspections must be made to ensure crimped contact formation is consistent as shown in Figure 3.

A. Crimp Height

The crimp applied to the wire portion of the contact is the most compressed area and is most critical in ensuring optimum electrical and mechanical performance of the crimped contact. The crimp height must be within the dimensions provided in Figure 2.

B. Crimp Length

For optimum crimp effectiveness, the crimp must be within the area shown and must meet the crimp dimensions provided in Figure 2. Effective crimp length shall be defined as that portion of the wire barrel, excluding bellmouth(s), fully formed by the crimping tool. Instructions for adjusting, repairing, and inspecting tools are packaged with the tools. See Figure 7.



NOTE

The effective crimp length is given for tooling design only, and should not be used for inspection criteria.

C. Bellmouths

Front and rear bellmouths shall be evident and conform to the dimensions given in Figure 3.

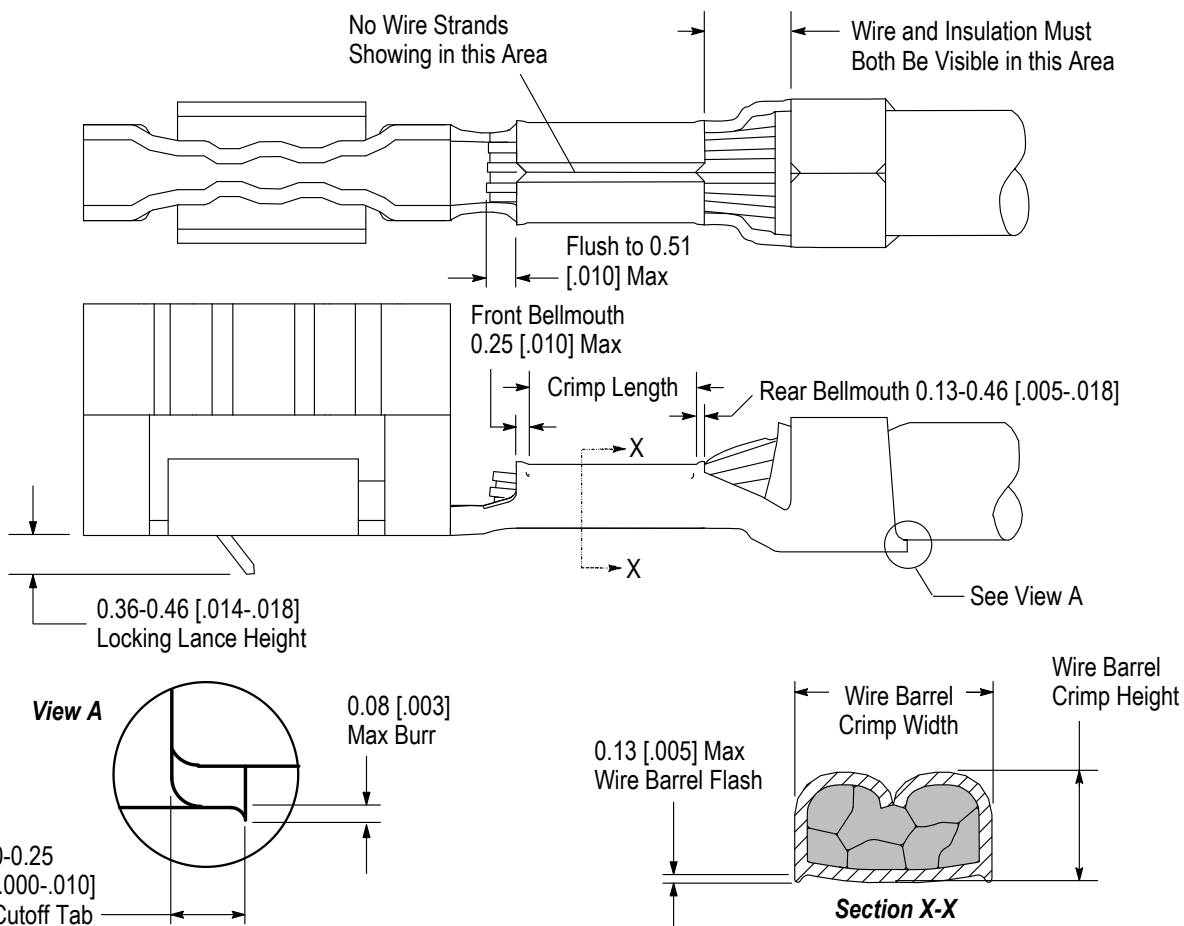


Figure 3

D. Cutoff Tab

The cutoff tab shall be cut to the dimensions shown in Figure 3 in View A.

E. Burrs

The cutoff burr shall not exceed the dimensions shown in Figure 3 in View A.

F. Wire Barrel Flash

The wire barrel flash shall not exceed the dimensions shown in Figure 3 in Section X-X.

G. Wire Location

After crimping, the wire conductor and insulation must be visible in the transition area between the wire and insulation barrels.

H. Conductor Location

The conductor may extend beyond the wire barrel to the maximum shown in Figure 3.

I. Locking Lance

Locking lance height must not change during termination. Refer to specific product customer drawing for exact dimensional requirements.

J. Wire Barrel Seam

The wire barrel seam must be closed with no evidence of loose wire strands visible in the seam.

K. Twist and Roll

There shall be no twist, roll, deformation, or other damage to the mating portion of the crimped contact that will prevent proper mating.

L. Straightness

The force applied during crimping may cause some bending between the crimped wire barrel and the mating portion of the contact. Such deformation is acceptable within the following limits.

1. Up and Down

The crimped contact, including cutoff tab and burr, shall not be bent above or below the datum line more than the amount shown in Figure 4.

2. Side to Side

The side-to-side bending of the contact may not exceed the limits provided in Figure 4.

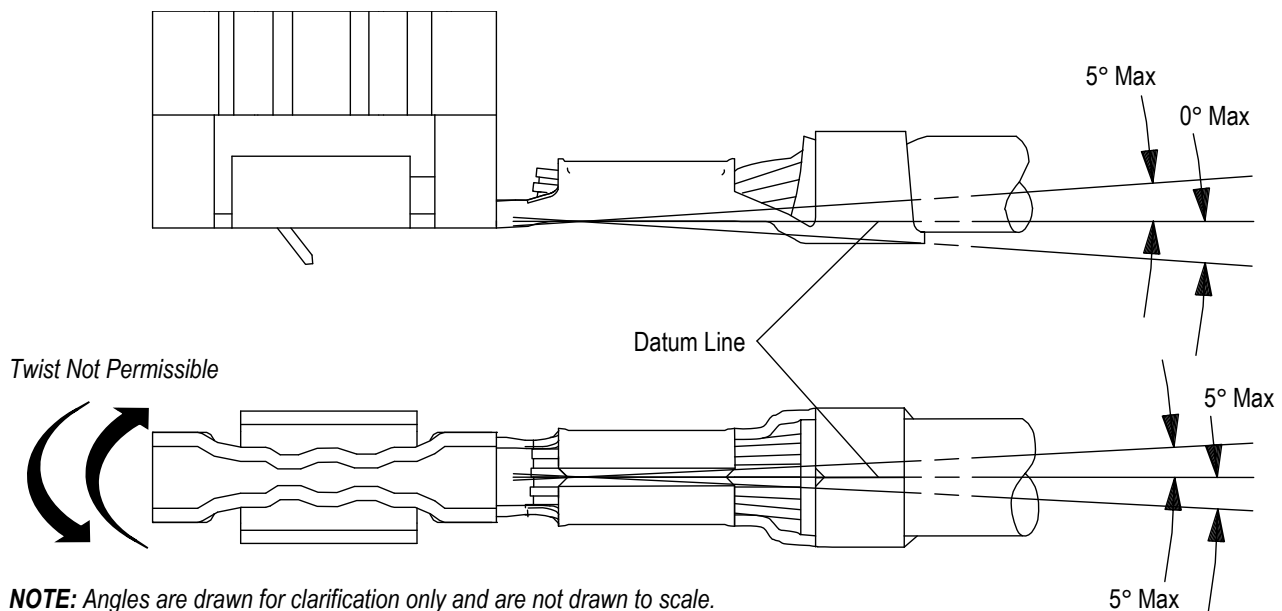


Figure 4

3.7. Housings

CST-100 II Housings are available in 2 through 28 positions. They are available in a natural color, UL 94 V-0, Flame Retardant Nylon. See Figure 5.

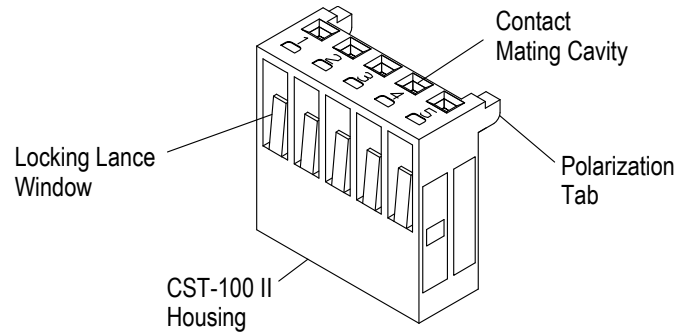


Figure 5

3.8. Contact Insertion

Orient the crimped contact so that the locking lance aligns with the contact insertion cavity as shown in Figure 6. Insert contact into housing until it bottoms, and audible click is heard or felt. Pull back lightly on the wire to ensure retention of crimped contact in housing.

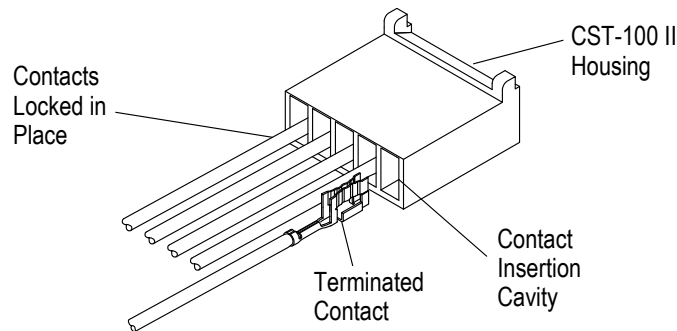


Figure 6

3.9. Repair/Contact Replacement

Refer to Instruction Sheet [408-8493](#) for information on CST-100 II extraction techniques.

4. QUALIFICATION

4.1. Underwriters Laboratories Inc. (UL)

CST-100 II Connectors are recognized by Underwriters Laboratories Inc. (UL) in File E28476.

4.2. Canadian Standards Association (CSA)

CST-100 II Connectors are certified to CSA International in File LR7189.

5. TOOLING

This section provides a selection of tools for various application requirements. They include hand tools for manual application of loose piece contacts, and semi-automatic and automatic machines for power assisted application of strip form contacts. Modified designs and additional tooling concepts may be available to meet other application requirements. For additional information, contact one of the service groups at the bottom of page 1. A listing of tooling recommendations covering the full wire size range is provided in Figure 7.

5.1. Hand Crimping Tools

Hand crimping tools that accommodate the full wire size range are designed for prototype and low-volume applications such as repair of damaged contacts.

5.2. Applicators

Applicators are designed for the full wire size range of strip-fed, precision formed contacts, and provide for high volume, heavy-duty production requirements. The applicators can be used in bench or floor model power units.



NOTE

Each applicator is shipped with a metal identification tag attached. DO NOT remove this tag or disregard the information on it. Also, a packet of associated paperwork is included in each applicator shipment. This information should be read before using the applicator; then it should be stored in a clean, dry area near the applicator for future reference. Some changes may have to be made to the applicators to run in all related power units. Contact the Tooling Assistance Center number at the bottom of page 1 for specific changes.



NOTE

CST-100 II contacts are designed to run in existing CST-100 application tooling. However, some minor adjustments may be required before running. Verify that you have the latest revision level for all crimp tooling by reviewing the appropriate applicator log available from the Tooling Assistance Center phone numbers listed at the bottom of page 1.

5.3. Power Unit

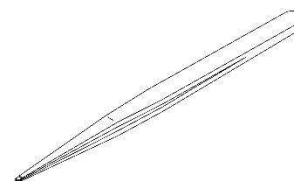
A power unit is an automatic or semi-automatic device used to assist in the application of a product. Power unit includes the power source used to supply the force or power to an applicator.



AMP-O-LECTRIC Model GII Terminator 2217000-[]



AMP-O-LECTRIC Model GII+ Terminator 2844800-[]



Tweezer Extraction Tool 1490583-1



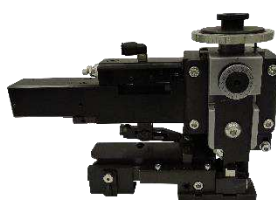
AMP 5K/40, 5K/30 CE Terminating Machine [-]2161500-[]



AMP 3K/40 CE Terminating Machine 2161400-[]



Ocean Mechanical 2.0 Applicator [-]2151011-[]



Ocean Pneumatic 2.0 [-]2151011-[]



Hand Tool Assembly 58517-3

WIRE SIZE, AWG	INSULATION DIAMETER	APPLICATOR (DOC)	HAND TOOL ASSEMBLY (DOC)
26-22	0.89-1.65 [.035-.065]	2151011 (408-35042)	58517-3 (408-4064)

Figure 7 (end)



NOTE

The AMP 3K/40 CE Terminating Machine 2161400-[] supports wire up to 16 AWG [5.5 mm²].

6. VISUAL AID

The illustration below shows a typical application of this product. This illustration should be used by production personnel to ensure a correctly applied product. Applications which do not appear correct should be inspected using the information in the preceding pages of this specification and in the instructional material shipped with the product or tooling.

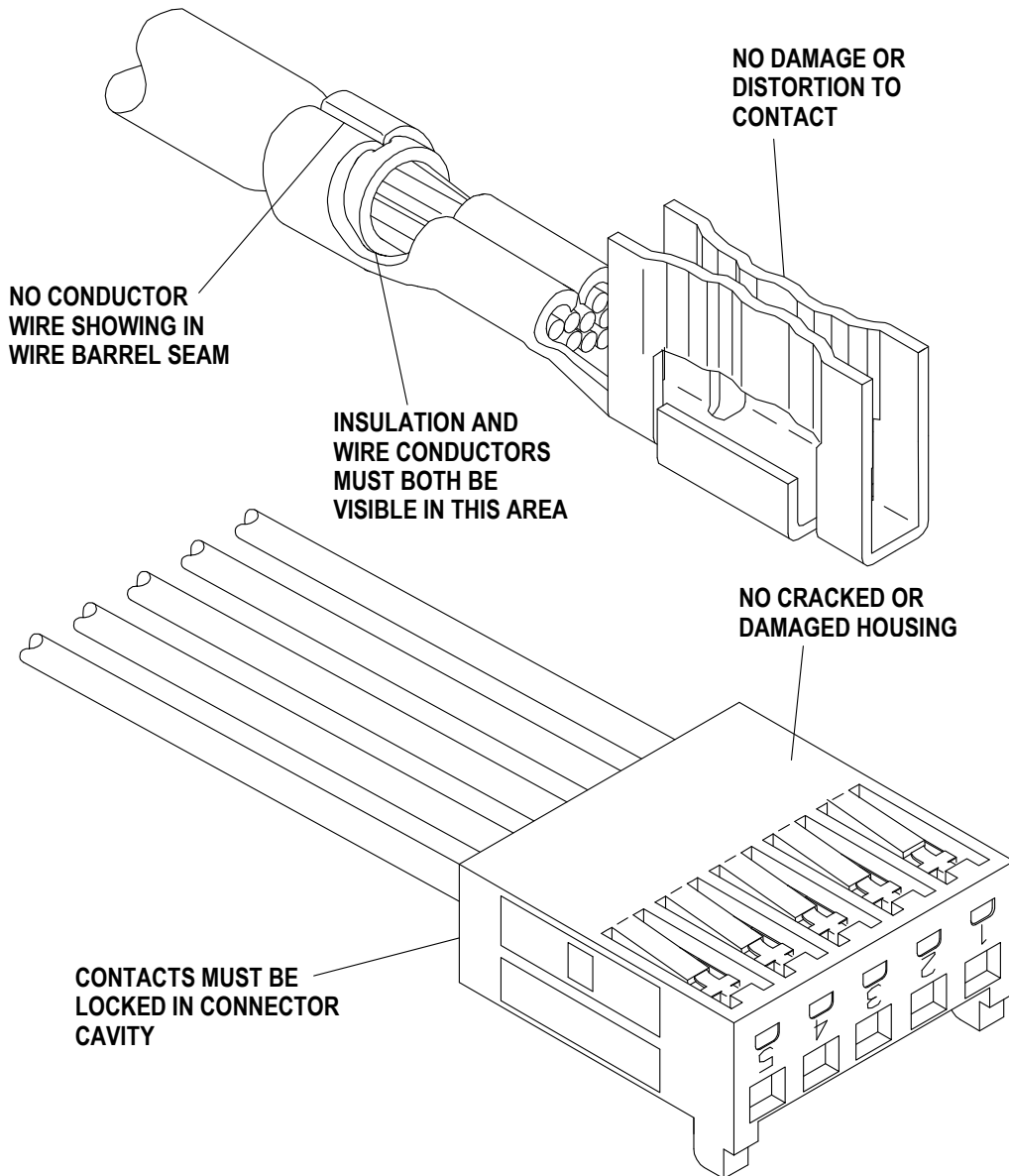


Figure 8: Visual Aid