

108-5178

Rev. C1

Design Objectives

(設計目標書)

110,.187 & 250 Series FASTON Terminals

(.110,.187 & 250 シ-ス・ファストン・リセブタクル)

Following first 17 pages are English version and last 13 pages are Japanese version. This top sheet is not part of the specification but explains both of English and Japanese versions are available.

このトップシートに続く最初の 17 ページは英語版で、その後の 13 ページは日本語版です。このトップシートは、規格には含まれませんが、英語、日本語両方があることを説明しています。

DESIGN OBJECTIVES

The product described in this document has not been fully tested to ensure conformance to the requirements outlined below. Therefore, AMP (Japan), Ltd. makes no representation or warranty, express or implied, that the product will comply with these requirements. Further, AMP (Japan), Ltd. may change these requirements based on the results of additional testing and evaluation. Contact AMP Engineering for further details.

In case when "product specification" is referred to in this document, it should be read as "design objectives" for all times as applicable.

.110, .187 & .250 Series FASTON Terminals

1. SCOPE

This specification specifies .110, .187 and .250 Series, FASTON terminals (hereinafter called receptacles), in accordance with JIS C 2809, Flat Quick-connect Terminals.

Applicable product part numbers are as follows:

Table 1

Name	Symbol of Shape	Series	Nominal Size	Cross-sectional Area of Applicable Cable Wire mm ²	Applicable Part No.	Material
Flat Quick-connect terminal	FS (Straight)	2.8 mm (.110)	2.8B-0.5-5	0.2 ~ 0.5	170043-2, 170048-2	Brass
			2.8P-0.5-5	0.2 ~ 0.5	170043-4, 170048-4	Phosphor bronze
		4.8 mm (.187)	4.8B-0.5-5	0.2 ~ 0.5	170214-2, 170203-2	Brass
				0.2 ~ 1.25	170037-2, -6, 170038-2	Brass
			4.8P-1.25-5	0.5 ~ 1.25	170037-4, 170038-4	Phosphor bronze
		6.3 mm (.250)	6.3B-0.75-8	0.3 ~ 0.75	170183-2, 170187-2	Brass
				0.75 ~ 2.0	170213-2, -5, 41274, 41729	Brass
			6.3P-0.75-8	0.3 ~ 0.75	170096-2, 170095-1	Phosphor bronze
				0.75 ~ 2.0	170213-3, 170083-2, 170084-2	Phosphor bronze

For crimping condition, see Application Specification 114-5084.

PRINT DISY	C1	Revised FJ00-1455-99	KS	KAC	APR 95	DR	AMP		AMP (Japan), Ltd. TOKYO, JAPAN	
	C	Revised FJ00-3219-95	ms	FL	6-SEP '95	DR	S. Saito 2/6/86		LOC	NO
	B1	Design Objectives				DR	M. Kawata		J	A
	B	Translated			8/6 '86	DR	SHEET		108-5178	
	LTR	REVISION RECORD	CR	CHK	DATE		1 OF 17		.110, .187 & .250 Series FASTON Terminals	

2. DEFINITIONS

For the purpose of this specification, the following definitions apply.

- (1) Flat Quick-connect Terminal
A female type quick connector, with which a male tab can easily be mated and unmated without using tools.
- (2) Male Tab
A flat male type terminal which is put into the receptacle.
- (3) Test Male Tab
A male tab manufactured with special tighter tolerance to carry out the tests for insertion force and extraction force.
- (4) Crimped Barrel
An area of receptacles by which crimp type connection with wire is made by means of a tool.

3. SYMBOL, NOMINAL SIZE, CLASS AND DIMENSIONS:

The symbol, nominal size and class of receptacles are as shown in Table 1 and the dimensions shall be as shown in Table 2.

4. PERFORMANCES

4.1 Appearance

There shall be no defects such as scratch, rust, fissure, and crack that are detrimental to terminal functions, when the test is made in accordance with Para. 6.2. And the marking shall remain legible clearly.

4.2 Dimensions

The dimension of each part of a receptacle shall comply with the relevant dimension specified in Table 2, when tested in accordance with Para. 6.3.

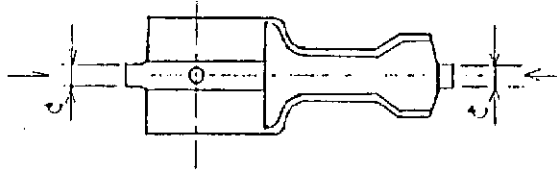
4.3 Plating

The thickness of plating shall be not less than that specified as Grade 1 in JIS H 8619, when the test is carried out in accordance with Para. 6.4. The sheared surface (2) caused by stamp forming, however, is not considered as the object of this judgement.

SHEET		AMP		AMP (Japan), Ltd. TOKYO, JAPAN	
<u>2</u> OF <u>17</u>	LOC J A	NO 108-5178	REV. C1		
NAME Flat Quick-connect Terminals per JIS C 2809 .110, .187 & .250 Series FASTON Terminals					

Note (2) Sheared surface means the part of C viewed from the direction of an arrow shown in Fig. 1.

Fig. 1 Sheared Surface of Receptacle



4.4 Crimp Type Connectivity

The quick connector shall be so constructed that no defects such as fissure and crack, detrimental to practical use appear, and that sufficiently in contact with the wire, when the test is carried out in accordance with Para. 6.5.

4.5 Temperature Rise

When tested in accordance with Para. 6.6, the temperature rise of crimp type connected area shall be not greater than 30°C.

4.6 Heat Cycle

In the heat cycle test carried out in accordance with Para. 6.7, the temperature rising at the end of current duration of 24th cycle and that of 500th cycle shall be not more than 85°C. Moreover, the total value of contact resistance between receptacle and male tab, and the electrical resistance of crimped area between receptacle and wire shall not exceed the relevant value given in Table 2.

Table 2 Total Electrical Resistance Value of Crimped Area

Unit: mΩ

Series	Cycle	Cross-Sectional Area of Wire				
		0.3 mm ²	0.5 mm ²	0.75 mm ²	1.25 mm ²	2.0 mm ²
2.8 mm (.110)	24	4.0	2.7	-	2.0	-
	500	6.0	3.5	-	2.5	-
4.8 mm (.187)	24	3.0	2.0	-	1.0	-
	500	4.0	2.5	-	1.2	-
6.3 mm (.250)	24	2.0	-	1.1	-	0.7
	500	2.7	-	1.6	-	0.9

SHEET		AMP		AMP (Japan), Ltd.	
3 OF 17				TOKYO, JAPAN	
LOC	A	NO	108-5178	REV.	C1
NAME					
.110, .187 & .250 Series FASTON Terminals					

4.7 Tensile Strength (Crimp Type Connected Area)

When the tensile strength is tested in accordance with Para. 6.8, there shall be no breaking and/or drawing off of wire from the crimp type connected area between receptacle and wire, caused by a tensile load of not more than the relevant value given in Table 3.

Table 3 Tensile Load for Crimp Type Connected Area

Unit: N(kgf)

Series	Cross-Sectional Area of Wire				
	0.3 mm ²	0.5 mm ²	0.75 mm ²	1.25 mm ²	2.0 mm ²
2.8 mm (.110)					
4.8 mm (.187)	49 (5)	78.4 (8)	147 (15)	196 (20)	274.4 (28)
6.3 mm (.250)					

4.8 Insertion and Extraction Force

When the receptacle is tested in accordance with Para. 6.9, the insertion force and extraction force shall comply with the relevant value given in Table 4.

Table 4 Insertion Force and Extraction Force

Unit: N(kgf)

Series	Initial		6th Time
	Insertion Force	Extraction Force	Extraction Force
2.8 mm (.110)	53(5.4) max.	9(0.9) min.	5(0.5) min.
4.8 mm (.187)	67(6.8) max.	13(1.3) min.	9(0.9) min.
6.3 mm (.250)	76(7.8) max.	13(1.3) min.	13(1.3) min.

4.9 Resistance to Salt Spray

When a receptacle is tested in accordance with Para. 6.10, there shall be no defects regarded as detrimental to practical use, such as exposure of base metal, generation of pinholes. The sheared surface caused by stamp forming (refer to Note (2)), however, is not regarded as the object of judgement.

SHEET		AMP		AMP (Japan), Ltd. TOKYO, JAPAN	
4 OF 17	LOC J	A	NO 108-5178	REV. C1	
NAME					
.110,.187 & .250 Series FASTON Terminals					

AMP SECURITY CLASSIFICATION
 Customer Release
 NUMBER 108-5178

5. MATERIALS AND WORKING METHOD

5.1 Materials

The materials of receptacles shall be the ones specified in AMP 100-5100 (brass) or AMP 100-5101 (phosphor bronze).

5.2 Working Method

The receptacle shall be manufactured by stamping and forming the materials specified in Para. 5.1 in AMP 131-5000 (Operation Standard).

5.3 Corrosion Protective Treatment

The electrodeposited tin-plating specified in AMP 112-5000-3 shall be applied to the receptacle. The plated thickness is specified on the respective drawing.

6. TESTS

6.1 Test Conditions

- (1) Unless otherwise specified, test shall be carried out in a room at ordinary temperature ($20 \pm 15^{\circ}\text{C}$) and ordinary humidity ($65 \pm 20\%$), conforming to JIS Z 8703, Standard Atmospheric Conditions for Testing.
However, the tests of Para. 6.6 and Para. 6.7 shall be carried out by placing the test specimens in the still atmosphere at 15 to 35°C .
- (2) For the tests of Paras. 6.2, 6.3, 6.4, 6.9 and 6.10, a receptacle not connected with wire shall be used. Number of specimens for Paras. 6.2 to 6.10 shall be as shown in Table 5, and the cross-sectional area of connected wire to be used for Paras. 6.5 to 6.8 shall be as shown in Table 6. New polyvinyl chloride insulated wire (3) shall be connected by crimping without their connecting surface polished, by means of a tool applicable to the size of the receptacle to prepare test specimens.

Note (3) It shall be the standard wire specified in JIS C 3306. For the wire of 0.3 mm^2 in cross-sectional area, however, refer to Appendix.

SHEET		AMP		AMP (Japan), Ltd. TOKYO, JAPAN	
5 OF 17		LOC	A	NO	REV.
		J		108-5178	C1
NAME					
.110, .187 & .250 Series FASTON Terminals					

Table 5 Number of Specimens

Unit: piece

Test Item	Number of Specimens
(1) Appearance	10
(2) Dimensions	10
(3) Plating	10
(4) Crimp type connectivity	10
(5) Temperature rising	12
(6) Heat cycle	12
(7) Tensile strength	10
(8) Insertion/Extraction force	10
(9) Salt spray resistance	10

Table 6 Cross-sectional Area of Wire to be Connected for Test

Unit: mm²

Series	Applicable Wire Range	Wire Range for Test
2.8 mm (.110)	0.2 ~ 0.5	0.3, 0.5
	0.5 ~ 1.25	0.5, 1.25
4.8 mm (.187)	0.2 ~ 0.5	0.3, 0.5
	0.5 ~ 1.25	0.5, 1.25
6.3 mm (.250)	0.3 ~ 0.75	0.3, 0.75
	0.75 ~ 2.0	0.75, 2.0

(3) The test shall be made on new male tab and receptacle. The male tab used for the tests specified in Paras. 6.6 and 6.7 shall be electrodeposited tin-plating at least equivalent to that of Grade 1 specified in JIS H 8619. In any case, before the test, the test specimen shall not be rinsed nor treated by other means.

(4) Crimping Condition of Receptacle
For crimping condition, see Application Specification, 114-5084.

6.2 Appearance Test

The receptacle shall be visually inspected for the presence of defects detrimental to practical use such as scratch, rust, fissure, crack and the marking or not.

SHEET	AMP		AMP (Japan), Ltd. TOKYO, JAPAN	
<u>6</u> OF 17	LOC	NO	REV.	
	J	A	108-5178	C1
NAME Flat Quick-connect Terminals per JIS C 2809 .110, .187 & .250 Series FASTON Terminals				

6.3 Dimension Test

The dimensions of various parts shall be measured by a suitable method with the use of Grade 1 vernier callipers specified in JIS B 7507 or a measuring apparatus at least equivalent to the above in accuracy or other measuring apparatus and shall comply with the dimensions given in Table 2.

6.4 Plating Test

In accordance with the method specified in JIS H 8619, the plated thickness on the part of receptacle to be fitted with the male tab shall be tested.

6.5 Cross-sectional View Inspection of Wire Crimp

The crimped area is sheared and the cross section shall be tested by the fluorescent liquid penetrant method specified in JIS Z 2343, or visually observed by the aid of a magnifying lens of 10 magnifications to check whether there are no defects detrimental to practical use such as fissure, crack, and the crimping of wire is effective or not.

6.6 Temperature Test

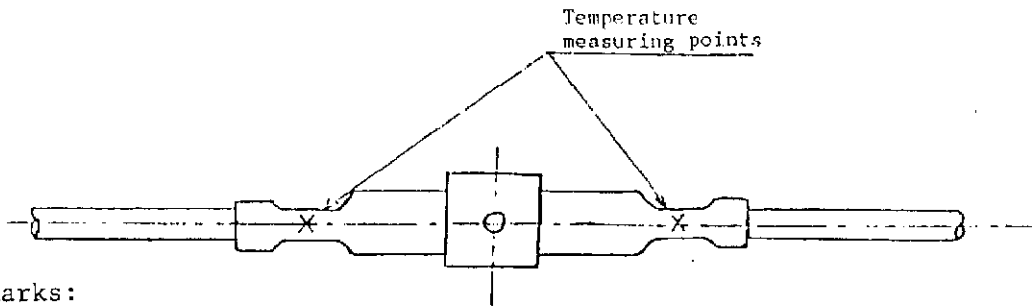
The temperature test shall be carried out as follows:

- (1) The temperature test current (a.c.) given in Table 7 shall be passed continuously by the method shown in Fig. 2 until the temperature of the measuring points becomes stabilized (4).

Note (4) The stabilized temperature means such temperature that when the mutual difference between the readings of temperature rising measured 3 times with 10 min. intervals becomes not more than 0.5°C.

SHEET		AMP		AMP (Japan), Ltd. TOKYO, JAPAN	
<u>7</u> OF 17	LOG	J	A	NO	108-5178
NAME				REV.	C1
.110, .187 & .250 Series FASTON Terminals					

Fig. 2 Temperature Measuring Point



Remarks:

1. Minimum distance between the specimens shall be 150 mm.
2. Minimum length of polyvinyl chloride insulated wire to be connected to power source shall be 300 mm.

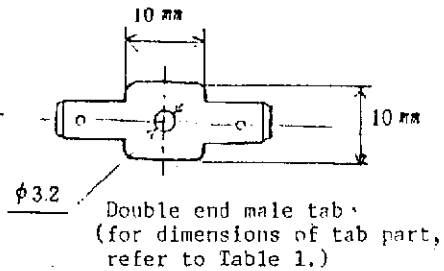


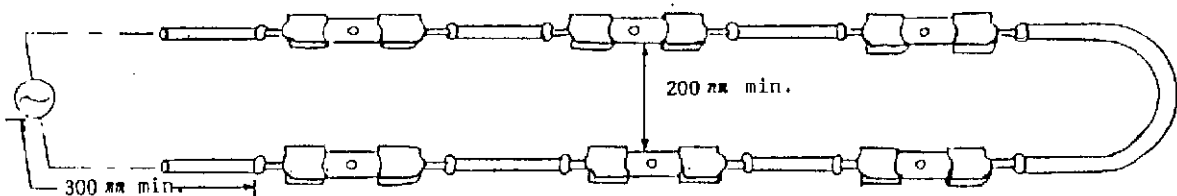
Table 7 Temperature Test Current

Unit: A

Series	Cross-Sectional Area of Wire				
	0.3 mm ²	0.5 mm ²	0.75 mm ²	1.25 mm ²	2.0 mm ²
2.8 mm (.110)	2.0	3.0	-	5.0	-
4.8 mm (.187)	2.5	4.0	-	10.0	-
6.3 mm (.250)	2.5	4.0	6.0	10.0	13.0

(2) The specimens used for the temperature test shall be connected as shown in Fig. 3, and located horizontally in the open space, apart 300 mm or more from the wall, 600 mm or more from the ceiling, 200 mm or more in distance between specimens confronting each other, by such a method that the measurement of temperature will be not inconvenient.

Fig. 3 Connecting Method of Specimens for Temperature Test



SHEET	AMP			AMP (Japan), Ltd.	
				TOKYO, JAPAN	
8 OF 17	LOG	A	NO	108-5178	REV.
NAME					
.110, .187 & .250 Series FASTON Terminals					

- (3) The temperatures at the measuring points shown in Fig. 2 shall be measured in accordance with the measuring method with thermocouple of Grade C or exceeding, specified in JIS Z 8704.

Thermocouples with component wires of 0.2 to 0.3 mm in diameter shall be used, and be stuck to the points under measurement by soldering or the like.

6.7 Heat Cycle Test

The heat cycle test shall be made as follows:

- (1) By the method shown in Fig. 4, Fig. 5 and Fig. 6, the heat cycle test current (a.c.) given in Table 8 shall be passed for 45 min. and rested for 15 min., this operation shall be made for 500 cycles.

Table 8 Heat Cycle Test Current

Unit: A

Cross-Sectional Area of Wire	0.3 mm ²	0.5 mm ²	0.75 mm ²	1.25 mm ²	2.0 mm ²
Series					
2.8 mm (.110)	4.0	6.0	-	10.0	-
4.8 mm (.187)	5.0	8.0	-	20.0	-
6.3 mm (.250)	5.0	8.0	12.0	20.0	26.0

- (2) The temperature shall be measured in accordance with the measuring method with thermocouple of Grade C or exceeding, specified in JIS Z 8704, and the measuring points shall be as shown in Fig. 6.

Thermocouples with component wires of 0.2 to 0.3 mm in diameter shall be used, and be stuck to the points under measurement by soldering or the like.

- (3) The electrical resistance shall be measured by the method as shown in Fig. 6. The total value of contact resistance between receptacle and male tab and electric resistance of crimped part between receptacle and wire shall be measured by voltage drop method, while the test current specified for the heat cycle test is energized. The test shall be carried out in a room with little effect of draft, after the temperature of specimen has been almost stabilized by energizing the test current.

SHEET	AMP		AMP (Japan), Ltd. TOKYO, JAPAN	
9 OF 17	LOG	NO	108-5178	REV.
NAME	J	A		C1
.110, .187 & .250 Series FASTON Terminals				

NUMBER 108-5178
 CUSTOMER Release
 AMP SECURITY CLASSIFICATION

Fig. 4 Mounting Method of Specimen

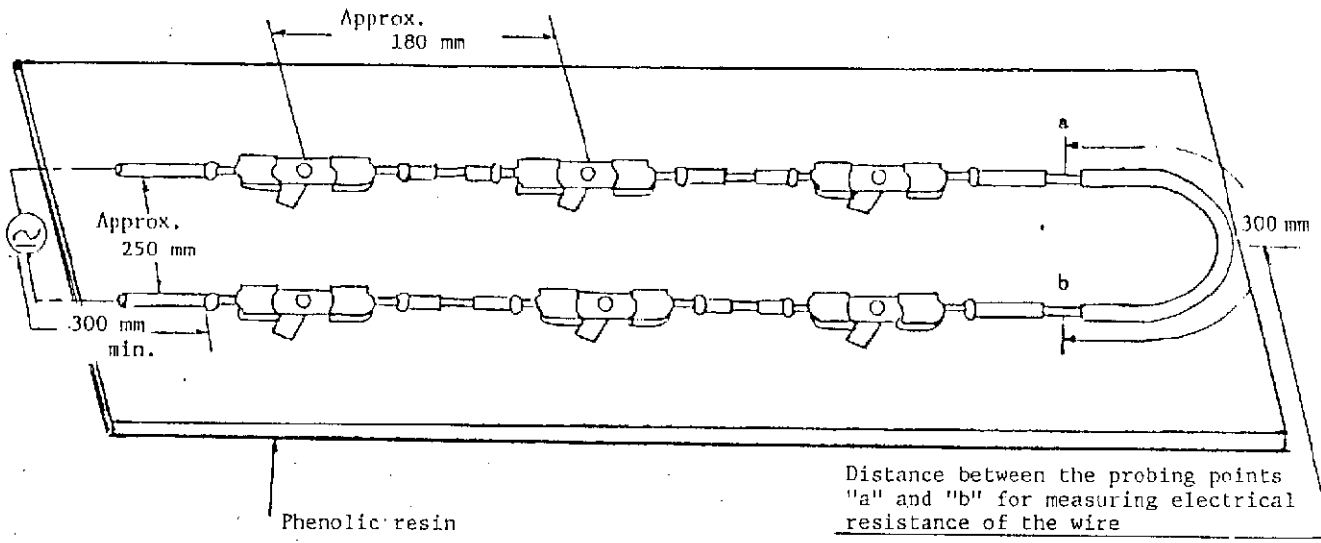
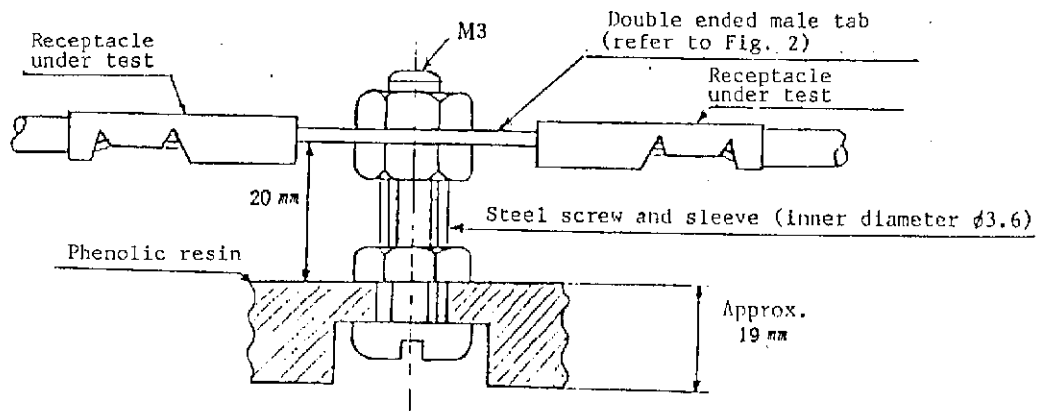
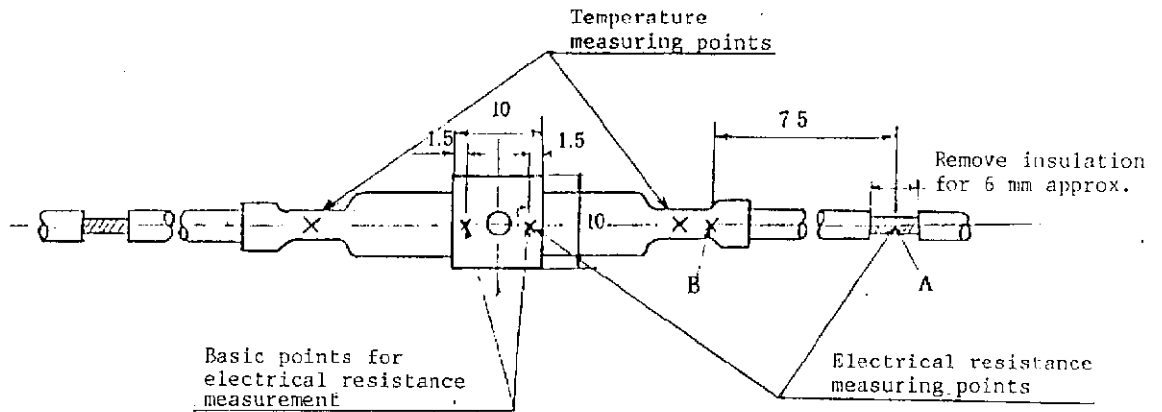


Fig. 5 Enlarged View of Specimen Mounting Area



SHEET		AMP		AMP (Japan), Ltd. TOKYO, JAPAN	
10 OF 17	Loc J A	NO 108-5178	REV. C1		
NAME					
.110, .187 & .250 Series FASTON Terminals					

Fig. 6 Measuring Points for Temperature and Electric Resistance



Remarks:

1. Minimum length of the polyvinyl chloride insulated wire to be connected to power source shall be 300 mm.
2. Electrical resistance shall be obtained from the following formula:

$$R_{BC} = R_{AC} - R_{AB}$$

where R_{BC} : Termination resistance (contact resistance between receptacle and male tab + the resistance of crimped area between receptacle and wire)

R_{AB} : The resistance of a 75 mm long wire which is obtained in such a way that the resistance of wire 300 mm in length (length between a - b), as shown in Fig. 4, is measured and the value is reduced to correspond the case of wire 1/4 long (75 mm)

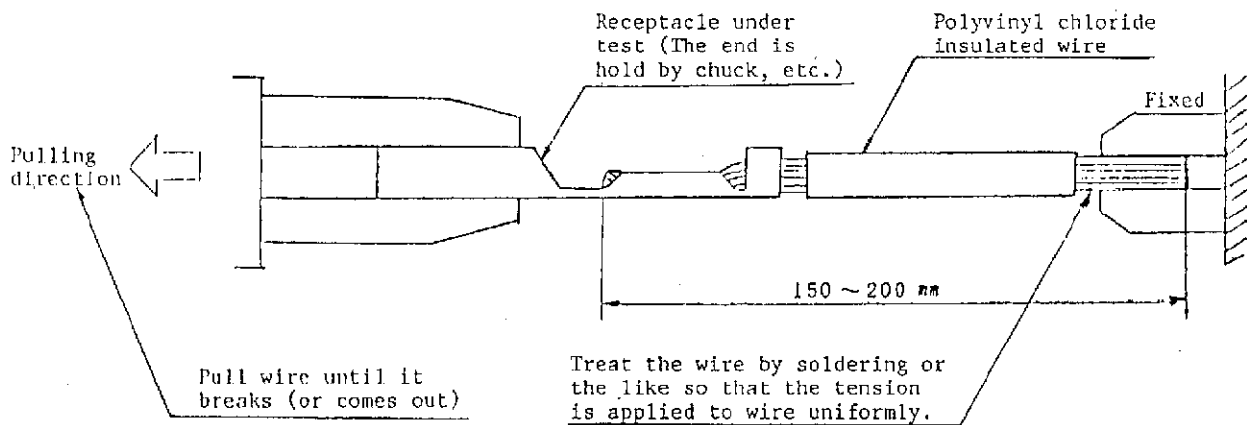
R_{AC} : Termination resistance + resistance of a 75 mm long wire

6.8 Tensile Strength Test

The tensile strength of wire crimping area shall be tested by the method as shown in Fig. 7. The pulling speed shall, as a rule, be 25 mm/min., and the tension shall be applied on the center of wire as possible.

SHEET		AMP		AMP (Japan), Ltd. TOKYO, JAPAN	
11 OF 17	LOG J	A	NO 108-5178	REV. C)	
NAME					
.110, .187 & .250 Series FASTON Terminals					

Fig. 7 Test Method of Tensile Strength



Remark: For testing terminals having insulation barrel, remove the wire insulation before crimping so that insulation crimp is not set in effect.

6.9 Insertion/Extraction Force Tests

- (1) The male tab having tighter dimensional tolerance is used for this test.
- (2) The test male tab shall be made of copper alloy specified as C2600 temper grade 1/2 H in JIS H 3100 or semi-hard brass equivalent to it, and the shape and dimensions shall comply with Table 1. Provided that, the tolerance on dimension C shall be as shown in the following, and projected part around detent shall be within the material thickness + 0.025 mm.

The test male tab shall not be plated.

Nominal dimension of tab	Dimension C
0.5 mm	0.500 to 0.516 mm
0.8 mm	0.805 to 0.820 mm

- (3) For testing receptacle, new test male tab shall be used. Either of "round hole" or "round dimple," as the shape of detent on male tab may be used. The insertion and extraction of male tab into and from receptacle shall be carried out for 6 times at a constant speed of approx. 25 to 50 mm/min.
- (4) For the measurement of insertion force and extraction force, a suitable testing device which ensures accurate alignment and also sure reading shall be used.

SHEET		AMP		AMP (Japan), Ltd. TOKYO, JAPAN	
12 OF 17	LOC J	A	NO 108-5178	REV. C1	
NAME					
.110,.187 & .250 Series FASTON Terminals					

6.10 Salt Spray Test

The salt spray test shall be carried out in accordance with JIS Z 2371. The salt spray shall be repeated for 3 times, each consisting of 8 hr. spray and 16 hr. rest with salt water of 5% concentration. Then the test specimens shall be removed from the tester, and be visually examined on the condition of plating.

7. INSPECTION

7.1 Type Inspection

Type inspection shall be carried out on the items shown in Table 9, and the specimens shall comply with provisions of Paras. 3. and 4., when tested in accordance with Para. 6.

Table 9 Items of Type Inspection and Applicable Test Items

Item	Applicable Test Item	Test Item and Sequence
(1) Appearance	6.2	-
(2) Dimensions	6.3	-
(3) Plating	6.4	-
(4) Crimp type connectivity	6.5	-
(5) Temperature rising	6.6	-
(6) Heat cycle	6.7	(1) Heat cycle test (2) Temperature test (3) Measurement of termination resistance
(7) Tensile strength	6.8	-
(8) Insertion/ extraction force	6.9	-
(9) Salt spray resistance	6.10	-

SHEET		AMP		AMP (Japan), Ltd. TOKYO, JAPAN	
13 OF 17	LOG	A	NO	108-5178	REV. C ₁
NAME					
.110, .187 & .250 Series FASTON Terminal					

7.2 Acceptance Inspection

Acceptance inspection shall be carried out on the following items, and the test specimens shall comply with provisions of Paras. 3. and 4., when tested in accordance with Para. 6.

- (1) Appearance
- (2) Dimensions
- (3) Crimp type connectivity
- (4) Insertion and extraction force

8. DESIGNATION

The products shall be designated by the name, Product Parts Number

9. MARKING

9.1 Marking on Product

Following information shall be marked on the product.

- (1) AMP Trademark

9.2 Marking on Packing

Following information shall be marked on the surface of product packing.

- (1) Name of the product (FASTON Terminal)
- (2) Product Parts Number
- (3) AMP Trademark
- (4) Date of manufacture or abbreviation

SHEET		AMP		AMP (Japan), Ltd. TOKYO, JAPAN	
14 OF 17	LOG	J A	NO	108-5178	REV. C1
NAME					
.110,.187 & .250 Series FASTON Terminal					

108-5178

NUMBER

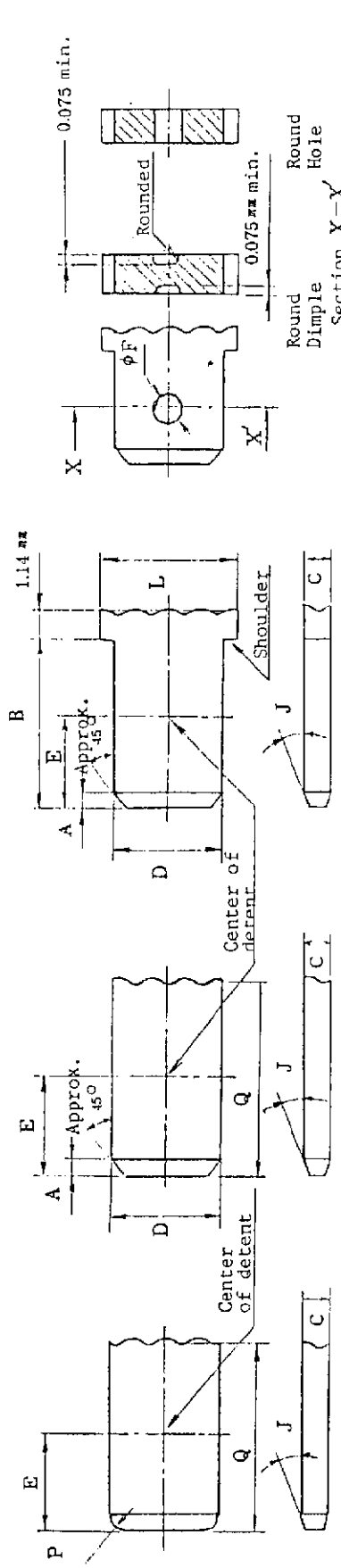
AMP SECURITY Customer
CLASSIFICATION Release

10. REFERENCE SPECIFICATIONS

- JIS C 2809 Flat Quick-connect Terminals
- JIS C 3306 Polyvinyl Chloride Insulated Cords for Electrical Appliances
- JIS B 7507 Vernier Callipers
- JIS H 3100 Copper and Copper Alloy Sheets, Plates, Strip and Coiled Sheets
- JIS H 3110 Phosphor Bronze and Nickel Silver Sheets, Plates and Strips
- JIS H 8619 Electroplated Coatings of Tin
- JIS Z 2343 Methods for Liquid Penetrant Testing and Classification of Indication
- JIS Z 2371 Method of Salt Spray Testing
- JIS Z 8703 Standard Atmospheric Conditions for Testing
- JIS Z 8704 Electrical Methods of Temperature Measurement
- AMP 100-5100 Brass Strips.
- AMP 100-5101 Phosphor Bronze Strips
- AMP 112-5000-3 Finish Specification (Electrodeposited Tin-Plating)
- AMP 114-5084 Application Specification, Crimping of Flat Quick-connect Terminals (FASTON Terminals) per JIS C 2809
- AMP 131-5000 Operation Standard (Stamping Operation)

SHEET		AMP		AMP (Japan), Ltd. TOKYO, JAPAN	
<u>15</u> OF <u>17</u>	LOC	NO	REV.		
	J A	108-5178	C1		
NAME					
.110, .187 & .250 Series FASTON Terminals					

Table 1 Male Tab



Unit: mm

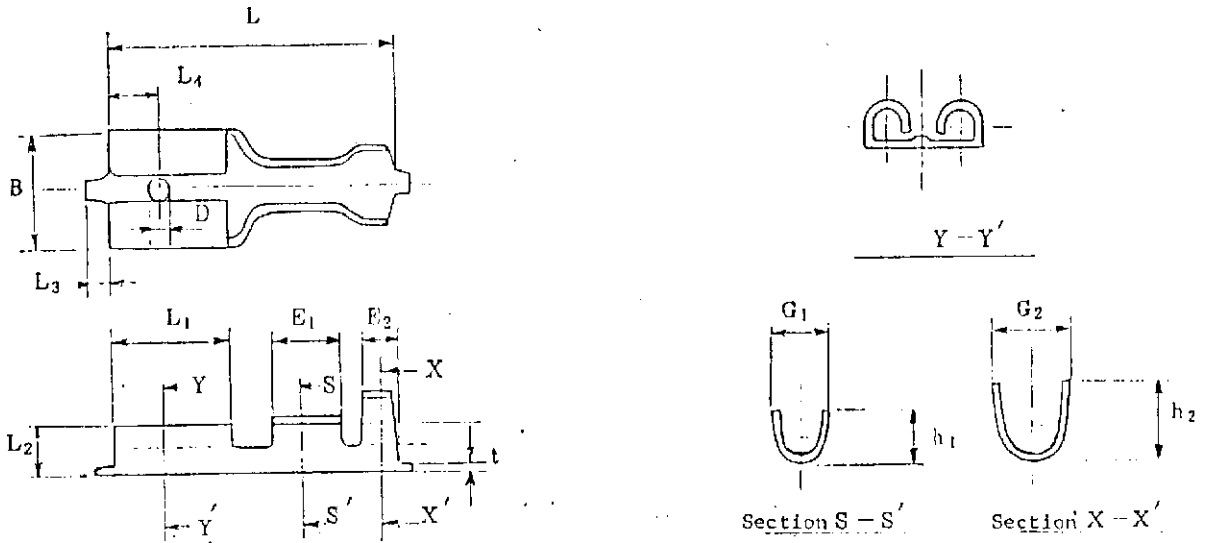
Series	Detent	A		B ⁽⁵⁾		C		D		E		F		J		P		Q	
		Min.	Max.	Min.	Max.	Nominal Thickness	Min.	Max.	Min.	Max.	Min.	Max.	Min.	Max.	Min.	Max.			
2.8 mm	Round hole	0.38	0.64	7.50 (6.98)		0.5	0.48	0.53	2.72	2.87	1.37	1.78	1.14	1.30	8°	12°	0.38	1.40	8.13
	Round dimple					0.5	0.48	0.53											
4.8 mm	Round hole	0.64	0.89	7.83 (6.22)		0.5	0.48	0.53			2.97	3.38					0.64	1.65	
	Round dimple	0.76	1.02		4.57	0.8	0.76	0.84	4.83	4.83	2.34	2.74	1.27	1.52	8°	12°	0.76	1.78	7.37
6.3 mm	Round hole	0.76	1.02	9.17 (7.80)		0.8	0.76	0.84	6.27	6.43	4.32	4.72	1.65	2.03	8°	12°	0.76	1.78	8.94
	Round dimple					0.8	0.76	0.84			3.66	4.06							

Note (5) In the case of practical application, dimension B may be the value given in parentheses or more, if the relation B - E (max.) > L4 is satisfied (as for L4 refer to Attached Table 2).

- Remarks: 1. Center of round hole or round dimple shall be within 0.076 mm from the center line of male tab.
- 2. Male tab shall be flat throughout and free from burr and swell. However, a slight protrusion from the material thickness up to 0.025 mm in one side is allowed at the periphery of detent within 1.3 mm.
- 3. Slant angle of approx. 45° at A may be not straight line but radius "r", if it is within contour shown in Fig.
- 4. Dimension "L" is not specified. Consequently, it may be varied according to the working condition.
- 5. Material shall be copper alloy specified as C2600 temper grade 1/2 H in JIS H 3100, or equivalent.

AMP (Japan), Ltd.
TOKYO, JAPAN

Table 2 Quick Connector



Unit: mm

Series	Range of cross-sectional area of applicable wire (6) mm ²	D	B	L	L ₁		L ₂	L ₃	L ₄	G ₁	G ₂	h ₁	h ₂	E ₁	E ₂	t
		Max.	Max.	Max.	Min.	Max.	Max.	Max.	Max.	Max.	Max.	Max.	Max.	Reference value	Reference value	Reference value
2.8 mm	(7) 0.2~0.5	1.22	3.81	18	5.99	6.60	2.29	0.51	5.72	2.6	4.7	2.6	4.2	3.2	2.0	0.25
	3.2									4.7	3.7	5.2				
4.8 mm	(7) 0.2~0.5	1.40	5.66	18	5.99	6.60	2.92	0.51	4.45	3.1	4.9	3.0	4.5	3.2	1.7	0.32
	3.5									5.3	4.0	5.4				
6.3 mm	0.3~0.75	1.60	7.77	25	7.54	8.05	3.51	0.51	4.45	3.5	5.1	3.5	5.3	3.7	2.0	0.40
	4.1									6.2	4.6	6.2	4.3			

Notes (6) The range of cross-sectional area of applicable wire shows usable cross-sectional area of wire for each series.

(7) 0.2 mm wires are specified in foreign standard (UL, etc.), and there is plenty of examples of application to this receptacle, therefore this size wire is included in the applicable wire size columns.

SHEET		AMP		AMP (Japan), Ltd. TOKYO, JAPAN	
17	OF 17	LOC	NO	REV.	
		J	A	108-5178	C1
NAME					
.110, .187 & .250 Series FASTON Terminals					

社 内 標 準

管理基準： 一般顧客用

(技 術 標 準)

日本エー・エム・ピー株式会社

Design Objectives

設計目標書 108-5178
 本製品は下記要件を満足するか否か未確認です。従って、本製品がこれら要件を満足することを保証するものではありません。また、これら要件は都合により変更する場合があります。詳細は、当社技術部にお問い合わせ下さい。

本書中に「本規格は」と引用している箇所はすべて「本設計目標書は」と読み換えて適用願います。

1. 適用範囲 .110, .187 及び .250 シリーズ・ファストン・リセブタクル
 .110, .187 & 250 Series FASTON Terminals

本規格は、.110, .187 及び .250 の各シリーズのファストン・リセブタクル（以下接続子という）について、日本工業規格 JIS-C-2809 に基づいて規定する。又、適用製品型番は下表に示す。

表 1

名称	記号及び形状	シリーズ	呼 び	断面積の適用電線範囲	適用型番	材 質
平形接続端子	FS (直線形)	2.8 mm (.110)	2.8B-0.5-5	0.2~0.5 mm ²	170043-2, 170048-2	黄 銅
			2.8P-0.5-5	0.2~0.5	170043-4, 170048-4	りん青銅
		4.8 mm (.187)	4.8B-0.5-5	0.2~0.5	170214-2, 170203-2	黄 銅
			4.8B-1.25-5	0.2~1.25	170037-2, 170038-2, 170037-5	黄 銅
		6.3 mm (.250)	4.8P-1.25-5	0.5~1.25	170037-4, 170038-4	りん青銅
			6.3B-0.75-8	0.3~0.75	170183-2, 170187-2	黄 銅
			6.3B-2.0-8	0.75~2.0	170213-2, 41274, 41729, 170213-5	黄 銅
			6.3P-0.75-8	0.3~0.75	170096-2, 170095-1	りん青銅
			6.3P-2.0-8	0.75~2.0	170213-3, 170083-2, 170084-2	りん青銅

本適用型番の圧着条件については取付適用規格 114-5084 を参照のこと。

2. 用語の意味

この規格で用いる主な用語の意味は次のとおりとする。

- (1) 平形接続端子
 工具を使用せずにたやすくメールタブを挿入及び引き抜くことのできるめす形の接続子。
- (2) メールタブ
 接続子に挿入する平形のおす端子。
- (3) 試験用メールタブ
 挿入引抜き力試験を行うために、特に狭い許容差で製作されたメールタブ。
- (4) 圧着部
 電線を工具によって圧着接続する接続子の部分。

C1	改訂 FJ00-1455-99	KS	10/10/83	作成:	分類:	設計目標書
C	改訂 F700-3219-95	MS	10/10/83	検閲:	コード:	改訂
B1	設計目標書			承認:	名称:	108-5178
B	改訂 RFA-752	SC	11/1/84			C1
A	改訂 RFA-735	SC	11/1/84			
O	作成 RFA-669	SC	11/1/83			
改訂	改訂記録	作成	検閲	承認	年月日	
配布	昭和	年	月	日	制定	13 頁中 1 頁

.110, .187 及び .250 シリーズ
 ファストン・リセブタクル

3. 記号, 呼び, 種類及び寸法

接続子の形状記号, 呼び及び種類は表 1 に示すとおりとし, 寸法は付表 2 に示す通りとする。

4. 性能

4.1 外観

6.2 によって試験を行ったとき, 接続子に傷, さび, 裂け目, ひび割れなど使用上の支障があつてはならない。また, 表示が容易に確認できなければならない。

4.2 寸法

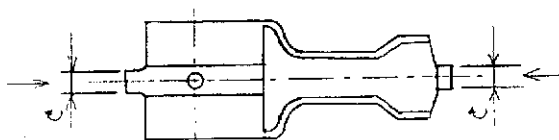
6.3 によって試験を行ったとき, 付表 2 に規定する各部の寸法に適合しなければならない。

4.3 めっき

6.4 によって試験を行ったとき, めっき厚さは JIS H 8619 (電気すずめっき) に規定する 1 級以上でなければならない。ただし, 連続打抜きによって生じる切断⁽²⁾は判定の対象としない。

注⁽²⁾: 切断面とは図 1 に示す矢印の方向から見た C の部分をいう。

図 1 接続子の切断面



4.4 圧着接続性

6.5 によって試験を行ったとき, 接続子に裂け目, ひび割れなど, 使用上の支障が生じず, 電線と十分密着する構造でなければならない。

4.5 温度上昇

6.6 によって試験を行ったとき, 圧着接続部の温度上昇値は 30℃以下でなければならない。

4.6 ヒートサイクル

6.7 によって試験を行ったとき, 24 サイクル目の通電時間の終りと 500 サイクル目の通電時間の終りの温度上昇値は 85℃以下であり, かつ接続子とメールタブの接触抵抗及び接続子と電線との圧着部分の電気抵抗の総合値は, 表 2 に示す値を超えてはならない。

分類:	標準の名称:	標準のコード:	改訂	2 頁
設計目標書	.110, .187 及び .250 シリーズ ファストン・リセプタクル	108-5178	C1	13頁中

表 2 圧着部分の電気抵抗の総合値

単位 $m\Omega$

シリーズ	サイクル	電線断面積				
		0.3 mm^2	0.5 mm^2	0.75 mm^2	1.25 mm^2	2.0 mm^2
2.8 mm (.110)	24	4.0	2.7	—	2.0	—
	500	6.0	3.5	—	2.5	—
4.8 mm (.187)	24	3.0	2.0	—	1.0	—
	500	4.0	2.5	—	1.2	—
6.3 mm (.250)	24	2.0	—	1.1	—	0.7
	500	2.7	—	1.6	—	0.9

4.7 引張強さ（圧着接続部）

6.8によって試験を行ったとき、接続子と電線との圧着接続部分から表3に示す値以下で電線の破断及び引き抜けがあってはならない。

表 3 圧着接続部の引張荷重値

単位 N (kg f)

シリーズ \ 電線断面積	0.3 mm^2	0.5 mm^2	0.75 mm^2	1.25 mm^2	2.0 mm^2
2.8 mm (.110)					
4.8 mm (.187)	49 [5]	78.4 [8]	147 [15]	196 [20]	274.4 [28]
6.3 mm (.250)					

4.8 挿入・引抜力

6.9によって試験を行ったとき、表4に示す値を満足しなければならない。

表 4 挿入・引抜力

単位 N (kg f)

シリーズ	初 回		6 回 目
	挿入力	引抜力	引抜力
2.8 mm (.110)	53 [5.4] 以下	9 [0.9] 以上	5 [0.5] 以上
4.8 mm (.187)	67 [6.8] 以下	13 [1.3] 以上	9 [0.9] 以上
6.3 mm (.250)	76 [7.8] 以下	13 [1.3] 以上	13 [1.3] 以上

4.9 耐塩水噴霧性能

6.10によって試験を行ったとき、接続子の地肌の露出、ピンホールの発生など、使用上で支障があると認められるような欠点を生じてはならない。但し、連続打抜きによって生じる切断面〔注²参照〕は判定の対象としない。

5. 材料及び加工方法

5.1 材 料

接続子の材料は、AMP 100-5100（黄銅）またはAMP 100-5101（りん青銅）に規定するものとする。

5.2 加工方法

AMP 131-5000（作業標準）により5.1項に規定する材料を打抜き、形作りしたものとす。

5.3 腐食防止処理

AMP 112-5000-3に規定する電気すずめつきを施すものとする。

また、メッキ厚については該当図面に規定する。

6. 試 験

6.1 試験条件

(1) 試験は特に指定のない限りJIS Z 8703（試験場所の標準状態）の常温（ $20 \pm 15^\circ\text{C}$ ）及び常湿（ $65 \pm 20\%$ ）の室内で行う。但し、6.6及び6.7は $15 \sim 35^\circ\text{C}$ の静穏な空気中に保持して行う。

(2) 試料は6.2、6.3、6.4、6.9及び6.10には電線を接続していない接続子単独のものを用いる。6.2～6.10の試料数は表5、6.5～6.8で使用する接続電線の断面積は表6に示すとおりとする。それぞれのビニル絶縁電線⁽³⁾は新しいものを用い、その接続導体の表面は磨かずに、接続子の寸法に適合した工具によって圧着接続したものを試料とする。

注⁽³⁾： JIS C 3306（ビニルコード）で規定するより線とする。

ただし断面積が 0.3mm^2 の電線は、附属書を参照のこと。

表5 試料数

単位：個

試験項目	試料数
(1) 外 観	10
(2) 寸 法	10
(3) め っ き	10
(4) 圧 着 接 続 性	10
(5) 温 度 上 昇	12
(6) ヒートサイクル	12
(7) 引 張 強 さ	10
(8) 挿入・引抜き力	10
(9) 耐塩水噴霧性能	10

表6 試験用接続電線の断面積

単位： mm^2

シリーズ	適用電線断面積の範囲	試験用電線断面積
2.8 mm (.110)	0.2～0.5	0.3, 0.5
	0.5～1.25	0.5, 1.25
4.8 mm (.187)	0.2～0.5	0.3, 0.5
	0.5～1.25	0.5, 1.25
6.3 mm (.250)	0.3～0.75	0.3, 0.75
	0.75～2.0	0.75, 2.0

分類：

設計目標書

標準の名称：

.110, .187及び.250シリーズ
ファストン・リセプタクル

標準のコード：

108-5178

改訂

C1

4 頁

13頁中

(3) 試験は新品のメールタブ及び接続子について行う。6.6及び6.7に使用するメールタブはJIS H 8619で規定する1級以上の電気すずめっきを施したものを使用する。いかなる場合でも、試験前に供試品を洗浄したり、又は他の方法で手を加えたりしてはならない。

(4) 接続子の圧着条件

取付適用規格 114-5084による。

6.2 外観試験

目視によって接続子に傷、さび、裂け目、ひび割れなどの使用上の支障があるかどうかまた、表示が容易に確認できるかどうかを調べる。

6.3 寸法試験

JIS B 7507（ノギス）に規定する1級精度のノギス又はそれと同等以上の精度の測定器及びその他の測定器を用い、適当な方法で各部の寸法を測定し、付表2の寸法に適合するかどうかを調べる。

6.4 めっき試験

JIS H 8619に規定する方法によって、接続子のメールとタブとのはめ合い部のめっき厚さ試験を行う。

6.5 圧着接続試験

圧着部を切断し、JIS Z 2343（浸透探傷試験方法及び欠陥指示模様の等級分類）で規定する蛍光浸透探傷試験方法によって試験するか又は10倍の拡大鏡を用いて目視によって裂け目、ひび割れなど使用上の支障がなく、電線と十分圧着しているかどうかを調べる。

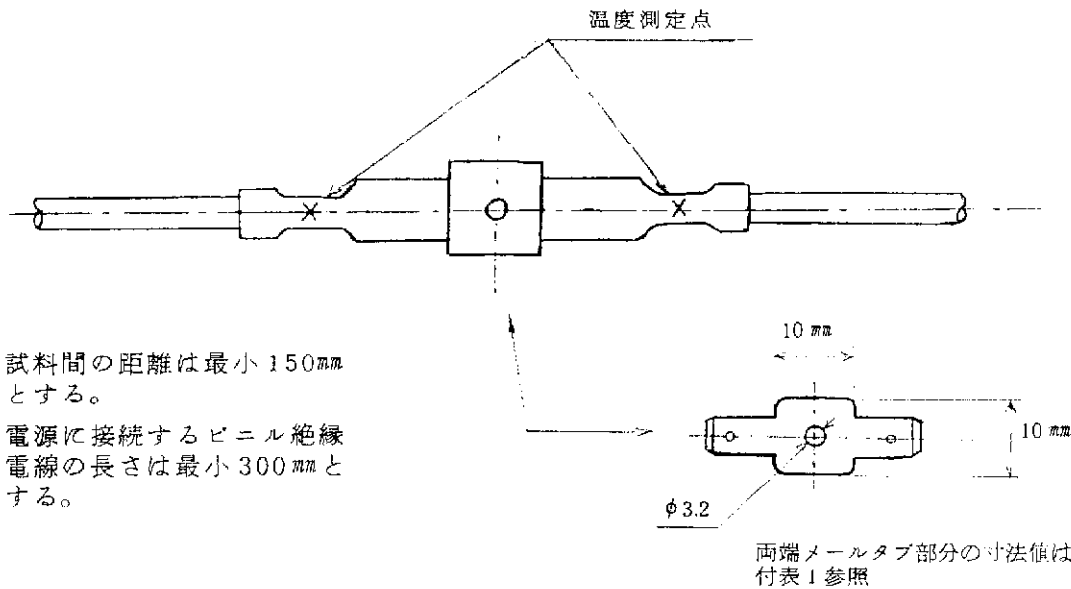
6.6 温度試験

次によって行う。

(1) 図2に示す方法によって、測定点の温度が一定^{A)}になるまで表7に示す温度試験電流（交流）を連続通電する。

注^{A)}： 一定の温度とは、10分間隔で3回測定して、0.5℃以上の差がなくなったときの温度をいう。

図 2 温度測定点



- 備考 1 試料間の距離は最小 150mm とする。
- 2 電源に接続するビニル絶縁電線の長さは最小 300mm とする。

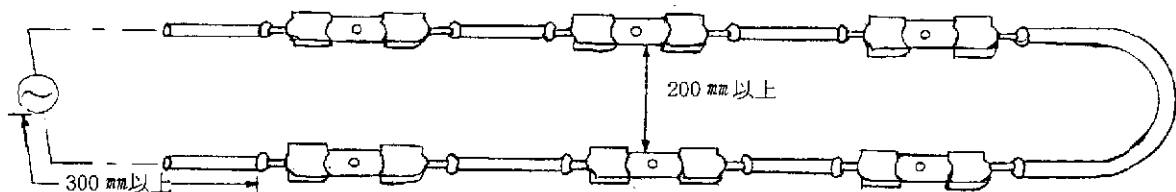
表 7 温度試験電流値

単位：A

電線断面積	0.3 mm ²	0.5 mm ²	0.75 mm ²	1.25 mm ²	2.0 mm ²
シリーズ					
2.8 mm (.110)	2.0	3.0	—	5.0	—
4.8 mm (.187)	2.5	4.0	—	10.0	—
6.3 mm (.250)	2.5	4.0	6.0	10.0	13.0

- (2) 温度試験に用いる試料は図 3 に示す様に接続し、温度の測定に影響のない方法で空中に水平に張り、壁から 300 mm 以上、天井から 600 mm 以上、相対する試料間の距離を、200 mm 以上とする。

図 3 温度試験用試料接続方法



- (3) 温度の測定は、JIS Z 8704 (温度の電気的測定方法)の熱電対を用いる方法のC級以上の測定方式により行い、図2に示す測定点の温度を測定する。尚、熱電対は素線の線径が0.2~0.3mmのものを用い、被測定物にはんだ付けなどによる方法で密着させる。

6.7 ヒートサイクル試験： 次によって行う。

- (1) 図4、図5及び図6に示す方法によって、表8に示すヒートサイクル試験電流(交流)を45分間通電、15分間休止するヒートサイクルを500サイクル行う。

表8 ヒートサイクル試験電流値

単位：A

電線断面積 シリーズ	0.3 mm ²	0.5 mm ²	0.75 mm ²	1.25 mm ²	2.0 mm ²
2.8 mm (.110)	4.0	6.0	-	10.0	-
4.8 mm (.187)	5.0	8.0	-	20.0	-
6.3 mm (.250)	5.0	8.0	12.0	20.0	26.0

- (2) 温度の測定は、JIS Z 8704で規定する熱電対を用いる方法のC級以上の測定方式によって行い、図6に示す測定点の温度を測定する。尚、熱電対は素線の線径が、0.2~0.3mmのものを用い、被測定物にはんだ付けなどによる方法で密着させる。
- (3) 電気抵抗の測定は図6に示す方法によって行い、ヒートサイクル試験電流(直流)を通じ、電圧降下法によって接続子とメールタブとの接触抵抗および接続子と電線との圧着部分の電気抵抗の総合値を測定する。試験は通風などの影響の少ない室内で通電後試料の温度がほぼ安定した後測定する。

図4 試料取付方法

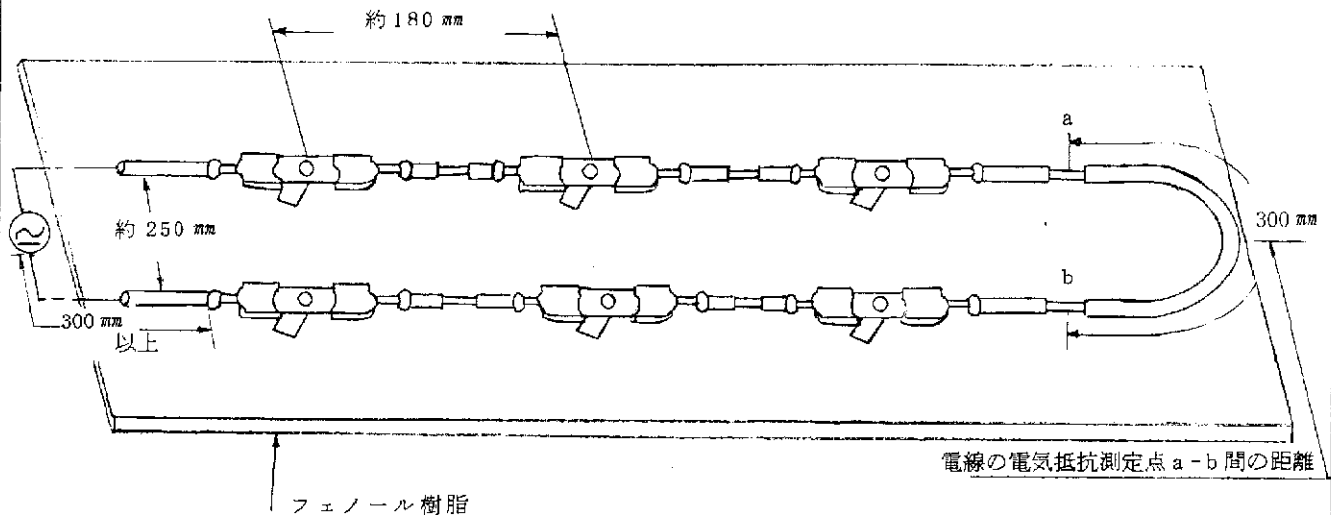


図 5 試料取付部拡大図

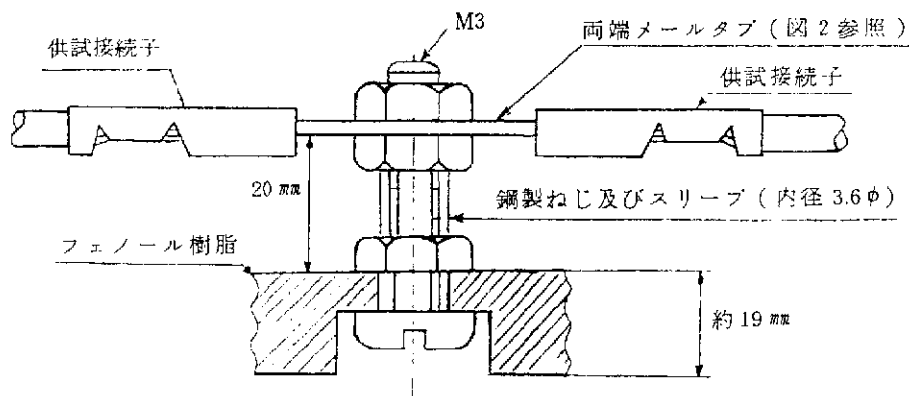
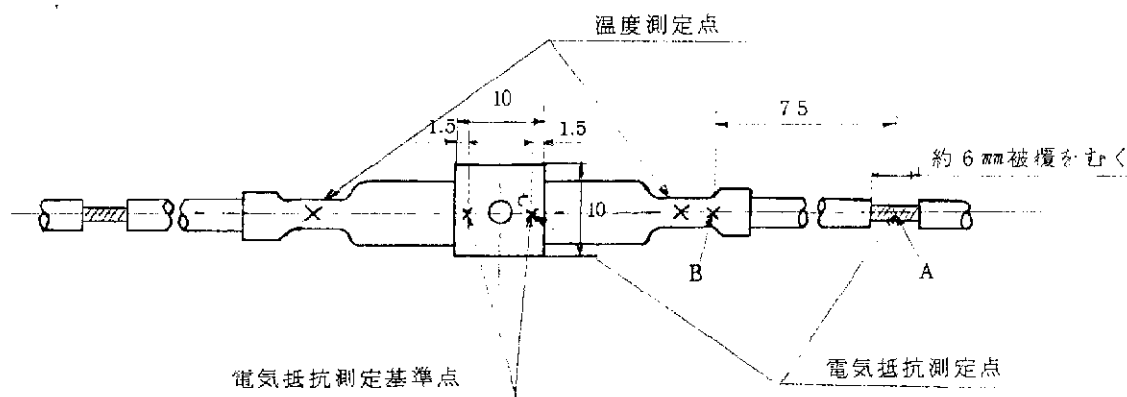


図 6 温度及び電気抵抗測定点



- 備考： 1. 電源に接続するビニル絶縁電線の長さは最小 300 mm とする。
 2. 電気抵抗は、次式によって求める。

$$R_{BC} = R_{AC} - R_{AB}$$

ここに、 R_{BC} ：総合抵抗（接続子とメーラタブとの接触抵抗+接続子と電線との圧着部分の電気抵抗）

R_{AB} ：長さ 75 mm の電線の電気抵抗は、図 4 に示す 300 mm の長さ（a-b間の長さ）について測定し、その値を電線が $\frac{1}{4}$ の場合（75 mm）に換算して求めた値とする。

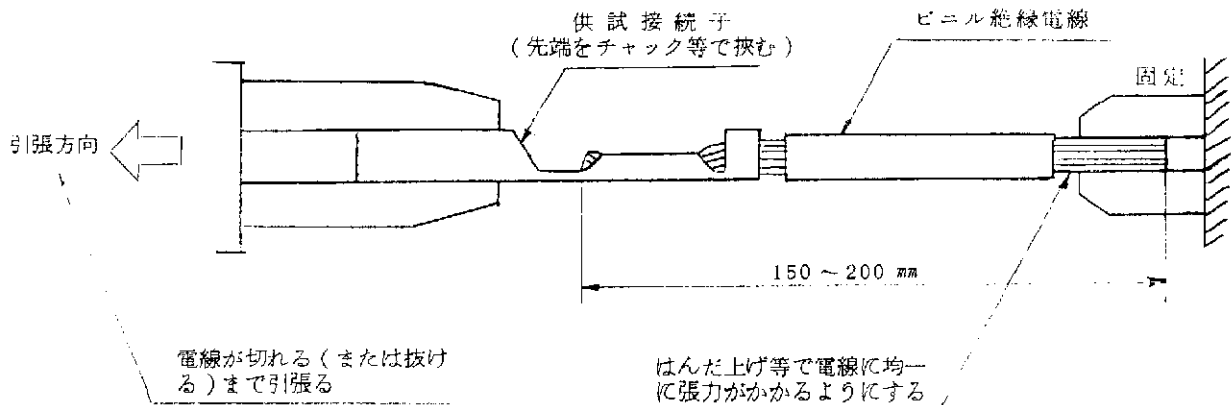
R_{AC} ：総合抵抗+長さ 75 mm の電線の抵抗

分類： 設計目標書	標準の名称： .110, .187 及び .250 シリーズ ファストン・リセプタクル	標準のコード： 108-5178	改訂 C	8 頁 13 頁中
--------------	---	---------------------	---------	--------------

6.8 引張強さ試験

図7に示す方法によって、電線圧着部の引張強さを調べる。引張速度は原則として、 25 mm/分 とし、張力はなるべく電線の中心にかゝるようにする。

図7 引張強さ試験方法



備考： 電線の絶縁被覆を圧着する構造をもった端子はそれを作用させないように被覆を除去して圧着する。

6.9 挿入・引抜き試験

- (1) メールタブは、この試験のために特に狭い範囲の許容差で製作された試験用メールタブを使用する。
- (2) 試験用メールタブは、JIS H 3100で規定するC2600質別 $\frac{1}{2}$ H又はこれと同等の半硬質黄銅で作製し、形状及び寸法は付表1に適合しなければならない。ただし、C寸法の許容差は下記に示すとおりとし、戻り止めの周囲の突起は、材料厚さ $+0.025\text{ mm}$ 以内であること。

試験用メールタブはめっきなしとする。

タブ呼び寸法	C寸法
0.5 mm	0.500 mm ~ 0.516 mm
0.8 mm	0.805 mm ~ 0.820 mm

- (3) 被試験品の接続子には新しい試験用メールタブを使用するものとする。メールタブの戻り止めの形状は“丸穴”又は“丸形ディンプル”のどちらのものでも使用できる。メールタブと接続子の挿入引抜きは、約 $25\sim 50\text{ mm/分}$ の一定の速度で6回行う。
- (4) 挿入力及び引抜き力の測定には正確な心合せができ、また確実に読み取れる適切な試験装置を用いて行う。

分類：

設計目標書

標準の名称：

.110, .187及び.250シリーズ
ファストン・リセブタクル

標準のコード：

108-5178

改訂

C1

9頁

13頁中

6.10 塩水噴霧試験

JIS Z 2371 (塩水噴霧試験方法) によって行う。塩水噴霧は5%の塩水濃度で8時間噴霧, 16時間休止を3回繰り返したのち, 試験品を試験器内から取り出しめっきの状態を目視で調べる。

7. 検 査

7.1 形式検査

表9に示す項目について, 6.によって試験を行ったとき, 3.及び4.に適合しなければならない。

表9 形式検査項目とその適用試験項目

項 目	適用試験項目	試験項目及び順序
(1) 外 観	6. 2	-
(2) 寸 法	6. 3	-
(3) め っ き	6. 4	-
(4) 圧着接続性	6. 5	-
(5) 温 度 上 昇	6. 6	-
(6) ヒートサイクル	6. 7	(1) ヒートサイクル試験
		(2) 温 度 試 験
		(3) 電 気 抵 抗 測 定
(7) 引 張 強 さ	6. 8	-
(8) 挿入・引抜力	6. 9	-
(9) 耐塩水噴霧性	6. 10	-

7.2 受渡検査

次の検査項目について, 6.によって試験を行ったとき, 3.及び4.に適合しなければならない。

- (1) 外 観
- (2) 寸 法
- (3) 圧着接続性
- (4) 挿入・引抜力

分類： 設計目標書	標準の名称： .110, .187及び.250シリーズ ファストン・リセブタクル	標準のコード： 108-5178	改訂 C1	10 頁 13 頁中
--------------	--	---------------------	----------	---------------

8. 製品の呼び方

製品の呼び方は、名称、製品型番による。

9. 表 示

9.1 製品表示

製品に次の事項を表示する。

- (1) AMP マーク

9.2 包装表示

製品包装表面に次の事項を表示する。

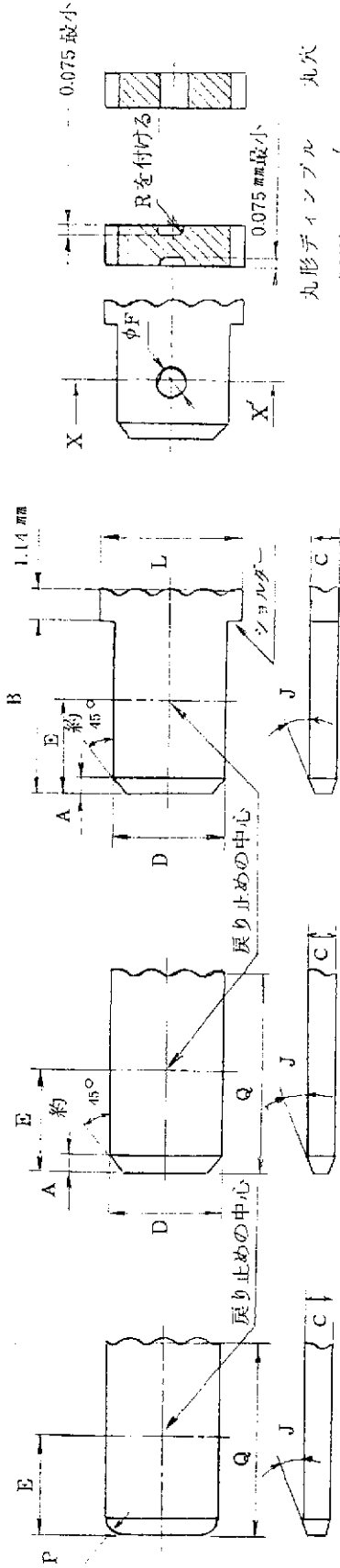
- (1) 製品名称
 (2) 製品型番
 (3) AMP マーク
 (4) 製造年月日又は略号

10. 引用規格

JIS C 3306	ビニルコード
JIS B 7507	ノギス
JIS H 3100	銅及び銅合金の板及び条
JIS H 3110	りん青銅及び洋白の板及び条
JIS H 8619	電気すずめっき
JIS Z 2343	浸透探傷試験方法及び欠陥指示模様の等級分類
JIS Z 2371	塩水噴霧試験方法
JIS Z 8703	試験場所の標準状態
JIS Z 8704	温度の電氣的測定方法
AMP 100-5100	黄銅条
AMP 100-5101	りん青銅条
AMP 112-5000-3	仕上規格(すずめっき)
AMP 114-5084	取付適用規格
AMP 131-5000	作業標準(プレス作業)
AMP 107-5312	AMターミナルJIS規格認定製品の包装規格

分類： 設計目標書	標準の名称： .110.187及び.250シリーズ ファストン・リセプタクル	標準のコード： 108-5178	改訂 C1	11頁 13頁中
--------------	--	---------------------	----------	-------------

付表1 メートルタブ



断面 X-X' 丸穴

単位：mm

シリーズ	戻り止め	A		B ⁽⁵⁾		C		D		E		F		J		P		Q			
		最小	最大	最小	最大	最小	最大	最小	最大	最小	最大	最小	最大	最小	最大	最小	最大	最小	最大		
2.8 mm	丸穴		0.38	0.64	7.50 (6.98)	0.5	0.48	0.53	2.72	2.87	1.37	1.78	1.14	1.30	8°	12°	0.38	1.40	8.13		
						0.8	0.76	0.84													
						0.5	0.48	0.53													
4.8 mm	丸穴		0.64	0.89		0.5	0.48	0.53	4.67	4.83	2.97	3.38					0.64	1.65			
			0.76	1.02	7.83 (6.22)	0.8	0.76	0.84					1.27	1.52	8°	12°	0.76	1.78	7.37		
			0.64	0.89		0.5	0.48	0.53				2.34	2.74					0.64	1.65		
6.3 mm	丸穴		0.76	1.02		0.8	0.76	0.84			4.32	4.72					0.76	1.78			
			0.76	1.02	9.17 (7.80)	0.8	0.76	0.84	6.27	6.43	3.66	4.06	1.65	2.03	8°	12°	0.76	1.78	8.94		
			0.76	1.02		0.8	0.76	0.84													

注⁽⁵⁾ B寸法値は、 $B - E$ (最大) $> L_1$ の関係を満足すれば実際の適用に当たって括弧で示した値以上であってよい (L₁は付表2参照)。

備考 1. 丸穴及び丸形ディンプルの中心はメートルタブの中心線に対し、0.075 mm以内にあること。

2. メートルタブはすべてにわたって平たん度、バリや盛り上がりなどあってはならない。ただし、戻り止めの周囲1.3 mm以内では材料厚さを超え、片側0.025 mmまでの盛り上がり許容する。

3. 斜角A × 45°は図示の外郭部以内であれば直線ではなく、半径"P"でもよい。

4. 寸法"L"は規定しない。したがって使用条件によって変えてもよい。

5. 材料はJIS H 3100に規定する種類C2600質別1/2 H又はこれと同等以上とする。

分類：

設計田徳博

標準の名称：

.110, .187及び.250シリーズ
ファースト・リセプタクル

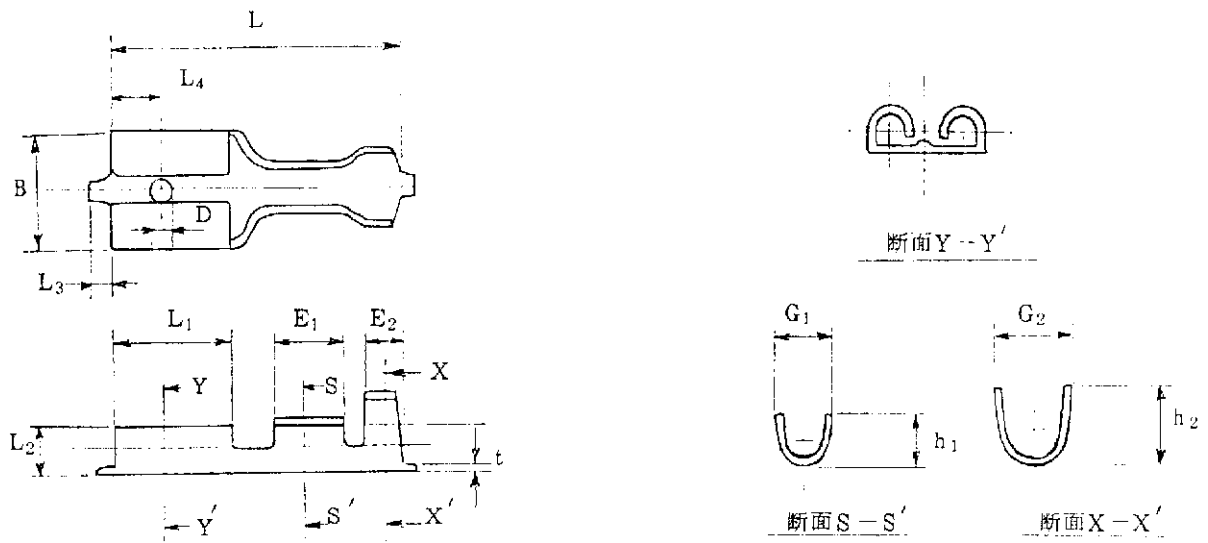
標準のコード：

108-5178

改訂

12頁
C | 13頁中

付表2 接続子



単位：mm

シリーズ	適用電線 断面積の範囲 (6) mm ²	D	B	L	L ₁		L ₂	L ₃	L ₄	G ₁	G ₂	h ₁	h ₂	E ₁	E ₂	t
		最大	最大	最大	最小	最大	最大	最大	最大	最大	最大	最大	最大	最大	参考値	参考値
2.8mm	(7) 0.2~0.5	1.22	3.81	18	5.99	6.60	2.29	0.51	5.72	2.6	4.7	2.6	4.2	3.2	2.0	0.25
	3.2									4.7	3.7	5.2				
4.8mm	(7) 0.2~0.5	1.40	5.66	18	5.99	6.60	2.92	0.51	4.45	3.1	4.9	3.0	4.5	3.2	1.7	0.32
	3.5									5.3	4.0	5.4				
6.3mm	0.3~0.75	1.60	7.77	25	7.54	8.05	3.51	0.51	4.45	3.5	5.1	3.5	5.3	3.7	2.0	0.40
	4.1									6.2	4.6	6.2	4.3			

注(6) 適用電線断面積の範囲は、各シリーズごとの使用可能な電線断面積を示した。

(7) 断面積 0.2 mm²の電線は外国規格 (UL等) で規定されており、この接続子への使用例が多いので適用電線範囲に含めて規定した。

分類：設計目標書

標準の名称：
.110, .187及び.250シリーズ
ファストン・リセブタクル

標準のコード：
108-5178

改訂
C1 13頁中