

108-5130
Rev. H1
Product Specification
(製品規格)
AMP Mass-Termination “EI” Series Connector
(マスタ-ミネ-ション EI シ-ズ・コネクタ)

Following first 11 pages are English version and last 8 pages are Japanese version.
This top sheet is not part of the specification but explains both of English and Japanese
versions are available.

このトップシートに続く最初の 11 ページは英語版で、その後の 8 ページは日本語版です。
このトップシートは、規格には含まれませんが、英語、日本語両方があることを説明して
います。

DESIGN OBJECTIVES

The product described in this document has not been fully tested to ensure conformance to the requirements outlined below. Therefore, AMP (Japan), Ltd makes no representation or warranty, express or implied, that the product will comply with these requirements. Further, AMP (Japan), Ltd. may change these requirements based on the results of additional testing and evaluation. Contact AMP Engineering for further details.

In case when "product specification" is referred to in this document, it should be read as "design objectives" for all times as applicable.

NUMBER 108-5130
 Customer Release
 AMP SECURITY CLASSIFICATION

1. Scope:

This product specification covers requirements for product performance and test methods for AMP Mass-termination "EI" Series Connector including wire-to-wire connections in combination with the "EI" series (crimp-style).

(Note) Specifications and performance for the "EI" series (crimp-style) shall be in accordance with product specification 108-5118.

2. Product Descriptions:


AMP M.T.E.I. Connector has been designed to provide a wire-to-board termination at 2.5mm center line spacings by means of AMP Wire Displacement Technique that enables to facilitate connector assembly processing.

Suitable combination of application type can be selected from a series of connectors, consisting of from 2 to 20-position housings in both vertical and horizontal connector types. All these "MEIS" Connectors are interchangeable with AMP* "EI" Series Connectors.

3. Product Design, Feature, Construction and Dimensions:

A connector assembly comprises a receptacle housing assembly in which contacts are readily loaded, and a post header assembly of either horizontal or vertical type having 0.64mm square posts readily inserted, therein. Product design feature, construction and dimensions shall be conforming to the applicable customer product drawing(s). The materials used and surface finishing must be conforming to the applicable drawing(s).

- (1) Receptacle Contact Material: Phosphor Bronze, pretinned, 0.8µm min.
- (2) Post Material: Brass Square Wire, pretinned 0.8µm min. thick tin over 0.5µm min. thick copper underplate
- (3) Receptacle Housing Material: 6/6 Nylon, conforming to UL 94V-0
 Post Housing

PRINT DIST	H1	Design Objectives	RFA 1695	JF	SK	4/22/88	DR			AMP (Japan), Ltd TOKYO, JAPAN		
	H	REVISED RFA 1695		JF	SK	4/22/88	CHR	S. Kobayashi		LOC	J A	
	G	Revised RFA-1535		JF	SK	4/22/88	APP	M. Kimura		108-5130	REV. H1	
	F	REVISED RFA 1271		SK	SK	4/22/88	SHEET		NAME		Design Objectives AMP Mass-	
	LTR	REVISION RECORD		DR	CHK	DATE	1 OF 11		Termination "EI" Series Connector			

NUMBER 108-5130
 Customer Release
 AMP SECURITY CLASSIFICATION

4. Applicable Wire Sizes:

The wires of the following sizes and composition shall be used for terminating "MEIS" Connector.

Wire Size mm ² (AWG)	Insulation Diameter (mm)	Insulation Material	Conductor Mat'l & Finish
0.3 - 0.35 (#22)	1.1 - 1.5	PVC	Tin-Fused Stranded Copper Wire Tin-Plated Solid Copper Wire Tin-Plated 7-Stranded Copper Wire
0.2 - 0.22 (#24)	1.1 - 1.5	PVC	
0.12 - 0.15 (#26)	1.1 - 1.5	PVC	
0.08 - 0.09 (#28)	1.1 - 1.5	PVC	

For application of the wires other than those specified, consult AMP Japan engineering to evaluate applicability of the wires you are to use.

5. Performance Rating:

5.1 Voltage Rating: 250V AC or 350V DC

5.2 Current Rating: 3.5 A for AWG #22 Wire
 3.0 A for AWG #24 Wire
 2.5 A for AWG #26 Wire
 2.0 A for AWG #28 Wire

5.3 Temperature Rating: -20°C - +95°C
 Maximum operating temperature includes temperature rising by energized load and ambient temperature effect. In any case, upper limit of rated temperature must not be exceeded.

6. Quality Assurance Provisions:

6.1 Test Conditions:

Unless otherwise specified, all the test must be performed under any combination of the following test conditions.

Temperature 15 - 35°C

Relative Humidity: 45 - 75%


Atmospheric Pressure: 8.7X10⁴~1.07X10⁵ Pa
 (650~800mmHg)

6.2 Test Specimens:

6.2.1 All the specimens employed for the tests, shall be conforming to the applicable product drawing(s), and prepared in accordance with the specified terminating procedure.

6.2.2 All the samples shall be terminated by using the wires of tin-fused copper stranded, tin-plated solid copper and 7-strand tin-plated conductor by using AMP specified application tooling.

6.2.3 No sample shall be resued, unless otherwise specified.

SHEET			AMP (Japan), Ltd TOKYO, JAPAN
<u>2</u> OF <u>11</u>	LOC J	A	108-5130
NAME	Design Objectives AMP Mass-Termination "EI" Series Connector		
			REV. 11

108-5130

NUMBER:

Customer
ReleaseSECURITY
CLASSIFICATION:

7. Performance Requirements :

Test Items and Paragraph Number	Performance Requirements	Test Method
Appearance Inspection (Para. 7.1)	No cracks, blister, damages and discoloration that are detrimental to connector functions, shall be evident.	Perform visual and tactile inspection in accordance with applicable Q.I.P. (Quality Inspection Procedure)
Low Level Termination Resistance (Para. 7.2)	10 mΩ Max. Initial 20 mΩ Max. Final (After environmental conditioning)	Apply test current of 50 mA maximum at 50 mV DC maximum to the test circuit connected as shown in Fig. 2. Measurement shall be done by millivolt drop method. Termination resistance is calculated after deducting resistance of terminated wires.
Insulation Resistance (Para. 7.3)	500 MΩ Min.	Measure insulation resistance between the adjacent contacts and between the contacts and the ground in connector assembly applying test potential of 500 V DC in accordance with Test Condition B, Test Method 302 of MIL-STD-202.
Dielectric Strength (Para. 7.4)	No abnormalities such as corona, flashover and insulation breakdown shall be evident when tested by applying test potential of 1 kV AC, and held for 1 minute.	Test dielectric strength between the adjacent contacts and between the contacts and the ground in connector assembly by applying test potential of 1 kV AC in accordance with Test Method 301 of MIL-STD-202.
Contact Retention Force (Para. 7.5)	9.8 N (1 kgf) min. per contact position.	Apply an axial pull off load to contact which is accommodated in receptacle housing assembly, by operating the head to travel with the speed at a rate of 100 mm a minute. Contact retention force is determined when the contact is dislodged.
Contact Insertion/Extraction Force (Para. 7.6)	Insertion Force (Initial) 3.92 N (400 gf) Max. Extraction Force (Initial) 0.44 N (45 gf) Min. (25 th. Cycle) 0.44 N (45 gf) Min.	Fasten receptacle connector housing onto the head of tensile testing machine with its corresponding counter-part post header set aligned to mate and unmate with the housing with locking device set in effect. Apply an axial push-in/pull-off load by operating the head to travel with the speed at a rate of 100 mm a minute. Measure initial insertion/extraction and 25th. extraction force.

SHEET

AMPAMP (Japan), Ltd.
Kawasaki, Japan

3 OF 11

LOC
JLOC
A

NO.

108-5130

REV.
H₁


NAME

Design Objectives
AMP Mass-Termination
"EI" Series Connector

AMP SECURITY CLASSIFICATION
 Customer Release
 NUMBER 108-5130


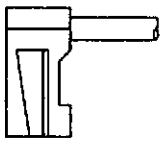
7. Performance Requirements:

Test Items and Paragraph Number	Performance Requirements			Test Method
a. (Wire-to-board) Connector Insertion/Extraction Force (Para. 7.7)	No. of Pos.	Insertion Force (Max.) (Initial)	Extraction Force (Min.) (Initial & 25th.)	Fasten receptacle connector housing onto the head of tensile testing machine with its corresponding counterpart post header set aligned to mate and unmate with the housing with locking device set in effect. Apply an axial push-in/pull off load by operating the head to travel with the speed at a rate of 100mm a minute. Measure initial insertion/extraction and 25th. extraction force.
	2-5	39.3N (4Kgf)	9.8N (1Kgf)	
	6-10	78.4N (8Kgf)	14.7N (1.5Kgf)	
	12,14,16	107.8N (11Kgf)	24.5N (2.5Kgf)	
	18,20	117.6N (12Kgf)	29.4N (3Kgf)	
b. (Wire-to-wire) Connector Insertion/Extraction Force (Para. 7.7)	No. of Pos.	Insertion Force (Max.) (Initial & 10th)	Extraction Force (Min.) (Initial & 10th.)	Fasten receptacle connector housing onto the head of tensile testing machine with its corresponding counterpart EI side cap connector set aligned to mate and unmate with the housing. Apply push-in/pull-off load by operating the head to travel with the speed at a rate of 100 mm a minute. Measure initial and 10th insertion/extraction forces.
	2,3	19.6N (2Kgf)	4.9N (0.5Kgf)	
	4	29.4N (3Kgf)	6.9N (0.7Kgf)	
	5,6	39.2N (4Kgf)	9.8N (1Kgf)	
	8,10,12	49N (5Kgf)	14.7N (1.5Kgf)	
Durability (Repeated Insertion/Extraction) (Para. 7.8)	Low level termination resistance after conditioning: 10mΩ max.			By using tensile testing machine, repeat insertion and extraction of connector housing and post header for 25 cycles at a rate not exceeding 10 cycles a minute with the head operated to travel in normal testing speed.

SHEET			AMP (Japan), Ltd TOKYO, JAPAN	
4 OF 11	LOC	J	A	108-5130
NAME	Design Objectives AMP Mass-Termination "EI" Series Connector			
				REV. 11

NUMBER 108-5130
 Customer Release
 AMP SECURITY CLASSIFICATION

7. Performance Requirements:

Test Items and Paragraph Number	Performance Requirements	Test Method															
Wire Retention Force (Axial Pull-off Load) (Lateral pull-off Load) (Para. 7.9)	To withstand axial load:																
	AWG #22 Wire	44.1N (4.5Kgf) Min.															
	AWG #24 Wire	34.3N (3.5Kgf) Min.															
	AWG #26 Wire	24.5N (2.5Kgf) Min.															
	AWG #28 Wire	14.7N (1.5Kgf) Min.															
	To withstand lateral load:																
	AWG #22 Wire (O.D. 1.3φ Min.)	19.6N (2Kgf) Min.															
	AWG #24 Wire (O.D. 1.3φ Min.)	19.6N (2Kgf) Min.															
AWG #26 Wire (O.D. 1.2φ Min.)	14.7N (1.5Kgf) Min.																
AWG #28 Wire (O.D. 1.1φ Min.)	9.8N (1Kgf) Min.																
		Wire terminated receptacle connector housing is tested by using tensile testing machine. Fasten on the head and apply a pull-off load to wire end in either direction of parallel or lateral to wire axis by operating the head to travel with the speed at a rate of 100mm a minute, until the wire is broken or dislodged from the contact slot. Axial Direction Lateral Direction  															
		Lateral pull-off load covers only for the wires tested. For other wires, apply 9.8N min. commonly. (1Kgf)															
Vibration (Low Frequency) (Para. 7.10)	No electrical discontinuity greater than 1 microsecond shall occur during the test. After vibration, termination resistance shall not exceed 20mΩ.	Post-header-mated receptacle connector housing shall be fastened on vibration test plate, and apply vibration having amplitude of 1.5mm max both sides in sweeping frequencies to reciprocate between 10 and 55 Hz. changing one cycle a minute for 2 hours each plane, 6 hours in total.															
Temperature Rising (Para. 7.11)	Temperature rising by the effect of energized heat, shall not exceed 30 degs. (°C).	PC board-mounted and mated pair of receptacle housing and its corresponding counterpart post header are tested with all the contacts series wired, and applied with the test current of the following intensity. Measurement must be done after temperature rising of circuit becomes stabilized, by using thermocouple.															
		<table border="1"> <thead> <tr> <th>Test Current (Amperes)</th> <th>Wire Size (mm)</th> <th>Wire Size (AWG)</th> </tr> </thead> <tbody> <tr> <td>3.5</td> <td>0.3</td> <td>(#22)</td> </tr> <tr> <td>3.0</td> <td>0.2</td> <td>(#24)</td> </tr> <tr> <td>2.5</td> <td>0.13</td> <td>(#26)</td> </tr> <tr> <td>2.0</td> <td>0.08</td> <td>(#28)</td> </tr> </tbody> </table>	Test Current (Amperes)	Wire Size (mm)	Wire Size (AWG)	3.5	0.3	(#22)	3.0	0.2	(#24)	2.5	0.13	(#26)	2.0	0.08	(#28)
Test Current (Amperes)	Wire Size (mm)	Wire Size (AWG)															
3.5	0.3	(#22)															
3.0	0.2	(#24)															
2.5	0.13	(#26)															
2.0	0.08	(#28)															

SHEET



AMP (Japan), Ltd
TOKYO, JAPAN

5 OF 11

LOC J A	108-5130	REV. 11
------------	----------	------------

NAME Design Objectives
AMP Mass-Termination
"EI" Series Connector

7. Performance Requirements :

Test Items and Paragraph Number	Performance Requirements	Test Method
Humidity Cycling (Para. 7.12)	After test conditioning, Low level termination resistance shall not exceed 20 mΩ, and insulation resistance shall be not less than 500 MΩ.	PC board-mounted and mated pair of receptacle housing and its corresponding counterpart post header are tested by exposing under relative humidity of 80~98 % at the temperature changing between -10 and +65 °C for 10 cycles, in accordance with Test Method 106 of MIL-STD-202 except Step 7b. After exposure, the sample must be reconditioned in room temperature for 1 hour before testing.
Thermal Shock : (Para. 7.13)	After conditioning, low level termination resistance shall not exceed 20 mΩ.	PC board-mounted and mated pair of receptacle housing and its corresponding counterpart post header are tested by exposing under 25 cycles of thermal effect each cycle changing as shown below, in accordance with Test Condition A-1, Test Method 107 of MIL-STD-202. After thermal conditioning, sample must be reconditioned in room temperature for 1 hour. 1 cycle consisting of : -55 °C for 30 minutes and +85 °C for 30 minutes.
Salt Spray (Para. 7.14)	After conditioning, low level termination resistance shall not exceed 20 mΩ.	PC board-mounted and mated pair of receptacle housing and its corresponding counterpart post header are exposed under salt spray (5 % concentration) for 48 hours at 35 °C in accordance with Test condition B, Test Method 101 of MIL-STD-202. After exposure, the sample must be rinsed in tap water and dried to recondition for 1 hour in room temperature.
Post Retention Force (Para. 7.15)	19.6 N (2 kgf) minimum per contact.	Assembled post header is tested in the manner that it is securely placed on test fixture, and press down load is applied onto top of post as shown in Fig. 3. Post retention force is determined when the post is dislodged from housing.

108-5130

NUMBER :

Customer Release

SECURITY CLASSIFICATION :

SHEET

AMPAMP (Japan), Ltd.
Kawasaki, Japan

6 OF 11

LOC

LOC

NO.

108-5130

REV.

H₁

NAME

Design Objectives


AMP Mass-Termination
"EI" Series Connector

NUMBER 108-5130
 Customer Release
 AMP SECURITY CLASSIFICATION

7. Performance Requirements:

Test Items and Paragraph Number	Performance Requirements	Test Method
Post Solderability: (Para. 7.16)	More than 95% of tested area of post contact shall be covered with fresh, smooth and uniformly covering sufficient solder.	Immerse soldering area of post contacts of post header into flux (ALPHA 100, GX-5, GX-7 are recommended) for 5-10 seconds. Then, immerse in solder tub containing 60% tin, 40% lead solder, controlled to maintain at $230 \pm 5^{\circ}\text{C}$, for 3-10 seconds, and inspect for workmanship.
Soldering Heat Resistibility: (Para. 7.17)	No defective damage and deformation, that are detrimental to connector functions, shall be evident after conditioning.	With post header assembled on PC board, test sample shall be processed over soldering tub which is controlled at $260 \pm 5^{\circ}\text{C}$, to pass through within 10 ± 0.5 seconds. (Manual Soldering) In case of manual soldering, test the sample post header assembled on PCB, by applying soldering iron controlled at $350 \pm 10^{\circ}\text{C}$ for 1 to 2 seconds. In this testing, soldering spot of the post shall remain free from the pressure by the applied soldering iron.


Fig. 2 (End)

SHEET			AMP (Japan), Ltd TOKYO, JAPAN
<u>7</u> OF <u>11</u>	LOC J	A	108-5130
NAME	Design Objectives AMP Mass-Termination "EI" Series Connector		
			REV. H 1

8. Test Procedure:
All the tests shall be performed in accordance with the test procedure by using the test samples of the groups specified in the sequence as listed in Table 2.

Para-graph No.	Test Items	Sample Group										
		1	2	3	4	5	6	7	8	9	10	11
7.1	Appearance Confirmation of Product	1,9	1,7	1,5	1,3	1	1	1	1	1	1,3	1
7.2	Low Level Termination Resistance	2,4,6	2,4,6	2,4								
7.3	Insulation Resistance	7										
7.4	Dielectric Strength	8										
7.5	Contact Retention Force							2				
7.6	Contact Insertion Extraction Force											2
7.7	Connector Insertion Extraction Force					2						2
7.8	Durability	3										
7.9	Wire Retention Force						2					
7.10	Vibration (Low Frequency)		3									
7.11	Temperature Rising				2							
7.12	Humidity (Cycling)	5										
7.13	Thermal Shock			3								
7.14	Salt Spray		5									
7.15	Post Retention Force								2			
7.16	Solderability									2		
7.17	Soldering Heat Resistibility										2	

Table 2

SHEET			AMP (Japan), Ltd TOKYO, JAPAN	
<u>8</u> OF <u>11</u>	LOC J	A	108-5130	REV II
NAME	Design Objectives AMP Mass-Termination "EI" Series Connector			

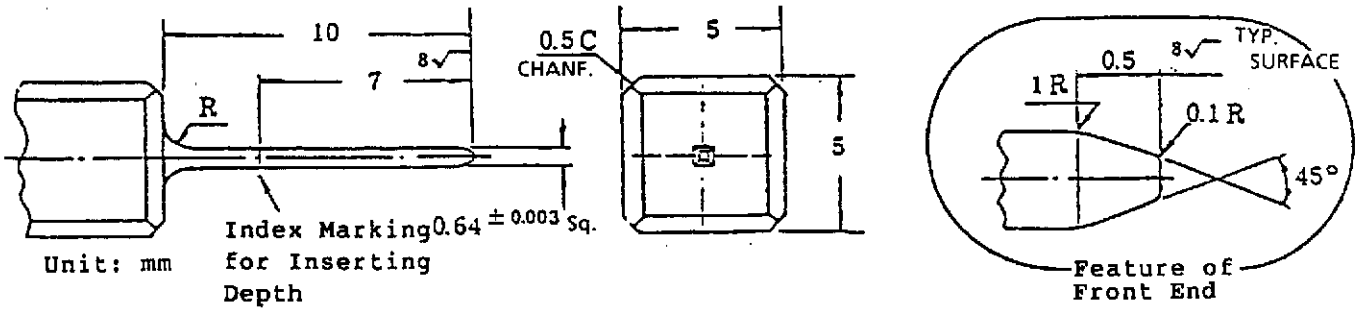
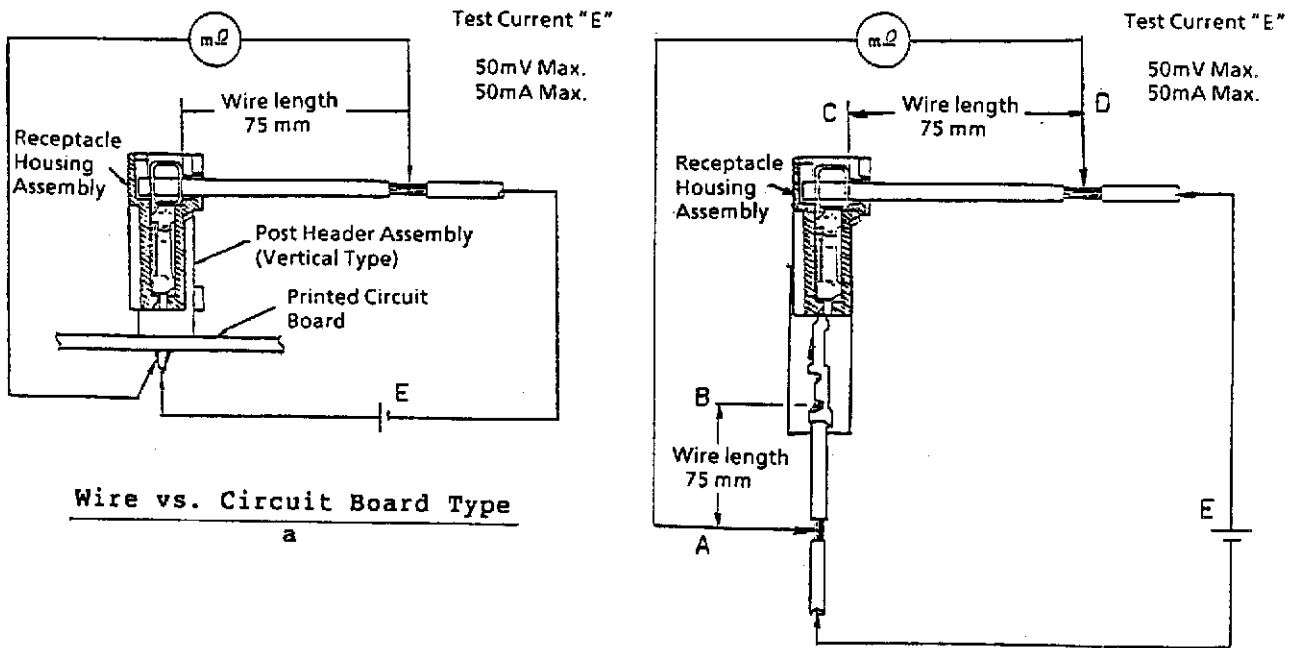


Fig. 1 Gage for Measuring Contact Insertion/Extraction Force



Termination resistance is calculated after deducting resistance of terminated wires of 75mm in length.

Fig. 2 Low Level Termination Resistance Measurement

SHEET	AMP		AMP (Japan), Ltd TOKYO, JAPAN	
9 OF 11	LOC J	A	108-5130	REV. H ↓
NAME	Design Objectives: AMP Mass-Termination "EI" Series Connector			

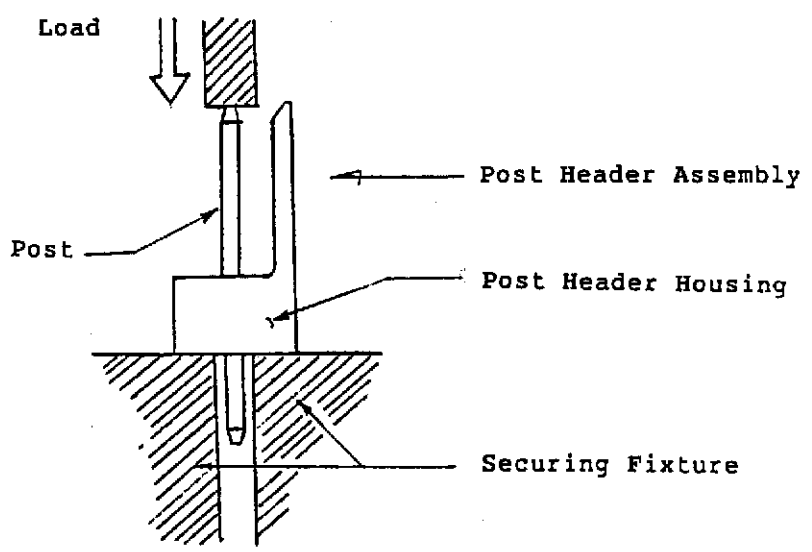


Fig. 3 Post Retention Force Test Method

SHEET		AMP		AMP (Japan), Ltd TOKYO, JAPAN	
<u>10</u> OF <u>11</u>				LOC	REV.
J	A	108-5130		H	I
NAME		Design Objectives AMP Mass-Termination "EI" Series Connector			

9. Important Instructions for Mating/Unmating of connector:

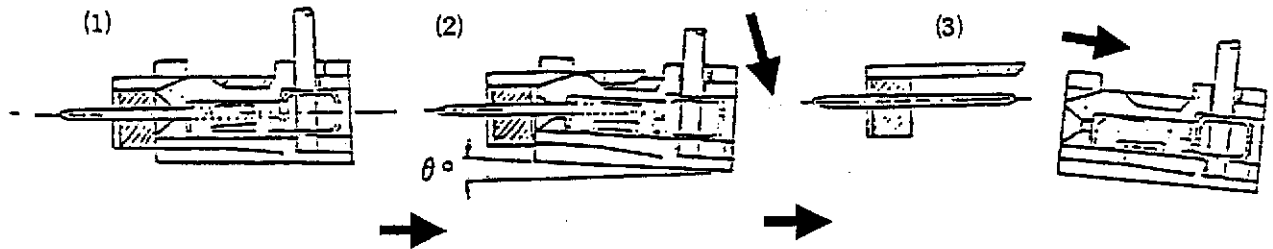
9.1 Insertion of connector:

Hold the connector assembly by grasping bundle of wires of wire entry side, and apply connector to mate with P> C. board post header and push in straight until it bottoms, so that they fit rightly as the corner guides slide along the edge of post header.

9.2 Extraction of Connector:

When to unmate receptacle connector, hold the connector in hand, and release locking mechanism of connector by depressing the wire side of connector lightly as shown in Fig. 4, then, withdraw the connector by pulling back straight.

Do not attempt unmating by pulling wire bundle.



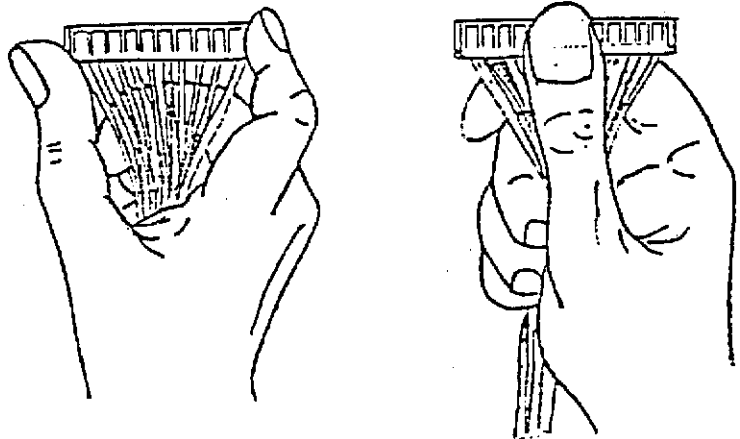
Connector is engaged in position with locking device set in effect as shown above.

Before withdrawal, depress wire side of connector lightly, so that locking latch is released and unmating is made ready.

Unmate the receptacle connector by pulling back evenly, and straight toward yourself. Connector is easily disengaged.

Notes:

- 1) At insertion and extraction of connector, do not bend and twist connector amiss to connector axis, to prevent deformation of contact.
- 2) Do not unmate by pulling wire bundle.



Recommended holding methods of connector for mating and unmating operation are shown in Fig. 4.

SHEET		AMP		AMP (Japan), Ltd TOKYO, JAPAN	
11 OF 11		LOC	A	108-5130	REV. H1
NAME		Design Objectives: AMP Mass-Termination "EI" Series Connector			

一般顧客用
管理基準

社内標準
(製造標準)



日本エー・エム・ピー株式会社

通用事業所
全社

設計目標書
本製品は下記要件を満足するかが未確認です。従って、本製品がこれら要件を満足することを保証するものではありません。また、これら要件は都合により変更する場合があります。詳細は、当社技術部にお問い合わせ下さい。
本書中に「本規格は」と引用している箇所はすべて「本設計目標書は」と読み換えて適用願います。

マスターミネーション E.I シリーズ・コネクタ
Design Objectives

1. 適用範囲

AMP Mass-Termination "EI" Series Connector

本規格は、マスターミネーション E.I シリーズ・コネクタに関する仕様及び EI シリーズ (圧着型) との組合せによる“電線対電線”接続を含む性能上の必要事項について規定する。

(注) EI シリーズ (圧着型) に関する仕様及び性能は、製品規格 108-5118 によるものとする。

2. 特徴

本コネクタは、結線方式にディスプレイション圧接 (スロット結線) を採用し電線の多極一括接続が可能で“電線対プリント基板”接続用、極間 2.5mm ピッチのコネクタである。極数 (2~20 極) 及び嵌合方向 (垂直型、水平型) はその使用にあわせて選択することができる。またコネクタは E.I シリーズ・コネクタとの互換性を有する。

3. 製品の構成及び材料

コネクタは予めコンタクトがハウジングに装着されたリセプタクル・ハウジング・アセンブリ (略称リセアセンブリ) と 0.64 角ポストが組込まれた垂直または水平型のポストヘッダー・アセンブリで構成される。

各ハウジング、コンタクト及びポストは下記の材料、めっき仕様により製造され、その構造寸法は該当する製品図面に合致していること。

- (1) リセプタクル・コンタクト .. [材 質 ; りん青銅 (錫めっき済)
めっき厚 : 錫めっき 0.8µm 以上
- (2) ポ ス ト [材 質 ; 黄銅線 (錫めっき済)
めっき厚 : 銅下地めっき 0.5µm 以上の上に錫めっき 0.8µm 以上
- (3) リセハウジング [材 質 ; 66 ナイロン
ポストハウジング 難 燃 性 : UL94V-0

H1	設計目標書 RFA-1905	KJ	SK	SK	1/2/95			
H	改訂 RFA-1695	JF	S. Kibuchi		1/2/90			
G	改訂 RFA-1535	JF	S. Kibuchi		1/11/89			
F	改訂 RFA-1271	JF	SK		7/12/88	作成:	分類:	設計目標書
E	改訂 RFA-1064					古屋 5/12/88		
D	改訂 RFA-679							
C	改訂 (9頁追加) RFA-467					検閲:	コード:	108-5130
B	改訂 RFA-423					S. Kibuchi		改訂 H1
A	改訂							
O	作成 RFA-392					承認:	名称:	マスターミネーション E.I シリーズ・コネクタ
改訂	改訂記録	作成	検閲	承認	年月日			
配布	昭和 54 年 2 月 17 日 制定							8 頁中 1 頁

4. 適用電線

本コネクタに適用可能な電線のサイズ及び仕様は、Fig-1に規定する範囲内のものとする。

Fig-1

電線サイズ	導体断面図 (mm ²)	被覆外径 材質	導体仕様
AWG#22	0.3 ~ 0.35	φ1.1 ~ φ1.5 PVC 電線	錫コーティング撚線 単線 (錫めっき付) 7本撚線 (錫めっき付)
AWG#24	0.2 ~ 0.22	φ1.1 ~ φ1.5 PVC 電線	
AWG#26	0.12 ~ 0.15	φ1.1 ~ φ1.5 PVC 電線	
AWG#28	0.08 ~ 0.09	φ1.1 ~ φ1.5 PVC 電線	

(注； 使用電線決定に際しては仕様の適合性について当社に問い合わせ下さい)

5. 定 格

(1) 定格電圧：AC 250V 及び DC 350V

(2) 定格電流：接続する電線をサイズにより下記の通りとする。

{	3.5A (AWG#22)
	3.0A (AWG#24)
	2.5A (AWG#26)
	2.0A (AWG#28)

(3) 使用温度範囲： -20°C ~ +95°C

(但し、温度の上限には負荷電流によって生じる温度上昇分を含む)

6. 品質保証条件

6.1 試験環境

特に規定のある場合を除き性能試験は下記の環境条件のもとで行うこと。

温 度：	15 ~ 35°C
湿 度：	45 ~ 75 %
気 圧：	8.7X10 ⁴ ~1.07X10 ⁵ MPa (650~800mmHg)

6.2 試験試料

(1) 性能試験に用いる試料は該当製品図面上の規定事項に合致したものであること。

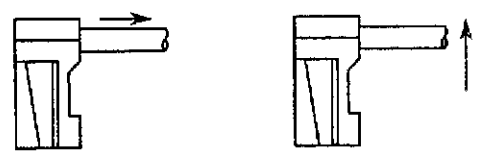
(2) 接続電線は4項に規定する範囲内の錫コーティング撚線、単線 (錫めっき付) または7本撚線 (錫めっき付) を用い適用工具によって結線せれること。

(3) いずれの試料も特に規定しない限り再度試験に用いてはならない。

7. 製品性能

本コネクタの性能は、Fig-2に示す試験条件及び方法に基づいて試験した結果、各項目に定められた規格値を満足しなければならない。

項番	試験項目	規格値	試験条件及び方法					
7.1	外 観	機能上支障をきたすワレ、フクレ、変色等のないこと。	目視検査による					
7.2	ローレベル総合抵抗	初期：10mΩ以下 環境試験後：20mΩ以下	図2に示す測定回路により開路電圧DC 50mV以下、開路電流50mA以下で各極の抵抗を測定する。					
7.3	絶 縁 抵 抗	500 MΩ 以上	MIL-STD-202試験法302条件Bによりリセアセンブリの隣接するコンタクト相互間及びコンタクトとアース間をDC 500Vにて測定する。					
7.4	耐 電 圧	AC 1KV 1分間にて絶縁破壊放電等の異常のないこと。	MIL-STD-202試験法301によりリセアセンブリの隣接するコンタクト相互間及びコンタクトとアース間にAC1KVを印加して試験する。					
7.5	コンタクト保持力	9.8N (1.0Kgf) 以上 / 1極	リセアセンブリのハウジング内に装着されているコンタクトを軸方向に毎分100mmの速度で引張って試験を行いコンタクトがハウジングから抜ける時の荷重を測定する。					
7.6	コンタクト挿入力 引抜き力	挿入力(初回) 3.92N 以下 (400gf) 引抜き力(初回) 0.44N 以上 及び(25回目) (45gf)	リセハウジング内に装着されている各極のリセコンタクトとFig-4に規定するポストゲージを毎分100mmの速度で操作して初回の挿入力、引抜き力及び25回目の引抜き力を測定する。(ポストゲージ挿入長:7.0mm)					
7.7	コネクタ挿入力 引抜き力 a: (電線対プリント基板 接続)	極数	挿入力 (初回)	引抜き力 (初回及び25回目)	リセアセンブリと適応する極数のポストヘッダー・アセンブリをロッキング機構を動作させて毎分100mmの速度で操作して初回の挿入力・引抜き力及び25回目の引抜き力を測定する。			
		2~5	39.3N (4Kgf) 以下	9.8N (1Kgf) 以上				
6~10		78.4N (8Kgf) 以下	14.7N (1.5Kgf) 以上					
12, 14, 16		107.8N (11Kgf) 以下	24.5N (2.5Kgf) 以上					
18, 20		117.6N (12Kgf) 以下	29.4N (3Kgf) 以上					
b: (電線対電線接続)	極数	挿入力	引抜き力	リセアセンブリとEIキャップ側コネクタを引張試験機に取付け軸方向に毎分100mmの速度で操作して嵌合離脱を行いコネクタの挿入力及び引抜き力を測定する。				
	2, 3	初回 19.6N (2Kgf) 10回目 以下	初回 4.9N (0.5Kgf) 10回目 以上					
	4	初回 29.4N (3Kgf) 10回目 以下	初回 6.9N (0.7Kgf) 10回目 以上					
	5, 6	初回 39.2N (4Kgf) 10回目 以下	初回 9.8N (1Kgf) 10回目 以上					
	8, 10 12	初回 49N (5Kgf) 10回目 以下	初回 14.7N (1.5Kgf) 10回目 以上					
FIG-2 (続く)								
分類:	設計目標書	標準の名称:	マスターミネーションE.Iシリーズ・コネクタ	標準のコード:	108-5130	改訂	H ₁	3/8頁

項番	試験項目	規格値	試験条件及び方法		
7.8	耐久性 (コネクタ繰返し挿抜)	ローレベル総合抵抗 10 mΩ以下	リセアンプリと適応する極数のポストヘッダー・アセンブリを通常の状態状態で10回/分を越えない速度で繰返し25回挿入・引抜きを行う。		
7.9	電線保持力 ①真直方向強度 ②直交方向強度	① 真直方向強度 $\left\{ \begin{array}{l} \text{AWG}^{\#}22 - \frac{44.1\text{N}}{(4.5\text{kgf})} \text{以上} \\ \text{AWG}^{\#}24 - \frac{34.3\text{N}}{(3.5\text{kgf})} \text{以上} \\ \text{AWG}^{\#}26 - \frac{24.5\text{N}}{(2.5\text{kgf})} \text{以上} \\ \text{AWG}^{\#}28 - \frac{14.7\text{N}}{(1.5\text{kgf})} \text{以上} \end{array} \right.$ ② 直交方向強度 $\left\{ \begin{array}{l} \text{AWG}^{\#}22(\text{外径}\phi 1.3\text{以上}) \\ \frac{19.6\text{N}}{(2\text{kgf})} \text{以上} \\ \text{AWG}^{\#}24(\text{外径}\phi 1.3\text{以上}) \\ \frac{19.6\text{N}}{(2\text{kgf})} \text{以上} \\ \text{AWG}^{\#}26(\text{外径}\phi 1.2\text{以上}) \\ \frac{14.7\text{N}}{(1.5\text{kgf})} \text{以上} \\ \text{AWG}^{\#}28(\text{外径}\phi 1.1\text{以上}) \\ \frac{9.8\text{N}}{(1\text{kgf})} \text{以上} \end{array} \right.$	リセアセンブリに接続された電線を下記に指定する方向に毎分100mmの速度で引張って試験し、電線が破断または結線部から抜けるときの荷重を測定する。 ① 真直方向強度 ② 直交方向強度  (注) 直交方向強度は左記に指定された電線被覆外径寸法のものに適用し、これ以外のものについては $\frac{9.8\text{N}}{(1\text{kgf})}$ 以上とする。		
7.10	振動(低周波)	振動中1μ秒を越える不連続導通を生じないこと。 ローレベル総合抵抗 20mΩ以下	MIL-STD-202試験法201によりリセアセンブリとプリント基板上に取付けられた適応する極数のポストヘッダー・アセンブリを嵌合させ、各極が直列回路になるように接続し、0.1Aの試験電流を通電させた状態で試験を行う。 $\left\{ \begin{array}{l} \text{最大全振巾} \quad 1.5 \text{ mm} \\ \text{振動周波数} \quad 10 \sim 55\text{Hz 往復1分間} \\ \text{振動方向、時間} \quad \text{X, Y, Z方向各2時間} \end{array} \right.$		
7.11	温度上昇	30°C以下 試験電流 $\left\{ \begin{array}{l} \text{AWG}^{\#}22 - 3.5\text{A} \\ \text{AWG}^{\#}24 - 3.0\text{A} \\ \text{AWG}^{\#}26 - 2.5\text{A} \\ \text{AWG}^{\#}28 - 2.0\text{A} \end{array} \right.$	リセアンプリとプリント基板上に取付けられた適応する極数のポストヘッダー・アセンブリを嵌合させ、各極が直列回路になるように接続し下記に指定する電流を通電して試験する。温度は平衡状態に達したときのものを熱電対計法によって測定する。		
7.12	耐湿性 (サイクリング)	ローレベル総合抵抗 20 mΩ以下 絶縁抵抗 500 MΩ以上	MIL-STD-202試験法106によりリセアセンブリをプリント基板上に取付けられた適応する極数のポストヘッダー・アセンブリを嵌合させた状態で10サイクル試験する。(ステップ7bは省略) (温湿度範囲 -10 ~ +65°C 80 ~ 98% R.H) 試験後の測定は室温中に1時間放置した後に行う。		
分類:	設計目標書	標準の名称: マスターミネーションE.Iシリーズ・コネクタ	標準のコード: 108-5130	改訂 H	4/8頁

項番	試験項目	規格値	試験条件及び方法
7.13	熱 衝 撃	ローレベル総合抵抗 20 mΩ 以下	MIL-STD-202試験法107条件A-1により、リセアセンブリとプリント基板上に取付けられた適応する極数のポストヘッダー・アセンブリを嵌合させた状態で25サイクル試験する。 { 湿度及び時間/サイクル： -55°C-30分間 +85°C-30分間 } 試験後の測定は室温中に1時間放置した後に行う。
7.14	塩 水 噴 霧	ローレベル総合抵抗 20 mΩ 以下	MIL-STD-202試験法101条件Bにより、リセアセンブリとプリント基板上に取付けられた適応する極数のポストヘッダー・アセンブリを嵌合させた状態で48時間試験する。 (塩水濃度 5%・温度 35°C) 試験後の測定は試料を水洗いし、室温中に1時間放置乾燥した後に行う。
7.15	ポスト保持力	18.6N (2kgf) 以上 / 1極	ポストヘッダー・アセンブリをFig-6に示す方法で試験する。 ハウジング部を治具で受け、ポスト先端をフォースゲージによって軸方向に垂直に押し、ポストがハウジングから抜ける時の荷重を測定する。
7.16	ポスト半田付性	半田ヌレは95%以上	ポストヘッダー・アセンブリのポストの半田部分をフラックス(アルファ 100, GX-5又はGX-7)に5~10秒間浸漬した後230±5°Cのはんだ(錫 60%, 鉛 40%)槽中に3±0.5秒間浸漬して試験する。
7.17	半田耐熱性	機能を損う変形および欠陥のないこと。	ポストヘッダー・アセンブリをプリント基板に装着した状態で、ポストのはんだ付部分を260±5°Cのはんだ槽中に10±0.5秒間浸漬して試験する。 (手付けの場合) ポストヘッダー・アセンブリとプリント基板に装着した状態で、350±10°Cの槽中に2秒間浸漬を行い試験する。但し、是等の試験は、先等による加圧による場合。
FIG-2 (終り)			
分類： 設計目標書	標準の名称： マスターミネーションE.Iシリーズ・コネクタ	標準のコード： 108-5130	改訂 H 5/8頁

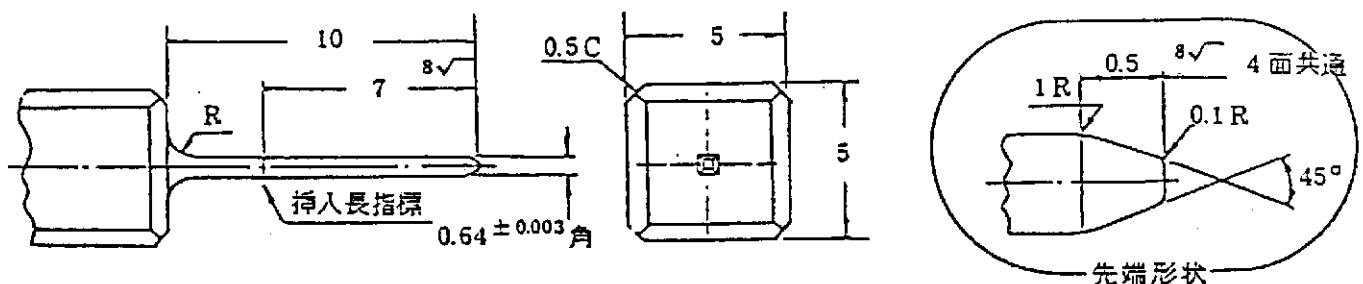
8. 試験順序

性能試験は試料を各グループに分けてFIG-3に示す順序で行うこと。

試験項目	試験方法 項番	試験グループ										
		1	2	3	4	5	6	7	8	9	10	11
外観	7.1	①②	①⑦	①⑤	①③	①	①	①	①	①	①③	①
ローレベル総合抵抗	7.2	③③③	③③③	②④								
絶縁抵抗	7.3	⑦										
耐電圧	7.4	⑤										
コンタクト保持力	7.5							②				
コンタクト挿入力・引抜き力	7.6											②
コネクタ挿入力・引抜き力	7.7(a), (b)					②						
耐久性	7.8	③										
電線保持力	7.9						②					
振動(低周波)	7.10		③									
温度上昇	7.11				②							
耐湿性(サイクリング)	7.12	⑤										
熱衝撃	7.13			③								
塩水噴霧	7.14		⑤									
ポスト保持力	7.15							②				
はんだ付性	7.16								②			
はんだ耐熱性	7.17										②	

FIG-3

FIG-4 コンタクト挿抜き力測定用ゲージ



分類：設計目標書

標準の名称：マスターミネーションE.Iシリーズ・コネクタ

標準のコード：108-5130

改訂 H1

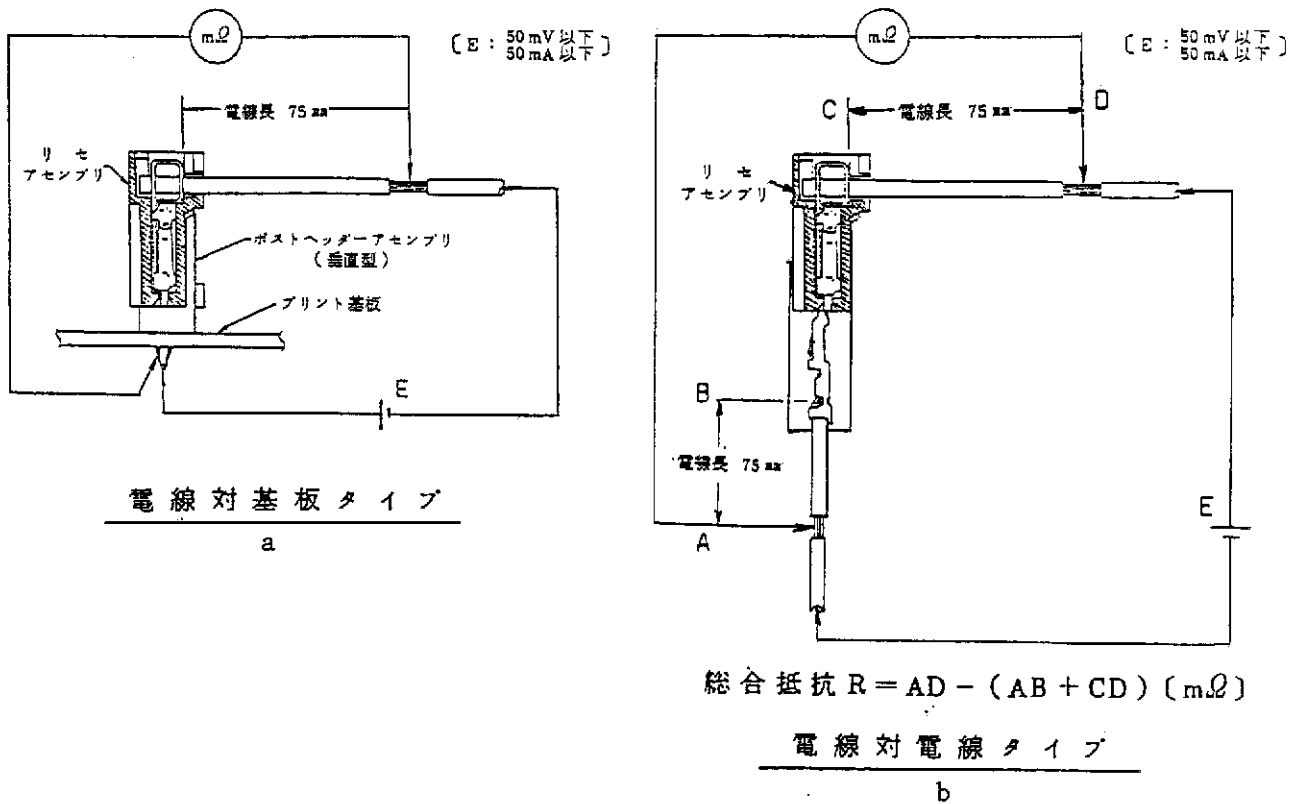


Fig-5 ローレベル抵抗試験方法

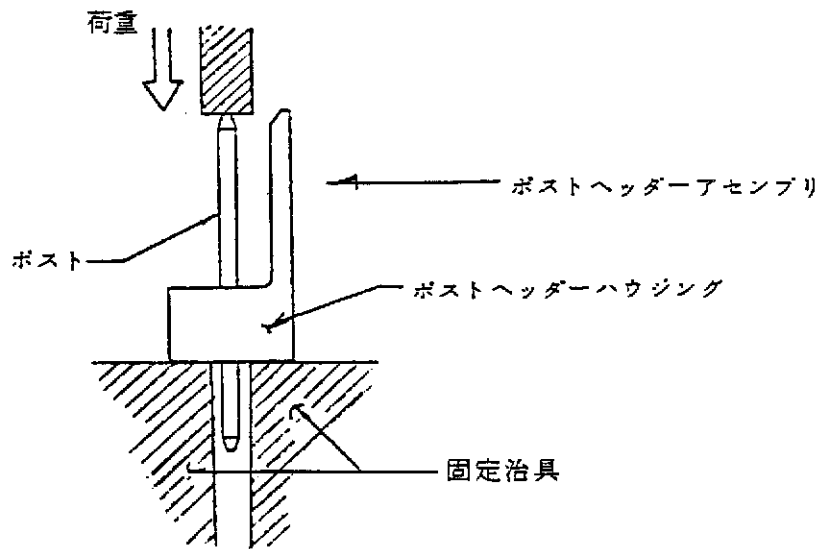


Fig-6 ポスト保持力試験方法

分類: 設計目標書	標準の名称: マスターミネーションE.Iシリーズ・コネクタ	標準のコード: 108-5130	改訂 H ₁	7/8頁
--------------	----------------------------------	---------------------	----------------------	------

9. コネクタ挿抜作業に於ける取扱い規定

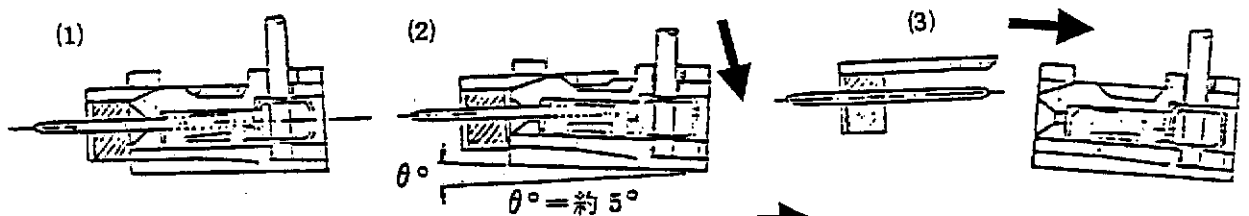
9.1 コネクタ装着方法

接続された電線お手前側にしてつかみ、ピッチずれ防止の両壁でポストヘッダーのロックングの壁をつつむようにガイドしてまっすぐに挿入すること。

9.2 コネクタ引抜方法

リセプタクル・ハウジングを、両端のすべり防止をつかんでFIG-7に示すように一度ロック部の反対側に少し倒してロックを解除した後まっすぐ引抜くこと。

FIG-7 ロック解除の順序



通常コネクタは上図の様に嵌合している。

コネクタの手前側を押し下げると上部のロック機構が外れ、抜き易くなる。

均等に手前に引くとコネクタは外れる。

(注) 1. コネクタを前後左右にこじってはならない。

2. 接続した電線のみ直接負荷をかけて抜かないこと。

尚、接続電線を保持して抜く場合の推奨される持ち方をFIG-8に示す。

FIG-8 接続電線を保持して抜く場合の持ち方

