
Board-To-Board Power Tap, Receptacles and Pins

1. SCOPE

1.1. Content

This specification covers performance, tests and quality requirements for the AMP* single position pin and receptacle board-to-board power tap with .100 X .300 inch ACTION PIN* foot print. This includes vertical receptacles and right angle pin.

1.2. Qualification

When tests are performed on the subject product line, procedures specified in Figure 1 shall be used. All inspections shall be performed using the applicable inspection plan and product drawing.

1.3. Qualification Test Results

Successful qualification testing on the subject product line was completed on 31Mar00. The Qualification Test Report number for this testing is 501-398-1. This documentation is on file at and available from Engineering Practices and Standards (EPS).

2. APPLICABLE DOCUMENTS

The following documents form a part of this specification to the extent specified herein. Unless otherwise specified, the latest edition of the document applies. In the event of conflict between the requirements of this specification and the product drawing, the product drawing shall take precedence. In the event of conflict between the requirements of this specification and the referenced documents, this specification shall take precedence.

2.1. AMP Documents

- 108-1624: Product Specification
- 109-197: AMP Test Specifications vs EIA and IEC Test Methods
- 114-11000: Application Specification
- 501-398-1: Qualification Test Report

2.2. Commercial Standard

EIA-364: Electrical Connector/Socket Test Procedures Including Environmental Classifications

3. REQUIREMENTS

3.1. Design and Construction

Product shall be of the design, construction and physical dimensions specified on the applicable product drawing.

3.2. Materials

Materials used in the construction of this product shall be as specified on the applicable product drawing.

3.3. Ratings

- Voltage: 600 volts AC
- Current: See Product Specification 108-1624 for applicable current carrying capability
- Temperature: -55 to 105°C

3.4. Performance and Test Description

Product is designed to meet the electrical, mechanical and environmental performance requirements specified in Figure 1. Unless otherwise specified, all tests shall be performed at ambient environmental conditions per EIA-364.

3.5. Test Requirements and Procedures Summary

Test Description	Requirement	Procedure
Initial examination of product.	Meets requirements of product drawing.	EIA-364. Visual and dimensional inspection per product drawing.
Final examination of product.	Meets visual requirements.	EIA-364. Visual inspection.
ELECTRICAL		
Dry circuit resistance.	0.34 milliohm maximum initial. 0.5 milliohm maximum final.	EIA-364-23. Subject specimens to 100 milliamperes maximum and 20 millivolts maximum open circuit voltage. See Figure 3.
Temperature rise vs current.	30°C maximum temperature rise at specified current.	EIA-364-70. Measure temperature rise vs current. See Product Specification 108-1624.
MECHANICAL		
Vibration, sinusoidal.	No discontinuities of 1 microsecond or longer duration. See Note.	EIA-364-28, Condition I. Subject mated specimens to 10-55-10 Hz traversed in 1 minute with 1.5 mm [.06 in] maximum total excursion. 2 hours in each of 3 mutually perpendicular planes. See Figure 4.
Mechanical shock, specified pulse.	No discontinuities of 1 microsecond or longer duration. See Note.	EIA-364-27, Condition A. Subject mated specimens to 50 G's half-sine shock pulses of 11 milliseconds duration. 3 shocks in each direction applied along 3 mutually perpendicular planes, 18 total shocks. See Figure 4.

Figure 1 (cont)

Test Description	Requirement	Procedure
Durability.	See Note.	EIA-364-9. Mate and unmate specimens for 25 cycles at a maximum rate of 500 cycles per hour.
Mating force.	10 pounds maximum.	EIA-364-13, Condition A. Measure force necessary to mate specimens at a maximum rate of 25.4 mm [1 in] per minute.
Unmating force.	1 pound minimum.	EIA-364-13, Condition A. Measure force necessary to unmate specimens at a maximum rate of 25.4 mm [1 in] per minute.
ENVIRONMENTAL		
Temperature life.	See Note.	EIA-364-17. Subject mated specimens to 105°C for 1000 hours.
Mixed flowing gas.	See Note.	EIA-364-65. Subject mated specimens to environmental Class IIA for 14 days.

NOTE *Shall meet visual requirements, show no physical damage, and meet requirements of additional tests as specified in the Product Qualification and Requalification Test Sequence shown in Figure 2.*

Figure 1 (end)

3.6. Product Qualification and Requalification Test Sequence

Test or Examination	Test Group (a)	
	1	2
	Test Sequence (b)	
Initial examination of product	1	1
Dry circuit resistance	3,7	2,7
Temperature rise vs current		3,8
Vibration	5	6(c)
Mechanical shock	6	
Durability	4	
Mating force	2	
Unmating force	8	
Temperature life		5
Mixed flowing gas		4(d)
Final examination of product	9	9

NOTE

- (a) See paragraph 4.1.A.
- (b) Numbers indicate sequence in which tests are performed.
- (c) Discontinuities shall not be measured. Energize at 18°C level for 100% loadings per AMP Specification 102-6.
- (d) Precondition specimens with 10 durability cycles.

Figure 2

4. QUALITY ASSURANCE PROVISIONS

4.1. Qualification Testing

A. Specimen Selection

Specimens shall be prepared in accordance with applicable Instruction Sheets and shall be selected at random from current production. All test groups shall each consist of 10 silver plated vertical receptacle assemblies, 10 silver plated right angle pin assemblies, 10 gold plated vertical receptacle assemblies and 10 gold plated right angle pin assemblies.

B. Test Sequence

Qualification inspection shall be verified by testing specimens as specified in Figure 2.

4.2. Requalification Testing

If changes significantly affecting form, fit or function are made to the product or manufacturing process, product assurance shall coordinate requalification testing, consisting of all or part of the original testing sequence as determined by development/product, quality and reliability engineering.

4.3. Acceptance

Acceptance is based on verification that the product meets the requirements of Figure 1. Failures attributed to equipment, test setup or operator deficiencies shall not disqualify the product. If product failure occurs, corrective action shall be taken and specimens resubmitted for qualification. Testing to confirm corrective action is required before resubmittal.

4.4. Quality Conformance Inspection

The applicable AMP quality inspection plan shall specify the sampling acceptable quality level to be used. Dimensional and functional requirements shall be in accordance with the applicable product drawing and this specification.

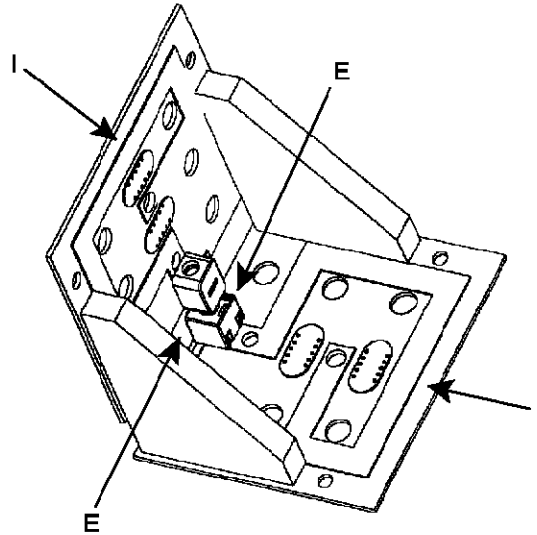


Figure 3
Dry Circuit Resistance Measurement Points

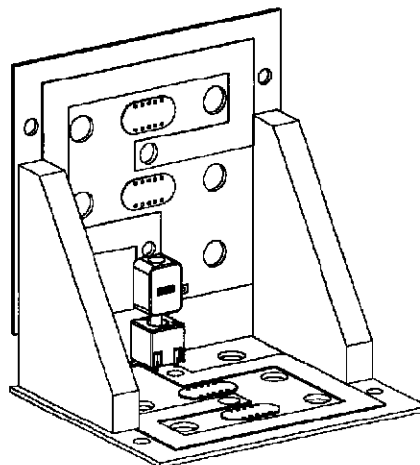


Figure 4
Vibration & Mechanical Shock Mounting Fixture