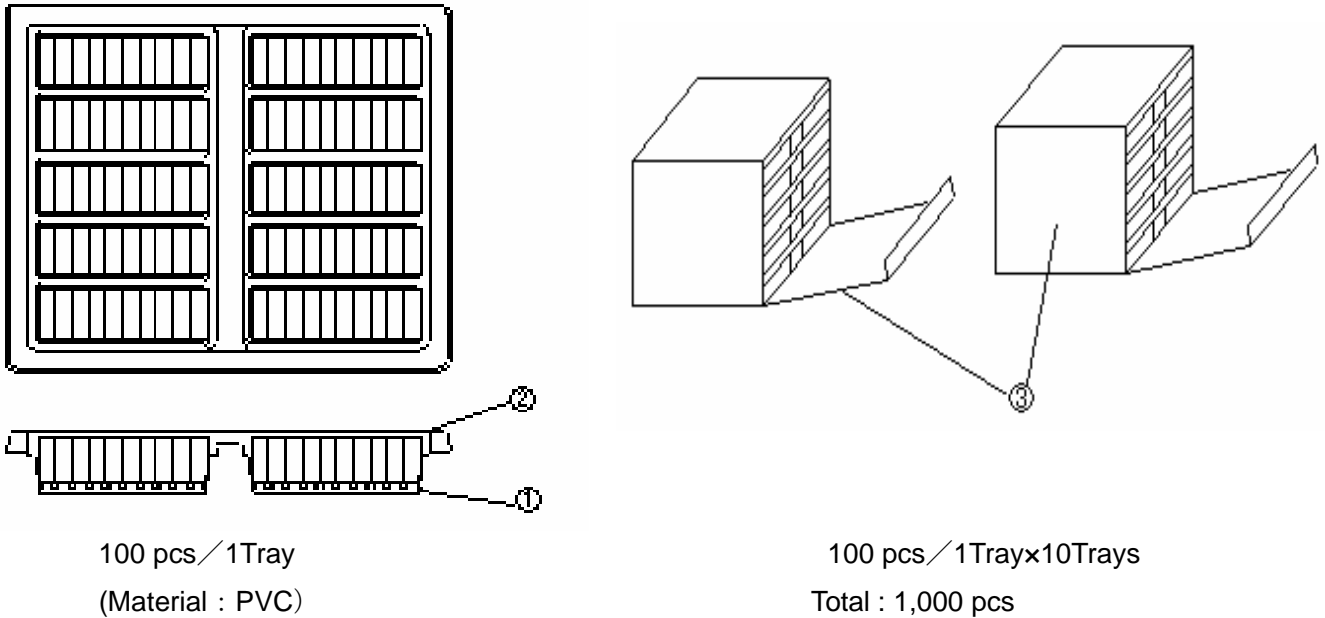
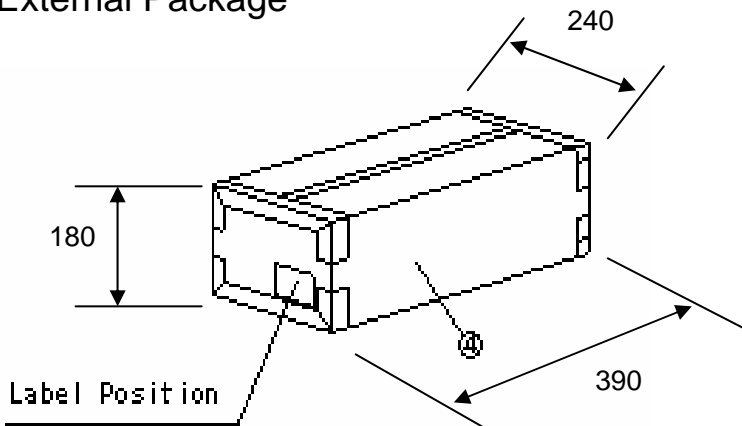


PCH 梱包形態 (PCH PACKING CONDITION)

1. Inner Package



2. External Package



Total : 1,000 pcs / Shipping Box
Gross : 8.02 kg

Dimension unit : mm

ITEM No	DESCRIPTION	AMP PART No.	QTY.
①	TRAY	1-1440829-1	10
②	LID	3-1440806-7	10
③	INSIDE CARTON	3-1440806-2	2
④	OUTSIDE CARTON	3-1440806-4	1