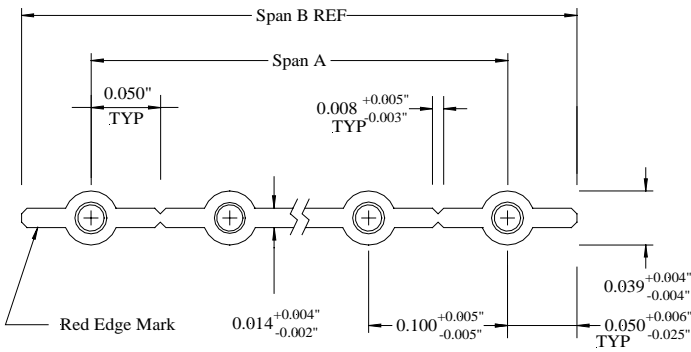


# MULTI-CONDUCTOR 26 AWG 0.100" CENTER LEAD-FREE PVC FLAT RIBBON CABLE

Flat Cable Cross-Section



## CONSTRUCTION

### Single Component

**Conductor:** 26 AWG 7/34 Tin Plated Copper, 0.019 Inch Diameter

### Final Assembly

**Core:** Singles Laid Flat and Parallel (See Table 1)

**Insulation/Jacket:** 0.010 Inches Nominal of PVC, Color - Gray

**Dimensions:** See Table 1 and Cross-Sectional Drawing

**Identification:** Polarity Edge Mark shall cover at minimum the edge of cable to the centerline of the first conductor and shall not exceed the notch between conductors 1 and 2, Color - Red

**Print Legend:** AWM STYLE 2651 105°C 300V VW-1 MADISON CABLE {Mfg Location Code}<sup>1</sup> CSA AWM I A 105°C 300V FT1"

<sup>1</sup> Mfg. Location Code is an optional code that is inserted for manufacturing location other than Worcester.

TABLE 1 – PART NUMBERS & DIMENSIONS

# of Cond	Tyco P/N	Dimensions (Inches)	
		Span A	Span B (Nominal)
2	0-57744-2	0.100 ± 0.005	0.200
3	0-57744-3	0.200 ± 0.005	0.300
4	0-57744-4	0.300 ± 0.005	0.400
5	0-57744-5	0.400 ± 0.006	0.500
6	0-57744-6	0.500 ± 0.006	0.600
7	0-57744-7	0.600 ± 0.007	0.700
8	0-57744-8	0.700 ± 0.007	0.800
9	0-57744-9	0.800 ± 0.007	0.900
10	1-57744-0	0.900 ± 0.007	1.000
11	1-57744-1	1.000 ± 0.007	1.100
12	1-57744-2	1.100 ± 0.008	1.200
13	1-57744-3	1.200 ± 0.008	1.300
14	1-57744-4	1.300 ± 0.008	1.400
15	1-57744-5	1.400 ± 0.008	1.500
16	1-57744-6	1.500 ± 0.008	1.600
17	1-57744-7	1.600 ± 0.009	1.700
18	1-57744-8	1.700 ± 0.009	1.800

19	1-57744-9	1.800 ± 0.009	1.900
20	2-57744-0	1.900 ± 0.009	2.000
21	2-57744-1	2.000 ± 0.009	2.100
22	2-57744-2	2.100 ± 0.010	2.200
23	2-57744-3	2.200 ± 0.010	2.300
24	2-57744-4	2.300 ± 0.010	2.400
25	2-57744-5	2.400 ± 0.010	2.500
26	2-57744-6	2.500 ± 0.010	2.600
27	2-57744-7	2.600 ± 0.010	2.700
28	2-57744-8	2.700 ± 0.010	2.800

## PITCH ACCUMULATION CHART<sup>3</sup>

Number of Conductors	Accumulation Range
2 – 4	± 0.005"
5 – 6	± 0.006"
7 – 11	± 0.007"
12 – 16	± 0.008"
17 – 21	± 0.009"
22 – 28	± 0.010"

<sup>2</sup> Length per Reel: 250 +3/-0 ft; May Contain Separate Lengths; 20 ft Minimum per Length, Two Lengths Maximum per Reel

<sup>3</sup> Pitch Accumulation is defined as the maximum difference between the actual accumulated pitch and the accumulated specification pitch for any group of continuous conductors.

## ELECTRICAL CHARACTERISTICS

**Conductor DC Resistance:** 0.038 Ohms/ft Nominal @ 20°C

## SAFETY CERTIFICATION

**UL Recognized:** AWM Style 2651 105°C 300 Volts VW-1

**CSA Certification:** AWM I A 105°C 300 Volts FT1

**ROHS Compliance:** In Accordance to European Directive 2002/95/EC, Issue 13.2.2003



125 Goddard Memorial Drive • Worcester, MA 01603 USA  
Tel: (508) 752-2884 Toll-Free: (877) MADISON Fax: (508) 752-4230

**Spec Number:** 100-7244

**Part Number:** See Table 1

**Customer:**

**Customer #:**

## REVISION HISTORY

1	08/12/02	EP	Initial Release
2	08/19/04	EP	Revised P/N Table; Added Legend

**Prepared By:** E. Piekelniaik

**Reviewed By:** M. Dupuis

N. Allen

Page

1 of 1