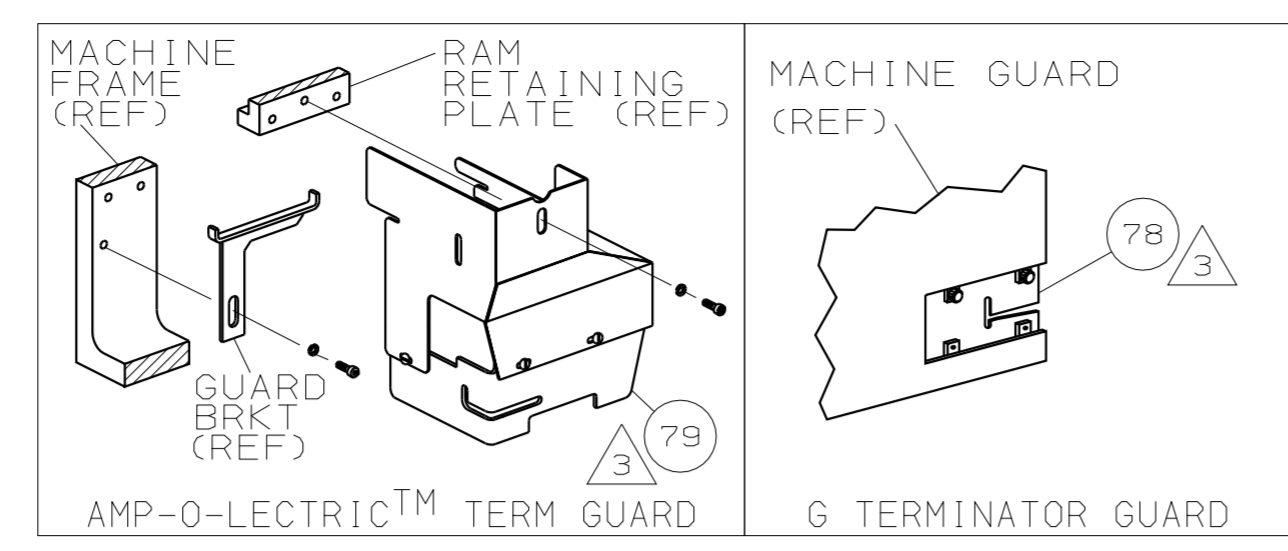
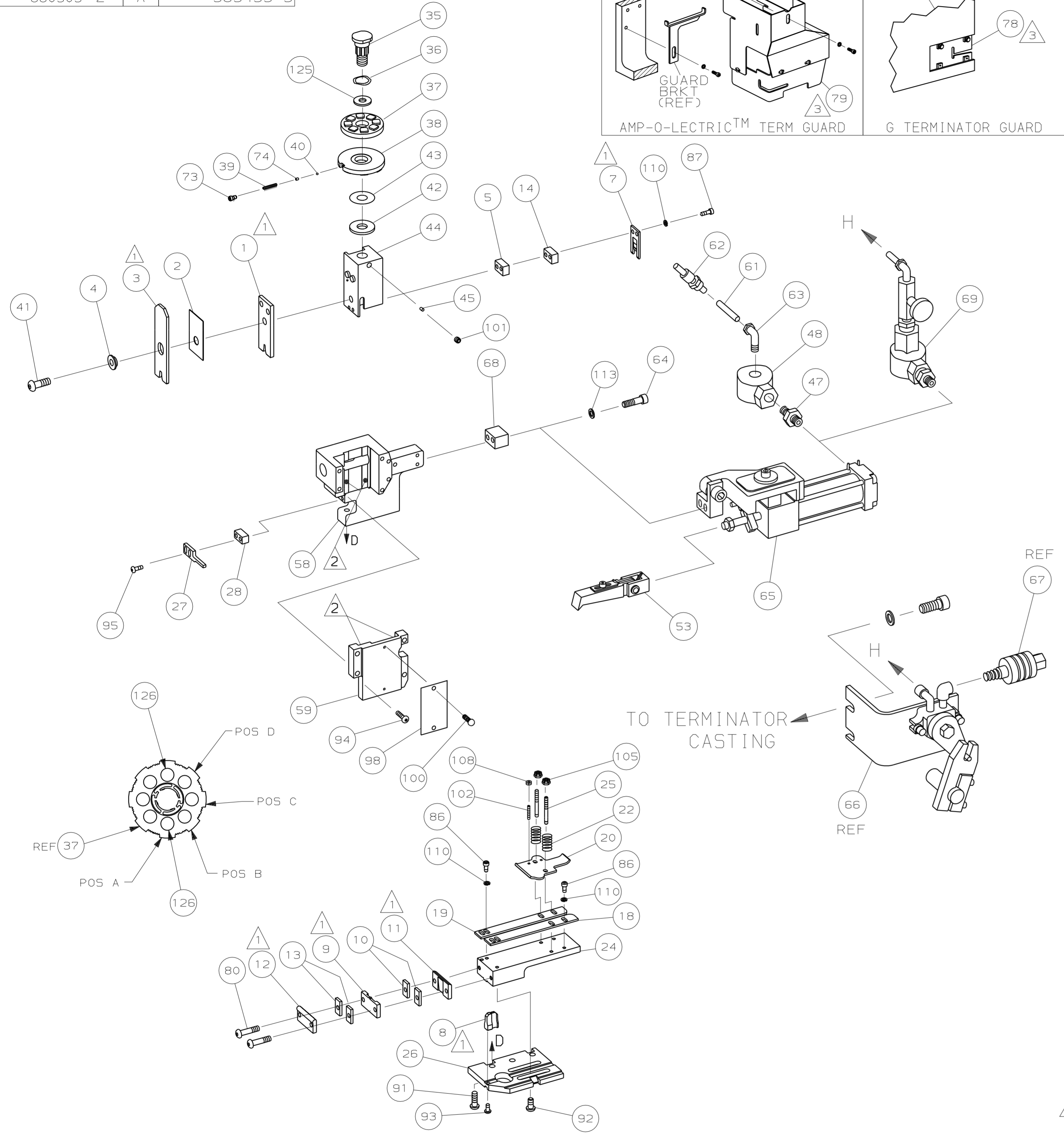


PART NUMBER	REV	FIRST USED
680505-1	A	122500-1
680505-2	A	565435-5



TERMINAL NAME: SWITCH CONTACT		CRIMPING DATA				
PAD LTR	CRIMP HEIGHT	WIRE SIZE				
A	.070 ±.002 [1.78 ±0.05mm]	16				
B	NOT	USED				
C	NOT	USED				
D	NOT	USED				
CRIMP	SIZE	TYPE	RANGE			
WIRE	.090 [2.29mm]	F	16			
INSUL	.130 [3.30mm]	F	.079-.130			
WIRE STRIP LENGTH	TERM APPL	SPEC	FEED	APPL INSTRUCTION	SET UP GAGE	LAYOUT
.188-.203	NONE		1.110	408-8039	458638-1	L1970

-1	LEADMAKER & BENCH MODEL G	AIR FEED	
-2	BENCH MODEL K	AIR FEED	



QTY	REV	U/M	DWG SIZE	PART NO	DESCRIPTION	ITEM NO
129						129
128						128
127						127
126				9-354778-1	PIN, WIRE DISC (.2950)A	126
125				986950-1	WASHER, FLAT PRECISION	125
124				217238-1	GENERAL INSTRUCTION PACKAGE	124
123				4088039	EF APPL INST 408-8039	123
122						122
121						121
120						120
119						119
118						118
117						117
116						116
115						115
114						114
113				21024-5	WASHER, LOCK (#10) AIR ASSY	113
112						112
111						111
110				21024-4	WASHER, LOCK (NO.8) SHEAR BL	110
109						109
108				21018-4	NUT, HEX (4-40) DRAG	108
107						107
106						106
105				21022-2	NUT, HEX SL (8-32) DRAG STUD	105
104						104
103						103
102				2-21006-6	SCR, SKT SET (4-40x.62) DRAG	102
101				21009-2	SCR, SKT SET (1/4-20x.25) RAM	101
100				21017-2	SCR, DRIVE (#2x.19) ID PLATE	100
99						99
98				461264-1	PLATE, IDENTIFICATION	98
97						97
96						96
95				2-21002-2	SCR, BHC (8-32x.50) STRIPPER	95
94				2-21002-9	SCR, BHC (10-32x.75) CAP	94
93				22733-8	SCR, BHC (8-32x.38 LW) ANVIL	93
92				3-21002-3	SCR, BHC (1/4-20x.50) ST GD PL	92
91				2-22733-8	SCR, BHC (1/4-20x.62) H5G	91
90						90
89						89
88						88
87				3-21000-0	SCR, SHC (8-32x.75) SLUG BLADE	87
86				2-21000-6	SCR, SHC (8-32x.38) STRIP GUIDE	86
85						85
84						84
83						83
82						82
81						81
80				3-21002-1	SCR, BHC (10-32x1.00) SHEAR PL	80
79				455750-7	GUARD ASSY	79
78				679532-1	INSERT, GUARD	78
77						77
76						76
75						75
74				690603-1	SPRING, ASSIST	74
73				23030-1	SCR, SKT CAP (6-32x.25) CP DSC	73
72						72
71						71
70						70
69						69
68						68
67						67
66						66
65						65
64						64
63						63
62						62
61						61
60						60
59						59
58						58
57						57
56						56
55						55
54						54
53				460680-1	FEED FINGER ASSY	53
52						52
51						51
50						50
49						49
48				22374-7	VALVE, QUICK EXHAUST	48
47				22304-1	NIPPLE, HEX 1/8 NPT	47
46						46
45				690191-1	PLUG, NYLON	45
44				455674-1	RAM	44
43				690125-1	WASHER, LAMINATED	43
42				690124-1	WASHER, RAM	42
41				7-21002-9	BOLT, CRIMPER (5/16-24x1.00)	41
40				23241-6	BALL, STEEL	40
39				690170-1	SPRING, COMPRESSION	39
38				690142-1	DISC, INSULATION	38
37				354777-1	WIRE DISC, PLASTIC	37
36				22480-5	WASHER, SPRING	36
35				690212-1	POST, RAM	35
34						34
33						33
32						32
31						31
30						30
29						29
28				2-690451-4	SPACER, STRIPPER	28
27				240639-4	STRIPPER	27
26				455676-1	PLATE, BASE	26
25				22354-8	DRAG, STUD	25
24				1-455678-4	PLATE, STRIP GUIDE	24
23						23
22				4-22281-1	SPRING, DRAG	22
21						21
20				462925-1	DRAG, STOCK	20
19				2-458030-4	GUIDE, STRIP (REAR)	19
18				2-458031-4	GUIDE, STRIP (FRONT)	18
17						17
16						16
15						15
14				4-240641-5	SPACER, SLUG BLADE	14
13				683661-2	PLATE, BEND	13
12				2-240645-4	SPACER, SHEAR PLATE	12
11				1-240644-4	PLATE, REAR SHEAR	11
10				240645-5	SPACER, SHEAR PLATE	10
9				1-240644-1	PLATE, FRONT SHEAR	9
8				5-461295-7	ANVIL	8
7				4-240651-1	BLADE, SLUG	7
6						6
5				2-240641-9	SPACER, SLUG BLADE	5
4				2-238009-5	SPACER, BLOCK CRIMPER	4
3				1-456134-9	CRIMPER, INSULATION	3
2				455888-7	SPACER, CRIMPER	2
1				1-456406-5	CRIMPER, WIRE	1

- 1 RECOMMENDED SPARE PARTS.
- 2 GREASE LIGHTLY.
- 3 GUARD MUST BE IN PLACE WHEN OPERATING APPLICATOR IN A BENCH MACHINE.
- 4 LUBRICATE DAILY USING NO. 20 MACHINE OIL.
- 5. ITEMS WITH QTY OF REF SPECIFIED (EXCEPT ITEMS 78 AND 79) ARE USED ON ITEM 32.
- 6 ITEM 78 USED WITH G TERMINATOR ONLY.
- 7 THIS APPLICATOR BENDS TERMINAL UP 45°

QTY	REV	U/M	DWG SIZE	PART NO	DESCRIPTION	ITEM NO
129						129
128						128
127						127
126				9-354778-1	PIN, WIRE DISC (.2950)A	126
125				986950-1	WASHER, FLAT PRECISION	125
124				217238-1	GENERAL INSTRUCTION PACKAGE	124
123				4088039	EF APPL INST 408-8039	123
122						122
121						121
120						120
119						119
118						118
117						117
116						116
115						115
114						114
113				21024-5	WASHER, LOCK (#10) AIR ASSY	113
112						112
111						111
110				21024-4	WASHER, LOCK (NO.8) SHEAR BL	110
109						109
108				21018-4	NUT, HEX (4-40) DRAG	108
107						107
106						106
105				21022-2	NUT, HEX SL (8-32) DRAG STUD	105
104						104
103						103
102				2-21006-6	SCR, SKT SET (4-40x.62) DRAG	102
101				21009-2	SCR, SKT SET (1/4-20x.25) RAM	101
100				21017-2	SCR, DRIVE (#2x.19) ID PLATE	100
99						99
98				461264-1	PLATE, IDENTIFICATION	98
97						97
96						96
95				2-21002-2	SCR, BHC (8-32x.50) STRIPPER	95
94				2-21002-9	SCR, BHC (10-32x.75) CAP	94
93				22733-8	SCR, BHC (8-32x.38 LW) ANVIL	93
92				3-21002-3	SCR, BHC (1/4-20x.50) ST GD PL	92
91				2-22733-8	SCR, BHC (1/4-20x.62) H5G	91
90						90
89						89
88						88
87				3-21000-0	SCR, SHC (8-32x.75) SLUG BLADE	87
86				2-21000-6	SCR, SHC (8-32x.38) STRIP GUIDE	86
85						85
84						84
83						83
82						82
81						81
80				3-21002-1	SCR, BHC (10-32x1.00) SHEAR PL	80
79				455750-7	GUARD ASSY	79
78				679532-1	INSERT, GUARD	78
77						77
76						76
75						75
74				690603-1	SPRING, ASSIST	74
73				23030-1	SCR, SKT CAP (6-32x.25) CP DSC	73
72						72
71						71
70						70
69						69
68						68
67						67
66						66
65						65
64						64
63						63
62						62
61						61
60						60
59						59
58						58
57						57
56						56
55						55
54						54
53				460680-1	FEED FINGER ASSY	53
52						52
51						51
50						50
49						49
48				22374-7	VALVE, QUICK EXHAUST	48
47				22304-1	NIPPLE, HEX 1/8 NPT	47
46						46
45				690191-1	PLUG, NYLON	45
44				455674-1	RAM	44
43				690125-1	WASHER, LAMINATED	43
42				690124-1	WASHER, RAM	42
41				7-21002-9	BOLT, CRIMPER (5/16-24x1.00)	41
40				23241-6	BALL, STEEL	40
39				690170-1	SPRING, COMPRESSION	39
38				690142-1	DISC, INSULATION	38
37				354777-1	WIRE DISC, PLASTIC	37
36				22480-5	WASHER, SPRING	36
35				690212-1	POST, RAM	35
34						34
33						