

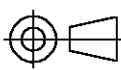

USED ON —

DWG NO
680314

SEE LATEST CUSTOMER DRAWING

THIS INFORMATION IS CONFIDENTIAL AND PROPRIETARY TO TYCO ELECTRONICS CORPORATION AND ITS WORLDWIDE SUBSIDIARIES AND AFFILIATES. IT MAY NOT BE DISCLOSED TO ANYONE, OTHER THAN TYCO ELECTRONICS PERSONNEL, WITHOUT WRITTEN AUTHORIZATION FROM TYCO ELECTRONICS CORPORATION, HARRISBURG, PENNSYLVANIA USA.

LOC
A
DIST
66

						DWN	26MAY05	CHK	-	APVD	-	
						M.YOUNGER		-		-		
						DIMENSIONS: INCHES			MATERIAL	-	HT TR	-
							TOLERANCES UNLESS OTHERWISE SPECIFIED:		 Tyco Electronics Corporation Harrisburg, Pa 17105-3608			
H	ECR 05-003620	5-05	MY	TE			0 PLC	±-		NAME SIDE FEED HDM APPLICATOR		
P	LTR	REVISION RECORD	DATE	DWN	APVD	1 PLC	±-					
						SURFACE TEXTURE		2 PLC	±-			
						-√-		3 PLC	±-			
THIS DRAWING IS A CONTROLLED DOCUMENT.								4 PLC	±-			
						SCALE	-	SIZE	A4	DRAWING NO	680314	
										SHEET	1	
										OF	1	
										REV	H	