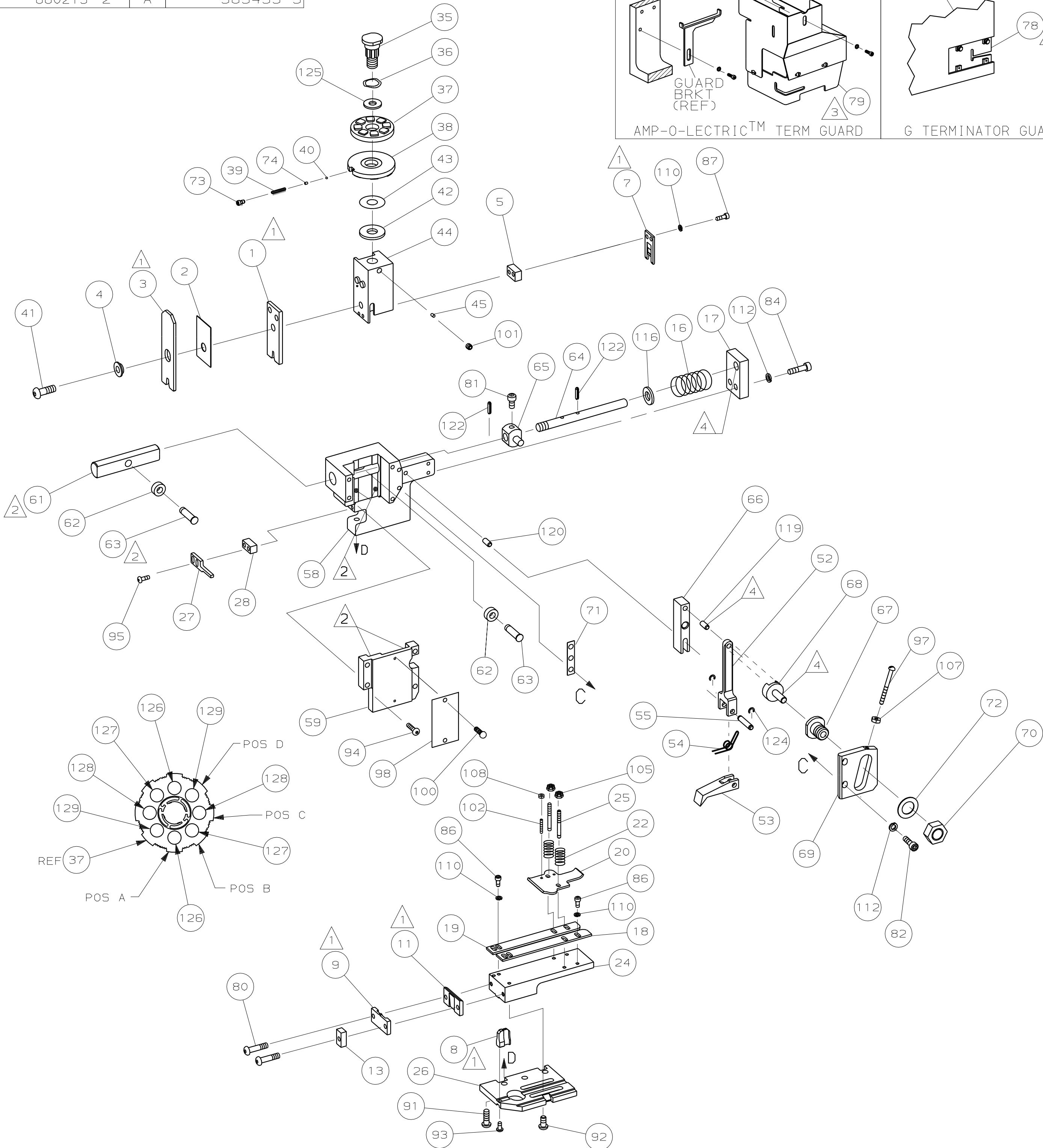
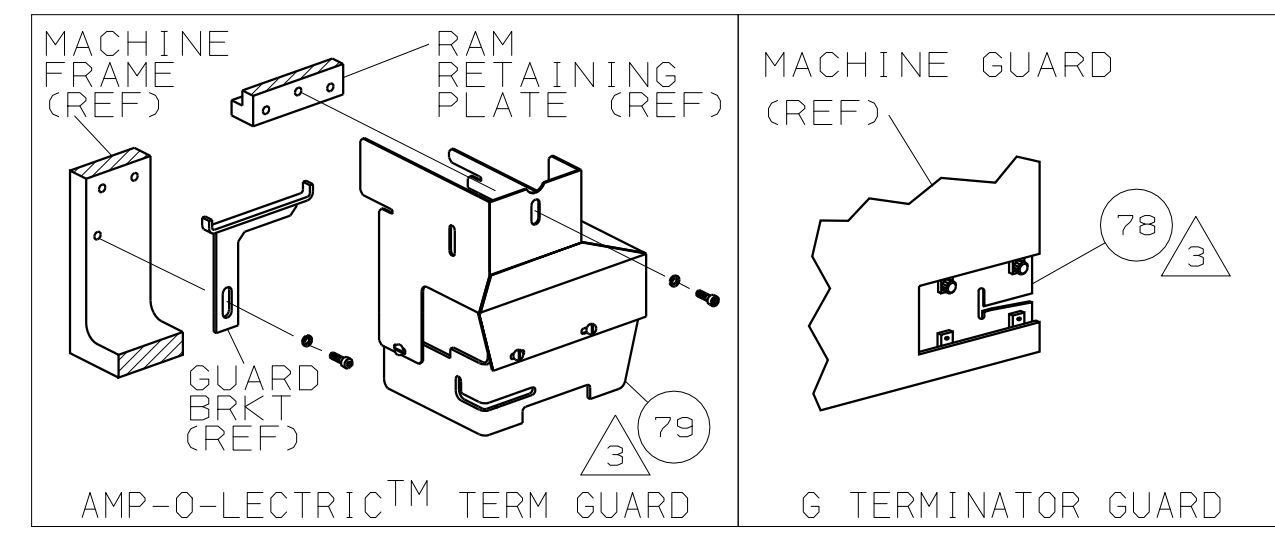


PART NUMBER	REV	FIRST USED
680219-1	A	122500-1
680219-2	A	565435-5



TERMINAL NAME: SQUARE TONGUE W/INSULATION SUPPORT					
PAD LTR	CRIMP HEIGHT		WIRE SIZE		
	A	.102 ±.002 [2.59 ±0.05mm]	2.5mm ²		
B	.092 ±.002 [2.34 ±0.05mm]	1.5mm ²			
C	.088 ±.002 [2.24 ±0.05mm]	1mm ²			
D	.085 ±.002 [2.16 ±0.05mm]	0.75mm ²			
CRIMP	SIZE	TYPE	RANGE		
WIRE	.140 [3.56mm]	F	0.75mm ² - 2.5mm ²		
INSUL	.180 [4.57mm]	F	ø4mm MAX		
WIRE STRIP LENGTH	TERM APPL SPEC	FEED	APPL INSTRUCTION	SET UP GAGE	LAYOUT
-	114-2084 114-2089	.855	408-8039	458638-1	L1691

-1 LEADMAKER & BENCH MODEL G		MECH POST FEED		
-2 BENCH MODEL K		MECH POST FEED		
REF	REF	- A	22594-8 NUT, HEX	70
REF	REF	- B	240628-1 PLATE, ADJ	69
REF	REF	- B	240626-1 SHAFT, PIVOT	68
REF	REF	- B	240633-1 BUSHING	67
REF	REF	- A	455680-1 LEVER, INTERMEDIATE	66
REF	REF	- B	240629-1 BLOCK, PIVOT	65
REF	REF	- A	240632-2 SCR, ADJ	64
REF	REF	- B	240659-3 PIN, CAM ROLLER	63
REF	REF	- B	240658-1 CAM, ROLLER	62
REF	REF	- B	454398-1 ROD, FEED	61
REF	REF	- C	454220-1 CAP, RAM	59
REF	REF	- D	453736-1 HOUSING	58
REF	REF	- B	240624-1 PIN, FEED FINGER	55
REF	REF	- B	691499-1 SPRING, FEED FINGER	54
REF	REF	- B	240635-1 FINGER, FEED	53
REF	REF	- B	240634-1 LEVER, TERMINAL	52
REF	REF	- C	5-21028-1 PIN, STD SPRING (ø.12) FD ADJ ROD	122
REF	REF	- A	1-21030-7 PIN, DOWEL (ø.187x1.50) HSG	120
REF	REF	- A	1-21030-1 PIN, DOWEL (ø.187x.50) LEVER	119
REF	REF	- A	21899-4 WASHER, FLAT (ø5/16) SCR ADJ	116
REF	REF	- A	21024-5 WASHER, LOCK (NO.10) FD ROD GDE	112
REF	REF	- A	21024-4 WASHER, LOCK (NO.8) SHEAR BL	110
REF	REF	- A	21018-4 NUT, HEX (4-40) DRAG	108
REF	REF	- A	21018-5 NUT, HEX (6-32) FD ADJ PL	107
REF	REF	- A	21022-2 NUT, HEX SL (8-32) DRAG STUD	105
REF	REF	- A	2-21006-6 SCR, SKT SET (4-40x.62) DRAG	102
REF	REF	- A	21009-2 SCR, SKT SET (1/4-20x.25) RAM	101
REF	REF	- A	21017-2 SCR, DRIVE (#2x.19) ID PLATE	100
REF	REF	- A	1-21002-7 SCR, BHC (6-32x.38) CAM	99
REF	REF	- B	461264-1 PLATE, IDENTIFICATION	98
REF	REF	- A	6-23715-5 SCR, PAN HD (6-32x1.50) FEED ADJ	97
REF	REF	- A	2-21002-2 SCR, BHC (8-32x.50) STRIPPER	95
REF	REF	- A	2-21002-9 SCR, BHC (10-32x.75) HSG CAP	94
REF	REF	- A	1-21002-3 SCR, BHC (8-32x.38 LW) ANVIL	93
REF	REF	- A	3-21002-3 SCR, BHC (1/4-20x.50) ST GD PL	92
REF	REF	- A	2-22733-8 SCR, BHC (1/4-20x.62) BASE PL	91
REF	REF	- A	3-21000-7 SCR, SHC (10-32x.75) FEED ROD GDE	84
REF	REF	- A	3-21000-6 SCR, SHC (10-32x.62) FEED ADJ PL	82
REF	REF	- A	3-21000-4 SCR, SHC (10-32x.38) PIVOT BLOCK	81
REF	REF	- A	3-21002-0 SCR, BHC (10-32x.88) SHEAR PL	80
REF	REF	- A	455745-1 GUARD, WINDOW	79
REF	REF	- A	679532-1 INSERT, GUARD	78
REF	REF	- A	23030-1 SCR, SKT CAP (6-32x.25) CP DSC	73
REF	REF	- A	458109-1 WASHER, FLAT (SPECIAL)	72
REF	REF	- A	690517-1 SPACER	71
REF	REF	- A	690603-1 SPRING, ASSIST	74
REF	REF	- A	2-21000-7 SCR, SHC (8-32x.50) SLUG BLADE	87
REF	REF	- A	2-21000-6 SCR, SHC (8-32x.38) STRIP GUIDE	86
REF	REF	- A	3-21000-7 SCR, SHC (10-32x.75) FEED ROD GDE	84
REF	REF	- A	3-21000-6 SCR, SHC (10-32x.62) FEED ADJ PL	82
REF	REF	- A	3-21000-4 SCR, SHC (10-32x.38) PIVOT BLOCK	81
REF	REF	- A	3-21002-0 SCR, BHC (10-32x.88) SHEAR PL	80
REF	REF	- A	455745-1 GUARD, WINDOW	79
REF	REF	- A	679532-1 INSERT, GUARD	78
REF	REF	- A	23030-1 SCR, SKT CAP (6-32x.25) CP DSC	73
REF	REF	- A	458109-1 WASHER, FLAT (SPECIAL)	72
REF	REF	- A	690517-1 SPACER	71
REF	REF	- A	690603-1 SPRING, ASSIST	74
REF	REF	- A	2-21000-7 SCR, SHC (8-32x.50) SLUG BLADE	87
REF	REF	- A	2-21000-6 SCR, SHC (8-32x.38) STRIP GUIDE	86
REF	REF	- A	3-21000-7 SCR, SHC (10-32x.75) FEED ROD GDE	84
REF	REF	- A	3-21000-6 SCR, SHC (10-32x.62) FEED ADJ PL	82
REF	REF	- A	3-21000-4 SCR, SHC (10-32x.38) PIVOT BLOCK	81
REF	REF	- A	3-21002-0 SCR, BHC (10-32x.88) SHEAR PL	80
REF	REF	- A	455745-1 GUARD, WINDOW	79
REF	REF	- A	679532-1 INSERT, GUARD	78
REF	REF	- A	23030-1 SCR, SKT CAP (6-32x.25) CP DSC	73
REF	REF	- A	458109-1 WASHER, FLAT (SPECIAL)	72
REF	REF	- A	690517-1 SPACER	71
REF	REF	- A	690603-1 SPRING, ASSIST	74
REF	REF	- A	2-21000-7 SCR, SHC (8-32x.50) SLUG BLADE	87
REF	REF	- A	2-21000-6 SCR, SHC (8-32x.38) STRIP GUIDE	86
REF	REF	- A	3-21000-7 SCR, SHC (10-32x.75) FEED ROD GDE	84
REF	REF	- A	3-21000-6 SCR, SHC (10-32x.62) FEED ADJ PL	82
REF	REF	- A	3-21000-4 SCR, SHC (10-32x.38) PIVOT BLOCK	81
REF	REF	- A	3-21002-0 SCR, BHC (10-32x.88) SHEAR PL	80
REF	REF	- A	455745-1 GUARD, WINDOW	79
REF	REF	- A	679532-1 INSERT, GUARD	78
REF	REF	- A	23030-1 SCR, SKT CAP (6-32x.25) CP DSC	73
REF	REF	- A	458109-1 WASHER, FLAT (SPECIAL)	72
REF	REF	- A	690517-1 SPACER	71
REF	REF	- A	690603-1 SPRING, ASSIST	74
REF	REF	- A	2-21000-7 SCR, SHC (8-32x.50) SLUG BLADE	87
REF	REF	- A	2-21000-6 SCR, SHC (8-32x.38) STRIP GUIDE	86
REF	REF	- A	3-21000-7 SCR, SHC (10-32x.75) FEED ROD GDE	84
REF	REF	- A	3-21000-6 SCR, SHC (10-32x.62) FEED ADJ PL	82
REF	REF	- A	3-21000-4 SCR, SHC (10-32x.38) PIVOT BLOCK	81
REF	REF	- A	3-21002-0 SCR, BHC (10-32x.88) SHEAR PL	80
REF	REF	- A	455745-1 GUARD, WINDOW	79
REF	REF	- A	679532-1 INSERT, GUARD	78
REF	REF	- A	23030-1 SCR, SKT CAP (6-32x.25) CP DSC	73
REF	REF	- A	458109-1 WASHER, FLAT (SPECIAL)	72
REF	REF	- A	690517-1 SPACER	71
REF	REF	- A	690603-1 SPRING, ASSIST	74
REF	REF	- A	2-21000-7 SCR, SHC (8-32x.50) SLUG BLADE	87
REF	REF	- A	2-21000-6 SCR, SHC (8-32x.38) STRIP GUIDE	86
REF	REF	- A	3-21000-7 SCR, SHC (10-32x.75) FEED ROD GDE	84
REF	REF	- A	3-21000-6 SCR, SHC (10-32x.62) FEED ADJ PL	82
REF	REF	- A	3-21000-4 SCR, SHC (10-32x.38) PIVOT BLOCK	81
REF	REF	- A	3-21002-0 SCR, BHC (10-32x.88) SHEAR PL	80
REF	REF	- A	455745-1 GUARD, WINDOW	79
REF	REF	- A	679532-1 INSERT, GUARD	78
REF	REF	- A	23030-1 SCR, SKT CAP (6-32x.25) CP DSC	73
REF	REF	- A	458109-1 WASHER, FLAT (SPECIAL)	72
REF	REF	- A	690517-1 SPACER	71
REF	REF	- A	690603-1 SPRING, ASSIST	74
REF	REF	- A	2-21000-7 SCR, SHC (8-32x.50) SLUG BLADE	87
REF	REF	- A	2-21000-6 SCR, SHC (8-32x.38) STRIP GUIDE	86
REF	REF	- A	3-21000-7 SCR, SHC (10-32x.75) FEED ROD GDE	84
REF	REF	- A	3-21000-6 SCR, SHC (10-32x.62) FEED ADJ PL	82
REF	REF	- A	3-21000-4 SCR, SHC (10-32x.38) PIVOT BLOCK	81
REF	REF	- A	3-21002-0 SCR, BHC (10-32x.88) SHEAR PL	80
REF	REF	- A	455745-1 GUARD, WINDOW	79
REF	REF	- A	679532-1 INSERT, GUARD	78
REF	REF	- A	23030-1 SCR, SKT CAP (6-32x.25) CP DSC	73
REF	REF	- A	458109-1 WASHER, FLAT (SPECIAL)	72
REF	REF	- A	690517-1 SPACER	71
REF	REF	- A	690603-1 SPRING, ASSIST	74
REF	REF	- A	2-21000-7 SCR, SHC (8-32x.50) SLUG BLADE	87
REF	REF	- A	2-21000-6 SCR, SHC (8-32x.38) STRIP GUIDE	86
REF	REF	- A	3-21000-7 SCR, SHC (10-32x.75) FEED ROD GDE	84
REF	REF	- A	3-21000-6 SCR, SHC (10-32x.62) FEED ADJ PL	82
REF	REF	- A	3-21000-4 SCR, SHC (10-32x.38) PIVOT BLOCK	81
REF	REF	- A	3-21002-0 SCR, BHC (10-32x.88) SHEAR PL	80
REF	REF	- A	455745-1 GUARD, WINDOW	79
REF	REF	- A	679532-1 INSERT, GUARD	78
REF	REF	- A	23030-1 SCR, SKT CAP (6-32x.25) CP DSC	73
REF	REF	- A	458109-1 WASHER, FLAT (SPECIAL)	72
REF	REF	- A	690517-1 SPACER	71
REF	REF	- A	690603-1 SPRING, ASSIST	74
REF	REF	- A	2-21000-7 SCR, SHC (8-32x.50) SLUG BLADE	87
REF	REF	- A	2-21000-6 SCR, SHC (8-32x.38) STRIP GUIDE	86
REF	REF	- A	3-21000-7 SCR, SHC (10-32x.75) FEED ROD GDE	84
REF	REF	- A	3-21000-6 SCR, SHC (10-32x.62) FEED ADJ PL	82
REF	REF	- A	3-21000-4 SCR, SHC (10-32x.38) PIVOT BLOCK	81
REF	REF	- A	3-21002-0 SCR, BHC (10-32x.88) SHEAR PL	80
REF	REF	- A	455745-1 GUARD, WINDOW	79
REF	REF	- A	679532-1 INSERT, GUARD	78
REF	REF	- A	23030-1 SCR, SKT CAP (6-32x.25) CP DSC	73
REF	REF	- A	458109-1 WASHER, FLAT (SPECIAL)	72
REF	REF	- A	690517-1 SPACER	71
REF	REF	- A	690603-1 SPRING, ASSIST	74
REF	REF	- A	2-21000-7 SCR, SHC (8-32x.50) SLUG BLADE	87
REF	REF	- A	2-21000-6 SCR, SHC (8-32x.38) STRIP GUIDE	86
REF	REF	- A	3-21000-7 SCR, SHC (10-32x.75) FEED ROD GDE	84
REF	REF	- A	3-21000-6 SCR, SHC (10-32x.62) FEED ADJ PL	82
REF	REF	- A	3-21000-4 SCR, SHC (10-32x.38) PIVOT BLOCK	81
REF	REF	- A	3-21002-0 SCR, BHC (10-32x.88) SHEAR PL	80
REF	REF	- A	455745-1 GUARD, WINDOW	79
REF	REF	- A	679532-1 INSERT, GUARD	78
REF	REF	- A	23030-1 SCR, SKT CAP (6-32x.25) CP DSC	73
REF	REF	- A	458109-1 WASHER, FLAT (SPECIAL)	72
REF	REF	- A	690517-1 SPACER	71
REF	REF	- A	690603-1 SPRING, ASSIST	74
REF	REF	- A	2-21000-7 SCR, SHC (8-32x.50) SLUG BLADE	87
REF	REF	- A	2-21000-6 SCR, SHC (8-32x.38) STRIP GUIDE	86
REF	REF	- A	3-21000-7 SCR, SHC (10-32x.75) FEED ROD GDE	84
REF	REF	- A	3-21000-6 SCR, SHC (10-32x.62) FEED ADJ PL	82
REF	REF	- A	3-21000-4 SCR, SHC (10-32x.38) PIVOT BLOCK	81
REF	REF	- A	3-21002-0 SCR, BHC (10-32x.88) SHEAR PL	80
REF	REF	- A	455745-1 GUARD, WINDOW	79
REF	REF	- A	679532-1 INSERT, GUARD	78
REF	REF	- A	23030-1 SCR, SKT CAP (6-32x.25) CP DSC	73
REF	REF	- A	458109-1 WASHER, FLAT (SPECIAL)	72
REF	REF	- A	690517-1 SPACER	71
REF	REF	- A	690603-1 SPRING, ASSIST	74
REF	REF	- A	2-21000-7 SCR, SHC (8-32x.50) SLUG BLADE	87
REF	REF	- A	2-21000-6 SCR, SHC (8-32x.38) STRIP GUIDE	86
REF	REF	- A	3-21000-7 SCR, SHC (10-32x.75) FEED ROD GDE	84
REF	REF	- A	3-21000-6 SCR, SHC (10-32x.62) FEED ADJ PL	82
REF	REF	- A	3-21000-4 SCR, SHC (10-32x.38) PIVOT BLOCK	81
REF	REF	- A	3-21002-0 SCR, BHC (10-32x.88) SHEAR PL	80
REF	REF	- A	455745-1 GUARD, WINDOW	79
REF	REF	- A	679532-1 INSERT, GUARD	78
REF	REF	- A	23030-1 SCR, SKT CAP (6-32x.25) CP DSC	73
REF	REF	- A	458109-1 WASHER, FLAT (SPECIAL)	72
REF	REF	- A	690517-1 SPACER	71