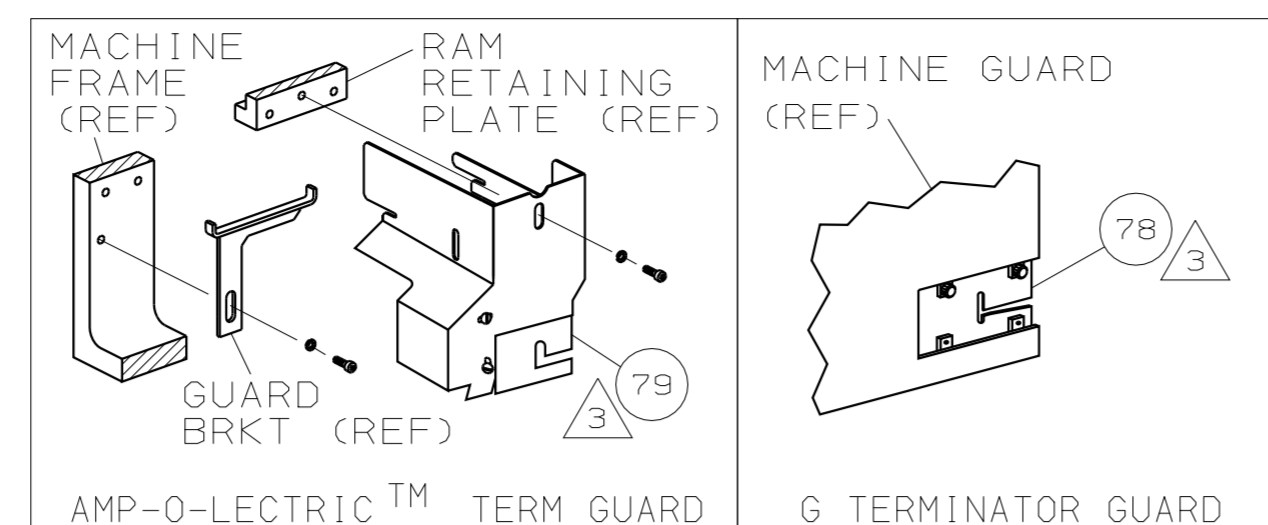


PART NUMBER	REV	FIRST USED
567377-2	C	565435-5
567377-3	C	354500-1



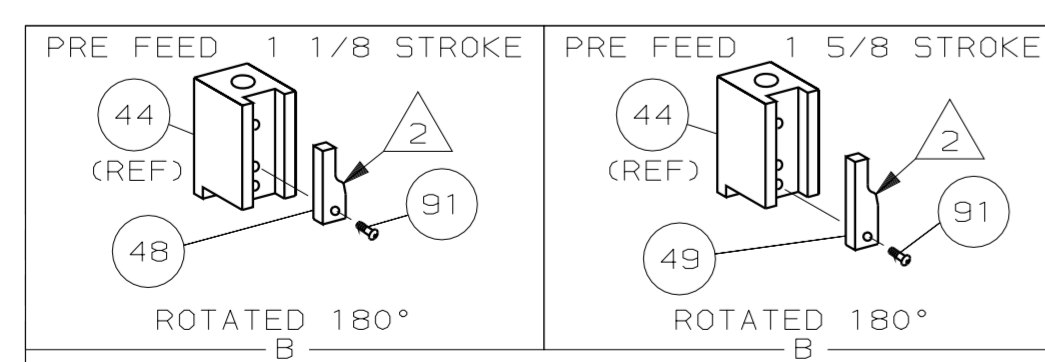
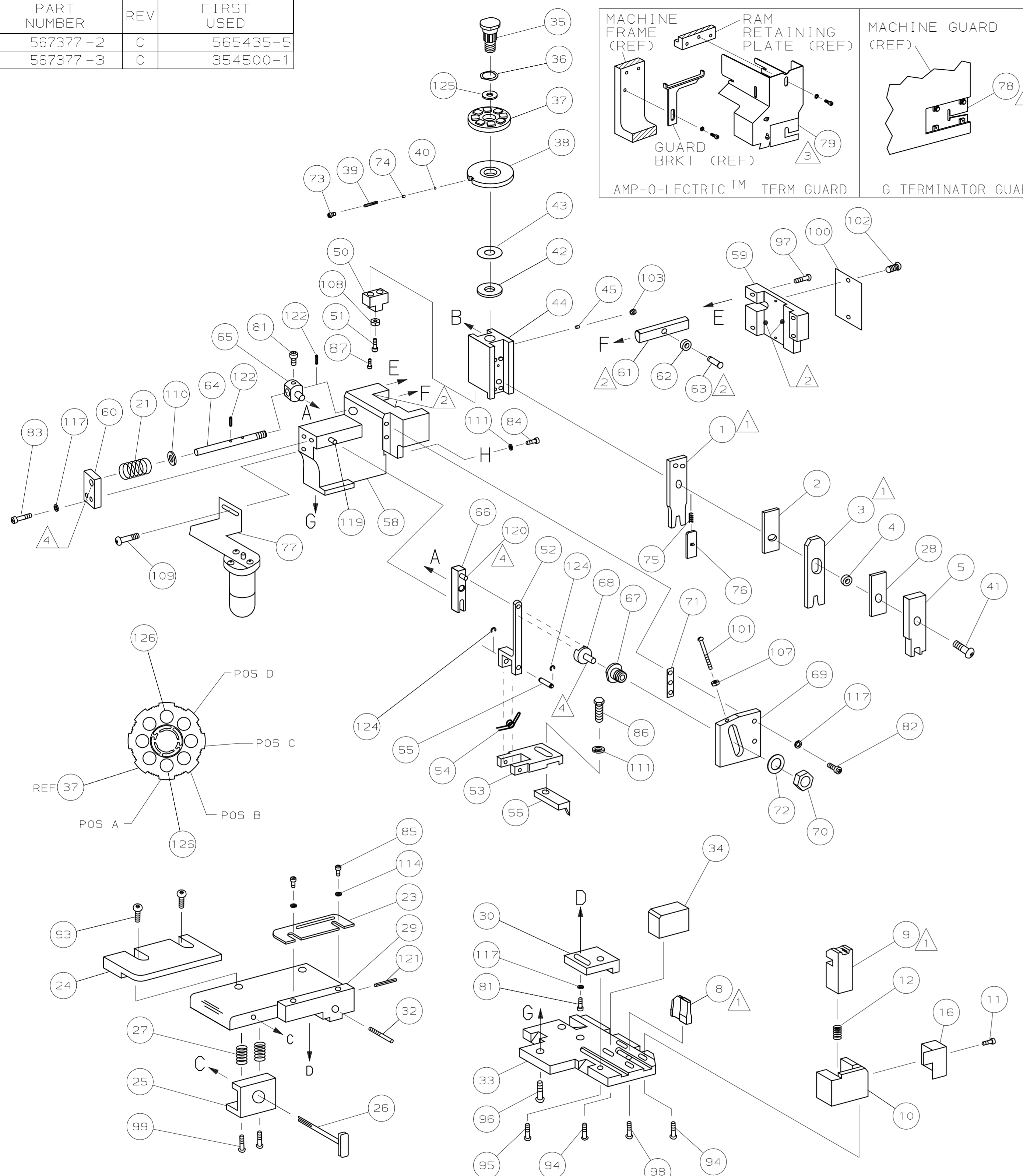
PAD LTR		CRIMP HEIGHT		WIRE SIZE	
A		.033 ±.002 [0.84 ±0.05mm]		29 COAX	
B		NOT		USED	
C		NOT		USED	
D		NOT		USED	
CRIMP	SIZE	TYPE	RANGE		
WIRE	.036 [0.91mm]	F	29		
INSUL	.090 [2.29mm]	0	.046-.080		
WIRE STRIP LENGTH	TERM APPL SPEC	FEED	APPL INSTRUCTION	SET UP GAGE	LAYOUT
-	-	.350	408-8040	458637-1	L1384

-2	BENCH MODEL K	MECH PRE FEED
-3	BENCH MODEL G	MECH PRE FEED

1	1	-	B	22594-8	NUT, HEX (1/2-20)	70
1	1	-	B	240628-1	PLATE, ADJUSTMENT	69
1	1	-	B	240626-1	SHAFT, PIVOT	68
1	1	-	B	240633-1	BUSHING	67
1	1	-	A	455680-1	LEVER, INTERMEDIATE	66
1	1	-	B	240629-1	BLOCK, PIVOT	65
1	1	-	A	240632-2	SCREW, ADJ FEED ROD	64
1	1	-	B	240659-3	PIN, CAM ROLLER	63
1	1	-	B	240658-1	ROLLER, CAM	62
1	1	-	B	454398-2	ROD, FEED	61
1	1	-	A	454178-1	GUIDE, FEED ROD	60
1	1	-	C	454220-1	CAP, RAM	59
1	1	-	D	454485-1	HOUSING	58
						57
1	1	-	B	690542-2	PAWL, FEED	56
1	1	-	B	240624-1	PIN, FEED FINGER	55
1	1	-	B	691499-1	SPRING, FEED FINGER	54
1	1	-	A	690541-1	HOLDER, FEED FINGER	53
1	1	-	B	455679-1	LEVER, TERMINAL FEED ARM	52
1	1	-	A	811242-2	BUMPER, HOLDDOWN	51
1	1	-	A	844419-1	SPACER, TONKER	50
1	-	-	B	690602-6	CAM, PRE-FEED 1 5/8 ST	49
-	1	-	B	690602-5	CAM, PRE-FEED 1 1/8 ST	48
						47
						46
1	1	-	A	690191-1	PLUG, NYLON	45
1	1	-	C	853076-1	RAM	44
1	1	-	A	690125-1	WASHER, LAMINATED	43
1	1	-	A	690124-1	WASHER, RAM	42
1	1	-	A	7-21002-9	BOLT, CRIMPER (5/16x1.00)	41
1	1	-	A	23241-6	BALL, STEEL	40
1	1	-	A	690170-1	SPRING, COMPRESSION	39
1	1	-	C	690142-1	DISC, INSULATION	38
1	1	-	D	354777-1	WIRE DISC, PLASTIC	37
1	1	-	A	22480-5	WASHER, SPRING	36
1	1	-	B	690212-1	POST, RAM	35
1	1	-	B	690786-1	SUPPORT, TERMINAL	34
1	1	-	D	455675-1	PLATE, BASE	33
1	1	-	A	690432-3	SCREW, ADJUSTMENT	32
						31
1	1	-	B	455689-1	BLOCK, STRIP GUIDE ADJ	30
1	1	-	C	2-455671-6	PLATE, STRIP GUIDE	29
1	1	-	C	1-455888-0	SPACER, FRONT SHEAR DEP	28
2	2	-	A	1-22284-0	SPRING, DRAG	27
1	1	-	B	690546-1	LEVER, DRAG RELEASE	26
1	1	-	B	240792-1	DRAG, TERMINAL	25
1	1	-	D	9-690504-5	GUIDE, STRIP (REAR)	24
1	1	-	A	690438-1	GUIDE, STRIP (FRONT)	23
						22
1	1	-	A	4-22284-9	SPRING, FEED RETURN	21
1	1	-	A	679218-1	STRIPPER WIRE STOP ASSY	20
1	1	-	B	458949-1	STRIPPER	19
						18
						17
1	1	-	B	691667-1	GUARD, CHIP (FRONT)	16
						15
						14
						13
1	1	-	A	5-22280-0	SPRING, SHEAR	12
1	1	-	B	690461-1	STOP, SHEAR	11
1	1	-	C	690459-1	HOLDER, SHEAR (FRONT)	10
1	1	-	C	462006-1	SHEAR, FLOAT (FRONT)	9
1	1	-	C	854014-3	ANVIL	8
						7
						6
1	1	-	C	1-455889-3	DEPRESSOR, SHEAR (FRONT)	5
1	1	-	B	238011-2	SPACER, BLOCK CRIMPER	4
1	1	-	C	844991-2	CRIMPER, INSULATION	3
1	1	-	C	693184-5	SPACER, CRIMPER	2
1	1	-	C	854055-1	CRIMPER, WIRE	1

THIS DRAWING IS A CONTROLLED DOCUMENT FOR AMP INCORPORATED. IT IS SUBJECT TO CHANGE AND THE CONTROLLING ENGINEERING ORGANIZATION SHOULD BE CONTACTED FOR THE LATEST REVISION.

THIS INFORMATION IS CONFIDENTIAL AND IS DISCLOSED TO YOU ON CONDITION THAT NO FURTHER DISCLOSURE IS MADE BY YOU TO OTHER THAN AMP PERSONNEL WITHOUT WRITTEN AUTHORIZATION FROM AMP INCORPORATED, HARRISBURG, PA.



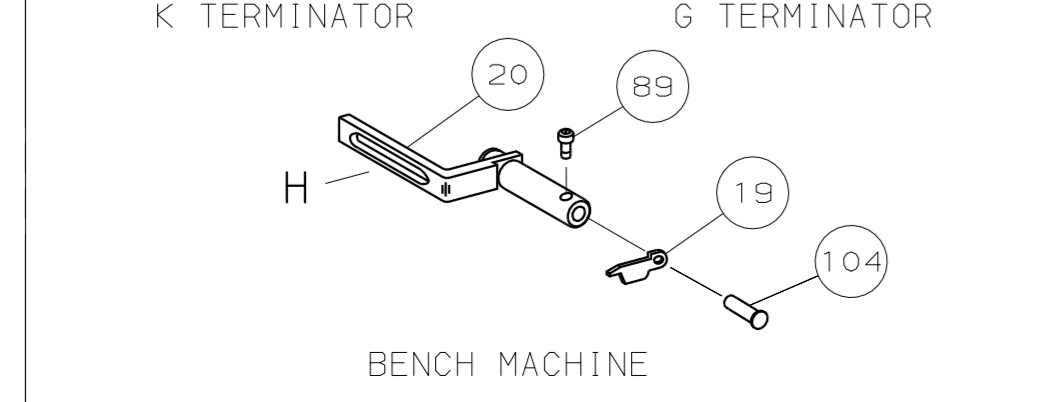
- 1 RECOMMENDED SPARE PARTS.
- 2 GREASE LIGHTLY.
- 3 GUARD MUST BE IN PLACE WHEN OPERATING APPLICATOR IN A BENCH MACHINE.
- 4 LUBRICATE DAILY USING NO. 20 MACHINE OIL.

QTY	REF	U/M	DWG SIZE	PART NO	DESCRIPTION	ITEM NO
						129
						128
						127
2	2	-	C	5-354779-6	PIN, WIRE DISC (.3270)A	126
1	1	-	A	986950-1	WASHER, FLAT PRECISION	125
2	2	-	A	21045-3	RING, RET "C" (Ø.187)FD FING PIN	124
						123
2	2	-	A	5-21028-1	PIN, SLT SPR (Ø.125x.50) ADJ ROD	122
1	1	-	A	4-21028-0	PIN, SLT SPR (Ø.093x.75) ST GDE PL	121
1	1	-	A	1-21030-1	PIN, DOWEL (Ø.187x.50) LEVER	120
1	1	-	A	1-21030-6	PIN, DOWEL (Ø.187x1.25) HOUSING	119
						118
5	5	-	A	21024-5	WASHER, LOCK (#10) ADJ BLOCK	117
						116
						115
2	2	-	A	21024-2	WASHER, LOCK (#4) FRONT STP GUIDE	114
						113
						112
2	2	-	A	21024-4	WASHER, LOCK (#8) STRIPPER	111
1	1	-	A	21899-4	WASHER, FLAT (Ø5/16) SCREW ADJ	110
-	1	-	A	2-21002-6	SCR, BHC (10-32x.38) LUBE ASSY	109
						108
2	2	-	A	21018-5	NUT, HEX (6-32) FEED ADJ	107
						106
						105
1	1	-	A	992031-1	PIN, CLEVIS	104
1	1	-	A	21009-2	SCR, SKT SET (1/4-20x.25 LW) RAM	103
2	2	-	A	21017-2	SCR, DRIVE (#2x.19) ID PLATE	102
1	1	-	A	6-23715-5	SCR, PAN HD (6-32x1.50) FEED ADJ	101
1	1	-	B	461264-1	PLATE, IDENTIFICATION	100
2	2	-	A	3-21002-0	SCR, BHC (10-32x.88) DRAG	99
1	1	-	A	22733-8	SCR, BHC (8-32x.38 LW) ANVIL	98
2	2	-	A	2-21002-9	SCR, BHC (10-32x.75) CAP	97
3	3	-	A	2-22733-8	SCR, BHC (1/4-20x.62) HOUSING	96
1	1	-	A	2-21002-7	SCR, BHC (10-32x.50) SG ADJ BLOCK	95
4	4	-	A	2-21002-2	SCR, BHC (8-32x.50) TERM H DWN	94
2	2	-	A	2-21002-1	SCR, BHC (8-32x.38) R STP GDE	93
						92
1	1	-	A	1-21002-7	SCR, BHC (6-32x.38) CAM	91
						90
1	1	-	A	7-21000-9	SCR, SHC (4-40x.19) STRIPPER	89
						88
2	2	-	A	1-21000-6	SCR, SHC (4-40x.62)	87
1	1	-	A	2-22603-0	SCR, HEX HD (8-32x.31) FEED FINGER	86
2	2	-	A	1-21000-3	SCR, SHC (4-40x.25) F ST GUIDE	85
1	1	-	A	2-21000-7	SCR, SHC (8-32x.50) STRIPPER	84
2	2	-	A	3-21000-7	SCR, SHC (10-32x.75) FEED ROD GD	83
2	2	-	A	3-21000-6	SCR, SHC (10-32x.62) FEED ADJ BLK	82
2	2	-	A	3-21000-4	SCR, SHC (10-32x.38) SG ADJ BL	81
						80
-	REF	-	B	455749-1	GUARD, WINDOW	79
REF	-	-	B	679532-1	INSERT, GUARD	78
-	1	-	C	1-465184-0	LUBRICATOR ASSY	77
1	1	-	A	693183-1	DEPRESSOR, WIRE	76
1	1	-	A	1-23147-2	SPRING	75
1	1	-	A	690603-1	SPRING, ASSIST	74
1	1	-	A	23030-1	SCR, SHC (6-32x.25 SL) INS DISC	73
1	1	-	A	458109-1	WASHER, SPECIAL	72
1	1	-	A	690517-1	SPACER	71

QTY	REF	U/M	DWG SIZE	PART NO	DESCRIPTION	ITEM NO
-3	-2					

QTY	REF	U/M	DWG SIZE	PART NO	DESCRIPTION	ITEM NO
-3	-2					

LOC A  
DIST 66



DIMENSIONS IN INCHES. DO NOT SCALE PRINT. TOLERANCES UNLESS OTHERWISE SPECIFIED:  
 2 PLC DEC ±  
 3 PLC DEC ±  
 4 PLC DEC ±  
 ANGLES ±  
 SURF TEXTURE: ✓  
 REMOVE BURRS, BREAK SHARP EDGES R.015 MAX

MATL	HT TR	FIN
-	-	-

DR 8/30/95 APP 9-19-95  
 D.SALTZER T.BEDDICK  
 CHK 9-19-95 REL 9/29/95  
 C.ERISMAN B. MORGAN

**AMP** AMP Incorporated Harrisburg, PA 17105-3608

NAME: SIDE FEED HDM APPLICATOR MACHINE REF: MINI APPL  
 SCALE: D DWG NO: 567377 SHEET: 1 OF 1 REV: C