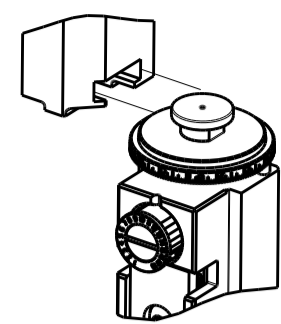


PART NUMBER	REVISION	DESCRIPTION	FEED TYPE
2837216-2	B	FINE CRIMP HEIGHT ADJUST	PNEUMATIC
7-2837216-2	B	PNEUMATIC AND CRIMP TOOLING KIT	PNEUMATIC
7-2837216-7	A	CRIMP TOOLING KIT	-

ATLANTIC VERSION TERMINATOR INTERFACE ADAPTER

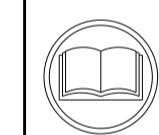


APPLICATOR DATA		
CRIMP	SIZE	TYPE
WIRE	3.90 mm [.154]	F
INSUL	5.40 mm [.213]	F

APPLICATOR INSTRUCTIONS
408-35042

TERMINAL DATA: YAZAKI TERMINAL YAZAKI CRIMP SPECIFICATION			
TERMINAL NAME: SEL 250 TYPE TERMINAL FEMALE			
WIRE STRIP LENGTH		TERMINAL INSULATION DIAMETER RANGE	
5.40-5.60 mm [.213-.220 IN]		Ø3.50-4.90 mm [.138-.193 IN]	
TERMINAL APPLICATION SPECIFICATION	72WT101830 Rev 2/28/2018		
TERMINALS APPLIED			
TE TERMINAL	YAZAKI TERMINAL	TE TERMINAL	YAZAKI TERMINAL
3311169-1	7116-2954	3311169-2	7116-2954-02

WIRE SIZE	CRIMP HEIGHT mm [INCH]	CRIMP HEIGHT REFERENCE SETTING
5.00mm ² or 10AWG	2.15+/-0.05 [.085+/- .002]	8.3



- ▲ RECOMMENDED SPARE PARTS
 - ▲ REFER TO SUPPLIED INSTRUCTION SHEET FOR CLEANING, LUBRICATION AND STORAGE OF APPLICATOR.
 - ▲ APPLY PART NUMBER 2-23419-6 LOCTITE TO THREADS OF ITEM 242.
 - ▲ CRIMP HEIGHT REFERENCE SETTING WAS THE SETTING USED WHEN THE APPLICATOR WAS QUALIFIED AT THE FACTORY. ADJUSTMENT MAY BE NECESSARY WHEN RUNNING APPLICATOR IN THE FIELD.
 - ▲ TERMINAL PITCH NOT COMPATIBLE WITH MECHANICAL FEED.
6. UNLESS SPECIFIED OTHERWISE TORQUE VALUES SHALL BE USED PER DOCUMENT, 101-35000.

***WARNING**
ON INSTALLATION, SET WIRE DISC TO CRIMP HEIGHT REFERENCE SETTING FOR LARGEST WIRE SIZE. CRIMP HEIGHT REFERENCE SETTINGS GREATER THAN THE VALUE SHOWN MAY CAUSE DAMAGE TO THE CRIMP TOOLING, REFER TO THE INSTRUCTION SHEET FOR PROPER SETUP AND ADJUSTMENTS.

ATLANTIC VERSION
Shown on sheets 1 of 4 & 2 of 4
(Pacific version shown on sheets 3 of 4 & 4 of 4)

LOC	DIST	REVISIONS					
A	66	P	LTN	DESCRIPTION	DATE	OWN	APVD
		1		DEVELOPMENT	28MAR2018	TB	TE
		A		RELEASE	04MAY2018	AW	CT
		B		ECR-19-002480	15FEB2019	FJ	YY

-	1	1	2119640-1	PUSH ROD, AIR FEED	250
-	1	1	1803259-1	BUSHING, FLANGED	249
-	1	1	2119641-1	FEED CAM, AIR FEED	248
-	1	1	2119082-3	CAM, SNAIL, INSULATION ADJUSTMENT	244
-	1	1	2079764-1	WASHER, WAVE SPRING, CREST-TO-CREST	243
-	1	1	2119083-1	RETAINER, INSULATION DIAL	242
-	1	1	7-18023-7	SCR, SKT HD CAP M3 X 4.0	241
-	1	1	2063440-2	AIR FEED MODULE	238
-	2	2	21045-3	RING, RETAIN, EXTERN, 3/16 CRESCENT	172
-	REF	REF	994970-2	COUNTER, MAGNETIC	164
-	1	1	240638-1	SPRING, FEED FINGER	163
-	1	1	3-23627-7	PIN, RETAIN, GRVD, 3/16 X .854	137
-	1	1	2119799-1	HOLDER, FEED FINGER, AF	136
-	1	1	2844908-1	SCREW, LOCKING	99
-	1	1	2844907-1	POST, LOCKING	98
-	1	1	455888-4	SPACER, CRIMPER	82
-	1	1	1803607-1	DOCUMENTATION PACKAGE	71
-	1	1	2119740-1	TAG, IDENTIFICATION	67
-	2	2	2168078-1	SCREW, DRIVE, RH, RoHS, 2 x .188	66
-	1	1	2168083-2	SCR, SKT HD CAP, RoHS, M4 X 8.0	60
-	1	1	5-18022-5	SCR, HEX HD CAP, M4 X 6.0	59
-	1	1	1338683-8	FEED PAWL	56
-	4	4	2168083-3	SCR, SKT HD CAP, RoHS, M4 X 12.0	54
-	2	2	2168083-3	SCR, SKT HD CAP, RoHS, M4 X 12.0	53
-	1	1	1803382-2	HOLD DOWN, SPRING LOADED	50
-	1	1	18023-9	SCR, SKT HD CAP M4 X 6.0	49
-	1	1	1803583-9	APPLICATOR BASIC ASSEMBLY, SF	46
-	1	1	1803515-1	RAM ASSEMBLY, SF ATLANTIC	44
-	1	1	1803602-1	SCR, BHSC, RoHS (M8 X 25)	41
-	1	1	2-1752356-0	SUPPORT, TERMINAL	34
-	2	2	2079383-5	SCR, BHSC, RoHS (M4 X 20)	33
-	2	2	2-2844962-8	SPACER, CYLINDRICAL, STRIP GUIDE	30
-	1	1	2844992-1	ASSEMBLY, STRIP GUIDE	29
-	1	1	1-455888-0	SPACER, CRIMPER	28
-	1	1	1320928-2	STRIP GUIDE	24
-	1	1	2168083-2	SCR, SKT HD CAP, RoHS, M4 X 8.0	21
-	2	2	1-18028-2	WASHER, FLAT, REG M4	20
-	1	1	2119533-1	STRIPPER, SIDE FEED	19
-	1	1	2119806-1	INSERT, SHEAR	13
-	1	1	3-22280-3	SPRING, COMPRESSION	12
-	1	1	1-356885-3	STOP, SHEAR	11
-	1	1	2119805-1	SHEAR HOLDER, FRONT	10
-	1	1	1803095-1	FLOATING SHEAR, FRONT	9
-	1	2	1-1803608-3	ANVIL, COMBINATION	8
-	1	1	1-240641-6	SPACER	7
-	-	-	-	-	6
-	1	1	2119757-8	DEPRESSOR, SHEAR	5
-	1	1	3-238011-5	BLOCK, CRIMPER SPACER	4
-	1	2	1-1803614-1	CRIMPER, INSULATION F	3
-	1	1	455888-1	SPACER, CRIMPER	2
-	1	2	7-1803470-6	CRIMPER, WIRE F	1

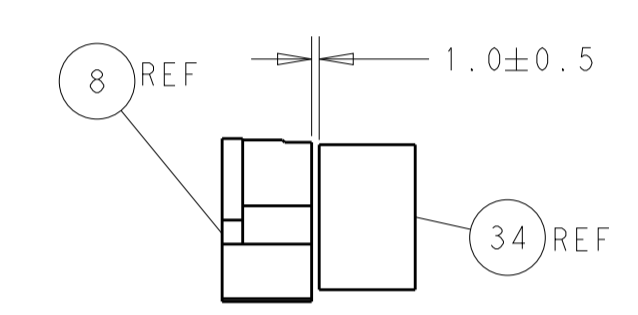
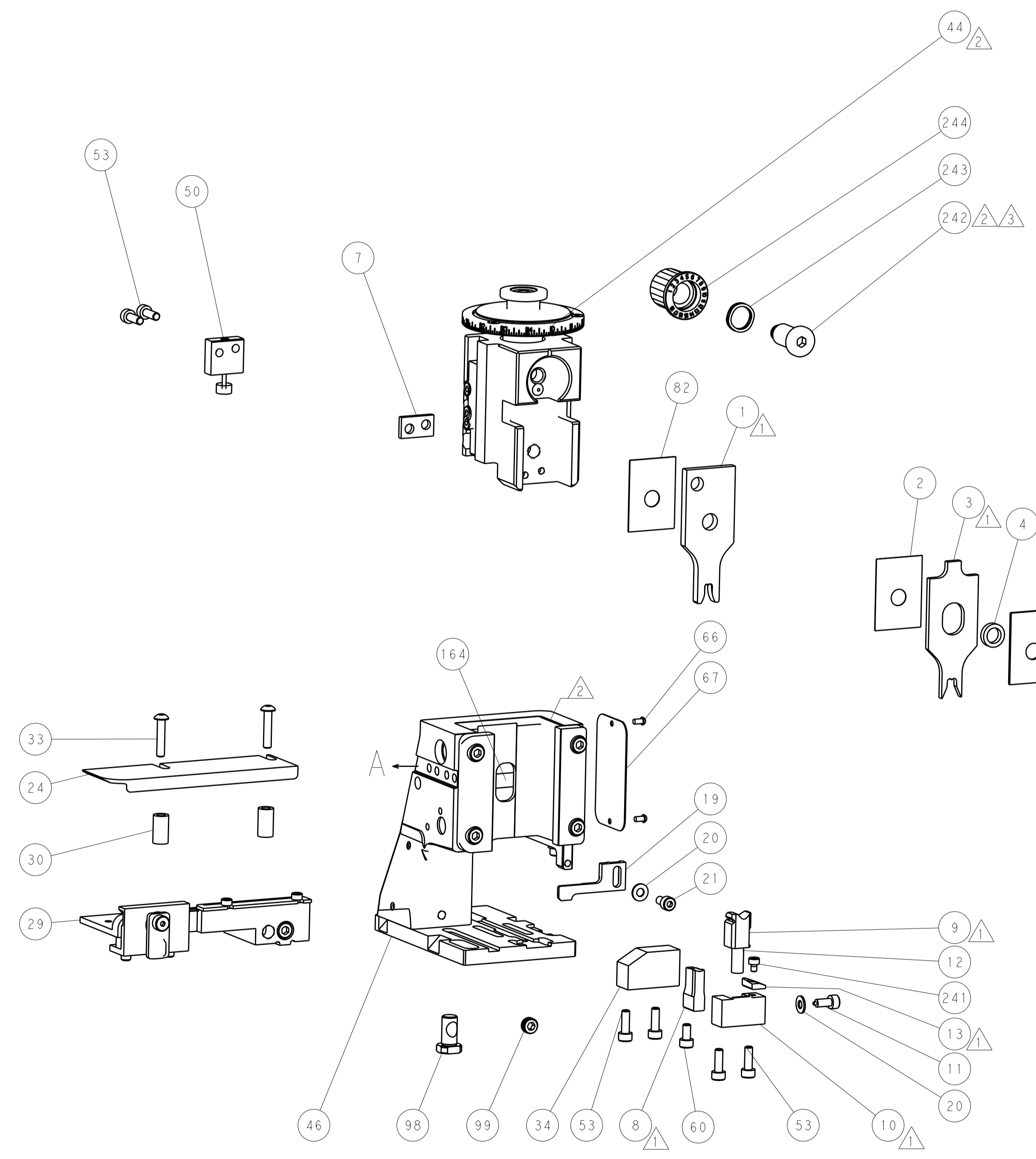
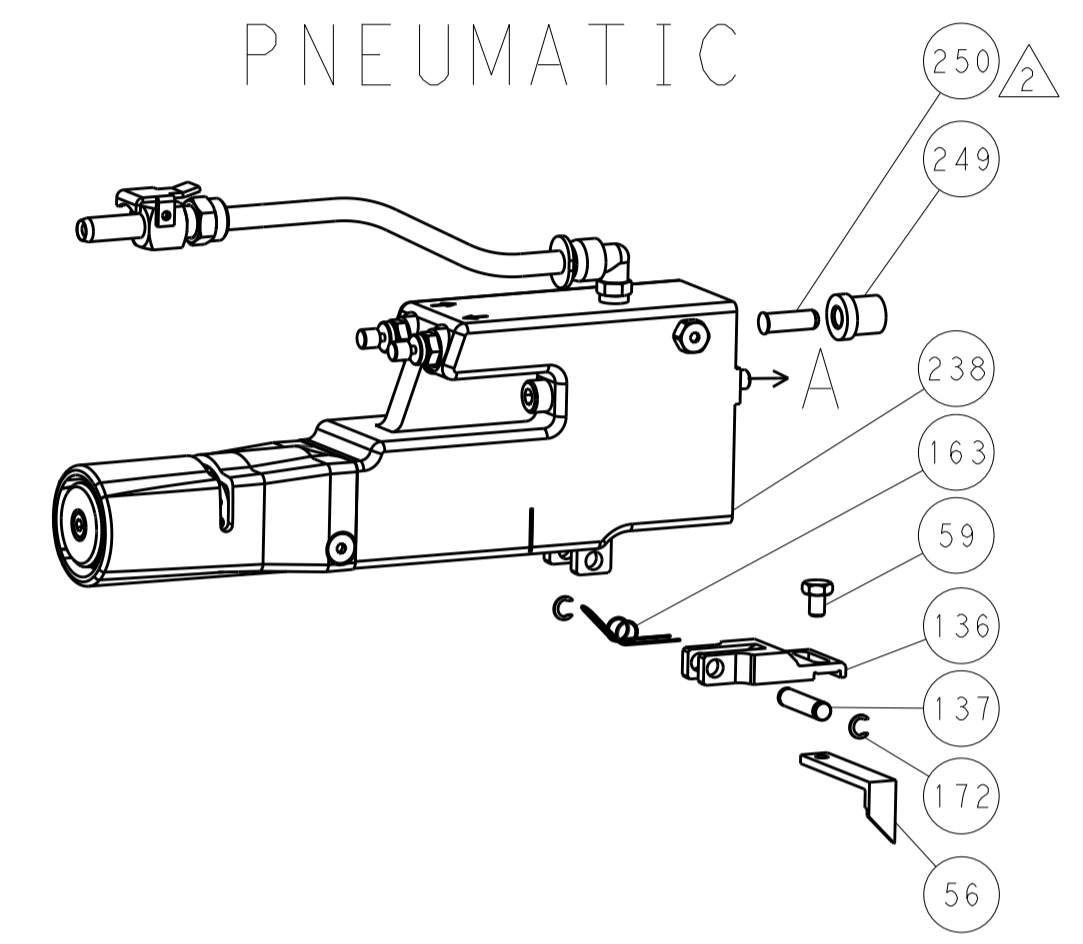
DIMENSIONS: mm		TOLERANCES UNLESS OTHERWISE SPECIFIED:		OWN T. BROOKENS 28MAR2018		CHK R. KNEPPER 28MAR2018		APVD T. ELBIN 28MAR2018		NAME Ocean Side Feed Applicator	
0 PLC	±	1 PLC	±	2 PLC	±	3 PLC	±	4 PLC	±	SIZE	CAGE CODE
ANGLES	±	FINISH	±	WEIGHT		SCALE		SHEET		REV	
MATERIAL		FINISH		WEIGHT		SCALE		SHEET		REV	
-		-		-		1:2		1 OF 4		B	

LOC	DIST	REV	DATE	BY	APPV
A	66				

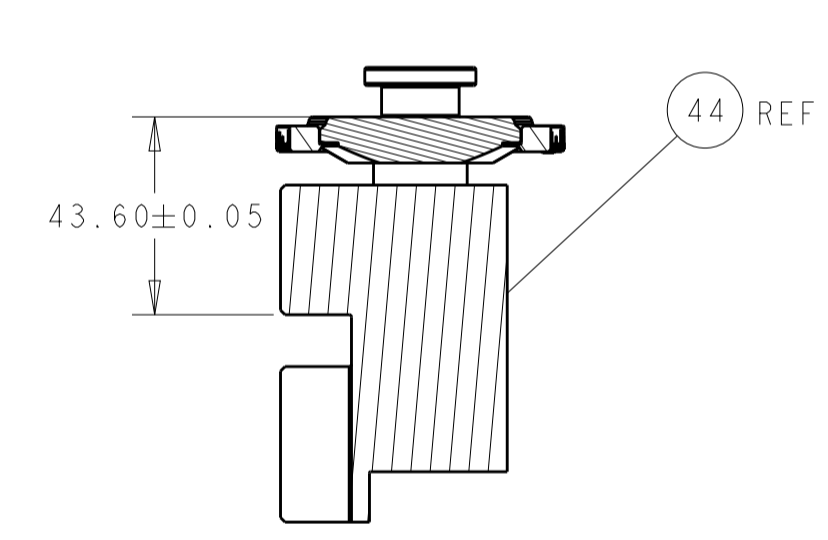
REVISIONS					
REV	DATE	DESCRIPTION	BY	APPV	DATE
-	-	SEE SHEET 1	-	-	-

FEED TYPE

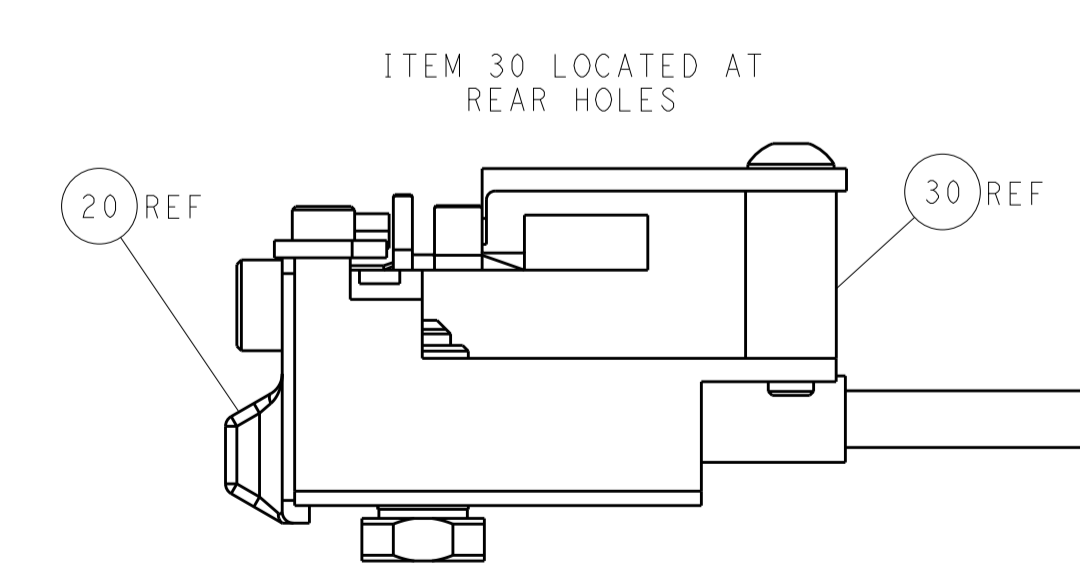
PNEUMATIC



TERMINAL SUPPORT LOCATION

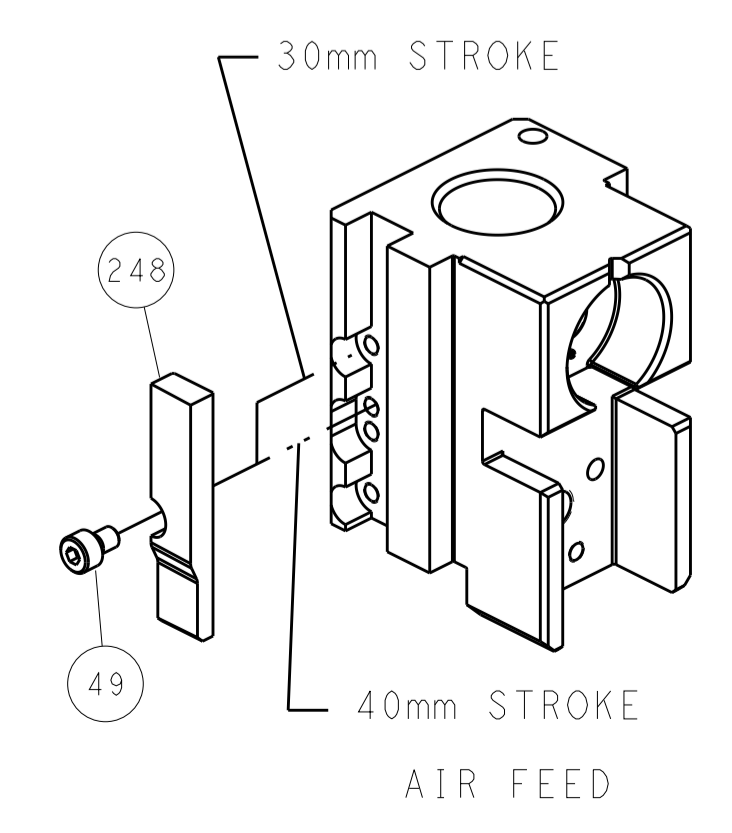


RAM SET-UP



FEED TRACK POSITION GUIDE BY WIRE BARREL

CAM POSITION



ATLANTIC VERSION
 Shown on sheets 1 of 4 & 2 of 4
 (Pacific version shown on sheets 3 of 4 & 4 of 4)

DIMENSIONS: mm 		TOLERANCES UNLESS OTHERWISE SPECIFIED: 0 PLC ± 1 PLC ± 2 PLC ± 3 PLC ± 4 PLC ± ANGLES ±		DWN T. BROOKS 28MAR2018 CHK R. KNEPPER 28MAR2018 APVD T. ELBIN 28MAR2018		TE Connectivity Harrisburg, PA 17105-3608	
MATERIAL:		FINISH:		WEIGHT:		SIZE: A1 CAGE CODE: 00779 DRAWING NO: 2837216	
Customer Accessible Production Drawing				SCALE: 1:2		SHEET 2 OF 4 REV B	

THIS DRAWING IS UNPUBLISHED.	RELEASED FOR PUBLICATION		
COPYRIGHT 20 BY TYCO ELECTRONICS CORPORATION. ALL RIGHTS RESERVED.			
PART NUMBER	REVISION	DESCRIPTION	FEED TYPE
2-2837216-2	B	FINE CRIMP HEIGHT ADJUST	PNEUMATIC
7-2837216-7	A	CRIMP TOOLING KIT	-

PACIFIC VERSION TERMINATOR
INTERFACE ADAPTER



APPLICATOR DATA		
CRIMP	SIZE	TYPE
WIRE	3.90 mm [1.54]	F
INSUL	5.40 mm [2.13]	F
APPLICATOR INSTRUCTIONS 408-35042		

TERMINAL DATA: YAZAKI TERMINAL YAZAKI CRIMP SPECIFICATION	
TERMINAL NAME: SEL 250 TYPE TERMINAL FEMALE	
WIRE STRIP LENGTH 5.40-5.60 mm [2.13-.220 IN]	TERMINAL INSULATION DIAMETER RANGE 3.50-4.90 mm [1.38-.193 IN]
TERMINAL APPLICATION SPECIFICATION 72WT101830 Rev 2/28/2018	
TERMINALS APPLIED	
TE TERMINAL	YAZAKI TERMINAL
3311169-1	7116-2954
TE TERMINAL	YAZAKI TERMINAL
3311169-2	7116-2954-02

WIRE SIZE	CRIMP HEIGHT mm [INCH]	CRIMP HEIGHT REFERENCE SETTING
5.00mm ² or 10AWG	2.15+/-0.05 [1.085+/-0.02]	8.3



- 1 RECOMMENDED SPARE PARTS
- 2 REFER TO SUPPLIED INSTRUCTION SHEET FOR CLEANING, LUBRICATION AND STORAGE OF APPLICATOR.
- 3 APPLY PART NUMBER 2-23419-6 LOCTITE TO THREADS OF ITEM 242.
- 4 CRIMP HEIGHT REFERENCE SETTING WAS THE SETTING USED WHEN THE APPLICATOR WAS QUALIFIED AT THE FACTORY. ADJUSTMENT MAY BE NECESSARY WHEN RUNNING APPLICATOR IN THE FIELD.
- 5 TERMINAL PITCH NOT COMPATIBLE WITH MECHANICAL FEED.
6. UNLESS SPECIFIED OTHERWISE TORQUE VALUES SHALL BE USED PER DOCUMENT, 101-35000.

***WARNING**
ON INSTALLATION, SET WIRE DISC TO CRIMP HEIGHT REFERENCE SETTING FOR LARGEST WIRE SIZE. CRIMP HEIGHT REFERENCE SETTINGS GREATER THAN THE VALUE SHOWN MAY CAUSE DAMAGE TO THE CRIMP TOOLING, REFER TO THE INSTRUCTION SHEET FOR PROPER SETUP AND ADJUSTMENTS.

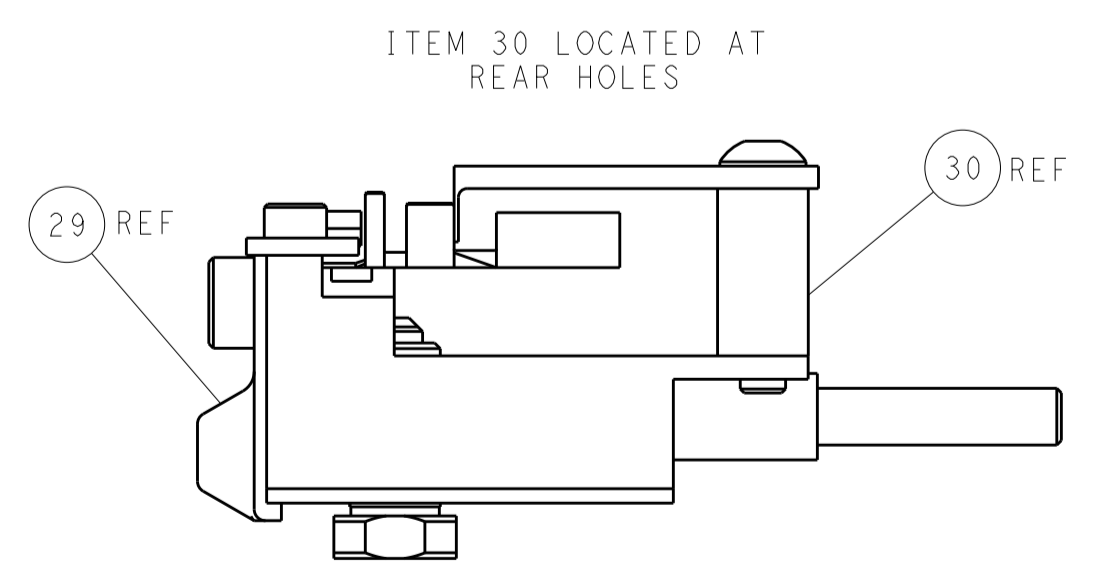
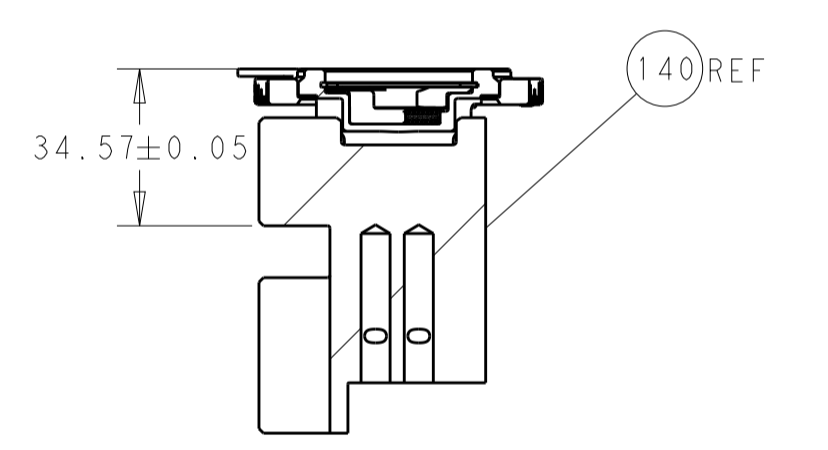
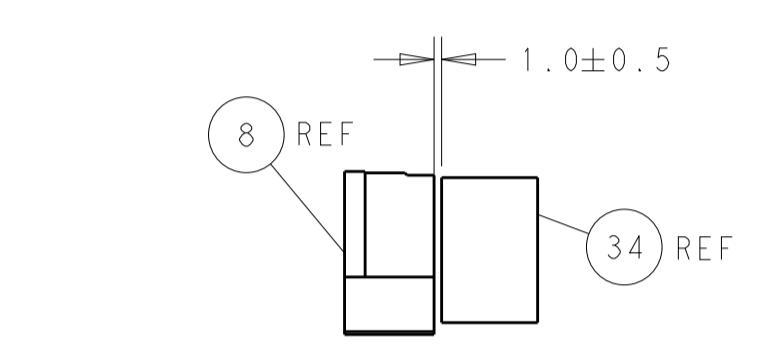
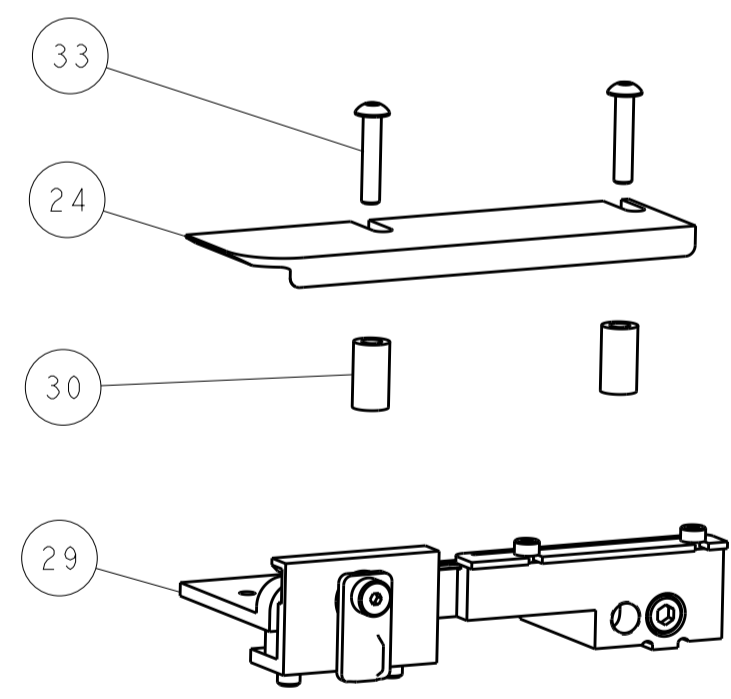
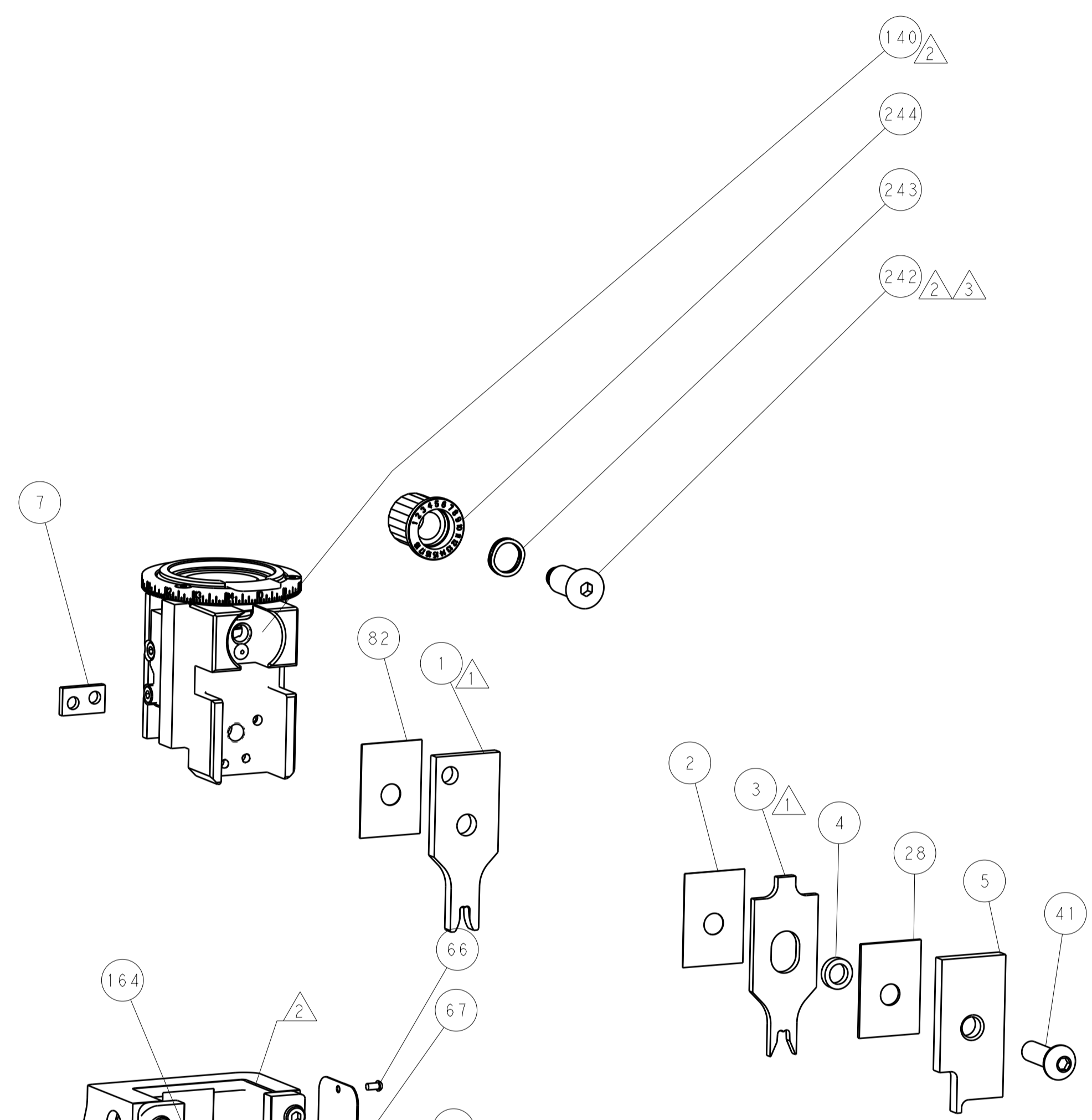
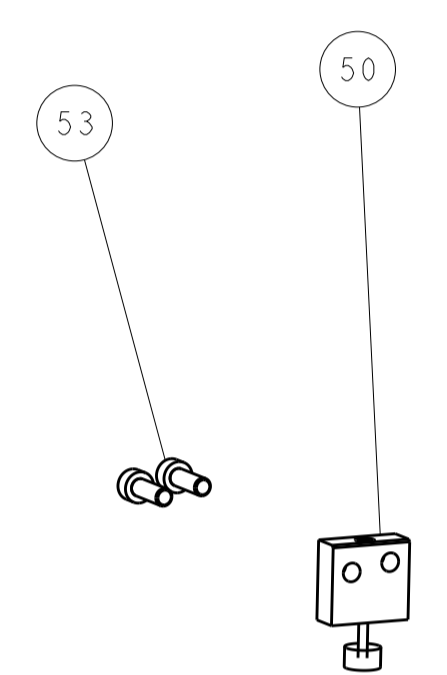
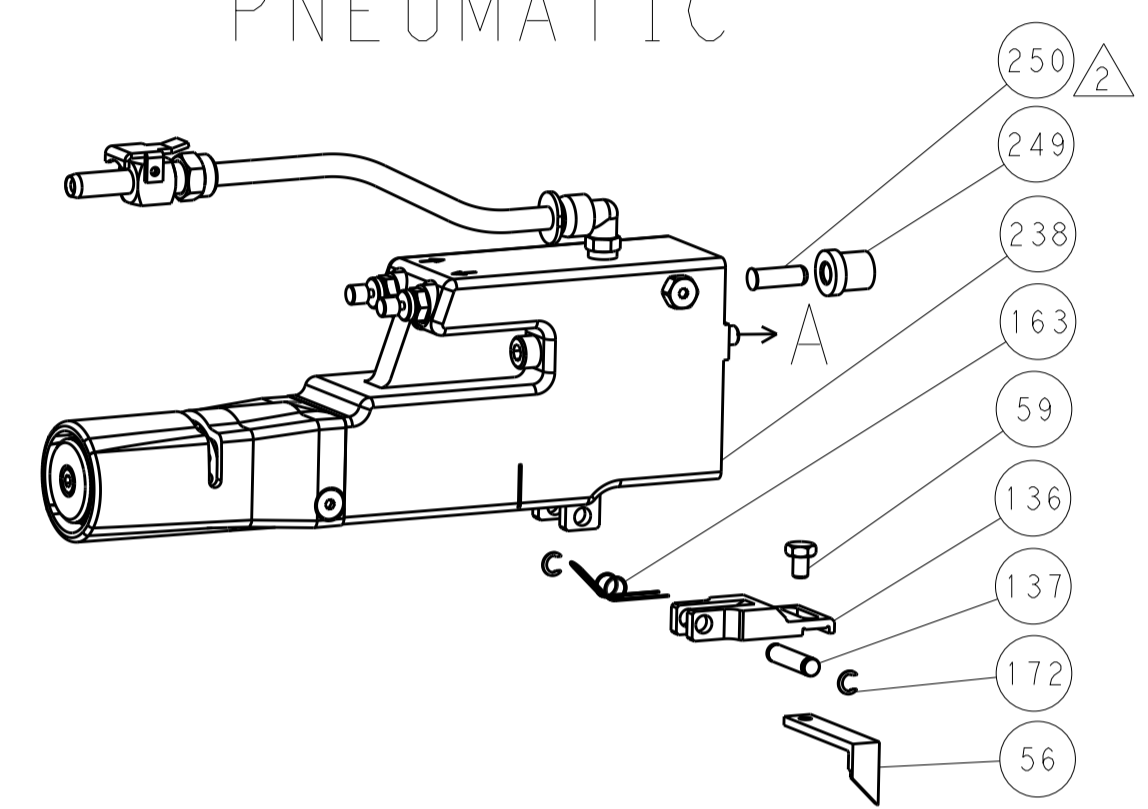
PACIFIC VERSION
Shown on sheets 3 of 4 & 4 of 4
(Atlantic version shown on sheets 1 of 4 & 2 of 4)

LOC	DIST	REV	DATE	BY	CHK	APPD	DESCRIPTION	DATE	QTY	APPROV
A	66						SEE SHEET 1			
-	1	2119640-1					PUSH ROD, AIR FEED		250	
-	1	1803259-1					BUSHING, FLANGED		249	
-	1	2119082-3					CAM, SNAIL, INSULATION ADJUSTMENT		244	
-	1	2079764-1					WASHER, WAVE SPRING, CREST-TO-CREST		243	
-	1	2119083-1					RETAINER, INSULATION DIAL		242	
-	1	7-18023-7					SCR, SKT HD CAP M3 X 4.0		241	
-	1	2063440-2					AIR FEED MODULE		238	
-	2	21045-3					RING, RETAIN, EXTERN, 3/16 CRESCENT		172	
-	REF	994970-2					COUNTER, MAGNETIC		164	
-	1	240638-1					SPRING, FEED FINGER		163	
-	1	2119641-2					FEED CAM, AIR FEED		151	
-	1	2168083-8					SCR, SKT HD CAP, RoHS, M4 X 16		144	
-	4	2168083-9					SCR, SKT HD CAP, RoHS, M4 X 20		143	
-	1	1-1803583-0					APPLICATOR BASIC ASSEMBLY, SF		141	
-	1	1803516-1					RAM ASSEMBLY, SF PACIFIC		140	
-	1	3-23627-7					PIN, RETAIN, GRVD, 3/16 X .854		137	
-	1	2119799-1					HOLDER, FEED FINGER, AF		136	
-	1	2844908-1					SCREW, LOCKING		99	
-	1	2844907-1					POST, LOCKING		98	
-	1	455888-4					SPACER, CRIMPER		82	
-	1	1803607-1					DOCUMENTATION PACKAGE		71	
-	1	2119740-1					TAG, IDENTIFICATION		67	
-	2	2168078-1					SCREW, DRIVE, RH, RoHS, 2 x .188		66	
-	1	5-18022-5					SCR, HEX HD CAP, M4 X 6.0		59	
-	1	1338683-8					FEED PAWL		56	
-	2	2168083-3					SCR, SKT HD CAP, RoHS, M4 X 12.0		53	
-	1	1803382-2					HOLD DOWN, SPRING LOADED		50	
-	1	18023-9					SCR, SKT HD CAP M4 X 6.0		49	
-	1	1803602-1					SCR, BHSC, RoHS (M8 X 25)		41	
-	1	2-1752356-0					SUPPORT, TERMINAL		34	
-	2	2079383-5					SCR, BHSC, RoHS (M4 X 20)		33	
-	2	2-2844962-8					SPACER, CYLINDRICAL, STRIP GUIDE		30	
-	1	2844992-1					ASSEMBLY, STRIP GUIDE		29	
-	1	1-455888-0					SPACER, CRIMPER		28	
-	1	1320928-2					STRIP GUIDE		24	
-	1	2168083-2					SCR, SKT HD CAP, RoHS, M4 X 8.0		21	
-	2	1-18028-2					WASHER, FLAT, REG M4		20	
-	1	2119533-1					STRIPPER, SIDE FEED		19	
-	1	2119806-1					INSERT, SHEAR		13	
-	1	3-22280-3					SPRING, COMPRESSION		12	
-	1	1-356885-3					STOP, SHEAR		11	
-	1	2119805-1					SHEAR HOLDER, FRONT		10	
-	1	1803095-1					FLOATING SHEAR, FRONT		9	
-	1	1-1803608-3					ANVIL, COMBINATION		8	
-	1	1-240641-6					SPACER		7	
-	-	-					-		6	
-	1	2119757-8					DEPRESSOR, SHEAR		5	
-	1	3-238011-5					BLOCK, CRIMPER SPACER		4	
-	1	1-1803614-1					CRIMPER, INSULATION F		3	
-	1	455888-1					SPACER, CRIMPER		2	
-	1	7-1803470-6					CRIMPER, WIRE F		1	
-	77	-22					PART NO			
-	-	-					DESCRIPTION			
-	-	-					ITEM NO			

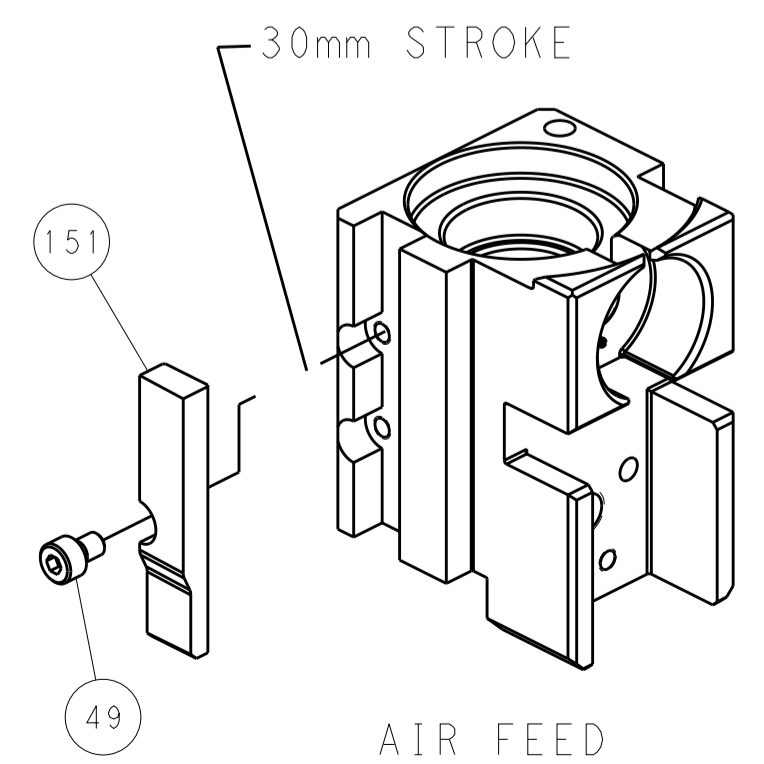
DIMENSIONS:		TOLERANCES UNLESS OTHERWISE SPECIFIED:		DWG: T. BROOKENS 28MAR2018		CHK: R. KNEPPER 28MAR2018		APPD: T. ELBIN 28MAR2018		NAME: Ocean Side Feed Applicator	
mm	0 PLC ±	1 PLC ±	2 PLC ±	3 PLC ±	4 PLC ±	ANGLES ±	FINISH	WEIGHT	SCALE	SHEET	REV
								00779	1:2	3 OF 4	B
Customer Accessible Production Drawing											

LOC	DIST	REV	DATE	BY	APP'D
A	66				

FEED TYPE PNEUMATIC



CAM POSITION



PACIFIC VERSION
 Shown on sheets 3 of 4 & 4 of 4
 (Atlantic version shown on sheets 1 of 4 & 2 of 4)

DIMENSIONS: mm 		TOLERANCES UNLESS OTHERWISE SPECIFIED: 0 PLC ± 1 PLC ± 2 PLC ± 3 PLC ± 4 PLC ± ANGLES ± FINISH		DWN: T. BROOKS 28MAR2018 CHK: R. KNEPPER 28MAR2018 APVD: T. ELBIN 28MAR2018 PRODUCT SPEC APPLICATION SPEC WEIGHT Customer Accessible Production Drawing		NAME: Ocean Side Feed Applicator SIZE: A1 CAGE CODE: 00779 DRAWING NO: 2837216 SCALE: 1:2 SHEET: 4 OF 4 REV: B	
-----------------------	--	---	--	---	--	--	--