

LOC	DIST	REV	DATE	BY	APPV
A	66				

FEED TYPE MECHANICAL



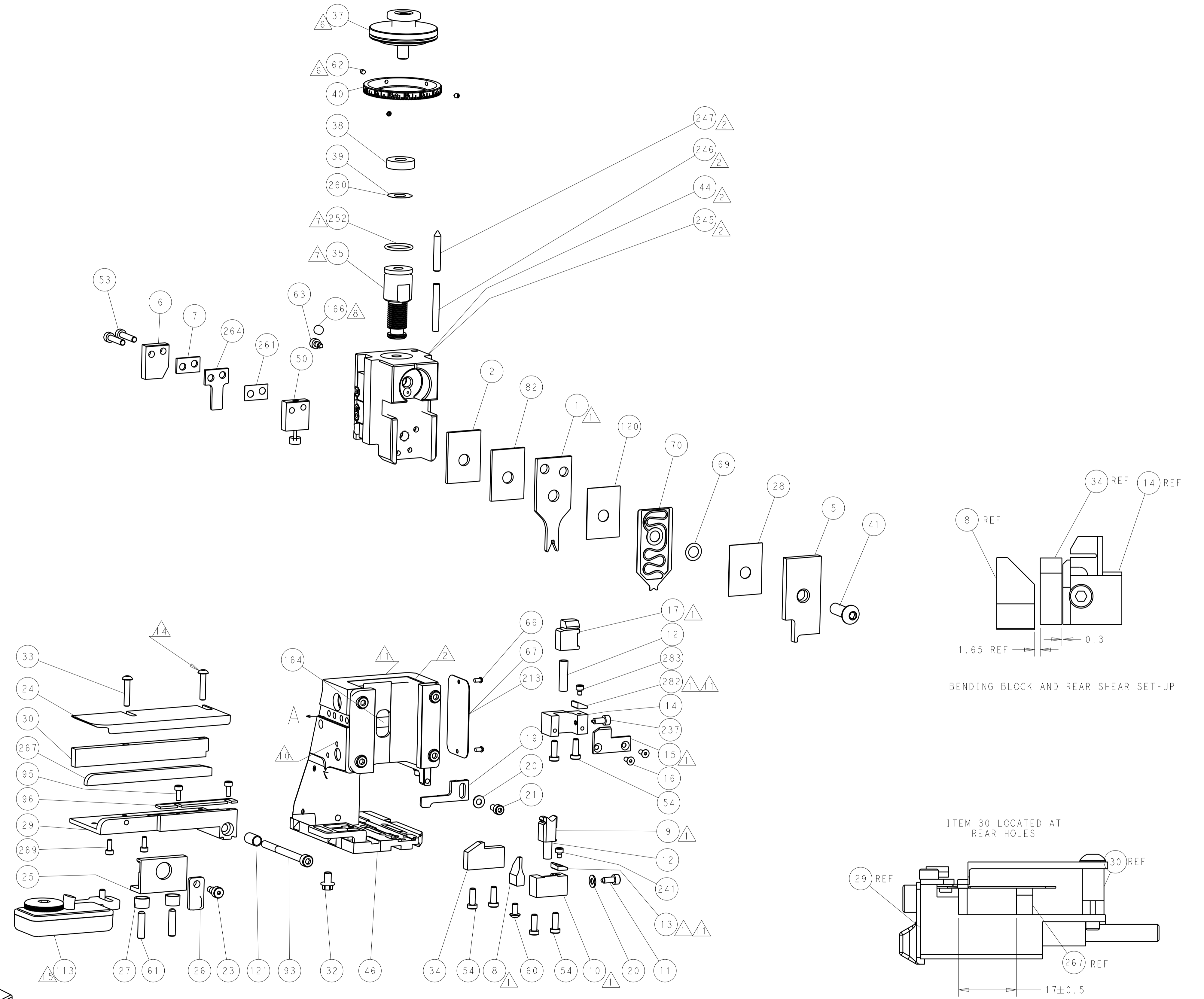
PNEUMATIC



SERVO LATCH PLATE



CAM POSITIONS



BENDING BLOCK AND REAR SHEAR SET-UP

ITEM 30 LOCATED AT REAR HOLES

FEED TRACK POSITION GUIDE BY WIRE BARREL

ATLANTIC VERSION
 Shown on sheets 1 of 4 & 2 of 4
 (Pacific version shown on sheets 3 of 4 & 4 of 4)

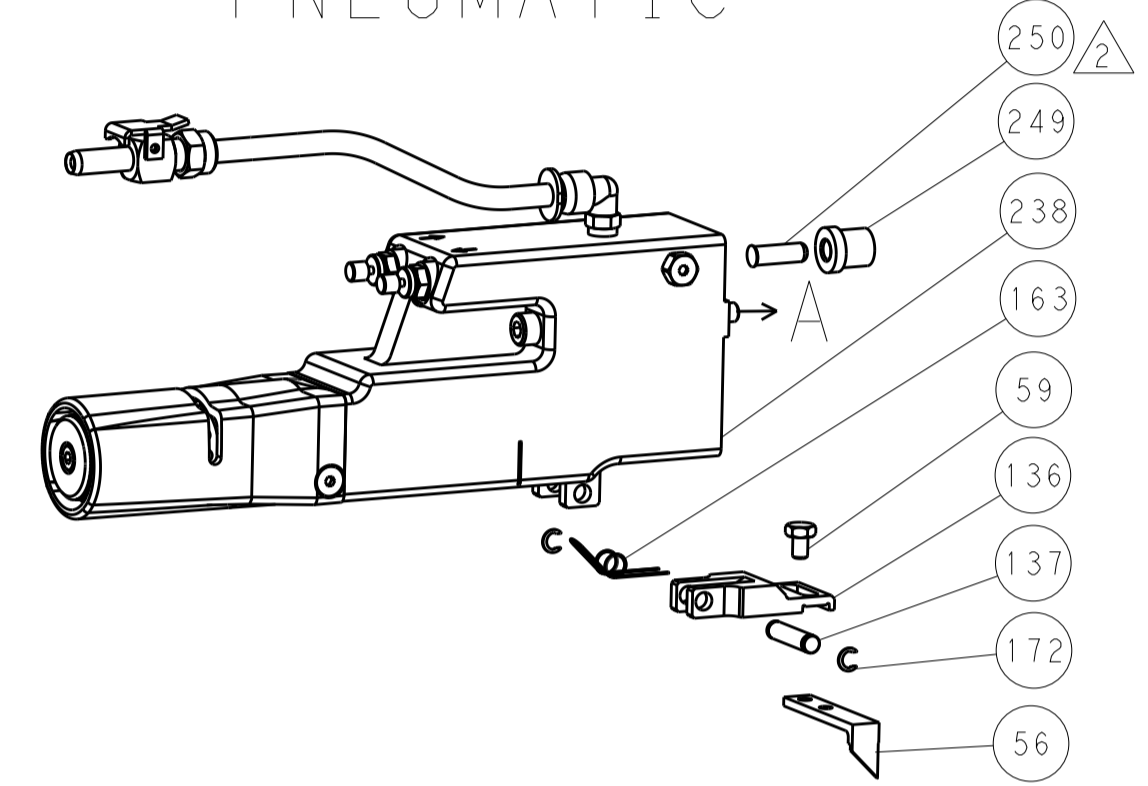
DIMENSIONS:		TOLERANCES UNLESS OTHERWISE SPECIFIED:		DWG: T. BROOKS 13MAR2018		TE Connectivity	
mm	0 PLC	±		CHK: R. KNEPPER 13MAR2018	NAME	Ocean Side Feed Applicator	
	1 PLC	±		APPV: T. ELBIN 13MAR2018	PRODUCT SPEC	SIZE	CAGE CODE DRAWING NO
	2 PLC	±			APPLICATION SPEC	RESTRICTED TO	
	3 PLC	±					
	4 PLC	±					
	ANGLES	±					
MATERIAL	FINISH	WEIGHT					
Customer Accessible Production Drawing				SCALE	1:2	SHEET	2 of 4
				REV	A		

LOC		DIST		REVISIONS			
A	66	P	LTM	DESCRIPTION	DATE	DWN	APVD
		-	-	SEE SHEET 1	-	-	-

FEED TYPE MECHANICAL



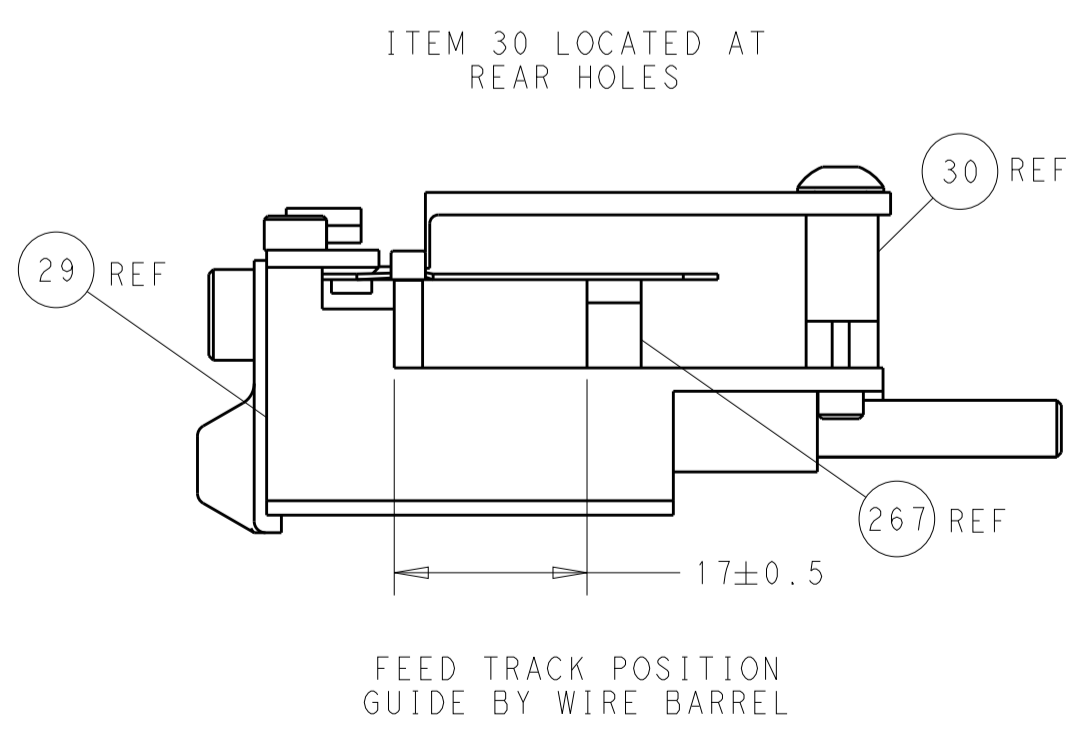
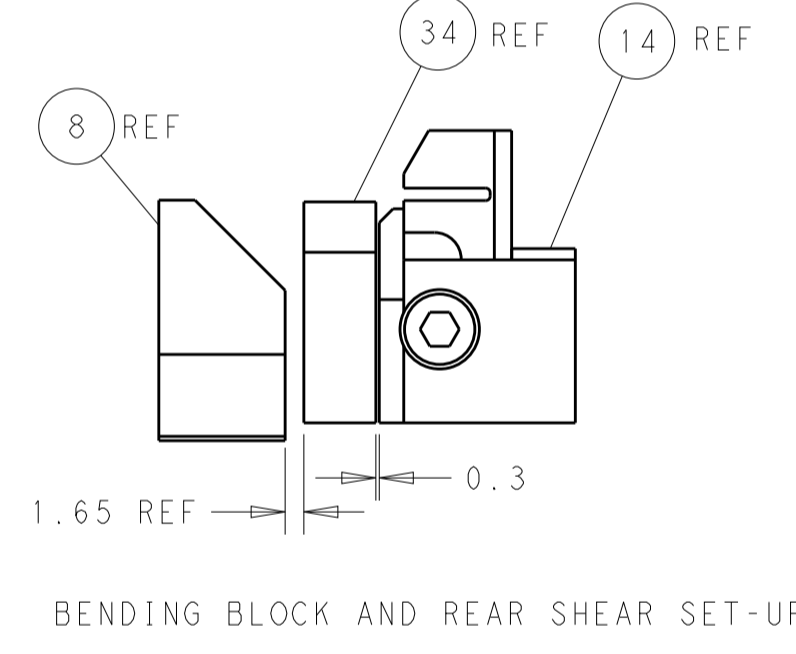
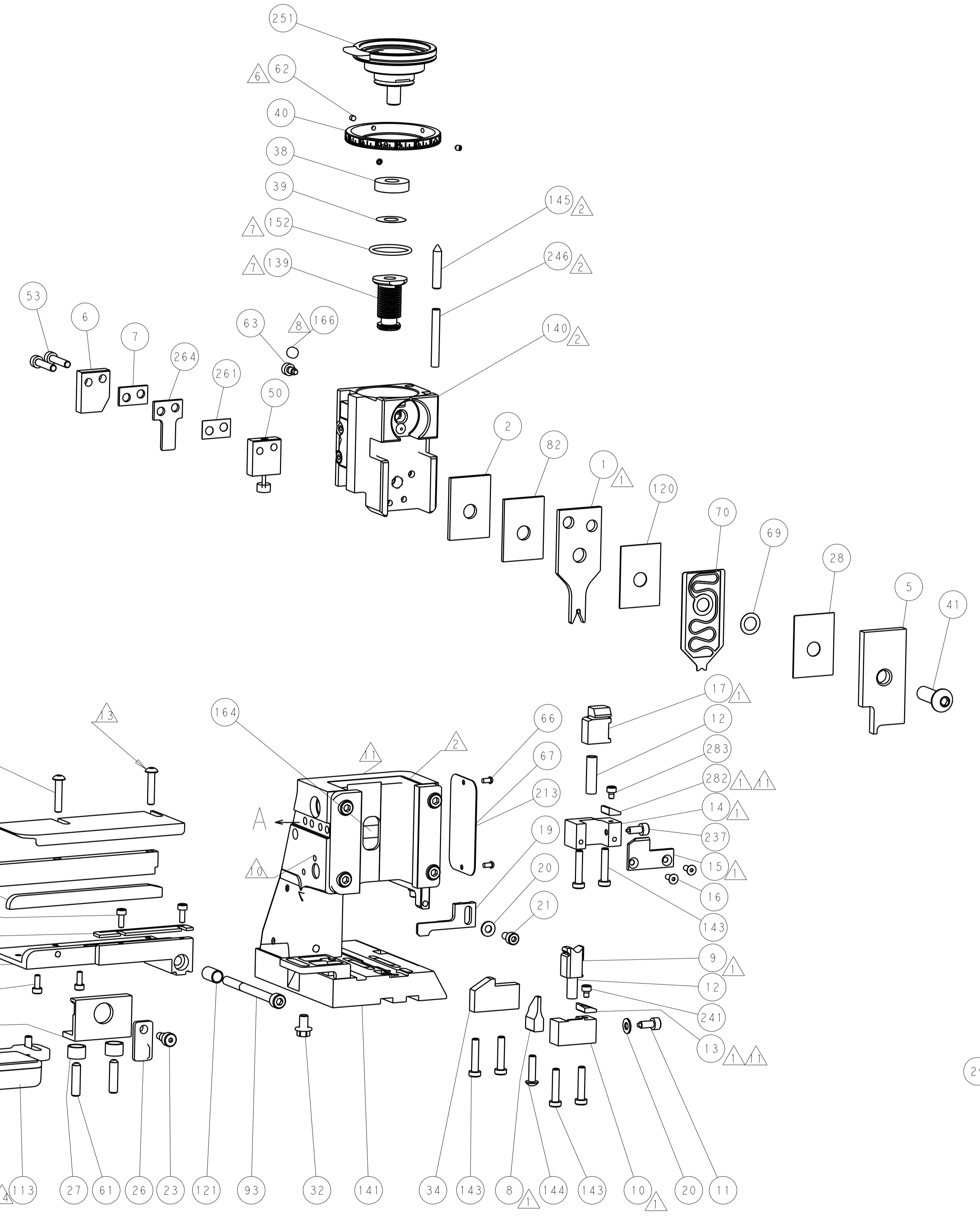
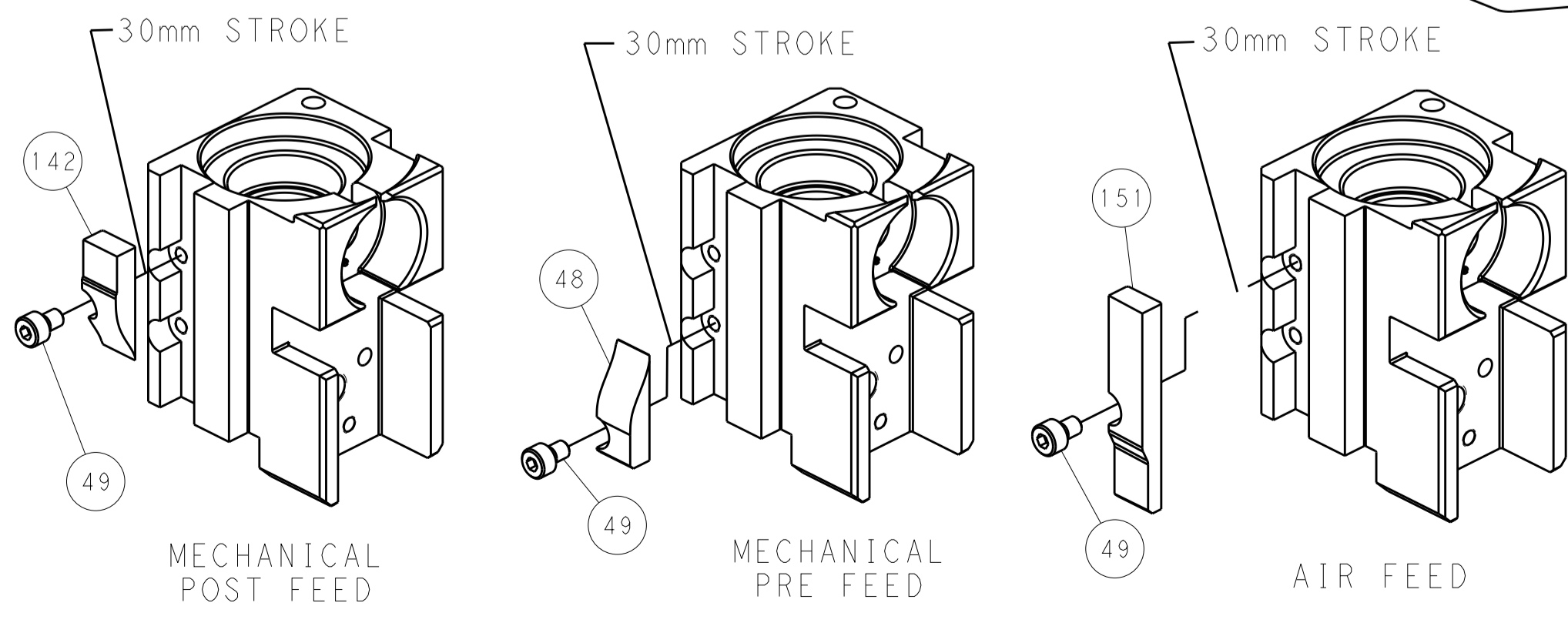
PNEUMATIC



SERVO LATCH PLATE



CAM POSITIONS



PACIFIC VERSION
 Shown on sheets 3 of 4 & 4 of 4
 (Atlantic version shown on sheets 1 of 4 & 2 of 4)

DIMENSIONS: mm 		TOLERANCES UNLESS OTHERWISE SPECIFIED: 0 PLC ± 1 PLC ± 2 PLC ± 3 PLC ± 4 PLC ± ANGLES ±		DWN T. BROOKENS 13MAR2018 CHK R. KNEPPER 13MAR2018 APVD T. ELBIN 13MAR2018 PRODUCT SPEC APPLICATION SPEC WEIGHT MATERIAL		NAME Ocean Side Feed Applicator SIZE CAGE CODE DRAWING NO A 00779 C=2837160 SCALE 1:2 SHEET 4 OF 4 REV A		RESTRICTED TO Customer Accessible Production Drawing	
-----------------------	--	---	--	--	--	--	--	---	--