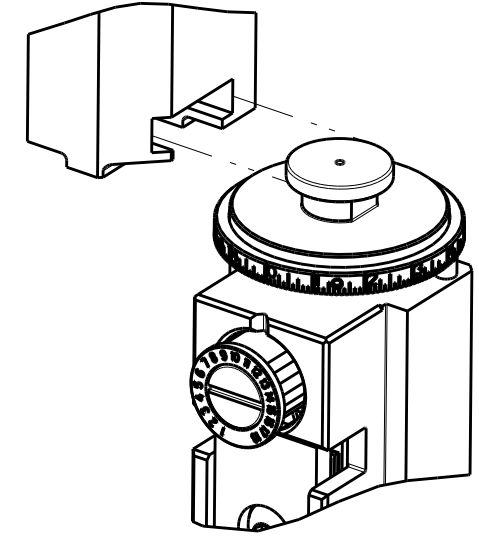


PART NUMBER	REVISION	DESCRIPTION	FEED TYPE
2837140-2	D	FINE CRIMP HEIGHT ADJUST	PNEUMATIC
7-2837140-2	D	PNEUMATIC AND CRIMP TOOLING KIT	PNEUMATIC
7-2837140-7	A	CRIMP TOOLING KIT	-

ATLANTIC VERSION TERMINATOR INTERFACE ADAPTER

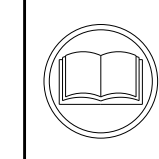


APPLICATOR DATA		
CRIMP	SIZE	TYPE
WIRE	4.57 mm [.180]	F
INSUL	5.34 mm [.210]	OV

APPLICATOR INSTRUCTIONS  
408-35042

TERMINAL DATA: TE TERMINAL		TE CRIMP SPECIFICATION	
TERMINAL NAME: 4 MINIATURE FUSES CLIP SHUNT			
WIRE STRIP LENGTH		TERMINAL INSULATION DIAMETER RANGE	
7.55-8.05 mm [.297-.317 IN]		∅3.90-4.30 mm [.154-.169 IN]	
TERMINAL APPLICATION SPECIFICATION	114-15124		
TERMINALS APPLIED			
TE TERMINAL	TE TERMINAL	TE TERMINAL	TE TERMINAL
1801614-4			

WIRE SIZE	CRIMP HEIGHT mm [INCH]	CRIMP HEIGHT REFERENCE SETTING
6.00mm2	3.03+/-0.05 [.119+/- .002]	9.9
5.00mm2	2.86+/-0.05 [.113+/- .002]	11.1



- RECOMMENDED SPARE PARTS
- REFER TO SUPPLIED INSTRUCTION SHEET FOR CLEANING, LUBRICATION AND STORAGE OF APPLICATOR.
- APPLY PART NUMBER 2-23419-6 LOCTITE TO THREADS OF ITEM 242.
- CRIMP HEIGHT REFERENCE SETTING WAS THE SETTING USED WHEN THE APPLICATOR WAS QUALIFIED AT THE FACTORY. ADJUSTMENT MAY BE NECESSARY WHEN RUNNING APPLICATOR IN THE FIELD.
- 5. UNLESS SPECIFIED OTHERWISE TORQUE VALUES SHALL BE USED PER DOCUMENT, 101-35000.
- TERMINAL PITCH NOT COMPATIBLE WITH MECHANICAL FEED.
- TERMINAL LUBRICANT IS RECOMMENDED.

**\*WARNING**  
 ON INSTALLATION, SET WIRE DISC TO CRIMP HEIGHT REFERENCE SETTING FOR LARGEST WIRE SIZE. CRIMP HEIGHT REFERENCE SETTINGS GREATER THAN THE VALUE SHOWN MAY CAUSE DAMAGE TO THE CRIMP TOOLING, REFER TO THE INSTRUCTION SHEET FOR PROPER SETUP AND ADJUSTMENTS.

LOC	DIST	REVISIONS					
A	66	P	LTN	DESCRIPTION	DATE	OWN	APVD
		A		RELEASED	13APR2018	CT	GB
		B		ECR-19-005080	29MAR2019	FL	CT
		C		ECR-19-010598	07JUL2019	TB	TE
		D		ECR-19-011324	18JUL2019	MZ	GB

-	1	1	1803078-2	SPACER, PRECISION	259	
-	1	1	2119641-1	FEED CAM, AIR FEED	248	
-	1	1	2119082-6	CAM, SNAIL, INSULATION ADJUSTMENT	244	
-	1	1	2079764-1	WASHER, WAVE SPRING, CREST-TO-CREST	243	
-	1	1	2119083-1	RETAINER, INSULATION DIAL	242	
-	1	1	7-18023-7	SCR, SKT HD CAP M3 X 4.0	241	
-	1	1	2844940-2	AIR FEED MODULE	238	
-	REF	REF	994970-2	COUNTER, MAGNETIC	164	
-	1	1	2119955-1	ASSY, LUBRICATOR, SIDE FEED	113	
-	1	1	2844908-1	SCREW, LOCKING	99	
-	1	1	2844907-1	POST, LOCKING	98	
-	1	1	1-455888-2	SPACER, CRIMPER	82	
-	2	2	2079383-4	SCR, BHSC, RoHS (M4 X 8)	79	
-	1	1	1803096-1	EXTENSION PLATE	78	
-	1	1	1803607-3	DOCUMENTATION PACKAGE	71	
-	1	1	2119740-1	TAG, IDENTIFICATION	67	
-	2	2	2168078-1	SCREW, DRIVE, RH, RoHS, 2 x .188	66	
-	1	1	2168083-2	SCR, SKT HD CAP, RoHS, M4 X 8.0	60	
-	1	1	5-18022-5	SCR, HEX HD CAP, M4 X 6.0	59	
-	1	1	1338683-8	FEED PAWL	56	
-	4	4	2168083-3	SCR, SKT HD CAP, RoHS, M4 X 12.0	54	
-	2	2	1-2168083-0	SCR, SKT HD CAP, RoHS, M4 X 10	53	
-	1	1	1803382-1	HOLD DOWN, SPRING LOADED	50	
-	1	1	18023-9	SCR, SKT HD CAP M4 X 6.0	49	
-	1	1	1803583-9	APPLICATOR BASIC ASSEMBLY, SF	46	
-	1	1	1803515-2	RAM ASSEMBLY, SF ATLANTIC	44	
-	1	1	1803602-2	SCR, BHSC, RoHS (M8 X 40)	41	
-	1	1	1752356-2	SUPPORT, TERMINAL	34	
-	2	2	2079383-5	SCR, BHSC, RoHS (M4 X 20)	33	
-	2	2	2-2844962-3	SPACER, CYLINDRICAL, STRIP GUIDE	30	
-	1	1	2844992-1	ASSEMBLY, STRIP GUIDE	29	
-	1	1	455888-3	SPACER, CRIMPER	28	
-	1	1	1320928-2	STRIP GUIDE	24	
-	1	1	2168083-2	SCR, SKT HD CAP, RoHS, M4 X 8.0	21	
-	2	2	1-18028-2	WASHER, FLAT, REG M4	20	
-	1	1	2119533-1	STRIPPER, SIDE FEED	19	
-	1	1	2119806-1	INSERT, SHEAR	13	
-	1	1	3-22280-3	SPRING, COMPRESSION	12	
-	1	1	1-356885-3	STOP, SHEAR	11	
-	1	1	2119805-1	SHEAR HOLDER, FRONT	10	
-	1	1	1803095-6	FLOATING SHEAR, FRONT	9	
-	1	2	1	4-1803514-1	ANVIL, COMBINATION	8
-	1	1	5-240641-9	SPACER	7	
-	-	-	-	-	6	
-	1	1	2119757-8	DEPRESSOR, SHEAR	5	
-	1	1	2-238011-9	BLOCK, CRIMPER SPACER	4	
-	1	2	1	3-1803199-3	CRIMPER, INSULATION OVERLAP PREMIUM	3
-	1	1	455888-6	SPACER, CRIMPER	2	
-	1	2	1	2-456412-5	CRIMPER, WIRE .180 F PREMIUM	1

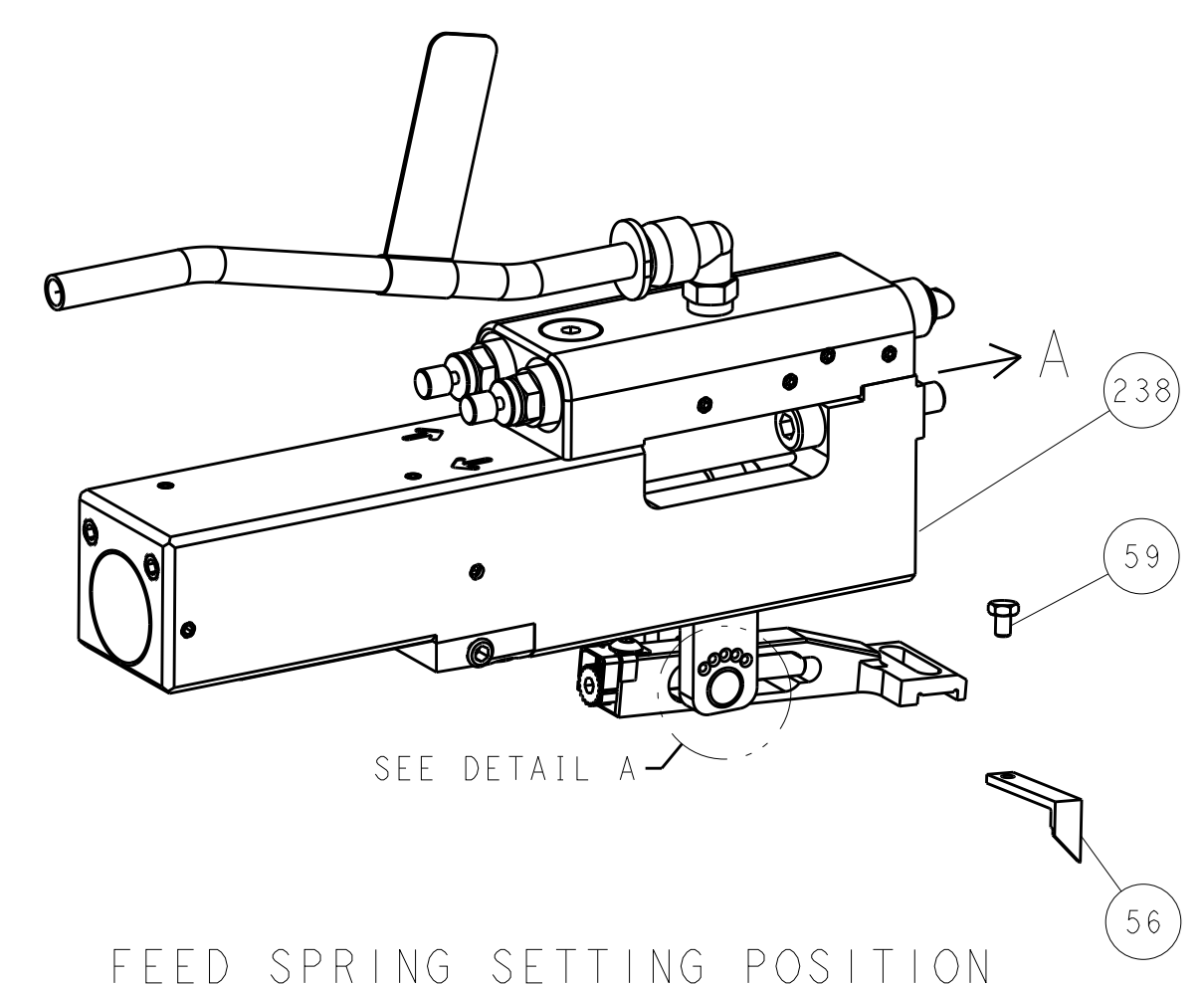
**ATLANTIC VERSION**  
 Shown on sheets 1 of 4 & 2 of 4  
 (Pacific version shown on sheets 3 of 4 & 4 of 4)

DIMENSIONS: mm		TOLERANCES UNLESS OTHERWISE SPECIFIED:		OWN T. BROOKENS 16FEB2018		TE Connectivity	Harrisburg, PA 17105-3608
		0 PLC ± 1 PLC ± 2 PLC ± 3 PLC ± 4 PLC ± ANGLES ±		CHK M. HERR 16FEB2018		NAME	
MATERIAL		FINISH		APVD C. TOPPER 16FEB2018	PRODUCT SPEC		RESTRICTED TO
				WEIGHT	APPLICATION SPEC		SIZE CAGE CODE DRAWING NO
					A 00779 C=2837140		SCALE 1:2 SHEET 1 OF 4 REV D
				Customer Accessible Production Drawing			

LOC		DIST		REVISIONS			
A	66	P	LTM	DESCRIPTION	DATE	OWN	APVD
		-		SEE SHEET 1	-	-	-

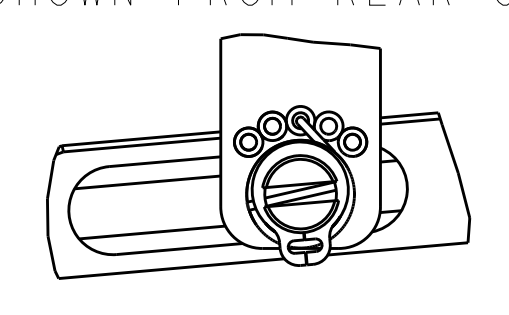
# FEED TYPE

## PNEUMATIC



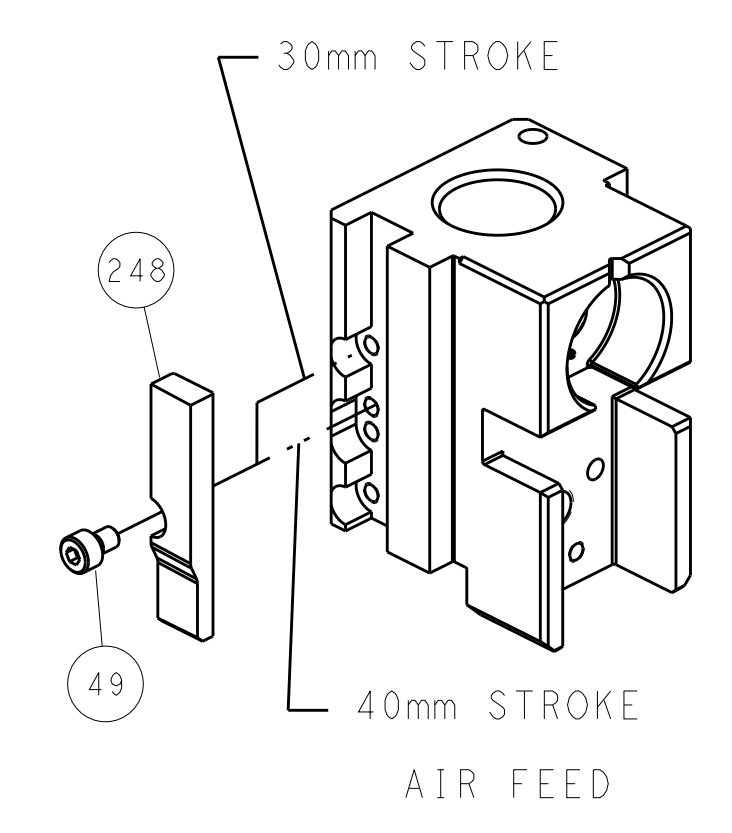
SEE DETAIL A

FEED SPRING SETTING POSITION  
(SHOWN FROM REAR SIDE)

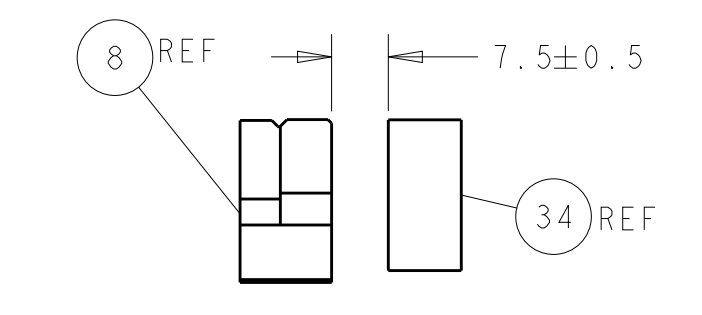
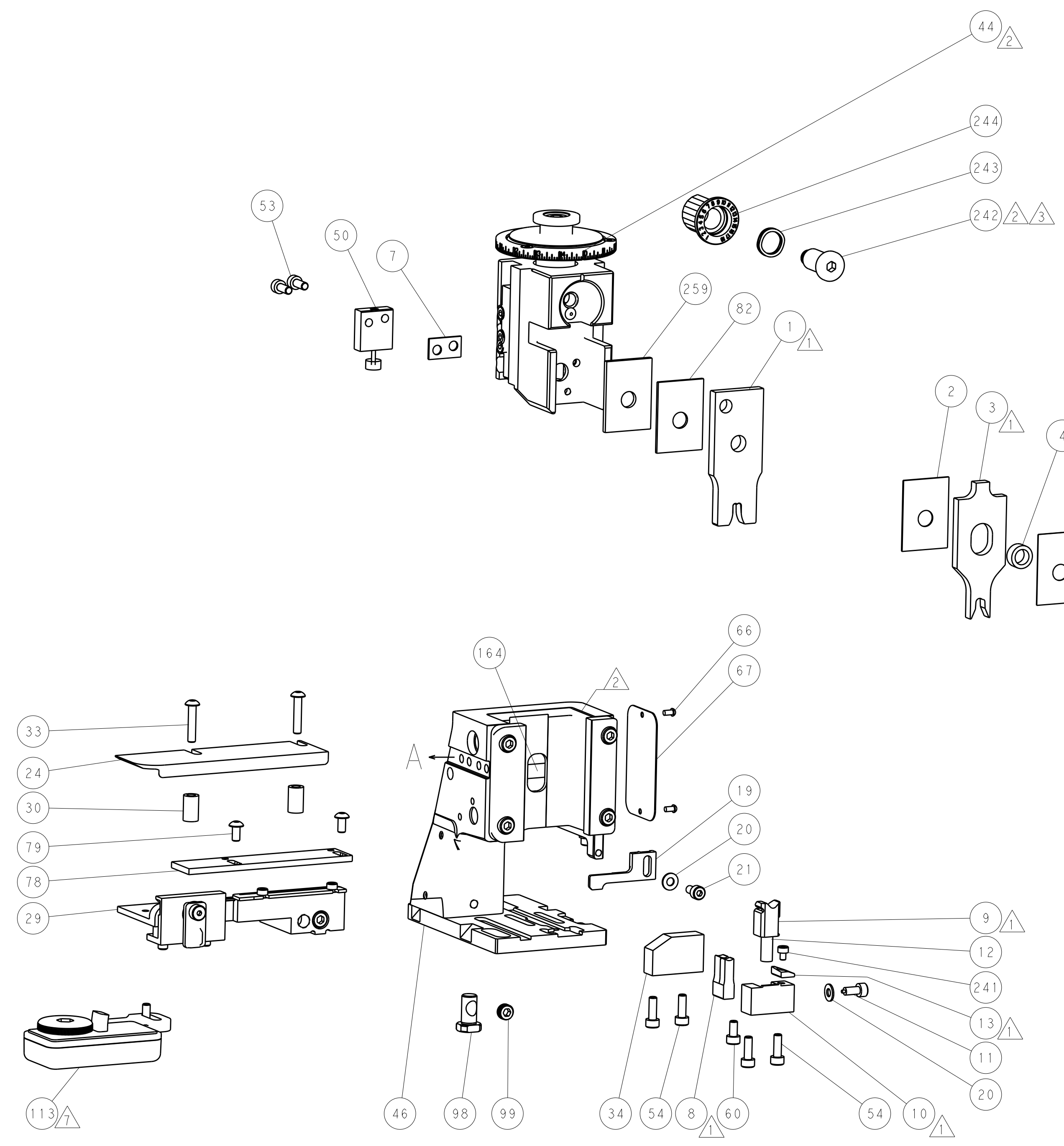


DETAIL A

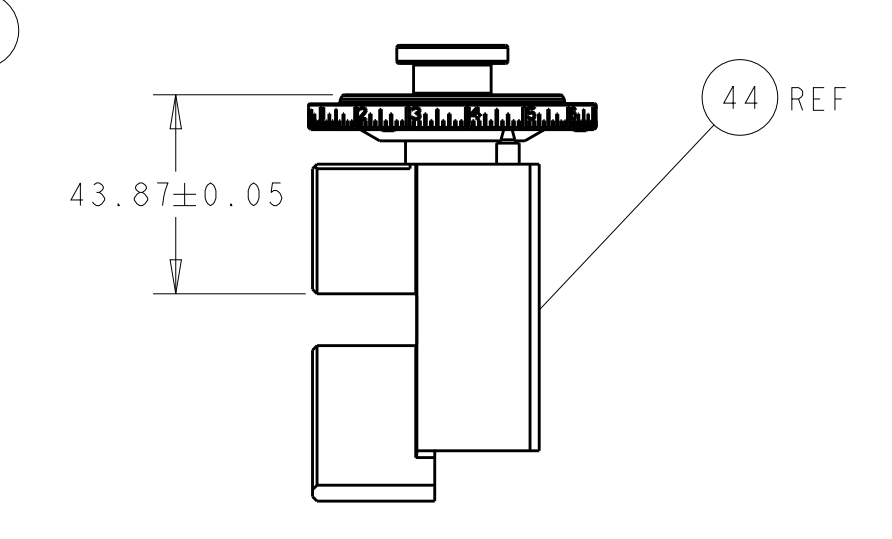
## CAM POSITION



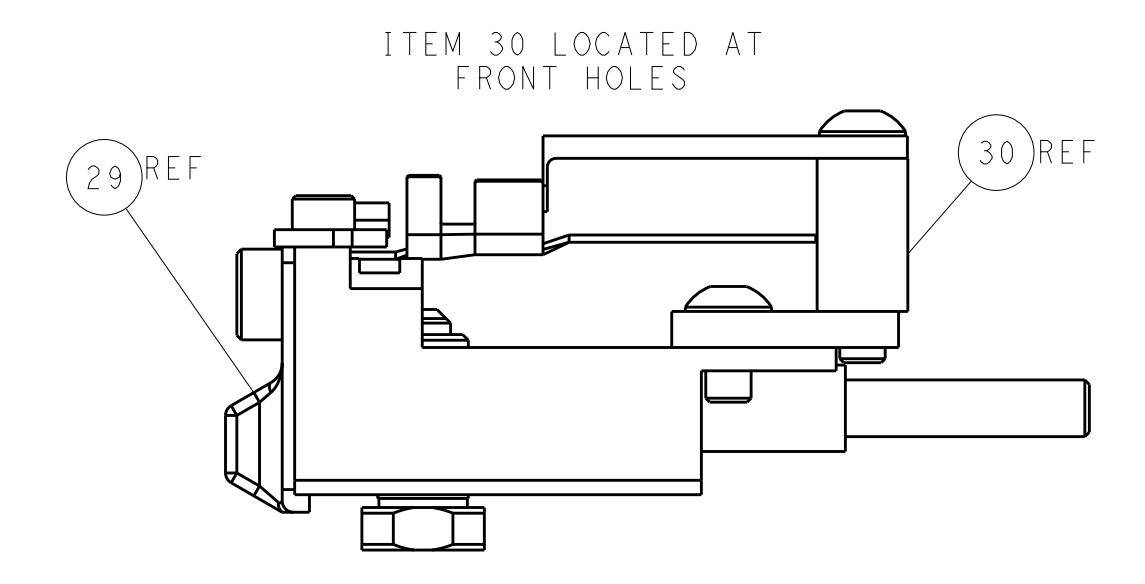
AIR FEED



TERMINAL SUPPORT LOCATION



RAM SET-UP



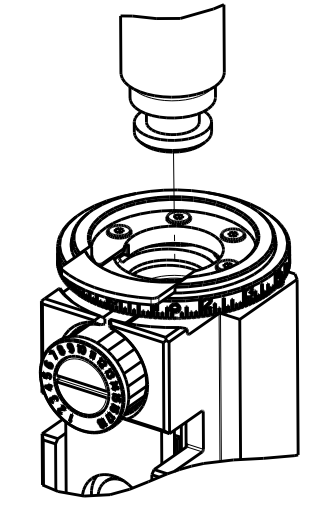
FEED TRACK POSITION  
GUIDE BY WIRE BARREL

**ATLANTIC VERSION**  
 Shown on sheets 1 of 4 & 2 of 4  
 (Pacific version shown on sheets 3 of 4 & 4 of 4)

DIMENSIONS: mm 		TOLERANCES UNLESS OTHERWISE SPECIFIED: 0 PLC ± 1 PLC ± 2 PLC ± 3 PLC ± 4 PLC ± ANGLES ±		DWN T. BROOKENS 16FEB2018 CHK M. HERR 16FEB2018 APVD C. TOPPER 16FEB2018 PRODUCT SPEC APPLICATION SPEC WEIGHT Customer Accessible Production Drawing		NAME Ocean Side Feed Applicator SIZE CAGE CODE DRAWING NO A1 00779 C=2837140 SCALE 1:2 SHEET 2 OF 4 REV D	
MATERIAL FINISH		RESTRICTED TO		TE Connectivity Harrisburg, PA 17105-3608		SHEETS 3 & 4 ARE NOT REQUIRED FOR ATLANTIC VERSION	

PART NUMBER	REVISION	DESCRIPTION	FEED TYPE
2-2837140-2	D	FINE CRIMP HEIGHT ADJUST	PNEUMATIC
7-2837140-7	A	CRIMP TOOLING KIT	-

PACIFIC VERSION TERMINATOR  
 INTERFACE ADAPTER



APPLICATOR DATA		
CRIMP	SIZE	TYPE
WIRE	4.57 mm [.180]	F
INSUL	5.34 mm [.210]	OV

APPLICATOR INSTRUCTIONS  
 408-35042

TERMINAL DATA: TE TERMINAL		TE CRIMP SPECIFICATION	
TERMINAL NAME: 4 MINIATURE FUSES CLIP SHUNT			
WIRE STRIP LENGTH		TERMINAL INSULATION DIAMETER RANGE	
7.55-8.05 mm [.297-.317 IN]		∅3.90-4.30 mm [.154-.169 IN]	
TERMINAL APPLICATION SPECIFICATION	114-15124		
TERMINALS APPLIED			
TE TERMINAL	TE TERMINAL	TE TERMINAL	TE TERMINAL
1801614-4			

WIRE SIZE	CRIMP HEIGHT mm [INCH]	CRIMP HEIGHT REFERENCE SETTING
6.00mm2	3.03+/-0.05 [.119+/-0.002]	9.9
5.00mm2	2.86+/-0.05 [.113+/-0.002]	11.1



- RECOMMENDED SPARE PARTS
- REFER TO SUPPLIED INSTRUCTION SHEET FOR CLEANING, LUBRICATION AND STORAGE OF APPLICATOR.
- APPLY PART NUMBER 2-23419-6 LOCTITE TO THREADS OF ITEM 242.
- CRIMP HEIGHT REFERENCE SETTING WAS THE SETTING USED WHEN THE APPLICATOR WAS QUALIFIED AT THE FACTORY. ADJUSTMENT MAY BE NECESSARY WHEN RUNNING APPLICATOR IN THE FIELD.
- 5. UNLESS SPECIFIED OTHERWISE TORQUE VALUES SHALL BE USED PER DOCUMENT, 101-35000.
- TERMINAL PITCH NOT COMPATIBLE WITH MECHANICAL FEED.
- TERMINAL LUBRICANT IS RECOMMENDED.

**\*WARNING**  
 ON INSTALLATION, SET WIRE DISC TO CRIMP HEIGHT REFERENCE SETTING FOR LARGEST WIRE SIZE. CRIMP HEIGHT REFERENCE SETTINGS GREATER THAN THE VALUE SHOWN MAY CAUSE DAMAGE TO THE CRIMP TOOLING, REFER TO THE INSTRUCTION SHEET FOR PROPER SETUP AND ADJUSTMENTS.

LOC	DIST	REV	DATE	BY	APPD
A	66				

REVISIONS					
REV	DATE	DESCRIPTION	DATE	BY	
-	-	SEE SHEET 1	-	-	
-	1	1803078-2		SPACER, PRECISION	259
-	1	2119082-6		CAM, SNAIL, INSULATION ADJUSTMENT	244
-	1	2079764-1		WASHER, WAVE SPRING, CREST-TO-CREST	243
-	1	2119083-1		RETAINER, INSULATION DIAL	242
-	1	7-18023-7		SCR, SKT HD CAP M3 X 4.0	241
-	1	2844940-2		AIR FEED MODULE	238
-	REF	994970-2		COUNTER, MAGNETIC	164
-	1	2119641-2		FEED CAM, AIR FEED	151
-	1	2168083-8		SCR, SKT HD CAP, RoHS, M4 X 16	144
-	4	2168083-9		SCR, SKT HD CAP, RoHS, M4 X 20	143
-	1	1-1803583-0		APPLICATOR BASIC ASSEMBLY, SF	141
-	1	1803516-2		RAM ASSEMBLY, SF PACIFIC	140
-	1	2119955-1		ASSY, LUBRICATOR, SIDE FEED	113
-	1	2844908-1		SCREW, LOCKING	99
-	1	2844907-1		POST, LOCKING	98
-	1	1-455888-2		SPACER, CRIMPER	82
-	2	2079383-4		SCR, BHSC, RoHS (M4 X 8)	79
-	1	1803096-1		EXTENSION PLATE	78
-	1	1803607-3		DOCUMENTATION PACKAGE	71
-	1	2119740-1		TAG, IDENTIFICATION	67
-	2	2168078-1		SCREW, DRIVE, RH, RoHS, 2 x .188	66
-	1	5-18022-5		SCR, HEX HD CAP, M4 X 6.0	59
-	1	1338683-8		FEED PAWL	56
-	2	1-2168083-0		SCR, SKT HD CAP, RoHS, M4 X 10	53
-	1	1803382-1		HOLD DOWN, SPRING LOADED	50
-	1	18023-9		SCR, SKT HD CAP M4 X 6.0	49
-	1	1803602-2		SCR, BHSC, RoHS (M8 X 40)	41
-	1	1752356-2		SUPPORT, TERMINAL	34
-	2	2079383-5		SCR, BHSC, RoHS (M4 X 20)	33
-	2	2-2844962-3		SPACER, CYLINDRICAL, STRIP GUIDE	30
-	1	2844992-1		ASSEMBLY, STRIP GUIDE	29
-	1	455888-3		SPACER, CRIMPER	28
-	1	1320928-2		STRIP GUIDE	24
-	1	2168083-2		SCR, SKT HD CAP, RoHS, M4 X 8.0	21
-	2	1-18028-2		WASHER, FLAT, REG M4	20
-	1	2119533-1		STRIPPER, SIDE FEED	19
-	1	2119806-1		INSERT, SHEAR	13
-	1	3-22280-3		SPRING, COMPRESSION	12
-	1	1-356885-3		STOP, SHEAR	11
-	1	2119805-1		SHEAR HOLDER, FRONT	10
-	1	1803095-6		FLOATING SHEAR, FRONT	9
-	1	4-1803514-1		ANVIL, COMBINATION	8
-	1	5-240641-9		SPACER	7
-	-	-		-	6
-	1	2119757-8		DEPRESSOR, SHEAR	5
-	1	2-238011-9		BLOCK, CRIMPER SPACER	4
-	1	3-1803199-3		CRIMPER, INSULATION OVERLAP PREMIUM	3
-	1	455888-6		SPACER, CRIMPER	2
-	1	2-456412-5		CRIMPER, WIRE .180 F PREMIUM	1
-	-	-		-	0

PACIFIC VERSION  
 Shown on sheets 3 of 4 & 4 of 4  
 (Atlantic version shown on sheets 1 of 4 & 2 of 4)

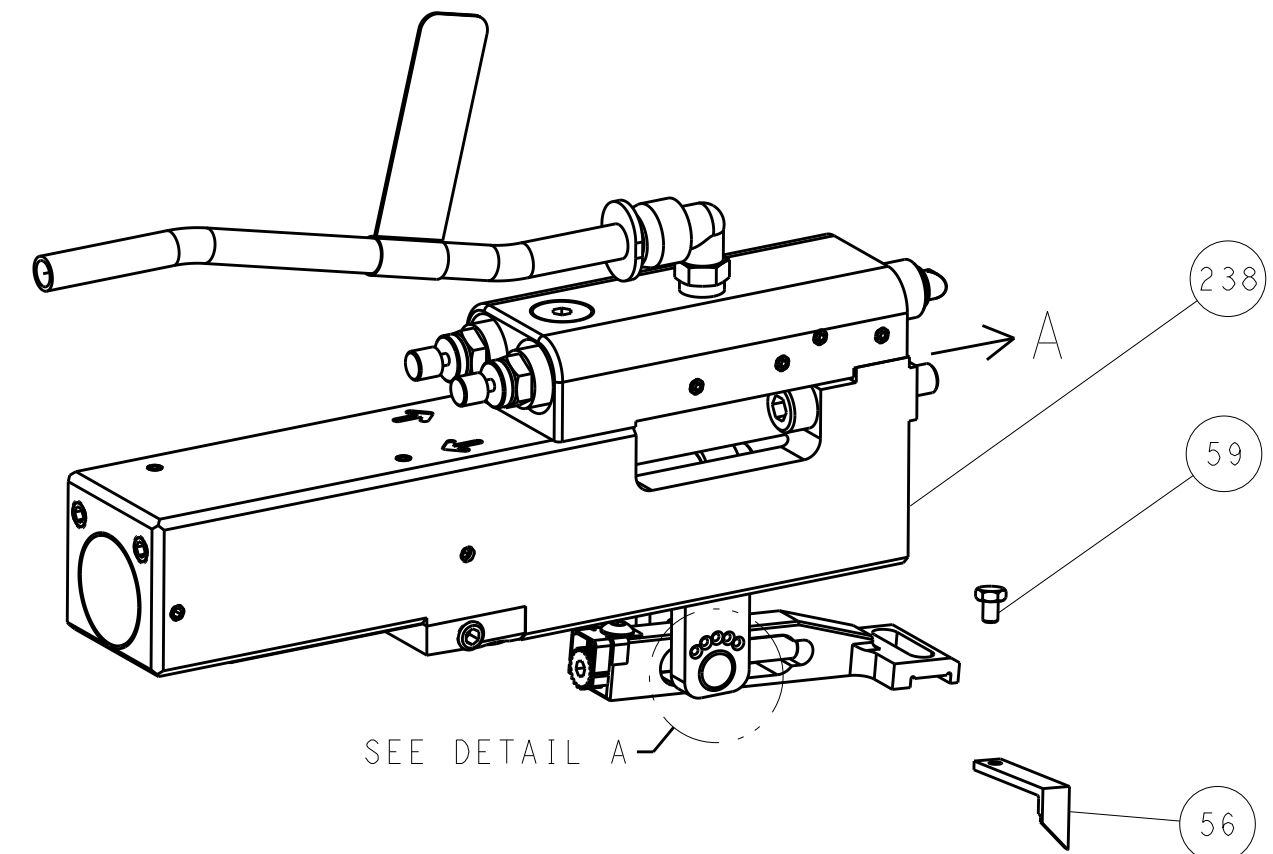
DIMENSIONS:		TOLERANCES UNLESS OTHERWISE SPECIFIED:		MATERIAL:		FINISH:	
mm	0 PLC ±	1 PLC ±	2 PLC ±	3 PLC ±	4 PLC ±	ANGLES ±	

DRWN	T. BROOKENS	16FEB2018	CHK	M. HERR	16FEB2018	APPD	C. TOPPER	16FEB2018
NAME	Ocean Side Feed Applicator							
SIZE	A1	CAGE CODE	00779	DRAWING NO	2837140	RESTRICTED TO		
SCALE	1:2	SHEET	3	OF	4	REV	D	

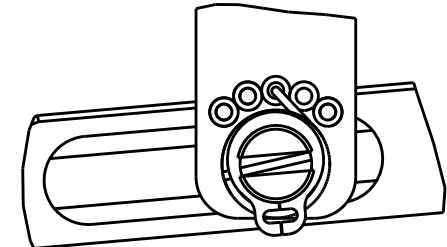
LOC		DIST		REVISIONS			
A	66	P	LTH	DESCRIPTION	DATE	DWN	APVD
		-		SEE SHEET 1			

### FEED TYPE

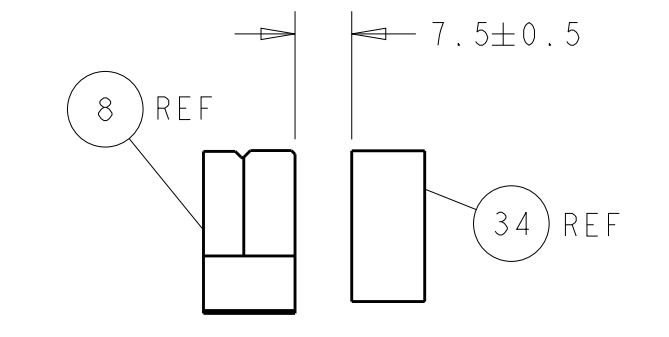
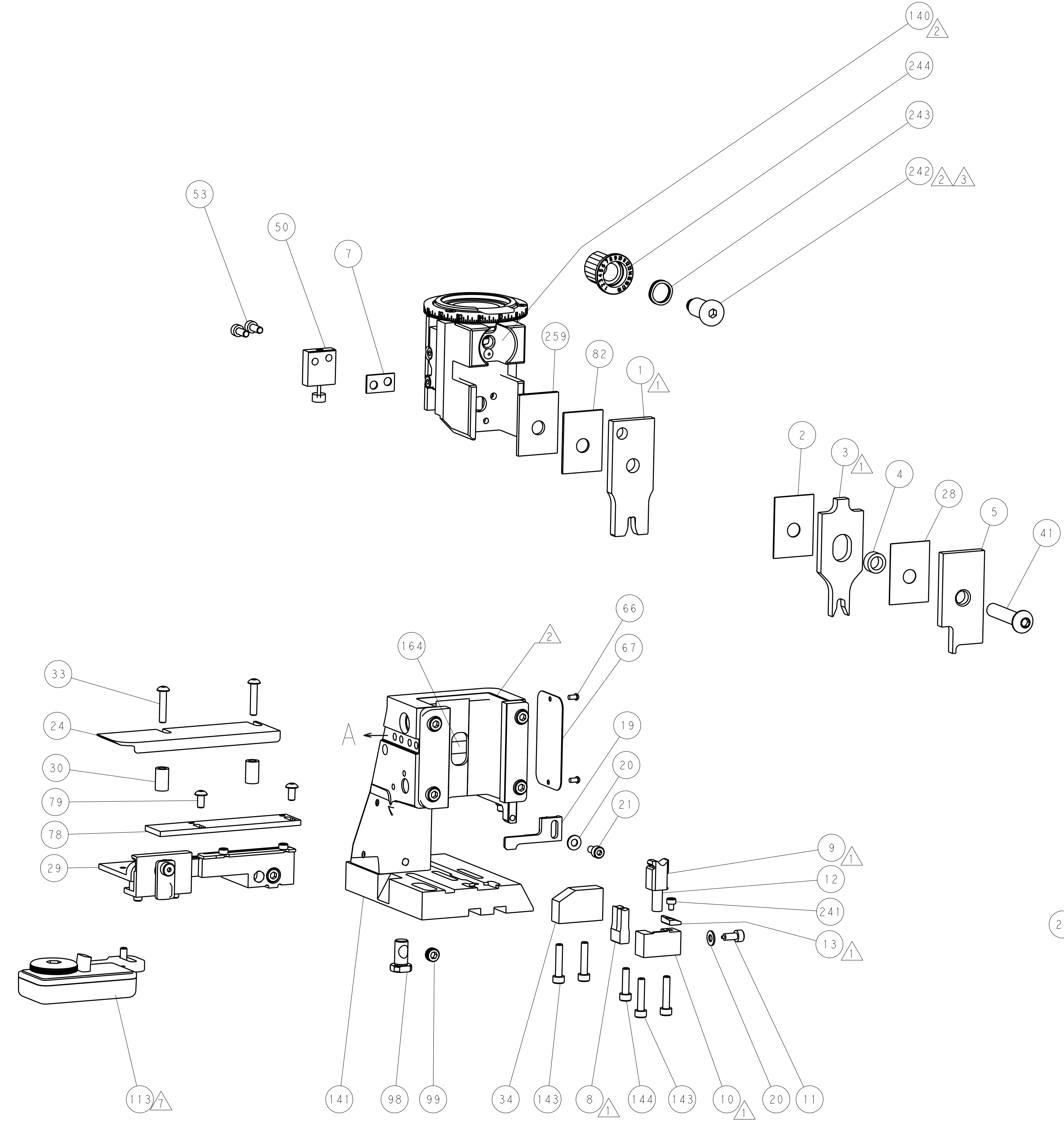
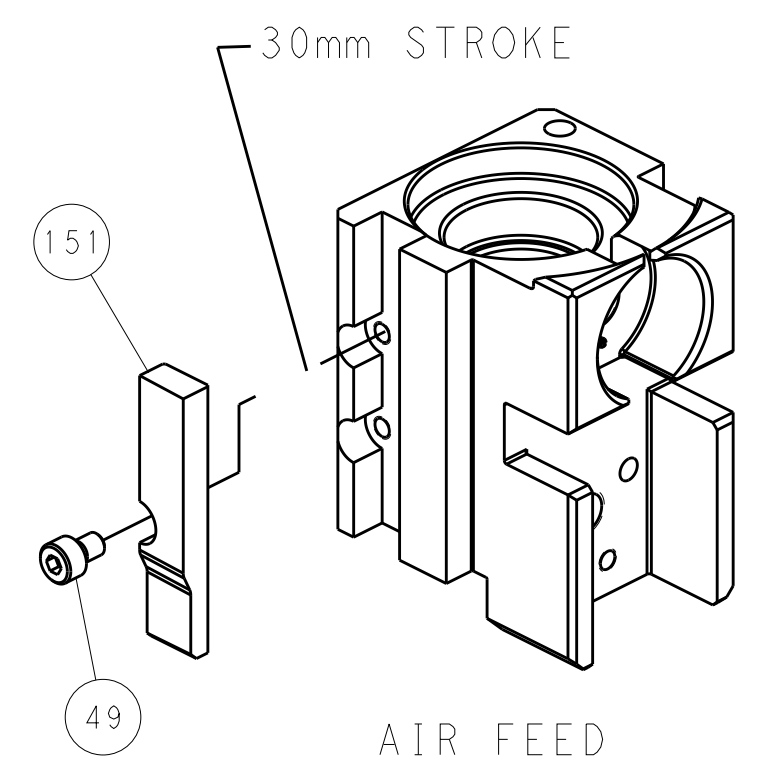
#### PNEUMATIC



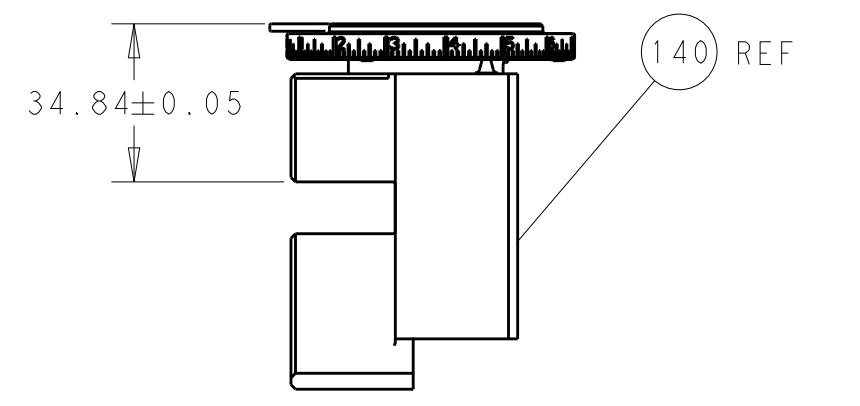
FEED SPRING SETTING POSITION  
(SHOWN FROM REAR SIDE)



### CAM POSITION

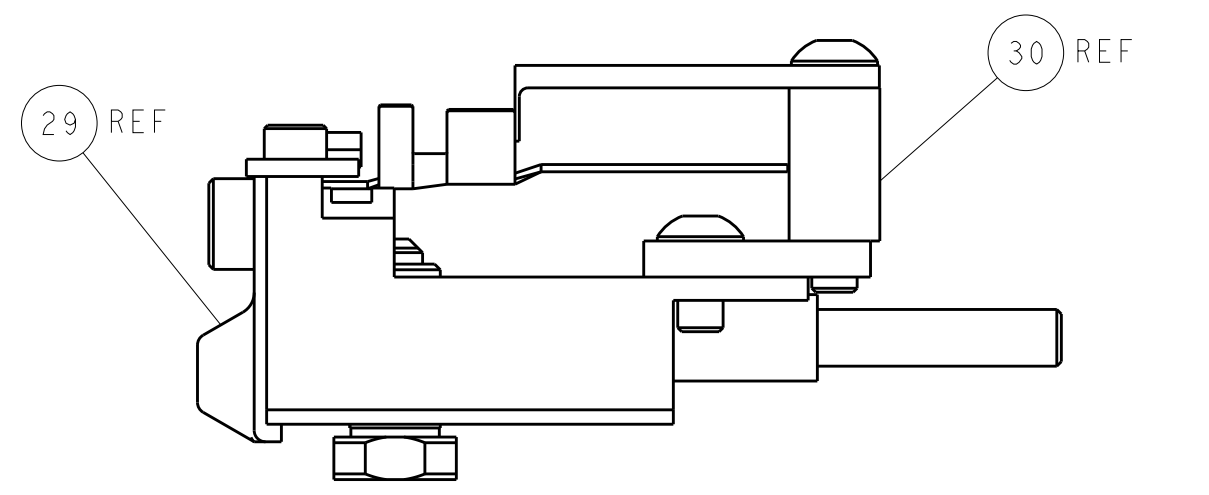


TERMINAL SUPPORT LOCATION



RAM SET-UP

ITEM 30 LOCATED AT  
FRONT HOLES



FEED TRACK POSITION  
GUIDE BY WIRE BARREL

**PACIFIC VERSION**  
 Shown on sheets 3 of 4 & 4 of 4  
 (Atlantic version shown on sheets 1 of 4 & 2 of 4)

DIMENSIONS:		TOLERANCES UNLESS OTHERWISE SPECIFIED:		DWN T. BROOKENS 16FEB2018		STE TE Connectivity	
mm	0 PLC ±	1 PLC ±	2 PLC ±	3 PLC ±	4 PLC ±	ANGLES ±	Harrisburg, PA 17105-3608
MATERIAL	FINISH	OTHERWISE SPECIFIED:		CHK M. HERR 16FEB2018	NAME		
				APVD C. TOPPER 16FEB2018	Ocean Side Feed Applicator		
				PRODUCT SPEC	RESTRICTED TO		
				APPLICATION SPEC	SIZE CAGE CODE DRAWING NO		
				WEIGHT	A1 00779 C=2837140		
				Customer Accessible Production Drawing	SCALE 1:2	SHEET 4 OF 4	REV D