

ATLANTIC VERSION TERMINATOR INTERFACE ADAPTER	PART NUMBER	REVISION	DESCRIPTION	FEED TYPE
	2836904-2	A	FINE CRIMP HEIGHT ADJUST	PNEUMATIC
	2836904-5	A	FINE CRIMP HEIGHT ADJUST	SERVO LATCH PLATE ¹⁴
	2836904-6	A	NON-CRIMP HEIGHT ADJUST	SERVO LATCH PLATE ¹²
	2836904-7	A	FINE CRIMP HEIGHT ADJUST	NONE
	7-2836904-7	A	CRIMP TOOLING KIT	-

SUPERSEDED BY 5-2151499-2

OBSOLETE

OBSOLETE

OBSOLETE

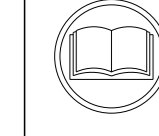
APPLICATOR DATA		
CRIMP	SIZE	TYPE
WIRE	2.39 mm [.094]	F
INSUL	4.32 mm [.170]	O

APPLICATOR INSTRUCTIONS 408-10389

TERMINAL DATA: DELPHI PACKARD TERMINAL DELPHI PACKARD CRIMP SPECIFICATION	
TERMINAL NAME: TAXI TERMINAL W/P I-PIN	
WIRE STRIP LENGTH 4.82-5.58 mm [.190-.220 IN]	INSULATION DIAMETER RANGE Ø
TERMINAL APPLICATION SPECIFICATION (A)12089040 PAGE 5 OF 40 Rev 2013-10-30	
TERMINALS APPLIED ¹³	

TE TERMINAL	DELPHI PACKARD TERMINAL	TE SEAL	DELPHI PACKARD SEAL	CABLE DIAMETER
(A) 286550-1	(A) 12089040	(A) 1949092-1	(A) 15324985	Ø1.60-2.15
		(A) 1949092-2	(A) 15324982	Ø2.03-2.85
		(A) 1949772-1	(A) 15324983	Ø1.29-1.70
		(A) 286553-1	(A) 12015323	Ø2.03-2.85

WIRE SIZE	CRIMP HEIGHT mm [INCH]	CRIMP HEIGHT REFERENCE SETTING
0.80mm2	1.15+/-0.05 [.045+/- .002]	7.4
0.50mm2	1.10+/-0.05 [.043+/- .002]	7.9



- ¹ RECOMMENDED SPARE PARTS
- ² GREASE BEARING SURFACES LIGHTLY
- 3. LUBRICATE DAILY PER THE APPLICATOR INSTRUCTION SHEET SUPPLIED WITH THE APPLICATOR.
- ⁴ APPLICATOR SPECIFIC DATA TO BE ENTERED INTO BLANK MEMORY CHIP AT ASSEMBLY. SEE BELOW FOR PART NUMBER:
 PNEUMATIC FEED WITH "SMART APPLICATOR" CONVERSION: 8-2836904-4
 SERVO FEED WITH "FINE CRIMP HEIGHT ADJUST": 8-2836904-5
 SERVO FEED WITH "NON-CRIMP HEIGHT ADJUST": 8-2836904-6
- 5. ADJUSTMENT OF THE STRIPPER MAY BE REQUIRED WHEN MOVING THE APPLICATOR BETWEEN BENCH AND LEADMAKER APPLICATIONS.
- ⁶ APPLY PART NUMBER 1-23419-5 LOCTITE TO THREADS OF ITEMS 62 & 180. APPLY PART NUMBER 2-23419-6 LOCTITE TO THREADS OF ITEM 242. FOR -6 ONLY APPLY PART NUMBER 1-23419-5 LOCTITE TO THREADS OF ITEMS 37 & 180.
- ⁷ GREASE THREADS, GROOVE AND O-RING ON ITEMS 35 & 252.
- ⁸ MAGNET, ITEM 166 MUST BE ORIENTED CORRECTLY IN ORDER TO PROPERLY ACTUATE THE COUNTER.
- ⁹ CRIMP HEIGHT REFERENCE SETTING WAS THE SETTING USED WHEN THE APPLICATOR WAS QUALIFIED AT THE FACTORY. ADJUSTMENT MAY BE NECESSARY WHEN RUNNING APPLICATOR IN THE FIELD.
- ¹⁰ TERMINAL PITCH NOT COMPATIBLE WITH MECHANICAL FEED.
- ¹¹ TO CONVERT THE APPLICATOR TO A NON-CARRIER CUTTING STYLE, REMOVE ITEM 13 AND ATTACH TO THE LOCATION ON THE BACK SIDE OF THE HOUSING. REFER TO INSTRUCTION SHEET FOR ADDITIONAL INFORMATION.
- ¹² WHEN ASSEMBLING A NON CRIMP HEIGHT ADJUST APPLICATOR (-6) USE SHIMS FROM ITEM 260 TO ACHIEVE A NOMINAL SHIM HEIGHT OF 4.65.
- ¹³ THIS APPLICATOR APPLIES TERMINAL WITH A SEAL.
- ¹⁴ APPLY TORO-SEAL IN ALLEN SOCKET TO FILL HOLE AFTER FLAT HD HAS BEEN ADJUSTED TO CORRECT HEIGHT AT QUALIFICATION. APPLY #1-23419-5 LOC-TITE TO THREADS.
- ¹⁵ THIS APPLICATOR IS SPECIFIC FOR USE IN A STRIPPER SEAL TERMINATING UNIT.

*WARNING
 ON INSTALLATION, SET WIRE DISC, ITEM 40 TO LARGEST WIRE SIZE SETTING. USE OF SETTINGS BELOW MINIMUM REQUIRED CRIMP HEIGHT SETTING WILL CAUSE DAMAGE TO CRIMP TOOLING.

TERMINAL DATA: DELPHI PACKARD TERMINAL DELPHI PACKARD CRIMP SPECIFICATION	
TERMINAL NAME: TAXI TERMINAL W/P I-PIN	
WIRE STRIP LENGTH 4.82-5.58 mm [.190-.220 IN]	INSULATION DIAMETER RANGE Ø
TERMINAL APPLICATION SPECIFICATION (B)12146501 PAGE 1 & 2 OF 3 Rev 2013-10-29	
TERMINALS APPLIED ¹³	

TE TERMINAL	DELPHI PACKARD TERMINAL	TE SEAL	DELPHI PACKARD SEAL	CABLE DIAMETER
(B) 286550-2	(B) 12146501	(B) 1949092-1	(B) 15324985	Ø1.60-2.15
		(B) 1949092-2	(B) 15324982	Ø2.03-2.85
		(B) 1949772-1	(B) 15324983	Ø1.29-1.70
		(B) 286553-1	(B) 12015323	Ø2.03-2.85

WIRE SIZE	CRIMP HEIGHT mm [INCH]	CRIMP HEIGHT REFERENCE SETTING
0.80mm2	1.10+/-0.05 [.043+/- .002]	7.9
0.50mm2	1.05+/-0.05 [.041+/- .002]	8.4

TERMINAL DATA: DELPHI PACKARD TERMINAL DELPHI PACKARD CRIMP SPECIFICATION	
TERMINAL NAME: TAXI TERMINAL W/P I-SOCKET	
WIRE STRIP LENGTH 4.82-5.58 mm [.190-.220 IN]	INSULATION DIAMETER RANGE Ø
TERMINAL APPLICATION SPECIFICATION (C)12089188 PAGE 5 & 8 OF 35 Rev 2014-03-04	
TERMINALS APPLIED ¹³	

TE TERMINAL	DELPHI PACKARD TERMINAL	TE SEAL	DELPHI PACKARD SEAL	CABLE DIAMETER
(C) 286551-1	(C) 12089188	(C) 1949092-1	(C) 15324985	Ø1.60-2.15
		(C) 1949092-2	(C) 15324982	Ø2.03-2.85
		(C) 1949772-1	(C) 15324983	Ø1.29-1.70
		(C) 286553-1	(C) 12015323	Ø2.03-2.85

WIRE SIZE	CRIMP HEIGHT mm [INCH]	CRIMP HEIGHT REFERENCE SETTING
0.80mm2	1.15+/-0.05 [.045+/- .002]	7.4
0.50mm2	1.10+/-0.05 [.043+/- .002]	7.9

ITEM NO	PART NO	DESCRIPTION	ITEM NO
260	2119957-2	APPLICATOR SHIM PACK	260
252	8-21084-0	O-RING, .676 ID, .070 DIA. MAT.	252
250	2119640-1	PUSH ROD, AIR FEED	250
249	1803259-1	BUSHING, FLANGED	249

ATLANTIC VERSION
 Shown on sheets 1 of 4 & 2 of 4
 (Pacific version shown on sheets 3 of 4 & 4 of 4)

SET UP GAUGE	LOC	DIST	REVISIONS			
2119599-1	A	66	#	DATE	OWN	APVD
			A	RELEASED	03OCT2017	TB CT
			A1	ECR-18-011932	27JUL2018	LG TE

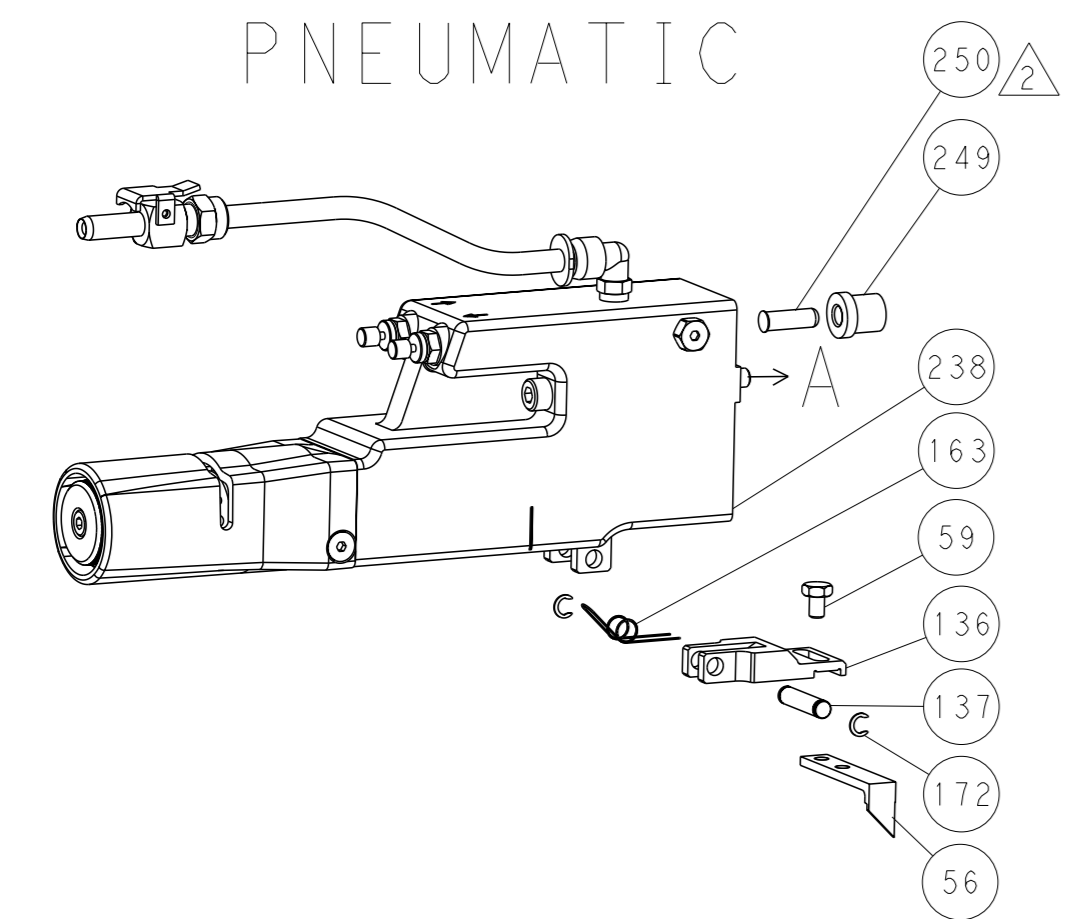
ITEM NO	PART NO	DESCRIPTION	ITEM NO
248	2119641-1	FEED CAM, AIR FEED	248
247	2119798-1	DETENT PIN	247
246	1-22279-3	SPRING, COMPRESSION	246
245	2119758-1	RAM, AMP STYLE, SIDE FEED, NON-ADJ.	245
244	2119082-6	CAM, SNAIL, INSULATION ADJUSTMENT	244
243	2079764-1	WASHER, WAVE SPRING, CREST-TO-CREST	243
242	2119083-1	RETAINER, INSULATION DIAL	242
241	7-18023-7	SCR, SKT HD CAP M3 X 4.0	241
240	2168400-6	SHCS, LOW HEAD, RoHS, M5 X 16	240
238	2063440-1	AIR FEED MODULE	238
213	2119740-2	TAG, IDENTIFICATION	213
198	1901094-3	SPACER, FEEDER	198
182	4-1722335-3	STRIPPER, SIDE FEED	182
181	1-5018030-0	NUT, HEX, REG, RoHS, M3.5	181
180	1-1752354-9	STANDOFF, HOLD-DOWN	180
177	993111-1	PIN, SLOTTED SPRING 3.0 X 20.0	177
176	5-22280-0	SPRING, COMPRESSION	176
175	1752353-3	GUIDE PIN, HOLDDOWN	175
174	1901680-2	GUIDE PIN, HOLDDOWN	174
172	21045-3	RING, RETAIN, EXTERN, 3/16 CRESCENT	172
166	994969-1	MAGNET, RARE EARTH HIGH ENERGY	166
164	994970-2	COUNTER, MAGNETIC	164
163	240638-1	SPRING, FEED FINGER	163
137	3-23627-7	PIN, RETAIN, GRVD, 3/16 X .854	137
136	2119799-1	HOLDER, FEED FINGER, AF	136
135	REF REF	SEE NOTE 4	135
133	1633743-1	SERVO FEED LATCH ASM	133
117	2119944-1	FEED FINGER ASSEMBLY, SF	117
82	455888-4	SPACER, CRIMPER	82
71	2119956-1	DOCUMENTATION PACKAGE	71
67	2119740-1	TAG, IDENTIFICATION	67
66	2168078-1	SCREW, DRIVE, RH, RoHS, 2 x .188	66
63	2119793-1	LIMITER, ADJUSTMENT BOLT	63
62	992763-5	SCR, SET, SOC, CONE PNT, M3 X 4.0	62
60	2079383-4	SCR, BHSC, RoHS (M4 X 8)	60
59	5-18022-5	SCR, HEX SKT CAP, M4 X 6.0	59
57	985575-3	SCR, FLT SKT HD CAP M3 X 10.0	57
56	1338685-1	PAWL, FEED	56
54	2168400-1	SHCS, LOW HEAD, RoHS, M4 X 12	54
53	2168083-3	SCR, SKT HD CAP, RoHS, M4 X 12.0	53
52	5018030-1	NUT, HEX, REG, RoHS, M3	52
51	811242-5	BUMPER, HOLD DOWN	51
50	690753-2	SPACER, TONKER	50
49	18023-9	SCR, SKT HD CAP M4 X 6.0	49
46	2-2119656-1	APPLICATOR BASIC ASSEMBLY, SF	46
44	2119370-1	RAM, AMP STYLE, SIDE FEED	44
41	2079383-7	SCR, BHSC, RoHS (M8 X 25)	41
40	2119645-1	DISC, NUMBERED FA WIRE ADJUSTMENT	40
39	2119957-1	APPLICATOR SHIM PACK	39
38	2119644-1	RAM WASHER, PRECISION	38
37	2119085-1	FA HEAD, ATLANTIC STYLE	37
35	2119092-1	BOLT, ADJUSTMENT	35
34	1752356-1	SUPPORT, TERMINAL	34
33	2079383-5	SCR, BHSC, RoHS (M4 X 20)	33
32	2161328-1	HEX HEAD, FLANGED, M5 X 8mm LONG	32
30	1-1320908-2	SPACER, STRIP GUIDE	30
29	2119959-1	ASSEMBLY, STRIP GUIDE	29
28	455888-5	SPACER, CRIMPER	28
24	1320928-6	STRIP GUIDE	24
20	1-18028-2	WASHER, FLAT, REG M4	20
13	2119806-1	INSERT, SHEAR	13
12	3-22280-3	SPRING, COMPRESSION	12
11	1-356885-4	STOP, SHEAR	11
10	2119805-1	SHEAR HOLDER, FRONT	10
9	318707-1	FLOATING SHEAR, FRONT	9
8	5-1633620-9	ANVIL, COMBINATION	8
7	3-240641-3	SPACER	7
6	-	-	6
5	2119781-1	DEPRESSOR, SHEAR	5
4	5-238011-7	BLOCK, CRIMPER SPACER	4
3	4-1633966-9	CRIMPER, INSULATION O	3
2	-	-	2
1	4-1490019-1	CRIMPER, WIRE PREMIUM	1

DIMENSIONS: mm		TOLERANCES UNLESS OTHERWISE SPECIFIED:		OWN T. BROOKS 11SEP2017		TE Connectivity	
0 PLC	±	1 PLC	±	CHK M. HERR 11SEP2017	Harrisburg, PA 17105-3608		NAME Ocean Side Feed Applicator
2 PLC	±	3 PLC	±	APVD T. ELBIN 11SEP2017	SIZE CAGE CODE DRAWING NO		
4 PLC	±	5 PLC	±	APPLICATION SPEC		RESTRICTED TO	
MATERIAL		FINISH		WEIGHT		SCALE 1:2 SHEET 1 of 4 REV A1	
				A1 00779 ©=2836904		Customer Accessible Production Drawing	

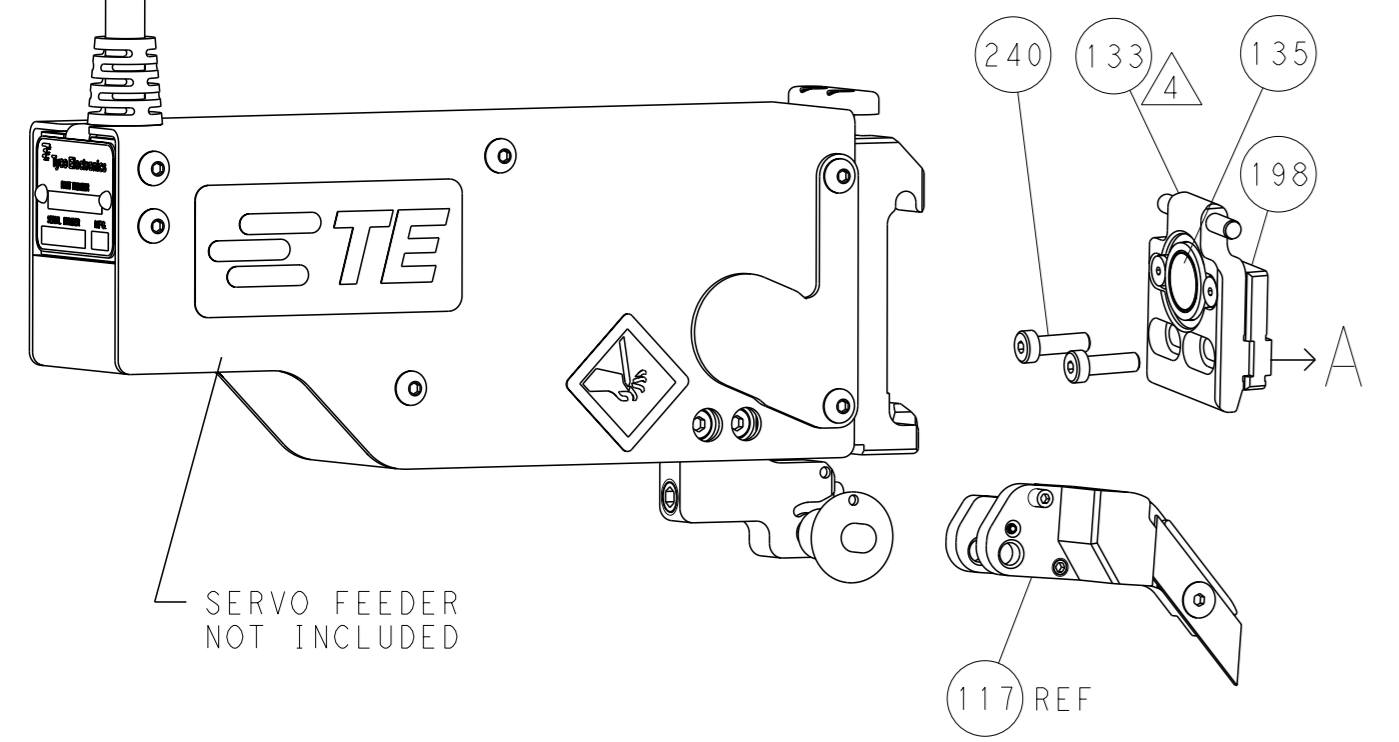
LOC	DIST	REV	DESCRIPTION	DATE	OWN	APVD
A	66		SEE SHEET 1			

FEED TYPE

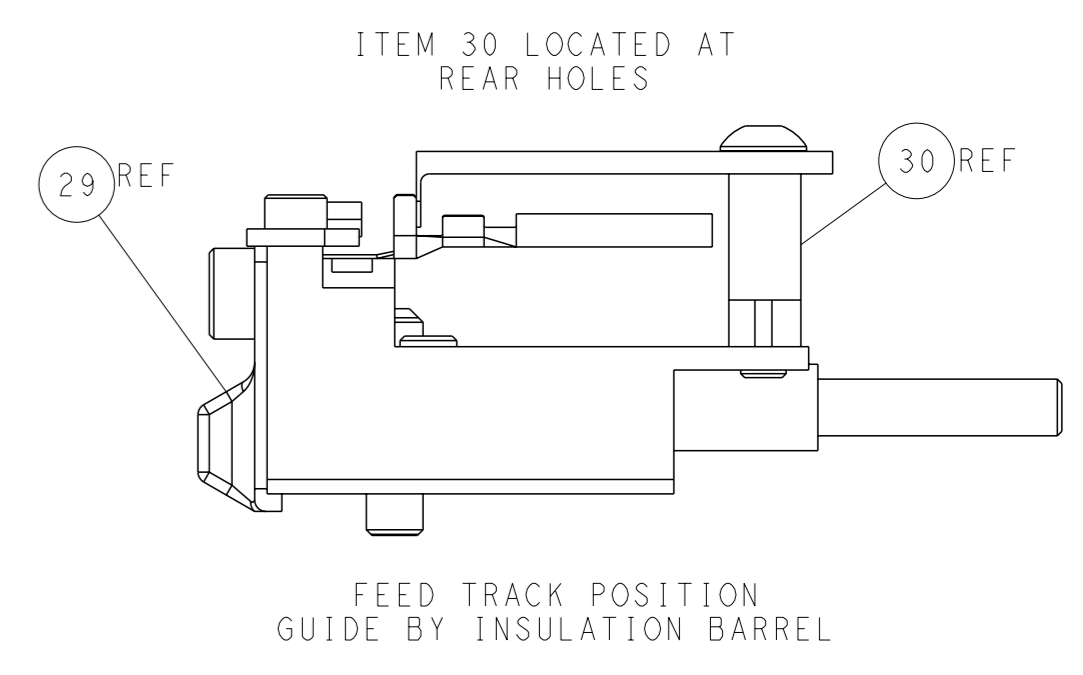
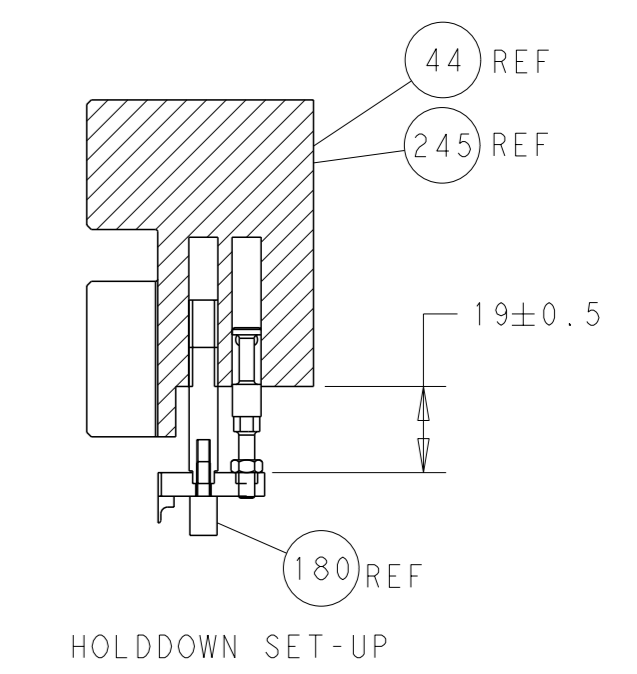
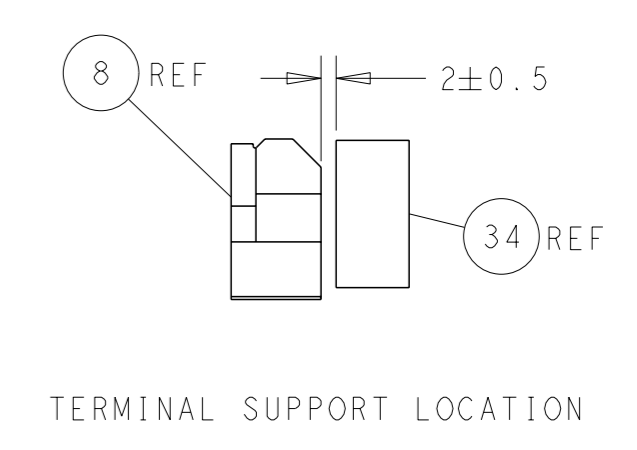
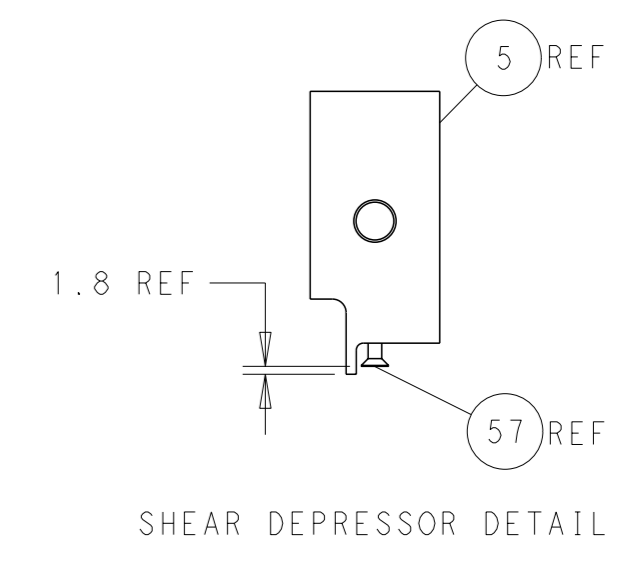
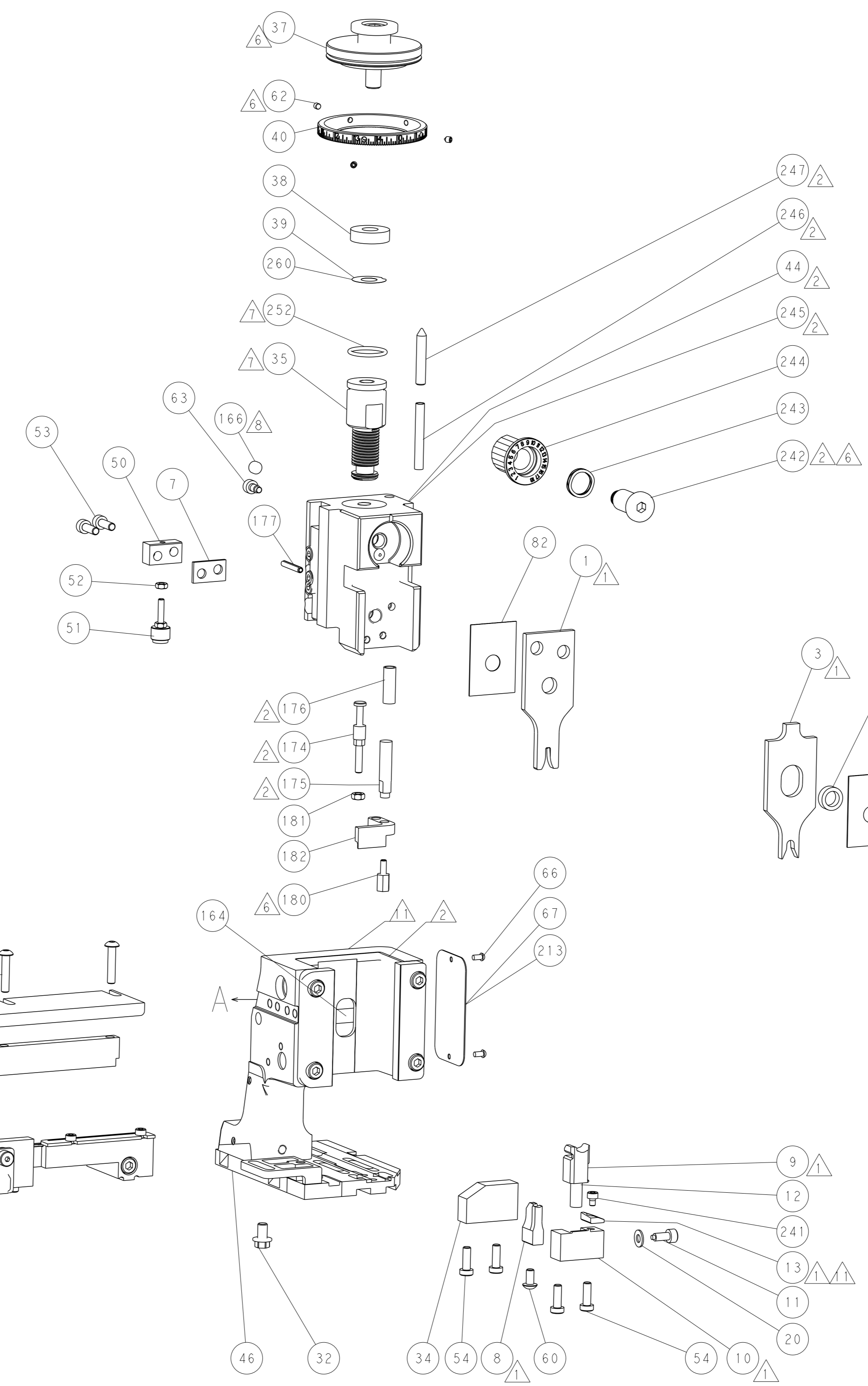
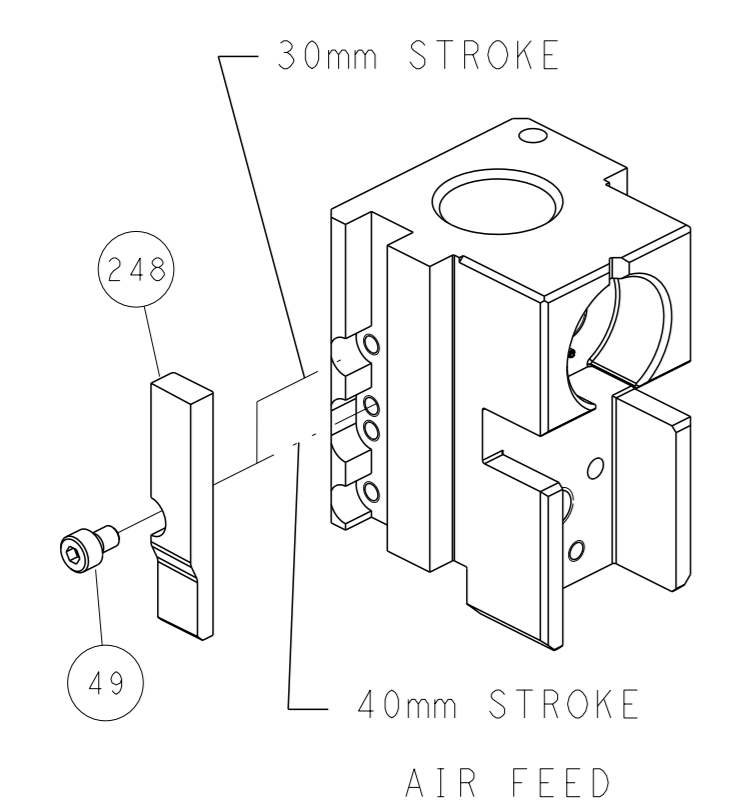
PNEUMATIC



SERVO LATCH PLATE



CAM POSITION



ATLANTIC VERSION
 Shown on sheets 1 of 4 & 2 of 4
 (Pacific version shown on sheets 3 of 4 & 4 of 4)

<small>THIS DRAWING IS A CONTROLLED DOCUMENT FOR TYCO ELECTRONICS CORPORATION. IT IS SUBJECT TO CHANGE AND THE CONTROL AND REVISIONS ORGANIZATION SHOULD BE CONTACTED FOR THE LATEST REVISION.</small>		DWN T. BROOKS 11SEP2017 CHK M. HERR 11SEP2017 APVD J. ELBIN 11SEP2017	TE Connectivity Harrisburg, PA 17105-3608
DIMENSIONS: mm TOLERANCES UNLESS OTHERWISE SPECIFIED: 0 PLC ± 1 PLC ± 2 PLC ± 3 PLC ± 4 PLC ± ANGLES FINISH ±		NAME Ocean Side Feed Applicator SIZE CAGE CODE DRAWING NO. A1 00779 C=2836904 WEIGHT - RESTRICTED TO -	SCALE 1:2 SHEET 2 of 4 REV A1
MATERIAL:		Customer Accessible Production Drawing	

PART NUMBER	REVISION	DESCRIPTION	FEED TYPE	STATUS
2-2836904-2	A	FINE CRIMP HEIGHT ADJUST	PNEUMATIC	OBSOLETE
2-2836904-5	A	FINE CRIMP HEIGHT ADJUST	SERVO LATCH PLATE	OBSOLETE
2-2836904-7	A	FINE CRIMP HEIGHT ADJUST	NONE	OBSOLETE
7-2836904-7	A	CRIMP TOOLING KIT	-	

APPLICATOR DATA		
CRIMP SIZE	TYPE	
WIRE 2.39 mm [.094]	F	
INSUL 4.32 mm [.170]	O	
APPLICATOR INSTRUCTIONS 408-10389		

TERMINAL DATA: DELPHI PACKARD TERMINAL DELPHI PACKARD CRIMP SPECIFICATION				
TERMINAL NAME: TAXI TERMINAL W/P I-PIN				
WIRE STRIP LENGTH 4.82-5.58 mm [.190-.220 IN]		INSULATION DIAMETER RANGE Ø		
TERMINAL APPLICATION SPECIFICATION (A)12089040 PAGE 5 OF 40 Rev 2013-10-30				
TERMINALS APPLIED				
TE TERMINAL	DELPHI PACKARD TERMINAL	TE SEAL	DELPHI PACKARD SEAL	CABLE DIAMETER
(A) 286550-1	(A) 12089040	(A) 1949092-1	(A) 15324985	Ø1.60-2.15
		(A) 1949092-2	(A) 15324982	Ø2.03-2.85
		(A) 1949772-1	(A) 15324983	Ø1.29-1.70
		(A) 286553-1	(A) 12015323	Ø2.03-2.85

WIRE SIZE	CRIMP HEIGHT mm [INCH]	CRIMP HEIGHT REFERENCE SETTING
0.80mm2	1.15+/-0.05 [.045+/- .002]	7.4
0.50mm2	1.10+/-0.05 [.043+/- .002]	7.9

- 1 RECOMMENDED SPARE PARTS
- 2 GREASE BEARING SURFACES LIGHTLY
- 3 LUBRICATE DAILY PER THE APPLICATOR INSTRUCTION SHEET SUPPLIED WITH THE APPLICATOR.
- 4 APPLICATOR SPECIFIC DATA TO BE ENTERED INTO BLANK MEMORY CHIP AT ASSEMBLY. SEE BELOW FOR PART NUMBER:
PNEUMATIC FEED WITH "SMART APPLICATOR" CONVERSION: 8-2836904-4
SERVO FEED WITH "FINE CRIMP HEIGHT ADJUST": 8-2836904-5
- 5 ADJUSTMENT OF THE STRIPPER MAY BE REQUIRED WHEN MOVING THE APPLICATOR BETWEEN BENCH AND LEADMAKER APPLICATIONS.
- 6 APPLY PART NUMBER 1-23419-5 LOCTITE TO THREADS OF ITEMS 62 & 180. APPLY PART NUMBER 2-23419-6 LOCTITE TO THREADS OF ITEM 242.
- 7 GREASE THREADS, GROOVE AND O-RING ON ITEMS 139 & 152.
- 8 MAGNET MUST BE ORIENTED CORRECTLY IN ORDER TO PROPERLY ACTUATE THE COUNTER.
- 9 CRIMP HEIGHT REFERENCE SETTING WAS THE SETTING USED WHEN THE APPLICATOR WAS QUALIFIED AT THE FACTORY. ADJUSTMENT MAY BE NECESSARY WHEN RUNNING APPLICATOR IN THE FIELD.
- 10 TERMINAL PITCH NOT COMPATIBLE WITH MECHANICAL FEED.
- 11 TO CONVERT THE APPLICATOR TO A NON-CARRIER CUTTING STYLE, REMOVE ITEM 13 AND ATTACH TO THE LOCATION ON BACK SIDE OF THE HOUSING. REFER TO INSTRUCTION SHEET FOR ADDITIONAL INFORMATION.
- 12 THIS APPLICATOR APPLIES TERMINAL WITH A SEAL.
- 13 APPLY TORO-SEAL IN ALLEN SOCKET TO FILL HOLE AFTER FLAT HD HAS BEEN ADJUSTED TO CORRECT HEIGHT AT QUALIFICATION. APPLY #1-23419-5 LOC-TITE TO THREADS.
- 14 THIS APPLICATOR IS SPECIFIC FOR USE IN A STRIPPER SEAL TERMINATING UNIT.

***WARNING**
ON INSTALLATION, SET WIRE DISC, ITEM 40 TO LARGEST WIRE SIZE SETTING. USE OF SETTINGS BELOW MINIMUM REQUIRED CRIMP HEIGHT SETTING WILL CAUSE DAMAGE TO CRIMP TOOLING.

TERMINAL DATA: DELPHI PACKARD TERMINAL DELPHI PACKARD CRIMP SPECIFICATION				
TERMINAL NAME: TAXI TERMINAL W/P I-PIN				
WIRE STRIP LENGTH 4.82-5.58 mm [.190-.220 IN]		INSULATION DIAMETER RANGE Ø		
TERMINAL APPLICATION SPECIFICATION (B)12146501 PAGE 1 & 2 OF 3 Rev 2013-10-29				
TERMINALS APPLIED				
TE TERMINAL	DELPHI PACKARD TERMINAL	TE SEAL	DELPHI PACKARD SEAL	CABLE DIAMETER
(B) 286550-2	(B) 12146501	(B) 1949092-1	(B) 15324985	Ø1.60-2.15
		(B) 1949092-2	(B) 15324982	Ø2.03-2.85
		(B) 1949772-1	(B) 15324983	Ø1.29-1.70
		(B) 286553-1	(B) 12015323	Ø2.03-2.85

WIRE SIZE	CRIMP HEIGHT mm [INCH]	CRIMP HEIGHT REFERENCE SETTING
0.80mm2	1.10+/-0.05 [.043+/- .002]	7.9
0.50mm2	1.05+/-0.05 [.041+/- .002]	8.4

TERMINAL DATA: DELPHI PACKARD TERMINAL DELPHI PACKARD CRIMP SPECIFICATION				
TERMINAL NAME: TAXI TERMINAL W/P I-SOCKET				
WIRE STRIP LENGTH 4.82-5.58 mm [.190-.220 IN]		INSULATION DIAMETER RANGE Ø		
TERMINAL APPLICATION SPECIFICATION (C)12089188 PAGE 5 & 8 OF 35 Rev 2014-03-04				
TERMINALS APPLIED				
TE TERMINAL	DELPHI PACKARD TERMINAL	TE SEAL	DELPHI PACKARD SEAL	CABLE DIAMETER
(C) 286551-1	(C) 12089188	(C) 1949092-1	(C) 15324985	Ø1.60-2.15
		(C) 1949092-2	(C) 15324982	Ø2.03-2.85
		(C) 1949772-1	(C) 15324983	Ø1.29-1.70
		(C) 286553-1	(C) 12015323	Ø2.03-2.85

WIRE SIZE	CRIMP HEIGHT mm [INCH]	CRIMP HEIGHT REFERENCE SETTING
0.80mm2	1.15+/-0.05 [.045+/- .002]	7.4
0.50mm2	1.10+/-0.05 [.043+/- .002]	7.9

-77-27-25-22	PART NO	DESCRIPTION	ITEM NO
-	1 1 1 1	2119782-1 FINE ADJUST HEAD ASM, PACIFIC STYLE	251
-	- - - 1	2119640-1 PUSH ROD, AIR FEED	250

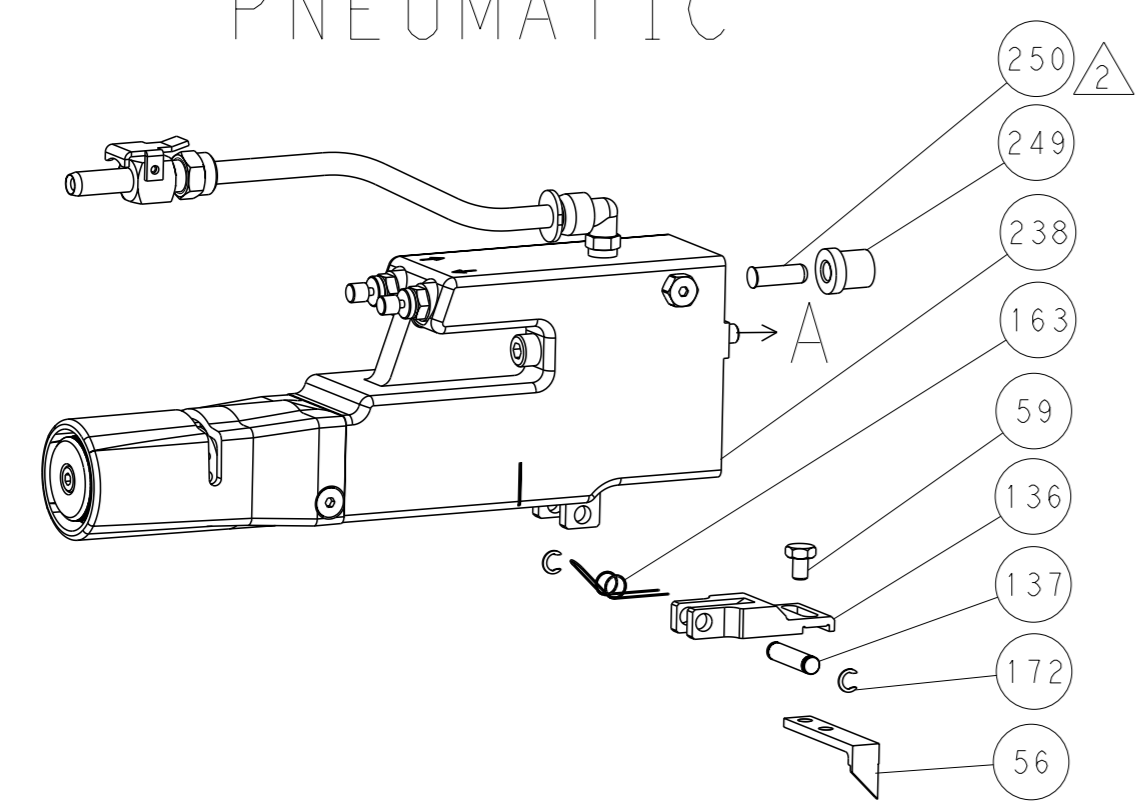
PACIFIC VERSION
Shown on sheets 3 of 4 & 4 of 4
(Atlantic version shown on sheets 1 of 4 & 2 of 4)

SET UP GAUGE 2119599-1		LOC A	DIST 66	REVISIONS			
P	LYR	DESCRIPTION	DATE	OWN	APVD		
-	-	SEE SHEET 1	-	-	-		
-	-	-	1	1803259-1	BUSHING, FLANGED	249	
-	1	1	1	1-22279-3	SPRING, COMPRESSION	246	
-	1	1	1	2119082-6	CAM, SNAIL, INSULATION ADJUSTMENT	244	
-	1	1	1	2079764-1	WASHER, WAVE SPRING, CREST-TO-CREST	243	
6	-	1	1	2119083-1	RETAINER, INSULATION DIAL	242	
-	1	1	1	7-18023-7	SCR, SKT HD CAP M3 X 4.0	241	
-	-	2	-	2168400-6	SHCS, LOW HEAD, RoHS, M5 X 16	240	
-	-	-	1	2063440-1	AIR FEED MODULE	238	
-	-	1	-	2119740-2	TAG, IDENTIFICATION	213	
-	-	1	-	1901094-3	SPACER, FEEDER	198	
-	1	1	1	4-1722335-3	STRIPPER, SIDE FEED	182	
-	1	1	1	1-5018030-0	NUT, HEX, REG, RoHS, M3.5	181	
6	-	1	1	1-1752354-9	STANDOFF, HOLD-DOWN	180	
-	1	1	1	993111-1	PIN, SLOTTED SPRING 3.0 X 20.0	177	
-	1	1	1	5-22280-0	SPRING, COMPRESSION	176	
-	1	1	1	1752353-3	GUIDE PIN, HOLDDOWN	175	
-	1	1	1	1901680-2	GUIDE PIN, HOLDDOWN	174	
-	-	-	2	21045-3	RING, RETAIN, EXTERN, 3/16 CRESCENT	172	
-	1	1	1	994969-1	MAGNET, RARE EARTH HIGH ENERGY	166	
-	REF	REF	REF	994970-2	COUNTER, MAGNETIC	164	
-	-	-	1	240638-1	SPRING, FEED FINGER	163	
7	-	1	1	8-21084-1	O-RING, .801 ID, .070 DIA. MAT.	152	
-	-	-	1	2119641-2	FEED CAM, AIR FEED	151	
-	1	1	1	2119798-2	DETENT PIN	145	
-	1	1	1	2079383-8	SCR, BHSC, RoHS (M4 X 16)	144	
-	4	4	4	2168400-5	SHCS, LOW HEAD, RoHS, M4 X 20	143	
-	1	1	1	2-2119656-2	APPLICATOR BASIC ASSEMBLY, SF	141	
-	1	1	1	2119650-1	RAM, ASIAN STYLE, SIDE FEED	140	
7	-	1	1	2119092-2	BOLT, ADJUSTMENT	139	
-	-	-	1	3-23627-7	PIN, RETAIN, GRVD, 3/16 X .854	137	
-	-	-	1	2119799-1	HOLDER, FEED FINGER, AF	136	
-	-	REF	-	SEE NOTE 4	MEMORY CHIP, PROGRAMMED	135	
-	-	1	-	1633743-1	SERVO FEED LATCH ASM	133	
-	-	REF	-	2119944-1	FEED FINGER ASSEMBLY, SF	117	
-	1	1	1	455888-4	SPACER, CRIMPER	82	
-	1	1	1	2119956-1	DOCUMENTATION PACKAGE	71	
-	1	-	1	2119740-1	TAG, IDENTIFICATION	67	
-	2	2	2	2168078-1	SCREW, DRIVE, RH, RoHS, 2 x .188	66	
-	1	1	1	2119793-1	LIMITER, ADJUSTMENT BOLT	63	
6	-	3	3	992763-5	SCR, SET, SOC, CONE PNT, M3 X 4.0	62	
-	-	-	1	5-18022-5	SCR, HEX HD CAP, M4 X 6.0	59	
13	-	1	1	985575-3	SCR, FLT SKT HD CAP M3 X 10.0	57	
-	-	-	1	1338685-1	PAWL, FEED	56	
-	2	2	2	2168083-3	SCR, SKT HD CAP, RoHS, M4 X 12.0	53	
-	1	1	1	5018030-1	NUT, HEX, REG, RoHS, M3	52	
-	1	1	1	811242-5	BUMPER, HOLD DOWN	51	
-	1	1	1	690753-2	SPACER, TONKER	50	
-	-	-	1	18023-9	SCR, SKT HD CAP M4 X 6.0	49	
-	1	1	1	2079383-7	SCR, BHSC, RoHS (M8 X 25)	41	
-	1	1	1	2119645-1	DISC, NUMBERED FA WIRE ADJUSTMENT	40	
-	1	1	1	2119957-1	APPLICATOR SHIM PACK	39	
-	1	1	1	2119644-1	RAM WASHER, PRECISION	38	
-	1	1	1	1752356-1	SUPPORT, TERMINAL	34	
-	2	2	2	2079383-5	SCR, BHSC, RoHS (M4 X 20)	33	
-	1	1	1	2161328-1	HEX HEAD, FLANGED, M5 X 8mm LONG	32	
-	1	1	1	1-1320908-2	SPACER, STRIP GUIDE	30	
-	1	1	1	2119959-1	ASSEMBLY, STRIP GUIDE	29	
-	1	1	1	455888-5	SPACER, CRIMPER	28	
-	1	1	1	1320928-6	STRIP GUIDE	24	
-	1	1	1	1-18028-2	WASHER, FLAT, REG M4	20	
1	-	1	1	2119806-1	INSERT, SHEAR	13	
-	1	1	1	3-22280-3	SPRING, COMPRESSION	12	
-	1	1	1	1-356885-4	STOP, SHEAR	11	
1	-	1	1	2119805-1	SHEAR HOLDER, FRONT	10	
1	-	1	1	318707-1	FLOATING SHEAR, FRONT	9	
1	1	1	1	5-1633620-9	ANVIL, COMBINATION	8	
-	1	1	1	3-240641-3	SPACER	7	
-	-	-	-	-	-	6	
-	1	1	1	2119781-1	DEPRESSOR, SHEAR	5	
-	1	1	1	5-238011-7	BLOCK, CRIMPER SPACER	4	
1	1	1	1	4-1633966-9	CRIMPER, INSULATION O	3	
-	-	-	-	-	-	2	
1	1	1	1	4-1490019-1	CRIMPER, WIRE PREMIUM	1	

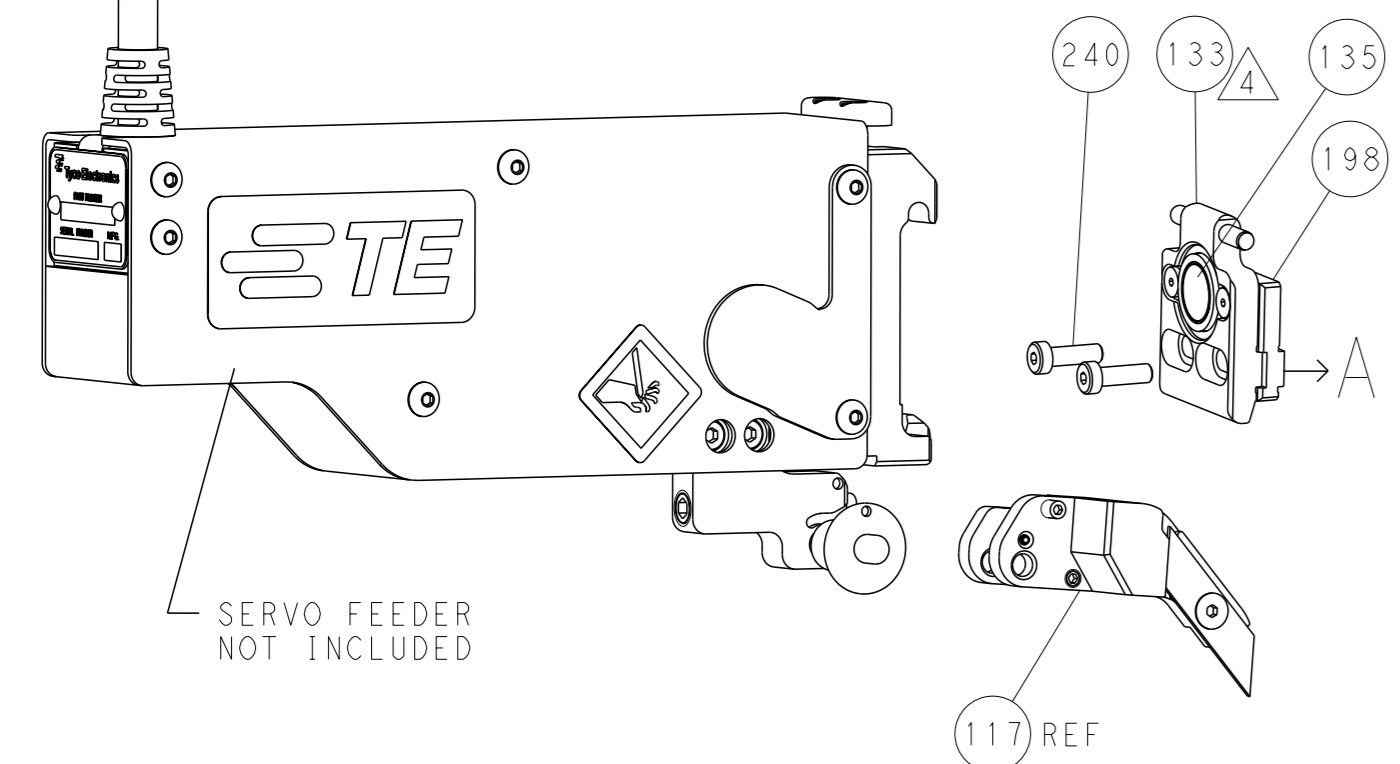
DIMENSIONS:		TOLERANCES UNLESS OTHERWISE SPECIFIED:		MATERIAL:	
mm	0 PLC ±	1 PLC ±	2 PLC ±	3 PLC ±	4 PLC ±
	ANGLES	FINISH			
NAME: Ocean Side Feed Applicator		SIZE: A1	CAGE CODE: 00779	DRAWING NO: 2836904	RESTRICTED TO: -
Customer Accessible Production Drawing		SCALE: 1:2	SHEET: 3 of 4	REV: A1	

LOC	DIST	REVISIONS			
A	66	REV	DATE	OWN	APVD
		-	SEE SHEET 1	-	-

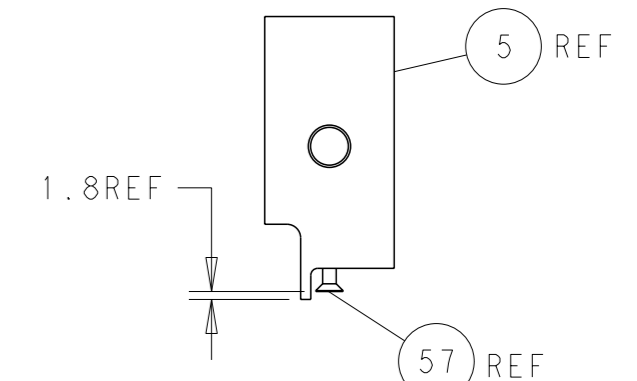
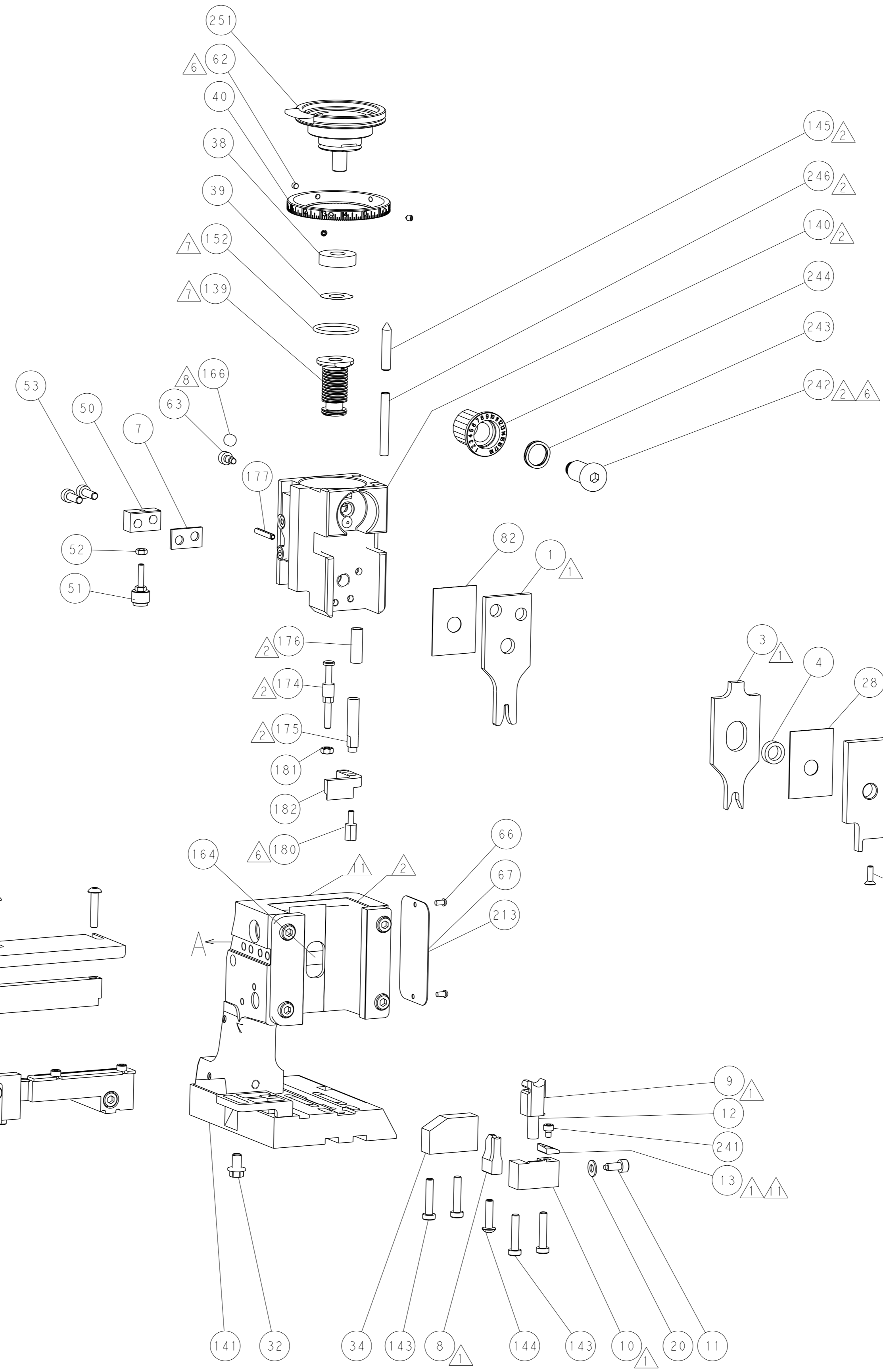
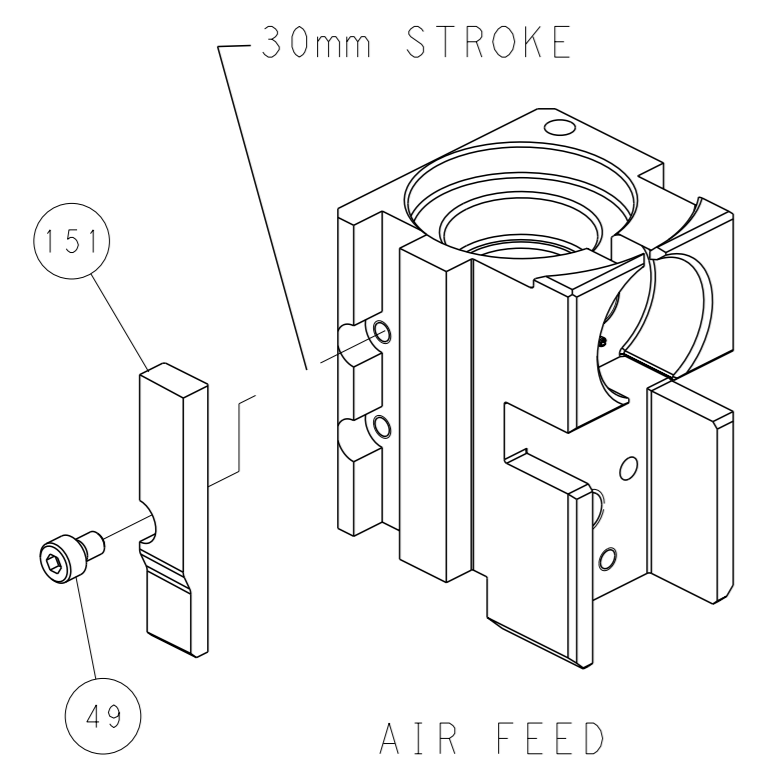
FEED TYPE PNEUMATIC



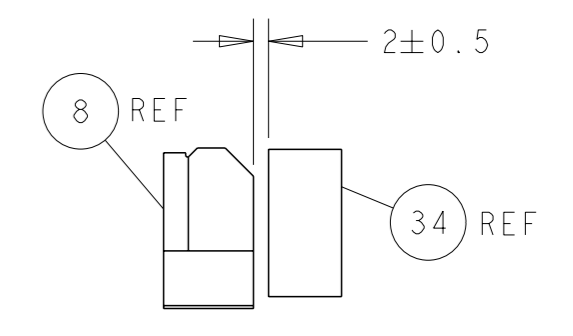
SERVO LATCH PLATE



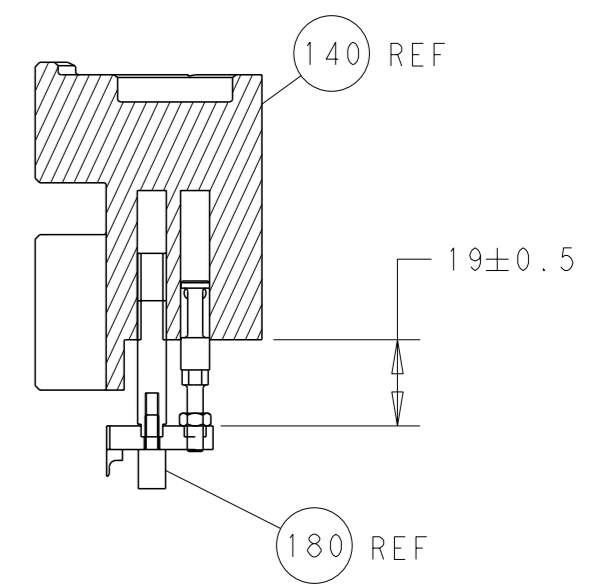
CAM POSITION



SHEAR DEPRESSOR DETAIL

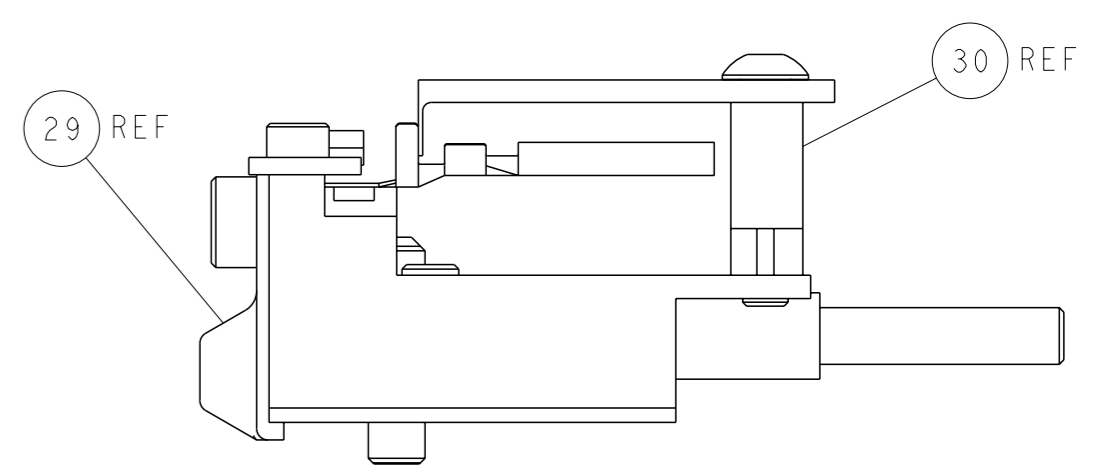


TERMINAL SUPPORT LOCATION



HOLDDOWN SET-UP

ITEM 30 LOCATED AT REAR HOLES



FEED TRACK POSITION
GUIDE BY INSULATION BARREL

PACIFIC VERSION
 Shown on sheets 3 of 4 & 4 of 4
 (Atlantic version shown on sheets 1 of 4 & 2 of 4)

<small>THIS DRAWING IS A CONTROLLED DOCUMENT FOR TYCO ELECTRONICS CORPORATION. IT IS SUBJECT TO CHANGE AND THE CONTROLLER ENGINEERING ORGANIZATION SHOULD BE CONTACTED FOR THE LATEST REVISION.</small>		DWN: T. BROOKENS 11SEP2017 CHK: M. HERR 11SEP2017 APVD: J. ELBIN 11SEP2017	TE Connectivity Harrisburg, PA 17105-3608
DIMENSIONS: mm TOLERANCES UNLESS OTHERWISE SPECIFIED: 0 PLC ± 1 PLC ± 2 PLC ± 3 PLC ± 4 PLC ± ANGLES FINISH ±	NAME: Ocean Side Feed Applicator SIZE: A1 CAGE CODE: 00779 DRAWING NO: 2836904 RESTRICTED TO:	WEIGHT: - SCALE: 1:2 SHEET: 4 of 4 REV: A1	Customer Accessible Production Drawing