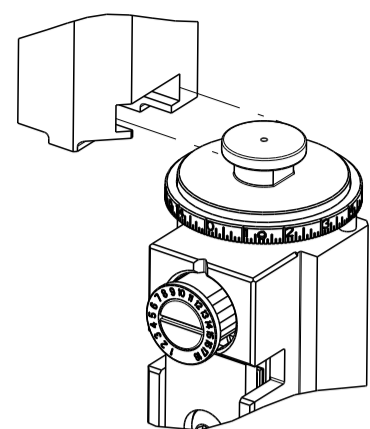


PART NUMBER	REVISION	DESCRIPTION	FEED TYPE
2836903-2	B	FINE CRIMP HEIGHT ADJUST	PNEUMATIC
7-2836903-2	B	PNEUMATIC AND CRIMP TOOLING KIT	PNEUMATIC
7-2836903-7	A	CRIMP TOOLING KIT	-

ATLANTIC VERSION TERMINATOR INTERFACE ADAPTER

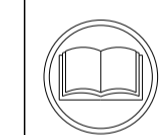


APPLICATOR DATA		
CRIMP	SIZE	TYPE
WIRE	3.00 mm [.118]	F
INSUL	3.80 mm [.150]	F

APPLICATOR INSTRUCTIONS 408-35042

TERMINAL DATA: DELPHI TERMINAL DELPHI PACKARD CRIMP SPECIFICATION			
TERMINAL NAME: TAXI TERMINAL FEMALE 58 SERIES			
WIRE STRIP LENGTH		INSULATION DIAMETER RANGE	
4.64-5.40 mm [.183-.213 IN]		∅2.45-3.95 mm [.096-.156 IN]	
TERMINAL APPLICATION SPECIFICATION		06288218 PAGE 3 & 6 OF 12 Rev 2013-10-29	-
TERMINALS APPLIED			
TE TERMINAL	DELPHI TERMINAL	TE TERMINAL	DELPHI TERMINAL
2318364-1	06288218	2318364-2	02965470

WIRE SIZE	CRIMP HEIGHT mm [INCH]	CRIMP HEIGHT REFERENCE SETTING
2.00mm2	1.60 +/- 0.05 [1.063 +/- .002]	6.3
1.00mm2	1.55 +/- 0.05 [1.061 +/- .002]	6.7



- RECOMMENDED SPARE PARTS
- REFER TO SUPPLIED INSTRUCTION SHEET FOR CLEANING, LUBRICATION AND STORAGE OF APPLICATOR.
- APPLY PART NUMBER 2-23419-6 LOCTITE TO THREADS OF ITEM 242.
- CRIMP HEIGHT REFERENCE SETTING WAS THE SETTING USED WHEN THE APPLICATOR WAS QUALIFIED AT THE FACTORY. ADJUSTMENT MAY BE NECESSARY WHEN RUNNING APPLICATOR IN THE FIELD.
- TERMINAL LUBRICANT IS RECOMMENDED.
- 6. UNLESS SPECIFIED OTHERWISE TORQUE VALUES SHALL BE USED PER DOCUMENT, 101-35000.
- TERMINAL PITCH NOT COMPATIBLE WITH MECHANICAL FEED.

***WARNING**
ON INSTALLATION, SET WIRE DISC TO CRIMP HEIGHT REFERENCE SETTING FOR LARGEST WIRE SIZE. CRIMP HEIGHT REFERENCE SETTINGS GREATER THAN THE VALUE SHOWN MAY CAUSE DAMAGE TO THE CRIMP TOOLING. REFER TO THE INSTRUCTION SHEET FOR PROPER SETUP AND ADJUSTMENTS.

ATLANTIC VERSION
Shown on sheets 1 of 4 & 2 of 4
(Pacific version shown on sheets 3 of 4 & 4 of 4)

LOC	DIST	REVISIONS					
A	66	P	LTN	DESCRIPTION	DATE	OWN	APVD
		A		RELEASED	29SEP2017	BW	CT
		B		ECR-20-015597	02NOV2020	TB	RR

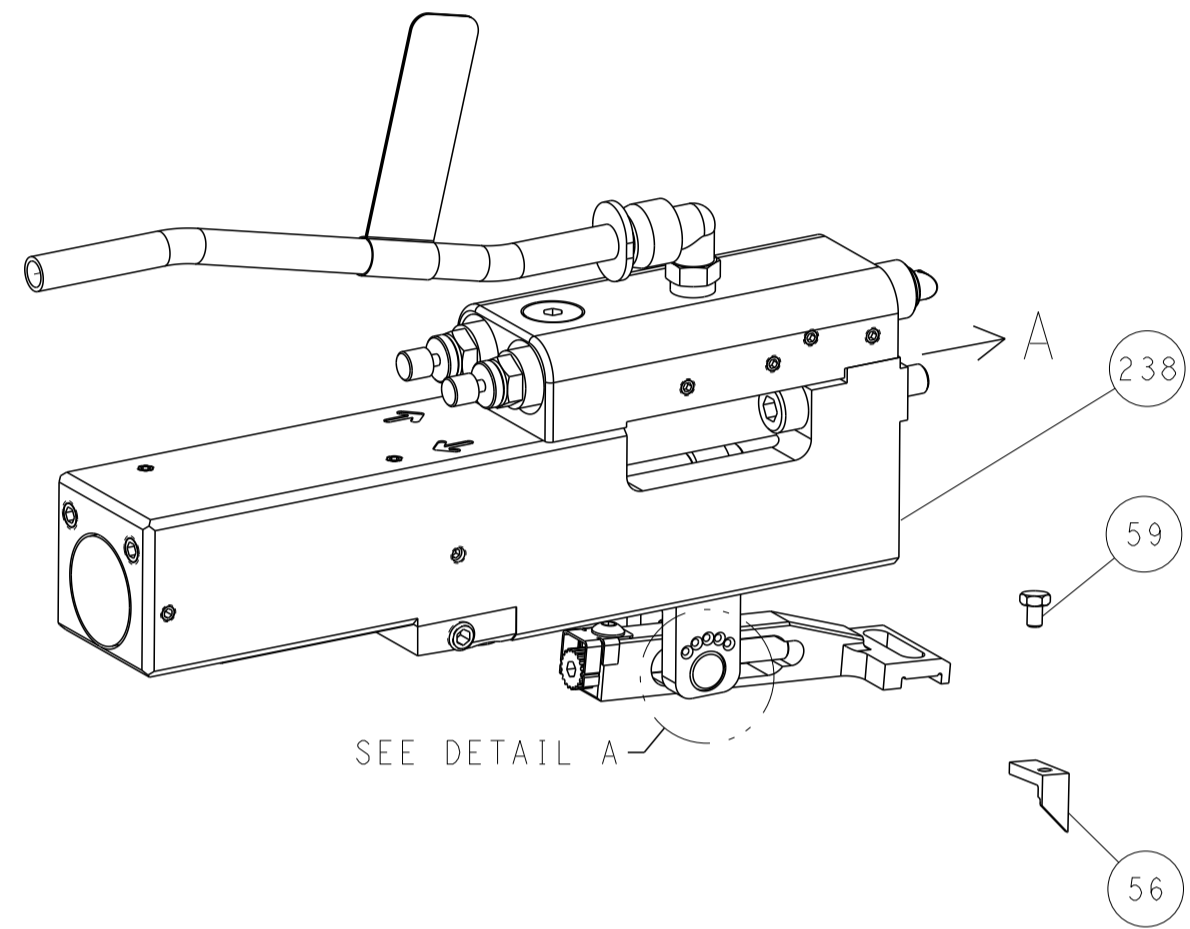
-	1	1	7-18023-7	SCR, SKT HD CAP M3 X 4.0	283		
-	1	1	2280441-1	INSERT, SHEAR	282		
-	1	1	2119641-1	FEED CAM, AIR FEED	248		
-	1	1	2119082-4	CAM, SNAIL, INSULATION ADJUSTMENT	244		
-	1	1	2079764-1	WASHER, WAVE SPRING, CREST-TO-CREST	243		
-	1	1	2119083-1	RETAINER, INSULATION DIAL	242		
-	1	1	2844940-1	AIR FEED MODULE	238		
-	1	1	356885-4	STOP, SHEAR	237		
-	1	1	1-18028-0	WASHER, FLAT, REG M8	192		
-	REF	REF	994970-2	COUNTER, MAGNETIC	164		
-	1	1	1-22281-8	SPRING, COMPRESSION	121		
-	1	1	2119955-1	ASSY, LUBRICATOR, SIDE FEED	113		
-	1	1	2844908-1	SCREW, LOCKING	99		
-	1	1	2844907-1	POST, LOCKING	98		
-	1	1	1803258-1	FRONT STRIP GUIDE	96		
-	2	2	1-2168083-3	SCR, SKT HD CAP, RoHS, M3 X 16	95		
-	1	1	2168083-6	SCR, SKT HD CAP, RoHS, M5 X 65	93		
-	1	1	455888-5	SPACER, CRIMPER	82		
-	1	1	6-240641-0	SPACER	81		
-	1	1	1803607-3	DOCUMENTATION PACKAGE	71		
-	1	1	2119740-1	TAG, IDENTIFICATION	67		
-	2	2	2168078-1	SCREW, DRIVE, RH, RoHS, 2 x .188	66		
-	2	2	2-18032-5	SCR, SET, FLT PNT, M5 X 20.0	61		
-	1	1	2168083-2	SCR, SKT HD CAP, RoHS, M4 X 8.0	60		
-	1	1	5-18022-5	SCR, HEX HD CAP, M4 X 6.0	59		
-	1	1	1-1338683-0	FEED PAWL	56		
-	2	2	2168083-3	SCR, SKT HD CAP, RoHS, M4 X 12.0	54		
-	2	2	2168083-8	SCR, SKT HD CAP, RoHS, M4 X 16	53		
-	1	1	18023-9	SCR, SKT HD CAP M4 X 6.0	49		
-	1	1	1803583-9	APPLICATOR BASIC ASSEMBLY, SF	46		
-	1	1	1803515-1	RAM ASSEMBLY, SF ATLANTIC	44		
-	1	1	1803602-1	SCR, BHSC, RoHS (M8 X 25)	41		
-	2	2	2168083-1	SCR, SKT HD CAP, RoHS, M3 X 8.0	33		
-	1	1	2-2305692-3	PLATE, REAR STRIP GUIDE	29		
-	2	2	22283-1	SPRING, COMPRESSION	27		
-	1	1	356835-1	LEVER, DRAG RELEASE	26		
-	1	1	240792-1	DRAG, TERMINAL	25		
-	1	1	4-189124-1	GUIDE, FRONT STRIP	24		
-	1	1	980371-4	SCR, SKT HD SHLDR 5.0 DIA X 6.0	23		
-	1	1	2168083-2	SCR, SKT HD CAP, RoHS, M4 X 8.0	21		
-	1	1	1-18028-2	WASHER, FLAT, REG M4	20		
-	1	1	2119533-1	STRIPPER, SIDE FEED	19		
-	1	1	690463-6	FLOATING SHEAR, REAR	17		
-	2	2	1-2168083-1	SCR, SKT HD CAP, RoHS, M3 X 6	16		
-	1	1	2-690464-9	SHEAR PLATE, REAR	15		
-	1	1	2119862-1	SHEAR HOLDER, REAR	14		
-	1	1	3-22280-3	SPRING, COMPRESSION	12		
-	-	-	-	-	10		
-	-	-	-	-	9		
-	1	2	1	1803554-7	ANVIL, COMBINATION	8	
-	-	-	-	-	7		
-	1	1	1	1-690468-2	DEPRESSOR SHEAR, REAR	6	
-	-	-	-	-	5		
-	1	1	1	5-238011-2	BLOCK, CRIMPER SPACER	4	
-	1	2	1	7-1803187-1	CRIMPER, INSULATION F	3	
-	1	1	1	455888-9	SPACER, CRIMPER	2	
-	1	2	1	3-1803470-5	CRIMPER, WIRE F	1	
-	77	72	-2	PART NO			
-	-	-	-	DESCRIPTION			
-	-	-	-	ITEM NO			

DIMENSIONS:		TOLERANCES UNLESS OTHERWISE SPECIFIED:		OWN: M. HERR 22AUG2017		CHK: C. TOPPER 22AUG2017		APVD: C. TOPPER 22AUG2017		NAME: Ocean Side Feed Applicator	
mm	0 PLC ±	1 PLC ±	2 PLC ±	3 PLC ±	4 PLC ±	ANGLES	FINISH	WEIGHT	SCALE: 1:2	SHEET 1 OF 4	REV B
MATERIAL:									Customer Accessible Production Drawing		

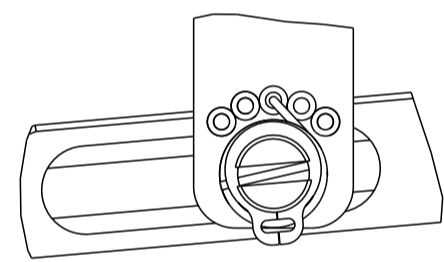
LOC	DIST	REVISIONS			
P	LTN	DESCRIPTION	DATE	OWN	APVD
-	-	SEE SHEET 1	-	-	-

FEED TYPE

PNEUMATIC

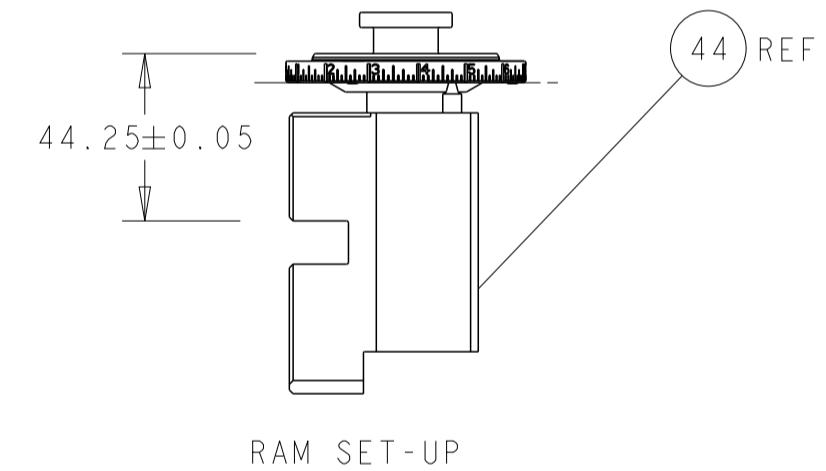
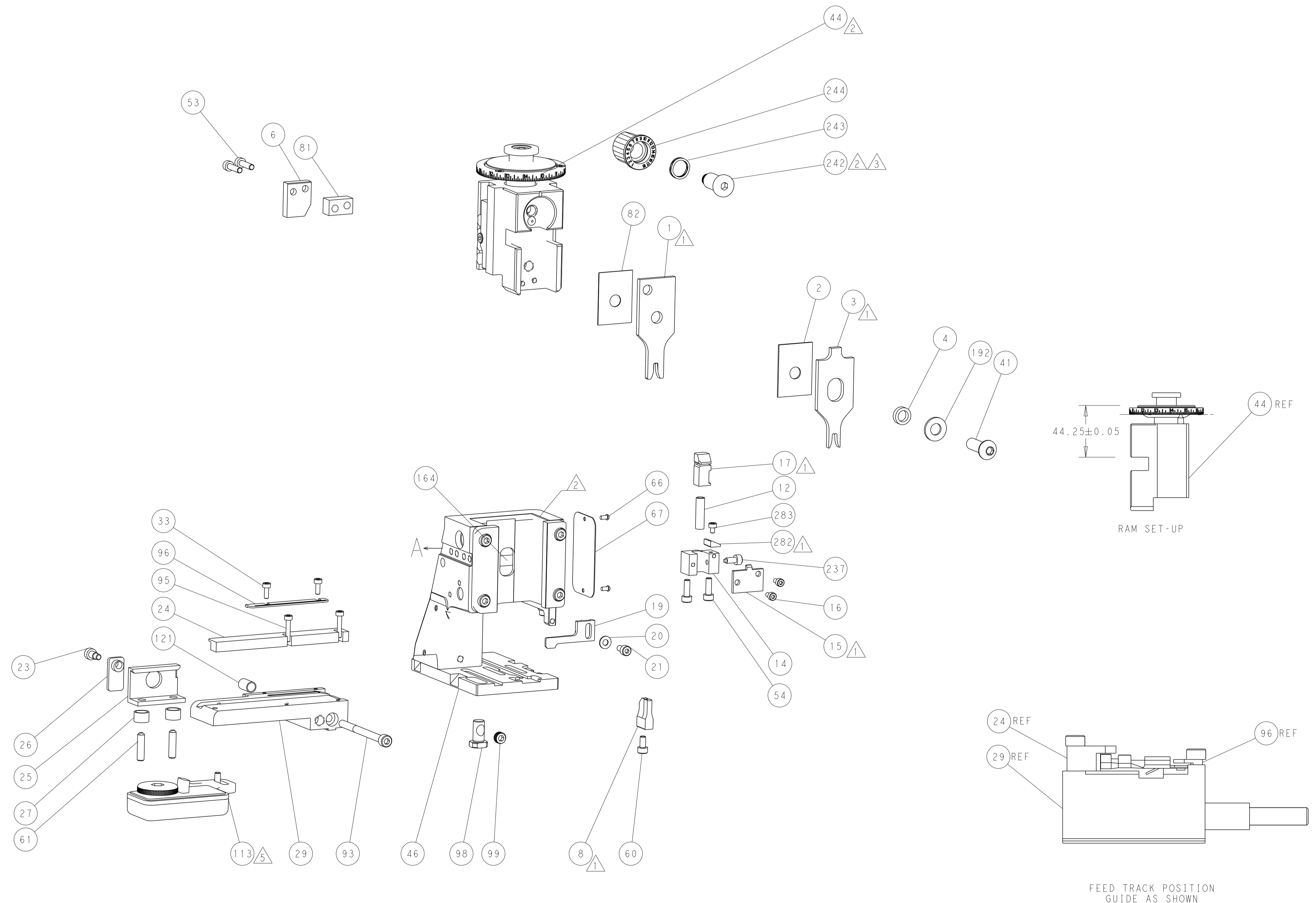
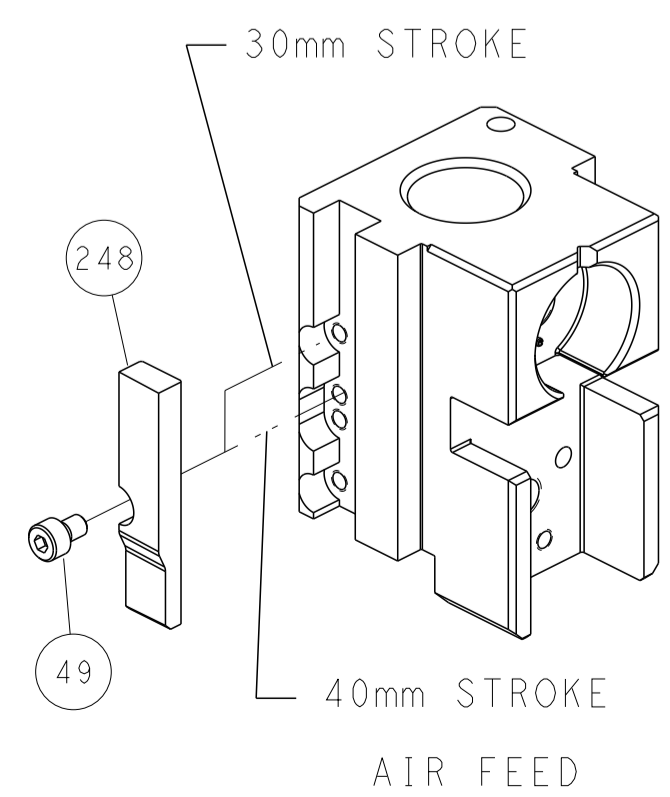


FEED SPRING SETTING POSITION
(SHOWN FROM REAR SIDE)



DETAIL A

CAM POSITION



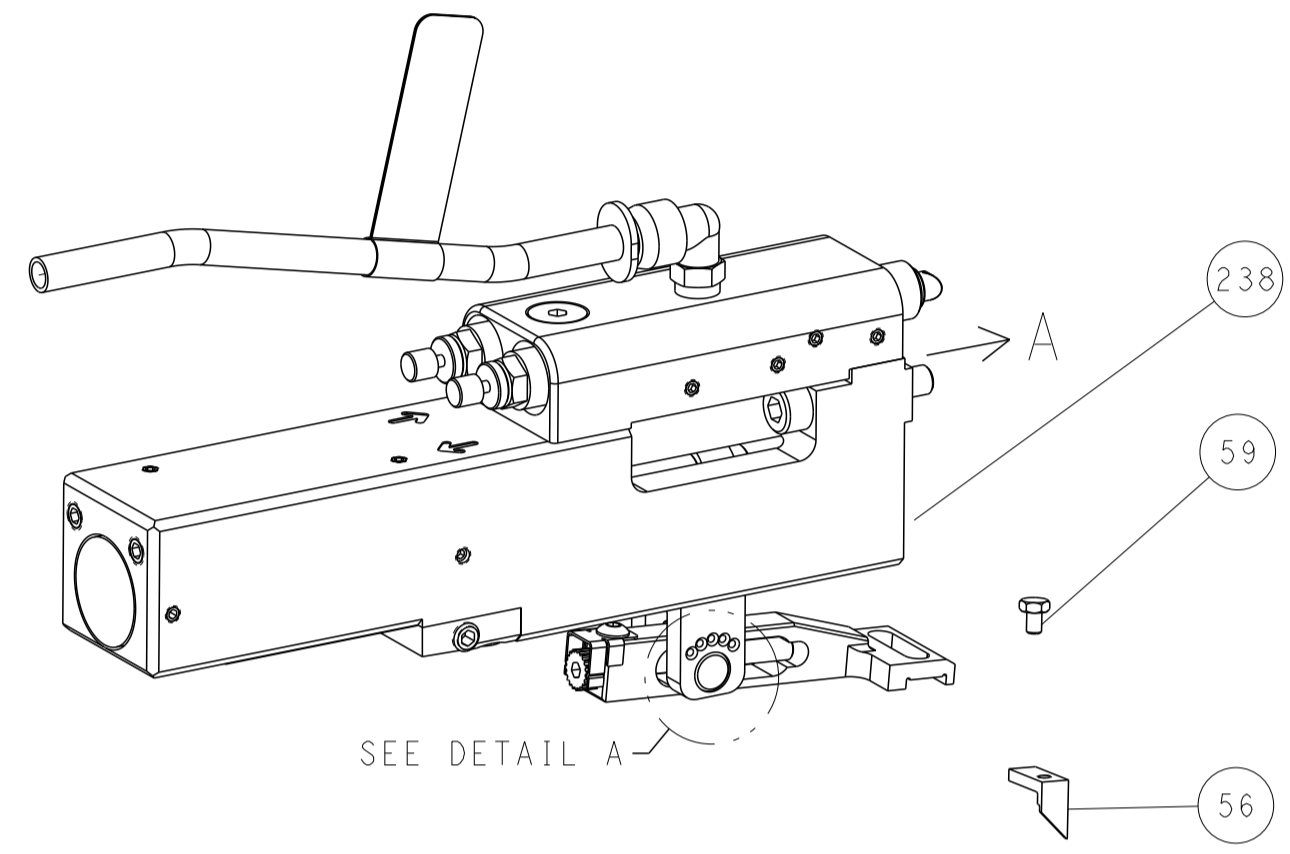
FEED TRACK POSITION
GUIDE AS SHOWN

ATLANTIC VERSION
 Shown on sheets 1 of 4 & 2 of 4
 (Pacific version shown on sheets 3 of 4 & 4 of 4)

<small>THIS DRAWING IS UNPUBLISHED. RELEASED FOR PUBLICATION 2017. ALL RIGHTS RESERVED. © 2017 BY TYCO ELECTRONICS CORPORATION. THIS IS THE PROPERTY OF COMPANY AND CONTROL AND RESISTING DISSEMINATION SHOULD BE CONTACTED FOR THE LATEST REVISION.</small>		DWN: M_HERR 22AUG2017 CHK: C_TOPPER 22AUG2017 APVD: C_TOPPER 22AUG2017	STE TE Connectivity Harrisburg, PA 17105-3608
DIMENSIONS: mm TOLERANCES UNLESS OTHERWISE SPECIFIED: 0 PLC ± 1 PLC ± 2 PLC ± 3 PLC ± 4 PLC ± ANGLES ± FINISH ±		NAME: Ocean Side Feed Applicator SIZE: A1 CAGE CODE: 00779 DRAWING NO: 2836903 WEIGHT: - SCALE: 1:2 SHEET: 2 OF 4 REV: B	RESTRICTED TO: -
MATERIAL: -		Customer Accessible Production Drawing	

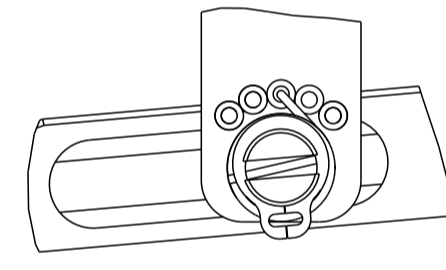
LOC	DIST	REVISIONS					
A	66	P	LTH	DESCRIPTION	DATE	OWN	APVD
		-		SEE SHEET 1	-	-	-

FEED TYPE PNEUMATIC



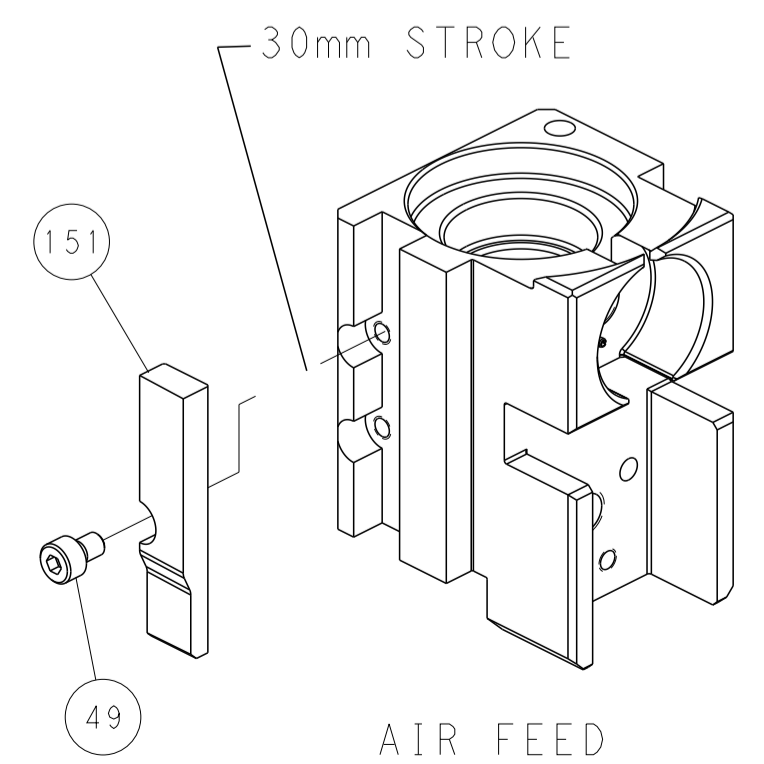
SEE DETAIL A

FEED SPRING SETTING POSITION (SHOWN FROM REAR SIDE)

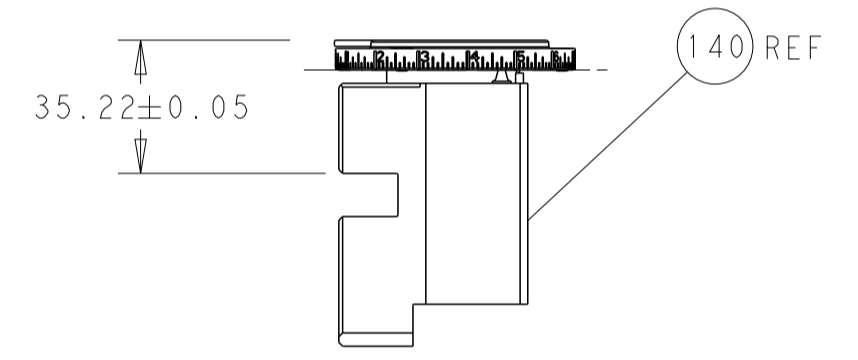
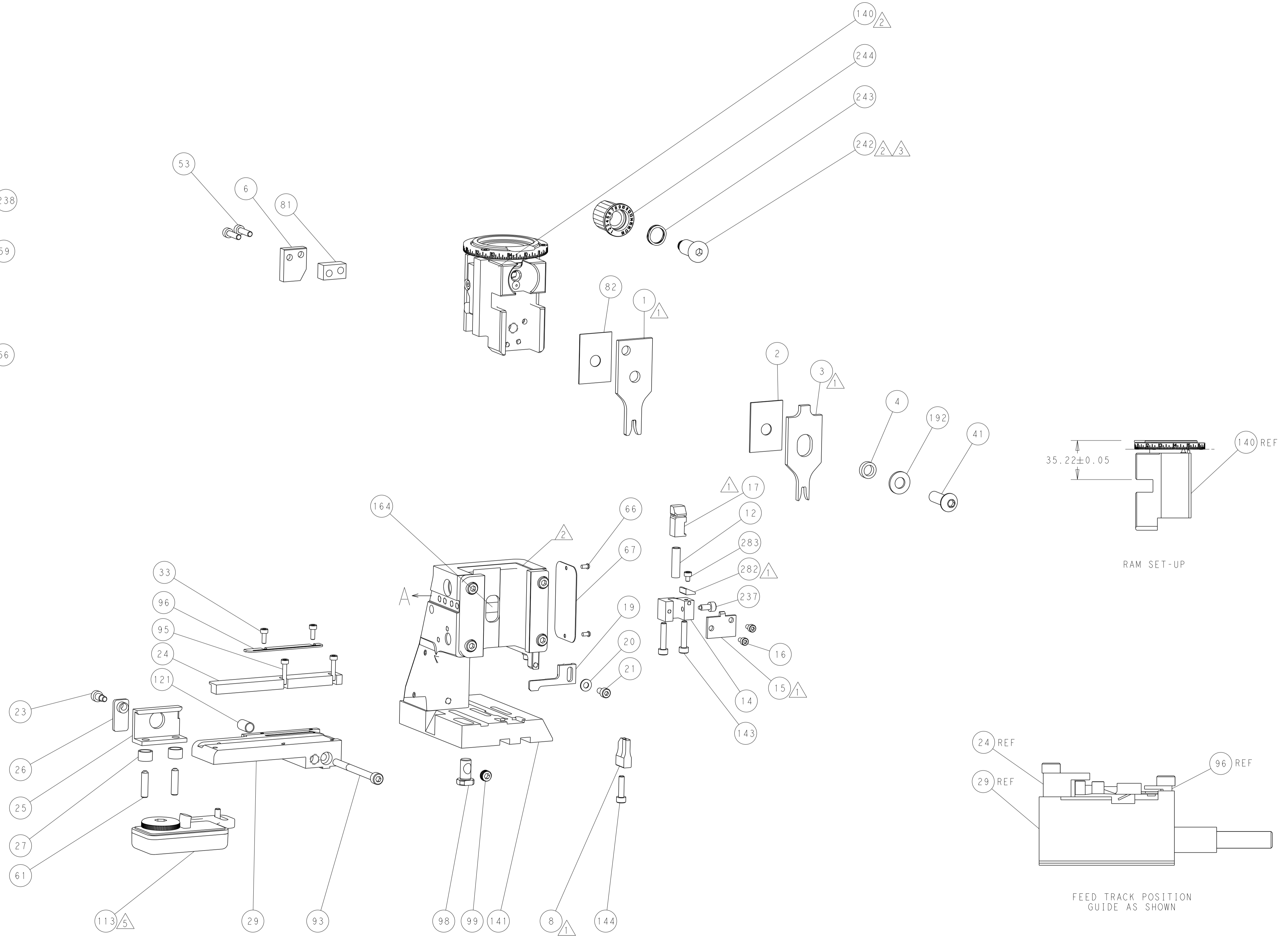


DETAIL A

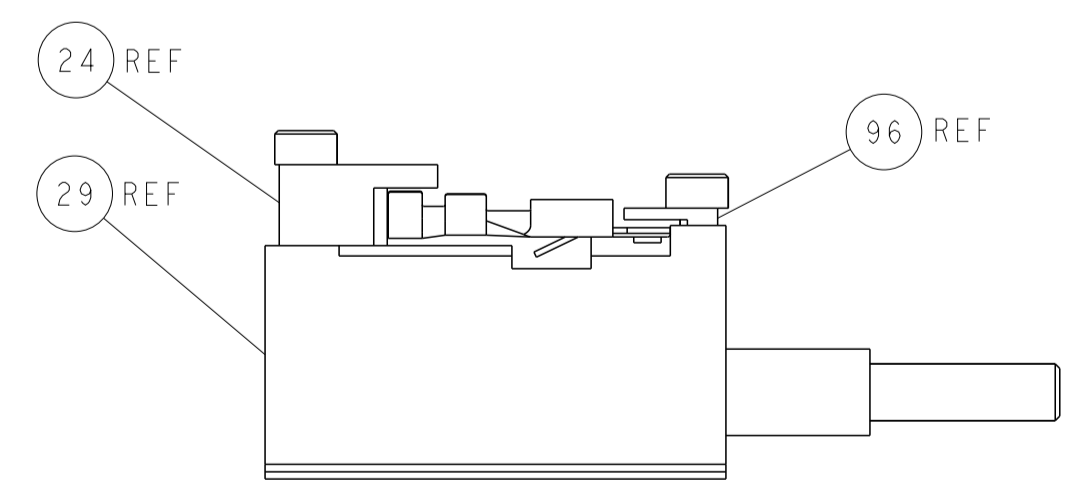
CAM POSITION



AIR FEED



RAM SET-UP



FEED TRACK POSITION
GUIDE AS SHOWN

PACIFIC VERSION
 Shown on sheets 3 of 4 & 4 of 4
 (Atlantic version shown on sheets 1 of 4 & 2 of 4)

<small>THIS DRAWING IS UNPUBLISHED. RELEASED FOR PUBLICATION 2017. ALL RIGHTS RESERVED. THIS DRAWING IS THE PROPERTY OF TYCO ELECTRONICS CORPORATION. IT IS TO BE USED ONLY FOR THE PURPOSES AND IN THE QUANTITIES SPECIFIED IN THE ORDER. IT IS NOT TO BE REPRODUCED OR TRANSMITTED IN ANY FORM OR BY ANY MEANS, ELECTRONIC OR MECHANICAL, INCLUDING PHOTOCOPYING, RECORDING, OR BY ANY INFORMATION STORAGE AND RETRIEVAL SYSTEM, WITHOUT THE WRITTEN PERMISSION OF TYCO ELECTRONICS CORPORATION.</small>		DWN: M_HERR 22AUG2017 CHK: C_TOPPER 22AUG2017 APVD: C_TOPPER 22AUG2017	TE Connectivity Harrisburg, PA 17105-3608
DIMENSIONS: mm TOLERANCES UNLESS OTHERWISE SPECIFIED: 0 PLC ± 1 PLC ± 2 PLC ± 3 PLC ± 4 PLC ± ANGLES ± FINISH ±		NAME: Ocean Side Feed Applicator PRODUCT SPEC: APPLICATION SPEC: WEIGHT:	SIZE: A1 CAGE CODE: 00779 DRAWING NO: 2836903 RESTRICTED TO:
MATERIAL:		CUSTOMER ACCESSIBLE PRODUCTION DRAWING	SCALE: 1:2 SHEET: 4 OF 4 REV: B