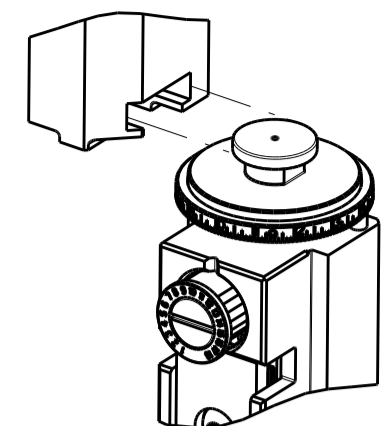


| PART NUMBER | REVISION | DESCRIPTION | FEED TYPE |
|-------------|----------|---------------------------------|-----------|
| 2836889-2 | B | FINE CRIMP HEIGHT ADJUST | PNEUMATIC |
| 7-2836889-2 | B | PNEUMATIC AND CRIMP TOOLING KIT | PNEUMATIC |
| 7-2836889-7 | A | CRIMP TOOLING KIT | - |

ATLANTIC VERSION TERMINATOR INTERFACE ADAPTER

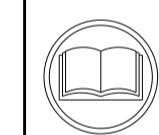


| APPLICATOR DATA | | |
|-----------------|----------------|------|
| CRIMP | SIZE | TYPE |
| WIRE | 5.00 mm [.197] | F |
| INSUL | 6.55 mm [.258] | F |

APPLICATOR INSTRUCTIONS 408-35042

| TERMINAL DATA: DELPHI TERMINAL DELPHI CRIMP SPECIFICATION | | | |
|---|------------------------------|-------------|-----------------|
| TERMINAL NAME: TAXI TERMINAL, RING STR | | | |
| WIRE STRIP LENGTH | INSULATION DIAMETER RANGE | | |
| 6.05-6.81 mm [.238-.268 IN] | Ø3.00-3.70 mm [.118-.146 IN] | | |
| TERMINAL APPLICATION SPECIFICATION | | | |
| CRIMP INFORMATION SHEET Rev PAGE 1&2 of 25 | | | |
| TERMINALS APPLIED | | | |
| TE TERMINAL | DELPHI TERMINAL | TE TERMINAL | DELPHI TERMINAL |
| 2318353-1 | 02965719 | 2318353-2 | 02965718 |
| 2318353-3 | 02977131 | | |

| WIRE SIZE | CRIMP HEIGHT mm [INCH] | CRIMP HEIGHT REFERENCE SETTING |
|-----------|-------------------------------|--------------------------------|
| 4.00mm2 | 3.60 +/- 0.05 [.142 +/- .002] | 3.2 |
| 3.00mm2 | 3.20 +/- 0.05 [.126 +/- .002] | 8.4 |



- 1 RECOMMENDED SPARE PARTS
- 2 REFER TO SUPPLIED INSTRUCTION SHEET FOR CLEANING, LUBRICATION AND STORAGE OF APPLICATOR.
- 3 APPLY PART NUMBER 2-23419-6 LOCTITE TO THREADS OF ITEM 242.
- 4 CRIMP HEIGHT REFERENCE SETTING WAS THE SETTING USED WHEN THE APPLICATOR WAS QUALIFIED AT THE FACTORY. ADJUSTMENT MAY BE NECESSARY WHEN RUNNING APPLICATOR IN THE FIELD.
- 5. UNLESS SPECIFIED OTHERWISE TORQUE VALUES SHALL BE USED PER DOCUMENT, 101-35000.
- 6 TERMINAL PITCH NOT COMPATIBLE WITH MECHANICAL FEED.
- 7 TERMINAL LUBRICANT IS RECOMMENDED.

***WARNING**
 ON INSTALLATION, SET WIRE DISC TO CRIMP HEIGHT REFERENCE SETTING FOR LARGEST WIRE SIZE. CRIMP HEIGHT REFERENCE SETTINGS GREATER THAN THE VALUE SHOWN MAY CAUSE DAMAGE TO THE CRIMP TOOLING, REFER TO THE INSTRUCTION SHEET FOR PROPER SETUP AND ADJUSTMENTS.

| LOC | DIST | REVISIONS | | | | | |
|-----|------|-----------|-----|---------------|-----------|-----|------|
| | | P | LTN | DESCRIPTION | DATE | DMN | APVD |
| A | 66 | | | RELEASED | 10OCT2017 | MEH | TE |
| | | | | ECR-19-012722 | 13AUG2019 | FZ | TE |

| | | | | | |
|---|-----|-----|-------------|-------------------------------------|-----|
| - | 1 | 1 | 2844961-2 | SPACER, AIR BLAST | 280 |
| - | 1 | 1 | 2119641-1 | FEED CAM, AIR FEED | 248 |
| - | 1 | 1 | 2119082-7 | CAM, SNAIL, INSULATION ADJUSTMENT | 244 |
| - | 1 | 1 | 2079764-1 | WASHER, WAVE SPRING, CREST-TO-CREST | 243 |
| - | 1 | 1 | 2119083-1 | RETAINER, INSULATION DIAL | 242 |
| - | 1 | 1 | 2844940-1 | AIR FEED MODULE | 238 |
| - | REF | REF | 994970-2 | COUNTER, MAGNETIC | 164 |
| - | 1 | 1 | 2217068-1 | BRACKET, AIR BLAST | 130 |
| - | 1 | 1 | 2030758-3 | TUBING, POLYURETHANE | 129 |
| - | 1 | 1 | 986965-8 | NUT, LOCK, HEX, TORQUE (M4) | 128 |
| - | 1 | 1 | 2168083-8 | SCR, SKT HD CAP, RoHS, M4 X 16 | 127 |
| - | 1 | 1 | 986220-3 | CLAMP, CABLE, BLACK | 126 |
| - | 1 | 1 | 1-22281-8 | SPRING, COMPRESSION | 121 |
| - | 1 | 1 | 2119955-1 | ASSY, LUBRICATOR, SIDE FEED | 113 |
| - | 1 | 1 | 23238-1 | INSERT, COUPLING | 101 |
| - | 2 | 2 | 2168083-3 | SCR, SKT HD CAP, RoHS, M4 X 12.0 | 100 |
| - | 1 | 1 | 2844908-1 | SCREW, LOCKING | 99 |
| - | 1 | 1 | 2844907-1 | POST, LOCKING | 98 |
| - | 1 | 1 | 1803258-4 | FRONT STRIP GUIDE | 96 |
| - | 2 | 2 | 2168083-1 | SCR, SKT HD CAP, RoHS, M3 X 8.0 | 95 |
| - | 1 | 1 | 2168083-6 | SCR, SKT HD CAP, RoHS, M5 X 65 | 93 |
| - | 2 | 2 | 1-2168083-3 | SCR, SKT HD CAP, RoHS, M3 X 16 | 85 |
| - | 1 | 1 | 455888-8 | SPACER, CRIMPER | 82 |
| - | 1 | 1 | 1803607-3 | DOCUMENTATION PACKAGE | 71 |
| - | 1 | 1 | 2119740-1 | TAG, IDENTIFICATION | 67 |
| - | 2 | 2 | 2168078-1 | SCREW, DRIVE, RH, RoHS, 2 x .188 | 66 |
| - | 2 | 2 | 2-18032-5 | SCR, SET, FLT PNT, M5 X 20.0 | 61 |
| - | 1 | 1 | 2168083-2 | SCR, SKT HD CAP, RoHS, M4 X 8.0 | 60 |
| - | 1 | 1 | 5-18022-5 | SCR, HEX HD CAP, M4 X 6.0 | 59 |
| - | 1 | 1 | 1338683-9 | FEED PAWL | 56 |
| - | 3 | 3 | 2168083-8 | SCR, SKT HD CAP, RoHS, M4 X 16 | 53 |
| - | 1 | 1 | 1803011-6 | HOLDER, SLUG BLADE | 50 |
| - | 1 | 1 | 18023-9 | SCR, SKT HD CAP M4 X 6.0 | 49 |
| - | 1 | 1 | 1803583-9 | APPLICATOR BASIC ASSEMBLY, SF | 46 |
| - | 1 | 1 | 1803515-1 | RAM ASSEMBLY, SF ATLANTIC | 44 |
| - | 1 | 1 | 1803602-1 | SCR, BHSC, RoHS (M8 X 25) | 41 |
| - | 1 | 1 | 3-2305692-6 | PLATE, REAR STRIP GUIDE | 29 |
| - | 2 | 2 | 22283-1 | SPRING, COMPRESSION | 27 |
| - | 1 | 1 | 356835-1 | LEVER, DRAG RELEASE | 26 |
| - | 1 | 1 | 240792-1 | DRAG, TERMINAL | 25 |
| - | 1 | 1 | 980371-4 | SCR, SKT HD SHLDR 5.0 DIA X 6.0 | 23 |
| - | 1 | 1 | 2168083-2 | SCR, SKT HD CAP, RoHS, M4 X 8.0 | 21 |
| - | 2 | 2 | 1-18028-2 | WASHER, FLAT, REG M4 | 20 |
| - | 1 | 1 | 1-2119533-0 | STRIPPER, SIDE FEED | 19 |
| - | 1 | 1 | 4-189124-5 | GUIDE, FRONT STRIP | 12 |
| - | 1 | 1 | 1-2161951-1 | BLADE, SLUG | 10 |
| - | 1 | 1 | 1-2063687-4 | PLATE, REAR SHEAR | 9 |
| 1 | 2 | 1 | 1803525-3 | ANVIL, SPECIAL, COMBINATION | 8 |
| - | - | - | - | - | 7 |
| - | - | - | - | - | 6 |
| - | - | - | - | - | 5 |
| - | 1 | 1 | 238009-3 | BLOCK, FL CRIMPER SPACER | 4 |
| 1 | 2 | 1 | 2-1803384-4 | CRIMPER, INSULATION F | 3 |
| - | 1 | 1 | 1-455888-9 | SPACER, CRIMPER | 2 |
| 1 | 2 | 1 | 3-1803470-3 | CRIMPER, WIRE F | 1 |

| DIMENSIONS: | | TOLERANCES UNLESS OTHERWISE SPECIFIED: | | MATERIAL: | | FINISH: | | WEIGHT: | | SCALE: | |
|-------------|---------|--|---------|-----------|---------|---------|--|---------|--|--------|--|
| mm | 0 PLC ± | 1 PLC ± | 2 PLC ± | 3 PLC ± | 4 PLC ± | ANGLES | | | | | |
| | | | | | | | | | | | |

| ITEM NO | PART NO | DESCRIPTION |
|----------|---------|-------------|
| -77-72-2 | | |

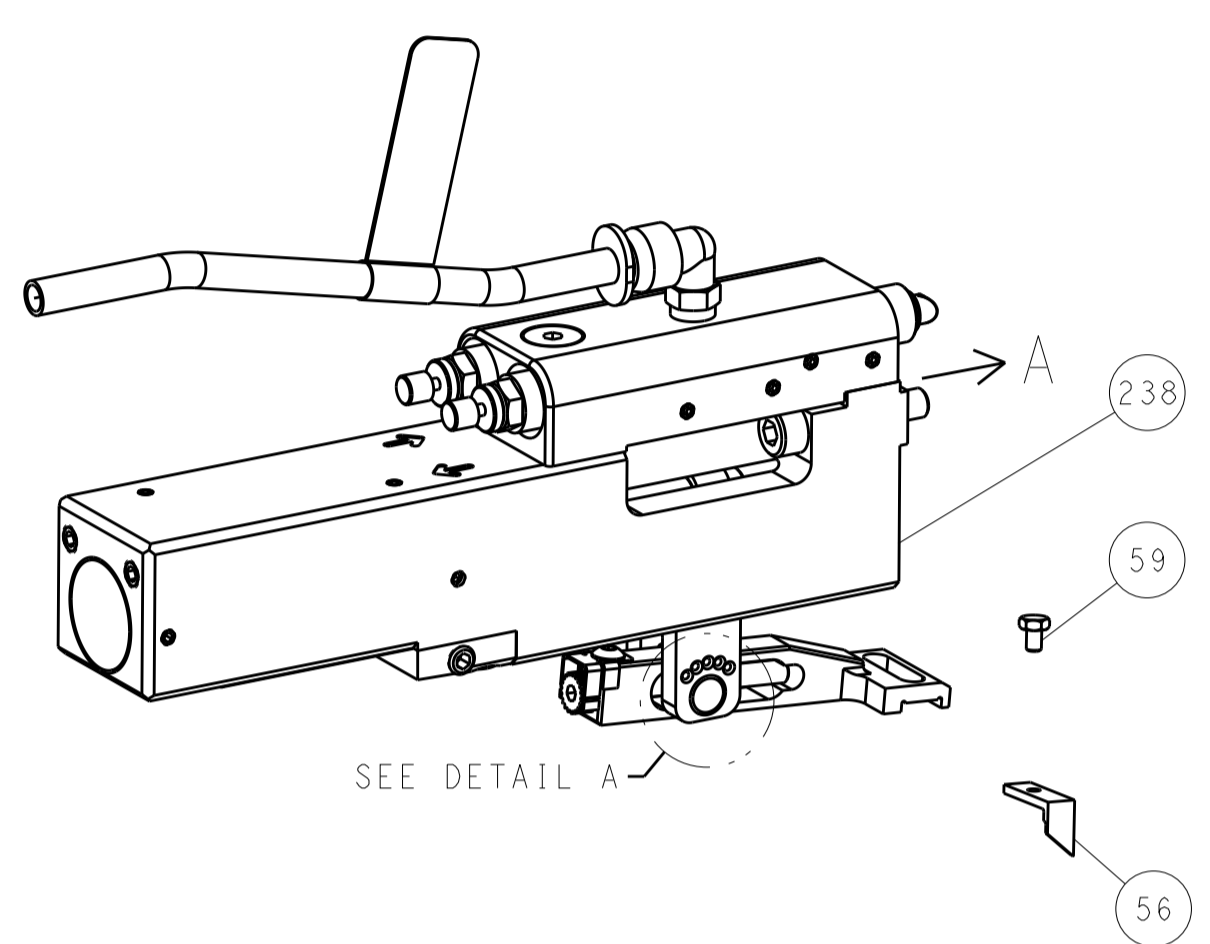
| | | |
|--|----------------------------|---------------------------|
| DMN | 16AUG2017 | TE Connectivity |
| CHK | 16AUG2017 | Harrisburg, PA 17105-3608 |
| APVD | 16AUG2017 | |
| NAME | Ocean Side Feed Applicator | |
| PRODUCT SPEC | | |
| APPLICATION SPEC | | |
| SIZE | CAGE CODE | DRAWING NO |
| A1 | 00779 | 2836889 |
| Customer Accessible Production Drawing | | |
| SCALE | SHEET | REV |
| 1:2 | 1 of 4 | B |

ATLANTIC VERSION
 Shown on sheets 1 of 4 & 2 of 4
 (Pacific version shown on sheets 3 of 4 & 4 of 4)

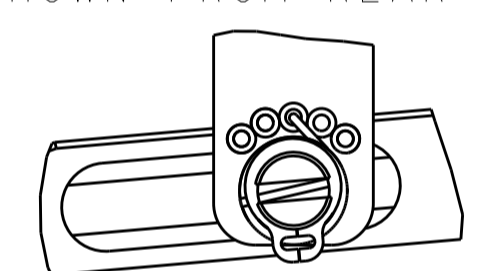
| LOC | | DIST | | REVISIONS | | | |
|-----|------|------|----|-------------|------|----|---------|
| NO. | REV. | DATE | BY | DESCRIPTION | DATE | BY | APPROV. |
| A | 66 | | | SEE SHEET 1 | | | |

FEED TYPE

PNEUMATIC

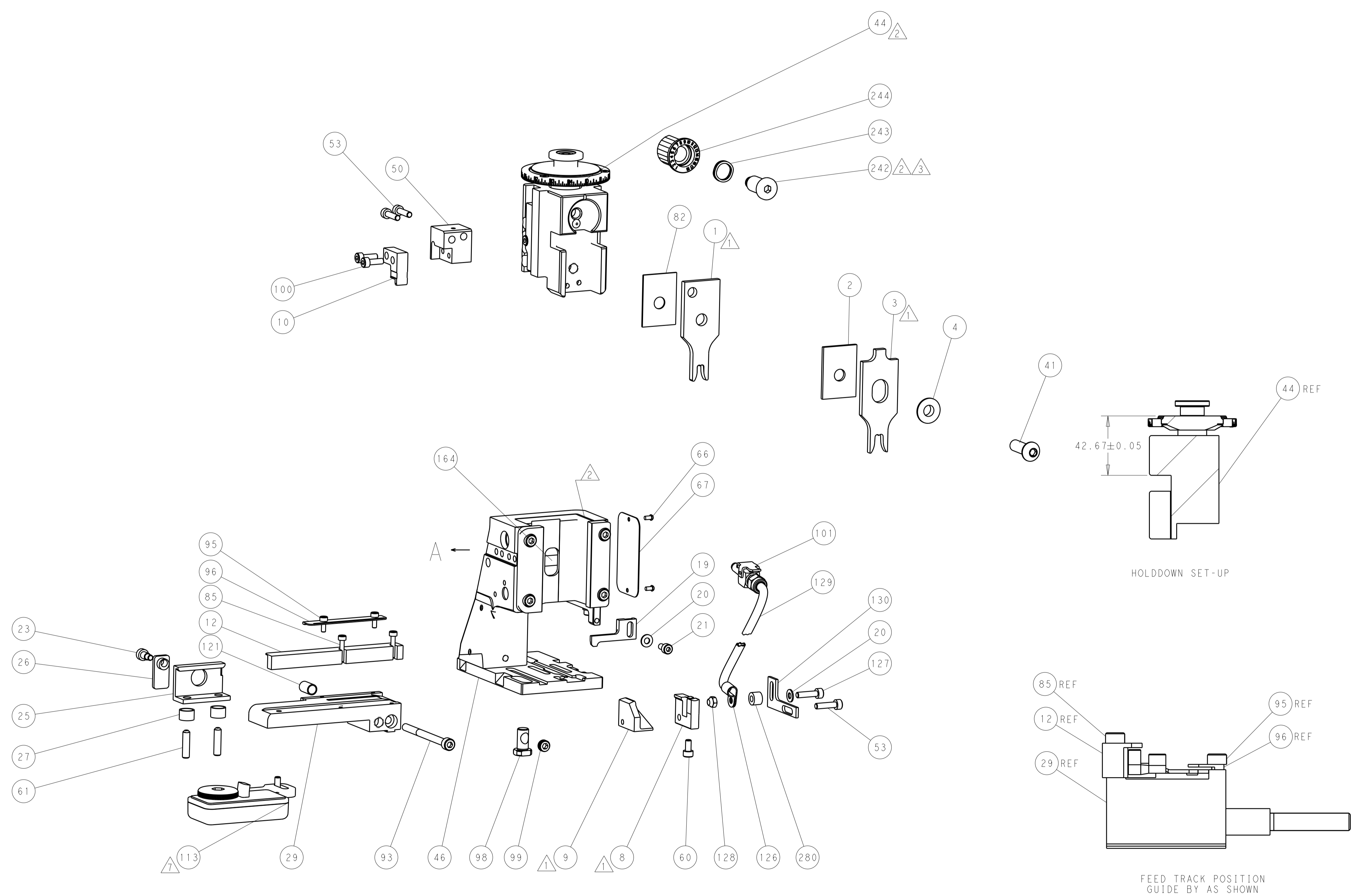
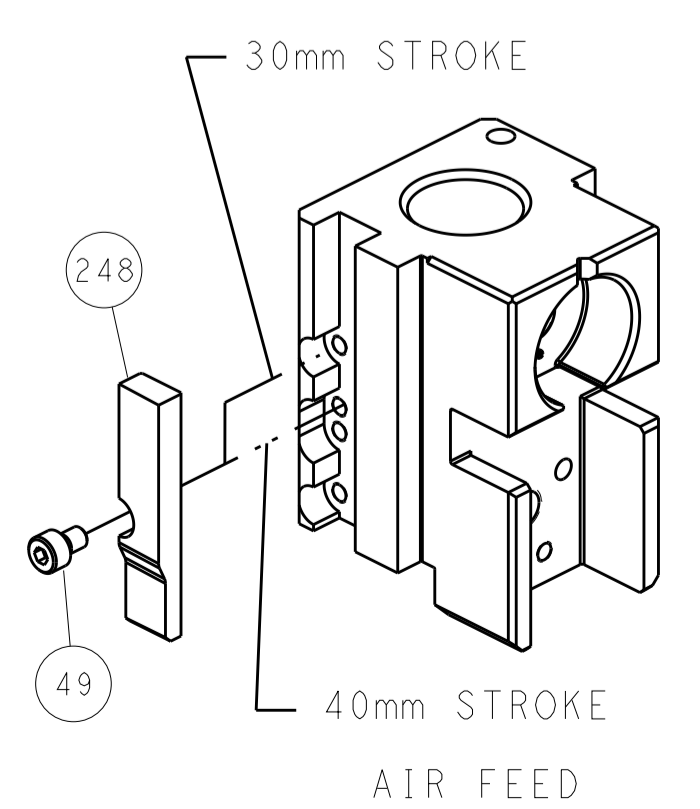


FEED SPRING SETTING POSITION
(SHOWN FROM REAR SIDE)



DETAIL A

CAM POSITION



42.67 ± 0.05

HOLDDOWN SET-UP

FEED TRACK POSITION
GUIDE BY AS SHOWN

ATLANTIC VERSION
 Shown on sheets 1 of 4 & 2 of 4
 (Pacific version shown on sheets 3 of 4 & 4 of 4)

| | | | | | | | |
|--|---------|--|---------|----------------------|---------|----------------------------------|---------------------------|
| DIMENSIONS: | | TOLERANCES UNLESS OTHERWISE SPECIFIED: | | DWN M_HERR 16AUG2017 | | TE Connectivity | |
| mm | 0 PLC ± | 1 PLC ± | 2 PLC ± | 3 PLC ± | 4 PLC ± | APVD T_ELBRIN 16AUG2017 | Harrisburg, PA 17105-3608 |
| MATERIAL: | | FINISH: | | WEIGHT: | | NAME: Ocean Side Feed Applicator | |
| Customer Accessible Production Drawing | | SCALE: 1:2 | | SHEET 2 OF 4 | | REV B | |

| PART NUMBER | REVISION | DESCRIPTION | FEED TYPE |
|-------------|----------|--------------------------|-----------|
| 2-2836889-2 | B | FINE CRIMP HEIGHT ADJUST | PNEUMATIC |
| 7-2836889-7 | A | CRIMP TOOLING KIT | - |

PACIFIC VERSION TERMINATOR
INTERFACE ADAPTER



| APPLICATOR DATA | | |
|-----------------|------------------|------|
| CRIMP | SIZE | TYPE |
| WIRE | 5.00 mm [.197] | F |
| INSUL | 6.55 mm [.258] | F |

APPLICATOR INSTRUCTIONS
408-35042

| | | | |
|---|-----------------|--|-----------------|
| TERMINAL DATA: DELPHI TERMINAL DELPHI CRIMP SPECIFICATION | | | |
| TERMINAL NAME: TAXI TERMINAL, RING STR | | | |
| WIRE STRIP LENGTH 6.05-6.81 mm [.238-.268 IN] | | INSULATION DIAMETER RANGE 3.00-3.70 mm [.118-.146 IN] | |
| TERMINAL APPLICATION SPECIFICATION CRIMP INFORMATION SHEET Rev PAGE 1&2 of 25 | | | |
| TERMINALS APPLIED | | | |
| TE TERMINAL | DELPHI TERMINAL | TE TERMINAL | DELPHI TERMINAL |
| 2318353-1 | 02965719 | 2318353-2 | 02965718 |
| 2318353-3 | 02977131 | | |

| WIRE SIZE | CRIMP HEIGHT mm [INCH] | CRIMP HEIGHT REFERENCE SETTING |
|-----------|---------------------------------|--------------------------------|
| 4.00mm2 | 3.60 +/- 0.05 [.142 +/- .002] | 3.2 |
| 3.00mm2 | 3.20 +/- 0.05 [.126 +/- .002] | 8.4 |



- RECOMMENDED SPARE PARTS
- REFER TO SUPPLIED INSTRUCTION SHEET FOR CLEANING, LUBRICATION AND STORAGE OF APPLICATOR.
- APPLY PART NUMBER 2-23419-6 LOCTITE TO THREADS OF ITEM 242.
- CRIMP HEIGHT REFERENCE SETTING WAS THE SETTING USED WHEN THE APPLICATOR WAS QUALIFIED AT THE FACTORY. ADJUSTMENT MAY BE NECESSARY WHEN RUNNING APPLICATOR IN THE FIELD.
- 5. UNLESS SPECIFIED OTHERWISE TORQUE VALUES SHALL BE USED PER DOCUMENT, 101-35000.
- TERMINAL PITCH NOT COMPATIBLE WITH MECHANICAL FEED.
- TERMINAL LUBRICANT IS RECOMMENDED.

***WARNING**
ON INSTALLATION, SET WIRE DISC TO CRIMP HEIGHT REFERENCE SETTING FOR LARGEST WIRE SIZE. CRIMP HEIGHT REFERENCE SETTINGS GREATER THAN THE VALUE SHOWN MAY CAUSE DAMAGE TO THE CRIMP TOOLING, REFER TO THE INSTRUCTION SHEET FOR PROPER SETUP AND ADJUSTMENTS.

PACIFIC VERSION
Shown on sheets 3 of 4 & 4 of 4
(Atlantic version shown on sheets 1 of 4 & 2 of 4)

| LOC | DIST | REV | DATE | BY | APPD |
|-----|------|-----|------|----|------|
| A | 66 | | | | |

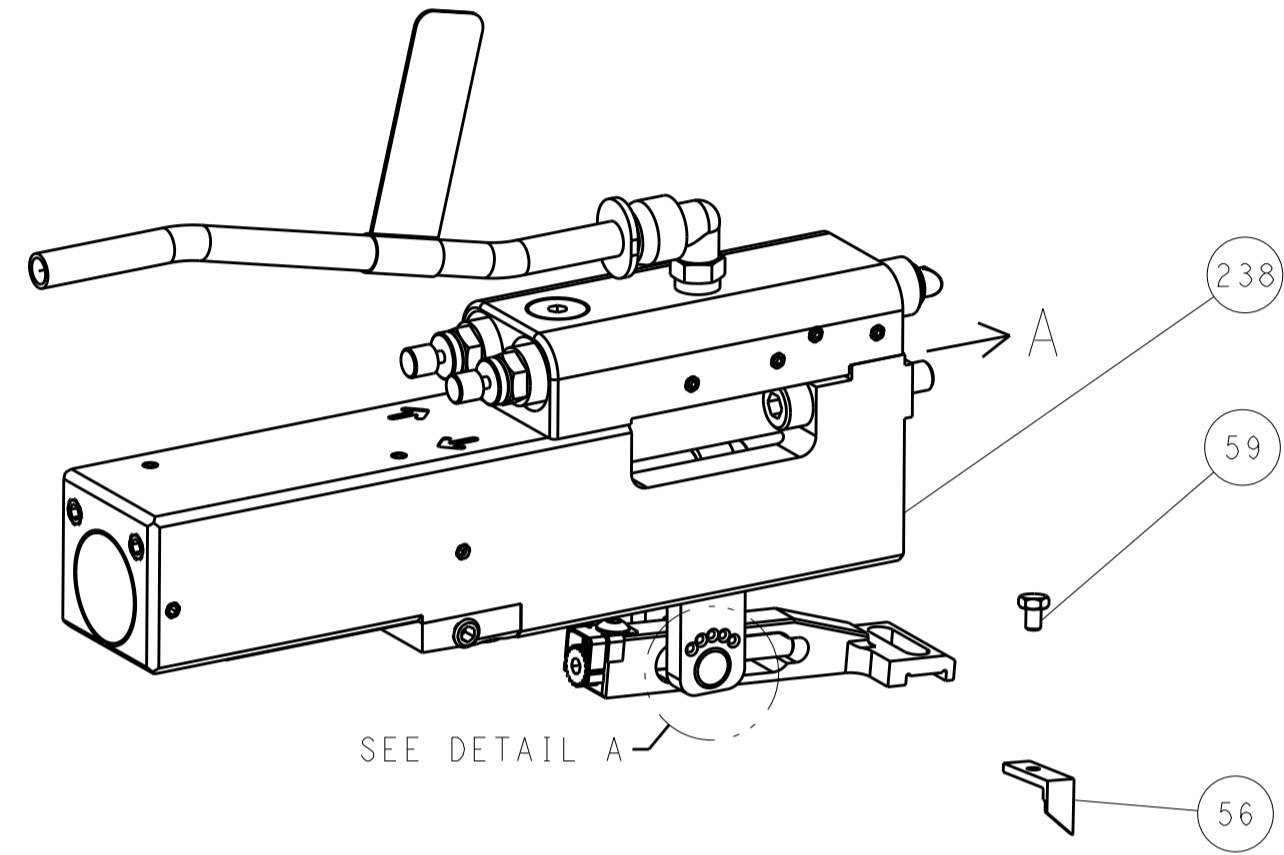
| QTY | LOC | DIST | REV | DATE | BY | APPD | DESCRIPTION | ITEM NO |
|-----|-----|------|-----|------|----|------|-------------------------------------|---------|
| - | 1 | | | | | | SPACER, AIR BLAST | 280 |
| - | 1 | | | | | | CAM, SNAIL, INSULATION ADJUSTMENT | 244 |
| - | 1 | | | | | | WASHER, WAVE SPRING, CREST-TO-CREST | 243 |
| | 1 | | | | | | RETAINER, INSULATION DIAL | 242 |
| - | 1 | | | | | | AIR FEED MODULE | 238 |
| - | REF | | | | | | COUNTER, MAGNETIC | 164 |
| - | 1 | | | | | | FEED CAM, AIR FEED | 151 |
| - | 1 | | | | | | SCR, SKT HD CAP, RoHS, M4 X 16 | 144 |
| - | 1 | | | | | | APPLICATOR BASIC ASSEMBLY, SF | 141 |
| - | 1 | | | | | | RAM ASSEMBLY, SF PACIFIC | 140 |
| - | 1 | | | | | | BRACKET, AIR BLAST | 130 |
| - | 1 | | | | | | TUBING, POLYURETHANE | 129 |
| - | 1 | | | | | | NUT, LOCK, HEX, TORQUE (M4) | 128 |
| - | 1 | | | | | | SCR, SKT HD CAP, RoHS, M4 X 16 | 127 |
| - | 1 | | | | | | CLAMP, CABLE, BLACK | 126 |
| - | 1 | | | | | | SPRING, COMPRESSION | 121 |
| | 1 | | | | | | ASSY, LUBRICATOR, SIDE FEED | 113 |
| - | 1 | | | | | | INSERT, COUPLING | 101 |
| - | 2 | | | | | | SCR, SKT HD CAP, RoHS, M4 X 12.0 | 100 |
| - | 1 | | | | | | SCREW, LOCKING | 99 |
| - | 1 | | | | | | POST, LOCKING | 98 |
| - | 1 | | | | | | FRONT STRIP GUIDE | 96 |
| - | 2 | | | | | | SCR, SKT HD CAP, RoHS, M3 X 8.0 | 95 |
| - | 1 | | | | | | SCR, SKT HD CAP, RoHS, M5 X 65 | 93 |
| - | 2 | | | | | | SCR, SKT HD CAP, RoHS, M3 X 16 | 85 |
| - | 1 | | | | | | SPACER, CRIMPER | 82 |
| - | 1 | | | | | | DOCUMENTATION PACKAGE | 71 |
| - | 1 | | | | | | TAG, IDENTIFICATION | 67 |
| - | 2 | | | | | | SCREW, DRIVE, RH, RoHS, 2 x .188 | 66 |
| - | 2 | | | | | | SCR, SET, FLT PNT, M5 X 20.0 | 61 |
| - | 1 | | | | | | SCR, HEX HD CAP, M4 X 6.0 | 59 |
| - | 1 | | | | | | FEED PAWL | 56 |
| - | 3 | | | | | | SCR, SKT HD CAP, RoHS, M4 X 16 | 53 |
| - | 1 | | | | | | HOLDER, SLUG BLADE | 50 |
| - | 1 | | | | | | SCR, SKT HD CAP M4 X 6.0 | 49 |
| - | 1 | | | | | | SCR, BHSC, RoHS (M8 X 25) | 41 |
| - | 1 | | | | | | PLATE, REAR STRIP GUIDE | 29 |
| - | 2 | | | | | | SPRING, COMPRESSION | 27 |
| - | 1 | | | | | | LEVER, DRAG RELEASE | 26 |
| - | 1 | | | | | | DRAG, TERMINAL | 25 |
| - | 1 | | | | | | SCR, SKT HD SHLDR 5.0 DIA X 6.0 | 23 |
| - | 1 | | | | | | SCR, SKT HD CAP, RoHS, M4 X 8.0 | 21 |
| - | 2 | | | | | | WASHER, FLAT, REG M4 | 20 |
| - | 1 | | | | | | STRIPPER, SIDE FEED | 19 |
| - | 1 | | | | | | GUIDE, FRONT STRIP | 12 |
| | 1 | | | | | | BLADE, SLUG | 10 |
| | 1 | | | | | | PLATE, REAR SHEAR | 9 |
| | 1 | | | | | | ANVIL, SPECIAL, COMBINATION | 8 |
| - | - | | | | | | - | 7 |
| - | - | | | | | | - | 6 |
| - | - | | | | | | - | 5 |
| - | 1 | | | | | | BLOCK, FL CRIMPER SPACER | 4 |
| | 1 | | | | | | CRIMPER, INSULATION F | 3 |
| - | 1 | | | | | | SPACER, CRIMPER | 2 |
| | 1 | | | | | | CRIMPER, WIRE F | 1 |

| | | | | | | | | | | |
|--|--|--|--|--------------|---------|---------|---------|---------|----------|--------|
| DIMENSIONS: mm | | TOLERANCES UNLESS OTHERWISE SPECIFIED: | | 0 PLC ± | 1 PLC ± | 2 PLC ± | 3 PLC ± | 4 PLC ± | ANGLES ± | FINISH |
| MATERIAL | | FINISH | | WEIGHT | | SCALE | | SHEET | | REV |
| Customer Accessible Production Drawing | | SCALE 1:2 | | SHEET 3 OF 4 | | REV B | | | | |

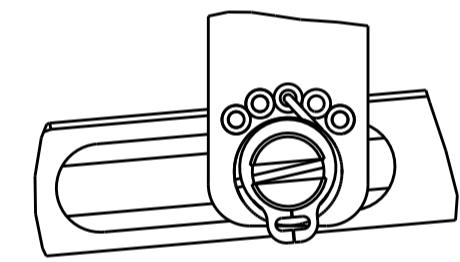
| LOC | DIST | REV | DATE | BY | APPD |
|-----|------|-----|------|----|------|
| A | 66 | | | | |
| | | | | | |
| | | | | | |

FEED TYPE

PNEUMATIC

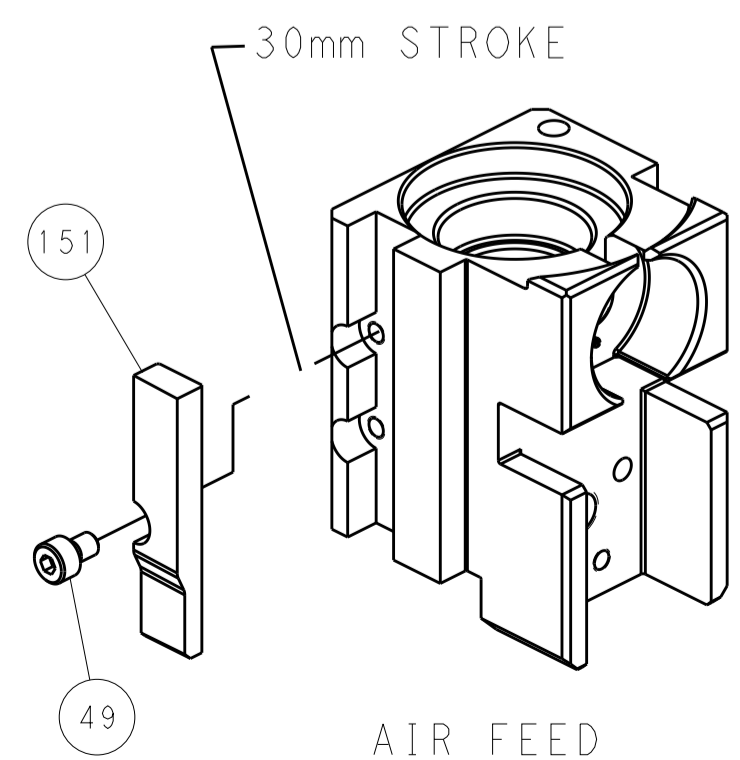


FEED SPRING SETTING POSITION (SHOWN FROM REAR SIDE)

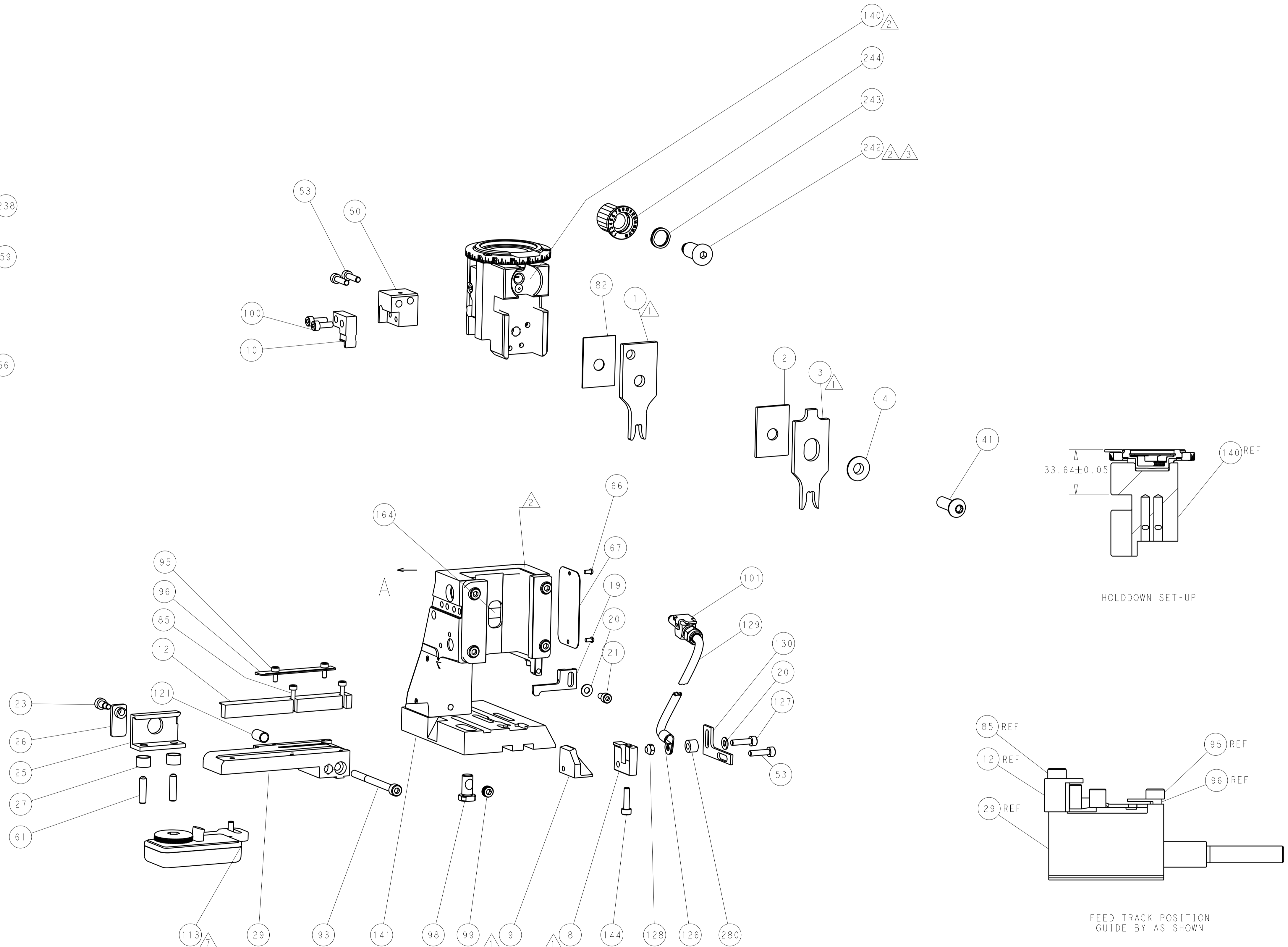


DETAIL A

CAM POSITION



AIR FEED



HOLDDOWN SET-UP

FEED TRACK POSITION
GUIDE BY AS SHOWN

PACIFIC VERSION
 Shown on sheets 3 of 4 & 4 of 4
 (Atlantic version shown on sheets 1 of 4 & 2 of 4)

| | | | |
|--|--|--|--|
| <small>THIS DRAWING IS UNPUBLISHED. RELEASED FOR PUBLICATION 2017. IT IS THE PROPERTY OF TYCO ELECTRONICS CORPORATION. IT IS TO BE USED ONLY FOR THE PURPOSES AND IN THE QUANTITIES SPECIFIED BY THE PURCHASER. IT IS TO BE RETURNED TO TYCO ELECTRONICS CORPORATION IF NOT SO USED.</small> | | DWN: M_HERR 16AUG2017 CHK: T_ELBIN 16AUG2017 APVD: T_ELBIN 16AUG2017 | NAME: TE Connectivity Harrisburg, PA 17105-3608 |
| DIMENSIONS: mm TOLERANCES UNLESS OTHERWISE SPECIFIED: 0 PLC ± 1 PLC ± 2 PLC ± 3 PLC ± 4 PLC ± ANGLES ± | PRODUCT SPEC APPLICATION SPEC WEIGHT SCALE: 1:2 | SIZE: A1 CAGE CODE: 00779 DRAWING NO: C=2836889 | RESTRICTED TO: B |
| MATERIAL: - FINISH: - | | CUSTOMER ACCESSIBLE PRODUCTION DRAWING | SHEET 4 OF 4 REV B |