

PART NUMBER	REVISION	DESCRIPTION	FEED TYPE
2836774-1	B	FINE CRIMP HEIGHT ADJUST	MECHANICAL
2836774-2	B	FINE CRIMP HEIGHT ADJUST	PNEUMATIC
7-2836774-1	B	MECHANICAL AND CRIMP TOOLING KIT	MECHANICAL
7-2836774-2	B	PNEUMATIC AND CRIMP TOOLING KIT	PNEUMATIC
7-2836774-7	A	CRIMP TOOLING KIT	-

ATLANTIC VERSION TERMINATOR INTERFACE ADAPTER



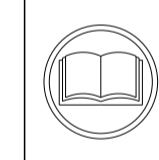
APPLICATOR DATA		
CRIMP	SIZE	TYPE
WIRE	2.45 mm [.096]	F
INSUL	4.10 mm [.161]	O

APPLICATOR INSTRUCTIONS 408-35042

TERMINAL DATA: G&H(LEAR) TERMINAL LEAR CRIMP SPECIFICATION	
TERMINAL NAME: MDK3 PLUS TERMINAL	
WIRE STRIP LENGTH	INSULATION DIAMETER RANGE
4.34-5.11 mm [.171-.201 IN]	∅
TERMINAL APPLICATION SPECIFICATION	26627 Rev 7

TERMINALS APPLIED				
TE TERMINAL	G&H(LEAR) TERMINAL	TE SEAL	G&H(LEAR) SEAL	CABLE DIAMETER
1949123-1	26627.331.710	1949095-1	16694.627.626	1.90-3.00mm
1949123-2	26627.331.179	1949095-2	15339992	2.10-2.90mm
1949123-3	26405.213.178	1949095-3	16260.627.626	1.90-3.00mm

WIRE SIZE	CRIMP HEIGHT mm [INCH]	CRIMP HEIGHT REFERENCE SETTING
2.50mm2	1.60+/-0.05 [1.063+/-0.002]	5.5
1.50mm2	1.45+/-0.05 [1.057+/-0.002]	6.9



***WARNING**
ON INSTALLATION, SET WIRE DISC TO CRIMP HEIGHT REFERENCE SETTING FOR LARGEST WIRE SIZE. CRIMP HEIGHT REFERENCE SETTINGS GREATER THAN THE VALUE SHOWN MAY CAUSE DAMAGE TO THE CRIMP TOOLING. REFER TO THE INSTRUCTION SHEET FOR PROPER SETUP AND ADJUSTMENTS.

- 1 RECOMMENDED SPARE PARTS
- 2 REFER TO SUPPLIED INSTRUCTION SHEET FOR CLEANING, LUBRICATION AND STORAGE OF APPLICATOR.
- 3 APPLY PART NUMBER 2-23419-6 LOCTITE TO THREADS OF ITEM 242.
- 4 CRIMP HEIGHT REFERENCE SETTING WAS THE SETTING USED WHEN THE APPLICATOR WAS QUALIFIED AT THE FACTORY. ADJUSTMENT MAY BE NECESSARY WHEN RUNNING APPLICATOR IN THE FIELD.
- 5 APPLY TORO-SEAL IN ALLEN SOCKET TO FILL HOLE AFTER FLAT HD HAS BEEN ADJUSTED TO CORRECT HEIGHT AT QUALIFICATION. APPLY #1-23419-5 LOC-TITE TO THREADS.
- 6. UNLESS SPECIFIED OTHERWISE TORQUE VALUES SHALL BE USED PER DOCUMENT, 101-35000.

LOC	DIST	REVISIONS					
A	66	P	LTN	DESCRIPTION	DATE	OWN	APVD
		A		RELEASED	19JUNE2017	TB	CT
		B		ECR-20-014687	15OCT2020	TB	RR

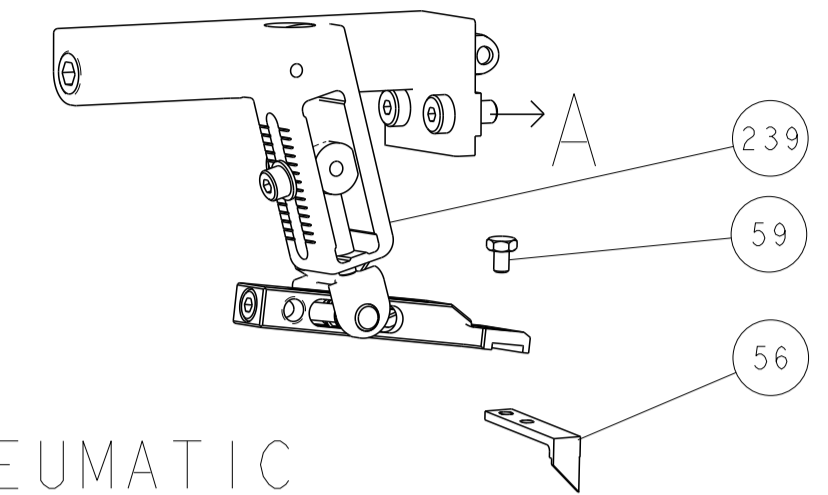
-	1	-	1	-	2119641-1	FEED CAM, AIR FEED	248	
-	1	1	1	1	2119082-2	CAM, SNAIL, INSULATION ADJUSTMENT	244	
-	1	1	1	1	2079764-1	WASHER, WAVE SPRING, CREST-TO-CREST	243	
-	1	1	1	1	2119083-1	RETAINER, INSULATION DIAL	242	
-	1	1	1	1	7-18023-7	SCR, SKT HD CAP M3 X 4.0	241	
-	-	1	-	1	2119580-1	MECHANICAL FEED ASSEMBLY	239	
-	1	-	1	-	2844940-1	AIR FEED MODULE	238	
-	REF	REF	REF	REF	994970-2	COUNTER, MAGNETIC	164	
-	1	1	1	1	2844908-1	SCREW, LOCKING	99	
-	1	1	1	1	2844907-1	POST, LOCKING	98	
-	1	1	1	1	455888-5	SPACER, CRIMPER	82	
-	1	1	1	1	1803607-3	DOCUMENTATION PACKAGE	71	
-	1	1	1	1	2119791-9	DEPRESSOR, WIRE	70	
-	1	1	1	1	2119740-1	TAG IDENTIFICATION	67	
-	2	2	2	2	2168078-1	SCREW, DRIVE, RH, RoHS, 2 x .188	66	
-	1	1	1	1	2168083-2	SCR, SKT HD CAP, RoHS, M4 X 8.0	60	
-	1	1	1	1	5-18022-5	SCR, HEX HD CAP, M4 X 6.0	59	
-	1	1	1	1	985575-3	SCR, FLT SKT HD CAP M3 X 10.0	57	
-	1	1	1	1	1338685-1	PAWL, FEED	56	
-	4	4	4	4	2168083-3	SCR, SKT HD CAP, RoHS, M4 X 12.0	54	
-	2	2	2	2	2-2168083-5	SCR, SKT HD CAP, RoHS, M4 X 14	53	
-	1	1	1	1	5018030-1	NUT, HEX, REG, RoHS, M3	52	
-	1	1	1	1	811242-5	BUMPER, HOLD DOWN	51	
-	1	1	1	1	690753-2	SPACER, TONKER	50	
-	1	2	1	2	18023-9	SCR, SKT HD CAP M4 X 6.0	49	
-	-	1	-	1	2119652-1	FEED CAM, PRE FEED	48	
-	-	1	-	1	2119653-1	FEED CAM, POST FEED	47	
-	1	1	1	1	1803583-9	APPLICATOR BASIC ASSEMBLY, SF	46	
-	1	1	1	1	1803515-1	RAM ASSEMBLY, SF ATLANTIC	44	
-	1	1	1	1	1803602-1	SCR, BHSC, RoHS (M8 X 25)	41	
-	1	1	1	1	3-1752356-4	SUPPORT, TERMINAL	34	
-	2	2	2	2	2079383-5	SCR, BHSC, RoHS (M4 X 20)	33	
-	2	2	2	2	2-2844962-8	SPACER, CYLINDRICAL, STRIP GUIDE	30	
-	1	1	1	1	2844992-4	ASSEMBLY, STRIP GUIDE	29	
-	1	1	1	1	455888-3	SPACER, CRIMPER	28	
-	1	1	1	1	240792-1	DRAG, TERMINAL	25	
-	1	1	1	1	1320928-2	STRIP GUIDE	24	
-	1	1	1	1	2168083-2	SCR, SKT HD CAP, RoHS, M4 X 8.0	21	
-	2	2	2	2	1-18028-2	WASHER, FLAT, REG M4	20	
-	1	1	1	1	2119533-1	STRIPPER, SIDE FEED	19	
-	1	1	1	1	2119806-1	INSERT, SHEAR	13	
-	1	1	1	1	3-22280-3	SPRING, COMPRESSION	12	
-	1	1	1	1	1-356885-4	STOP, SHEAR	11	
-	1	1	1	1	2119805-1	SHEAR HOLDER, FRONT	10	
-	1	1	1	1	318707-1	FLOATING SHEAR, FRONT	9	
-	1	2	2	1	1	8-1803252-2	ANVIL, COMBINATION	8
-	1	1	1	1	240641-2	SPACER	7	
-	-	-	-	-	-	-	6	
-	1	1	1	1	2119781-1	DEPRESSOR, SHEAR	5	
-	1	1	1	1	3-238011-1	BLOCK, CRIMPER SPACER	4	
-	1	2	2	1	1	1-1803248-0	CRIMPER, INSULATION O PREMIUM	3
-	-	-	-	-	-	-	2	
-	1	2	2	1	1	1-1803470-9	CRIMPER, WIRE F	1

ATLANTIC VERSION
Shown on sheets 1 of 4 & 2 of 4
(Pacific version shown on sheets 3 of 4 & 4 of 4)

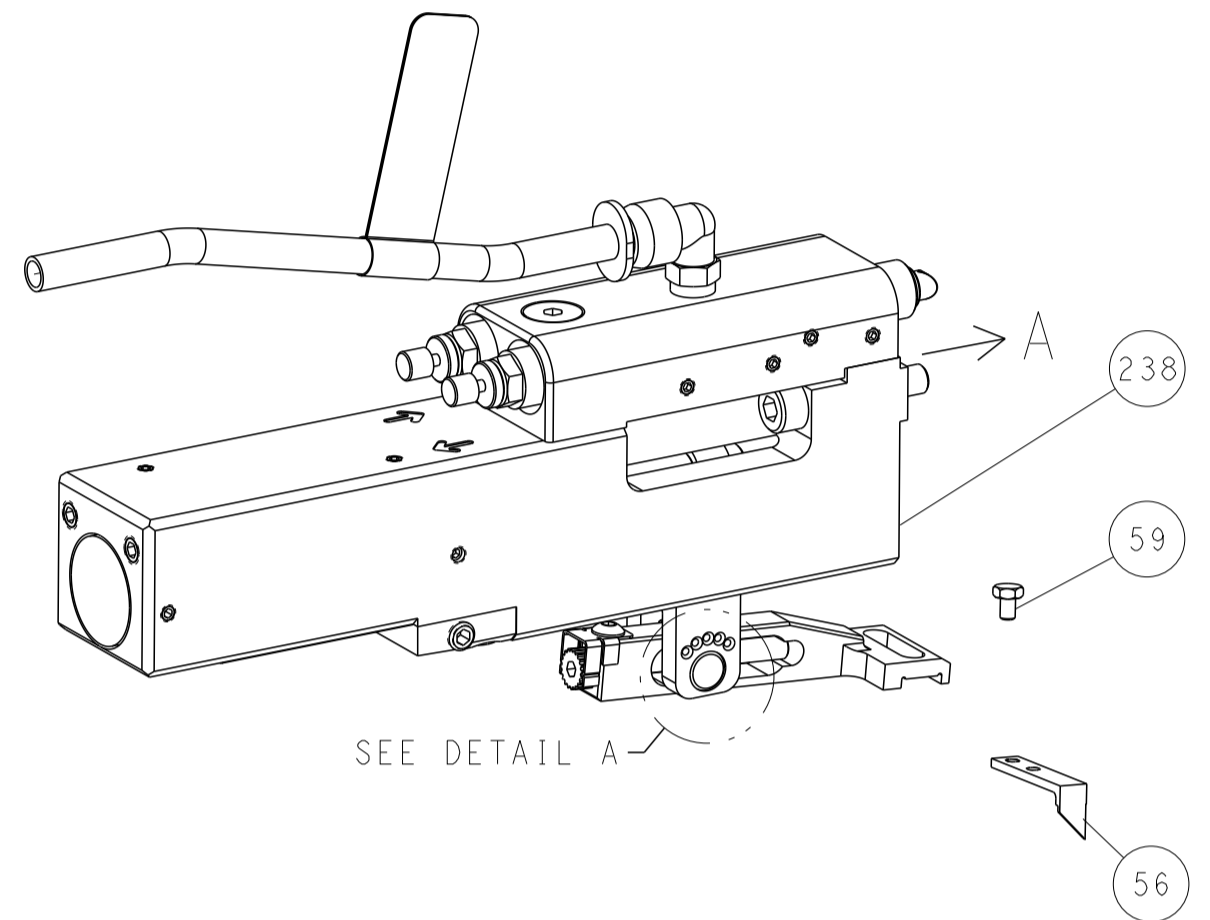
DIMENSIONS:		TOLERANCES UNLESS OTHERWISE SPECIFIED:		MATERIAL:		FINISH:		WEIGHT:		SCALE:		SHEET:		REV:	
mm	0 PLC ±	1 PLC ±	2 PLC ±	3 PLC ±	4 PLC ±	ANGLES	FINISH			A1	00779	1	4	B	

LOC	DIST	REVISIONS					
A	66	P	LTN	DESCRIPTION	DATE	DWN	APVD
		-		SEE SHEET 1	-	-	-

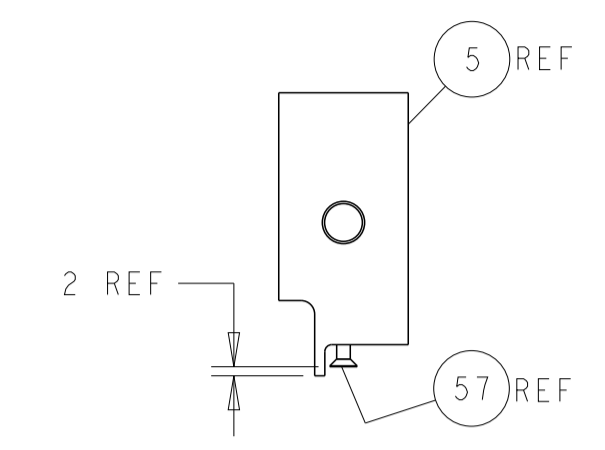
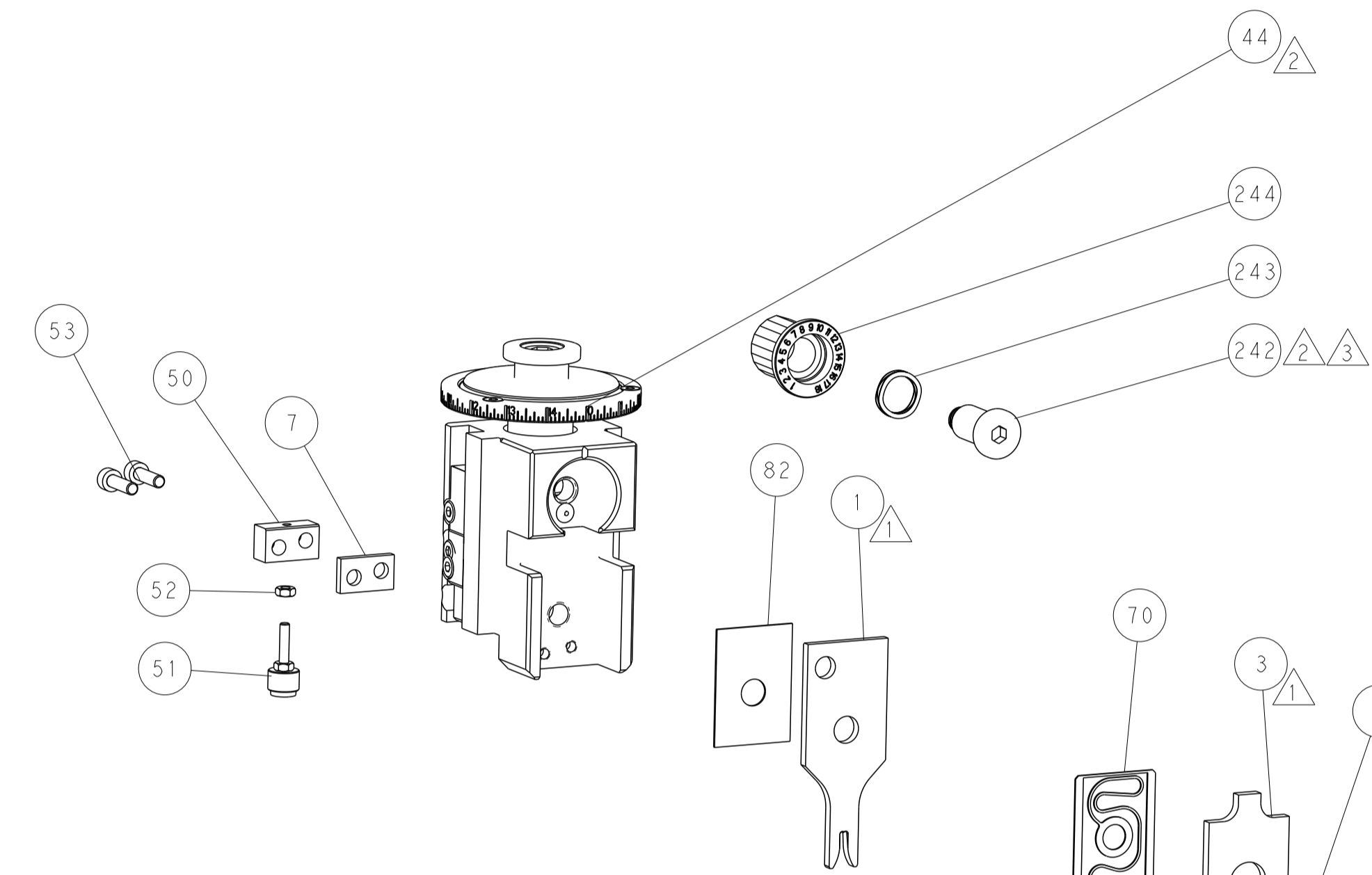
FEED TYPE MECHANICAL



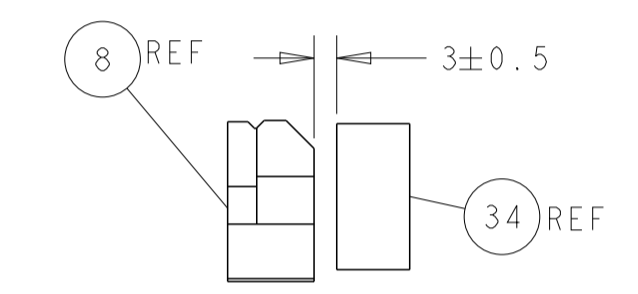
PNEUMATIC



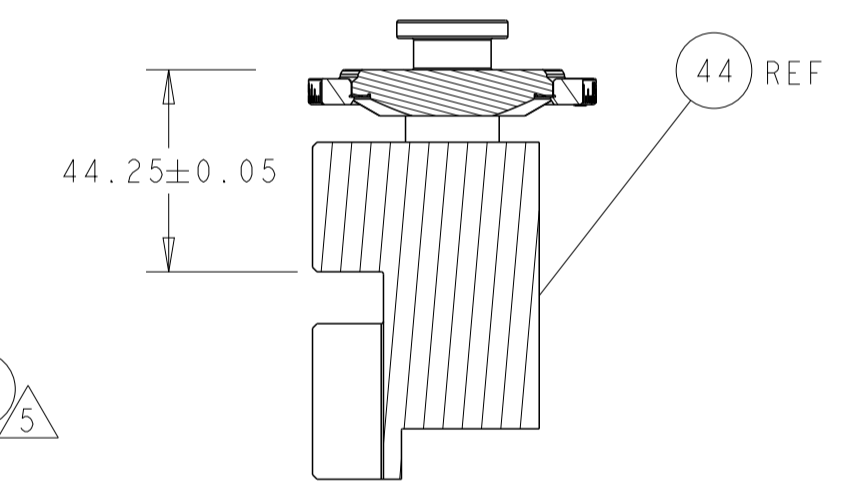
FEED SPRING SETTING POSITION (SHOWN FROM REAR SIDE)



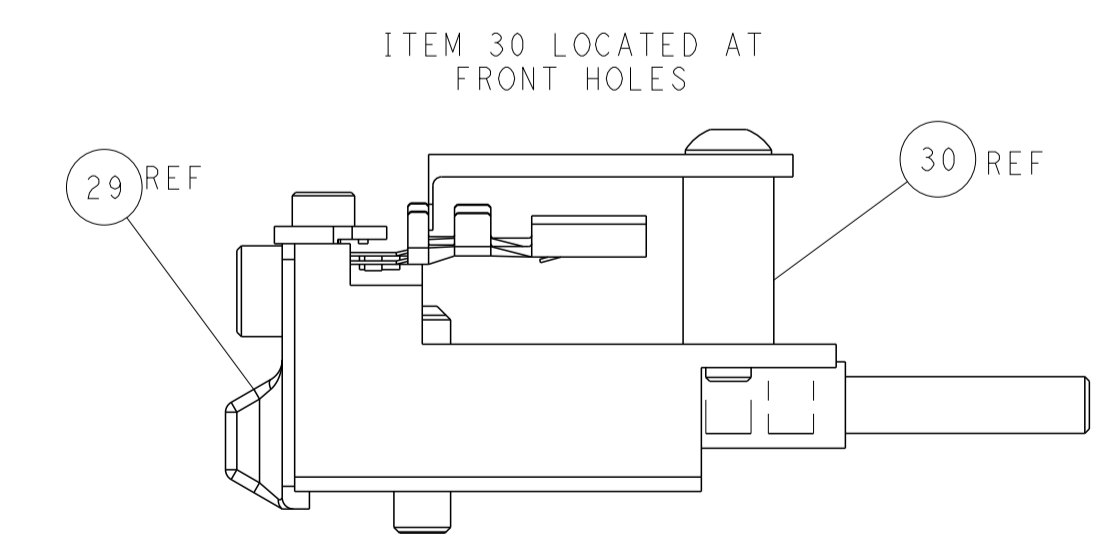
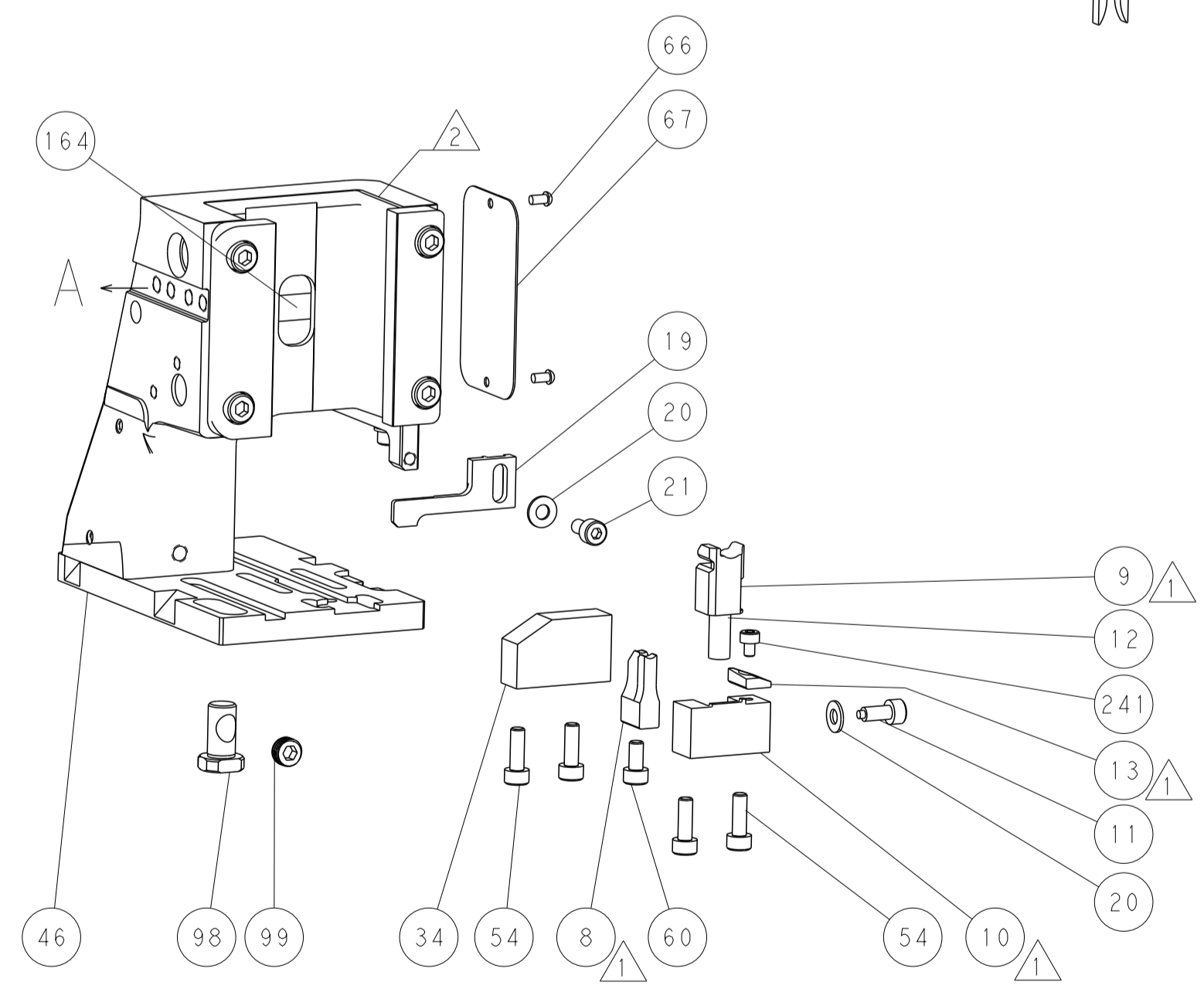
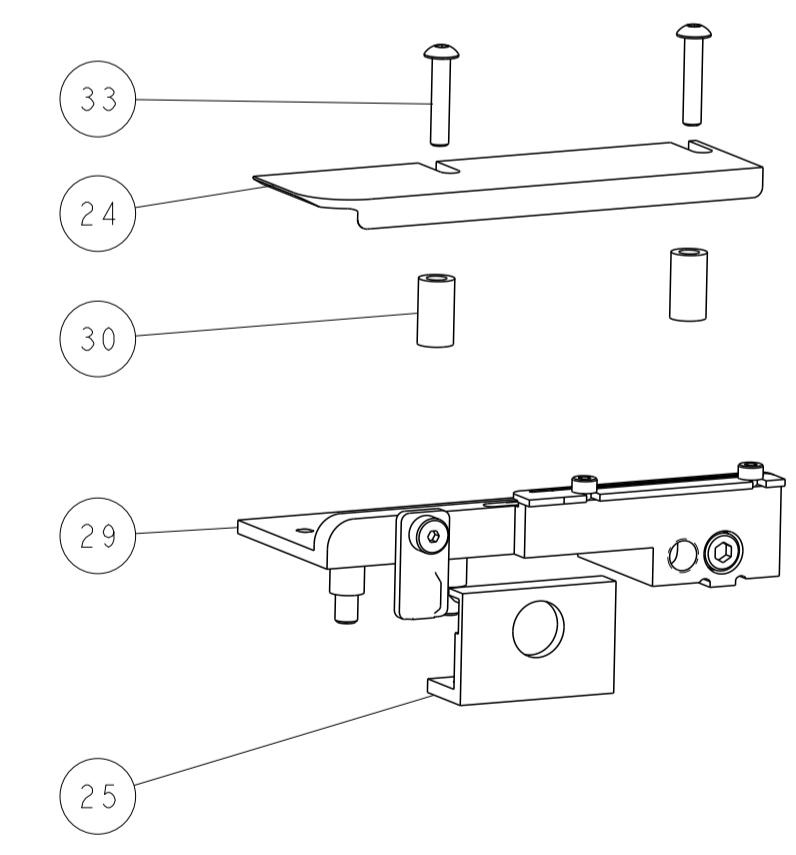
SHEAR DEPRESSOR DETAIL



TERMINAL SUPPORT LOCATION

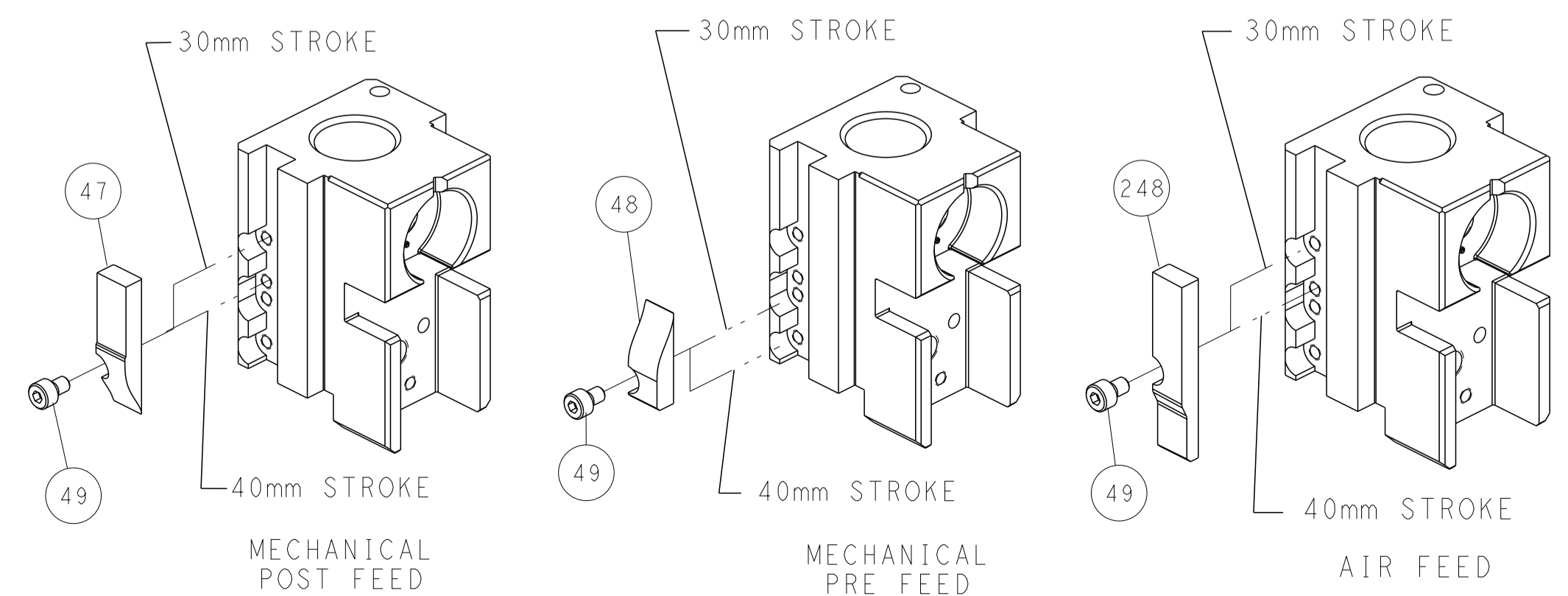


RAM SET-UP



FEED TRACK POSITION GUIDE BY INSULATION BARREL

CAM POSITIONS



ATLANTIC VERSION
 Shown on sheets 1 of 4 & 2 of 4
 (Pacific version shown on sheets 3 of 4 & 4 of 4)

DIMENSIONS: mm 		TOLERANCES UNLESS OTHERWISE SPECIFIED: 0 PLC ± 1 PLC ± 2 PLC ± 3 PLC ± 4 PLC ± ANGLES ± FINISH		DWN: H. HUANG 22MAY2017 CHK: K. HUANG 22MAY2017 APVD: L. ZHANG 22MAY2017 NAME: Ocean Side Feed Applicator SIZE: A1 CAGE CODE: 00779 DRAWING NO: C=2836774 RESTRICTED TO:	
MATERIAL:		WEIGHT:		SCALE: 1:2	
Customer Accessible Production Drawing		SHEET 2 OF 4		REV B	

PART NUMBER	REVISION	DESCRIPTION	FEED TYPE
2-2836774-1	B	FINE CRIMP HEIGHT ADJUST	MECHANICAL
2-2836774-2	B	FINE CRIMP HEIGHT ADJUST	PNEUMATIC
7-2836774-7	A	CRIMP TOOLING KIT	-

PACIFIC VERSION TERMINATOR
 INTERFACE ADAPTER



APPLICATOR DATA		
CRIMP	SIZE	TYPE
WIRE	2.45 mm [.096]	F
INSUL	4.10 mm [.161]	O

APPLICATOR INSTRUCTIONS
 408-35042

TERMINAL DATA: G&H(LEAR) TERMINAL LEAR CRIMP SPECIFICATION				
TERMINAL NAME: MDK3 PLUS TERMINAL				
WIRE STRIP LENGTH	INSULATION DIAMETER RANGE			
4.34-5.11 mm [1.71-.201 IN]	Ø			
TERMINAL APPLICATION SPECIFICATION				
TERMINALS APPLIED				
TE TERMINAL	G&H(LEAR) TERMINAL	TE SEAL	G&H(LEAR) SEAL	CABLE DIAMETER
1949123-1	26627.331.710	1949095-1	16694.627.626	1.90-3.00mm
1949123-2	26627.331.179	1949095-2	15339992	2.10-2.90mm
1949123-3	26405.213.178	1949095-3	16260.627.626	1.90-3.00mm

WIRE SIZE	CRIMP HEIGHT mm [INCH]	CRIMP HEIGHT REFERENCE SETTING
2.50mm2	1.60 +/- 0.05 [1.063 +/- .002]	5.5
1.50mm2	1.45 +/- 0.05 [1.057 +/- .002]	6.9

- RECOMMENDED SPARE PARTS
- REFER TO SUPPLIED INSTRUCTION SHEET FOR CLEANING, LUBRICATION AND STORAGE OF APPLICATOR.
- APPLY PART NUMBER 2-23419-6 LOCTITE TO THREADS OF ITEM 242.
- CRIMP HEIGHT REFERENCE SETTING WAS THE SETTING USED WHEN THE APPLICATOR WAS QUALIFIED AT THE FACTORY. ADJUSTMENT MAY BE NECESSARY WHEN RUNNING APPLICATOR IN THE FIELD.
- APPLY TORQ-SEAL IN ALLEN SOCKET TO FILL HOLE AFTER FLAT HD HAS BEEN ADJUSTED TO CORRECT HEIGHT AT QUALIFICATION. APPLY #1-23419-5 LOC-TITE TO THREADS.
- 6. UNLESS SPECIFIED OTHERWISE TORQUE VALUES SHALL BE USED PER DOCUMENT, 101-35000.

***WARNING**
 ON INSTALLATION, SET WIRE DISC TO CRIMP HEIGHT REFERENCE SETTING FOR LARGEST WIRE SIZE. CRIMP HEIGHT REFERENCE SETTINGS GREATER THAN THE VALUE SHOWN MAY CAUSE DAMAGE TO THE CRIMP TOOLING. REFER TO THE INSTRUCTION SHEET FOR PROPER SETUP AND ADJUSTMENTS.

LOC	DIST	REV	DATE	BY	APPV
A	66	-	-	-	-

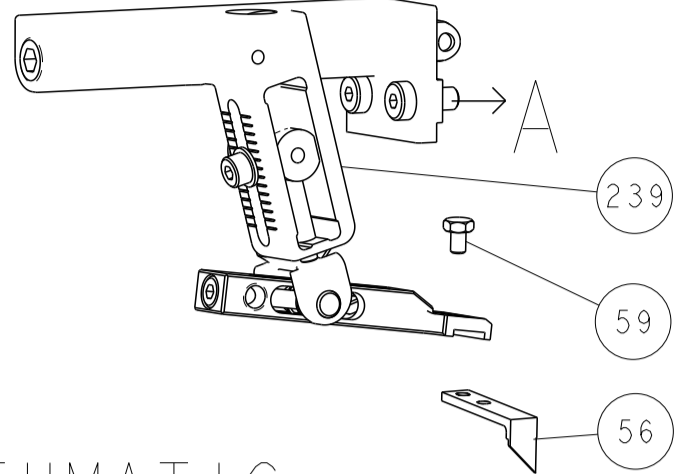
REV	DATE	BY	APPV	DESCRIPTION	ITEM NO	
-	1	1		2119082-2	CAM, SNAIL, INSULATION ADJUSTMENT	244
-	1	1		2079764-1	WASHER, WAVE SPRING, CREST-TO-CREST	243
-	1	1		2119083-1	RETAINER, INSULATION DIAL	242
-	1	1		7-18023-7	SCR, SKT HD CAP M3 X 4.0	241
-	-	1		2119580-1	MECHANICAL FEED ASSEMBLY	239
-	1	-		2844940-1	AIR FEED MODULE	238
-	REF	REF		994970-2	COUNTER, MAGNETIC	164
-	1	-		2119641-2	FEED CAM, AIR FEED	151
-	1	1		2168083-8	SCR, SKT HD CAP, RoHS, M4 X 16	144
-	4	4		2168083-9	SCR, SKT HD CAP, RoHS, M4 X 20	143
-	-	1		2119653-2	FEED CAM, POST FEED	142
-	1	1		1-1803583-0	APPLICATOR BASIC ASSEMBLY, SF	141
-	1	1		1803516-1	RAM ASSEMBLY, SF PACIFIC	140
-	1	1		2844908-1	SCREW, LOCKING	99
-	1	1		2844907-1	POST, LOCKING	98
-	1	1		455888-5	SPACER, CRIMPER	82
-	1	1		1803607-3	DOCUMENTATION PACKAGE	71
-	1	1		2119791-9	DEPRESSOR, WIRE	70
-	1	1		2119740-1	TAG, IDENTIFICATION	67
-	2	2		2168078-1	SCREW, DRIVE, RH, RoHS, 2 x .188	66
-	1	1		5-18022-5	SCR, HEX HD CAP, M4 X 6.0	59
-	1	1		985575-3	SCR, FLT SKT HD CAP M3 X 10.0	57
-	1	1		1338685-1	PAWL, FEED	56
-	2	2		2-2168083-5	SCR, SKT HD CAP, RoHS, M4 X 14	53
-	1	1		5018030-1	NUT, HEX, REG, RoHS, M3	52
-	1	1		811242-5	BUMPER, HOLD DOWN	51
-	1	1		690753-2	SPACER, TONKER	50
-	1	2		18023-9	SCR, SKT HD CAP M4 X 6.0	49
-	-	1		2119652-1	FEED CAM, PRE FEED	48
-	1	1		1803602-1	SCR, BHSC, RoHS (M8 X 25)	41
-	1	1		3-1752356-4	SUPPORT, TERMINAL	34
-	2	2		2079383-5	SCR, BHSC, RoHS (M4 X 20)	33
-	2	2		2-2844962-8	SPACER, CYLINDRICAL, STRIP GUIDE	30
-	1	1		2844992-4	ASSEMBLY, STRIP GUIDE	29
-	1	1		455888-3	SPACER, CRIMPER	28
-	1	1		240792-1	DRAG, TERMINAL	25
-	1	1		1320928-2	STRIP GUIDE	24
-	1	1		2168083-2	SCR, SKT HD CAP, RoHS, M4 X 8.0	21
-	2	2		1-18028-2	WASHER, FLAT, REG M4	20
-	1	1		2119533-1	STRIPPER, SIDE FEED	19
-	1	1		2119806-1	INSERT, SHEAR	13
-	1	1		3-22280-3	SPRING, COMPRESSION	12
-	1	1		1-356885-4	STOP, SHEAR	11
-	1	1		2119805-1	SHEAR HOLDER, FRONT	10
-	1	1		318707-1	FLOATING SHEAR, FRONT	9
-	1	1		8-1803252-2	ANVIL, COMBINATION	8
-	1	1		240641-2	SPACER	7
-	-	-		-	-	6
-	1	1		2119781-1	DEPRESSOR, SHEAR	5
-	1	1		3-238011-1	BLOCK, CRIMPER SPACER	4
-	1	1		1-1803248-0	CRIMPER, INSULATION O PREMIUM	3
-	-	-		-	-	2
-	1	1		1-1803470-9	CRIMPER, WIRE F	1

PACIFIC VERSION
 Shown on sheets 3 of 4 & 4 of 4
 (Atlantic version shown on sheets 1 of 4 & 2 of 4)

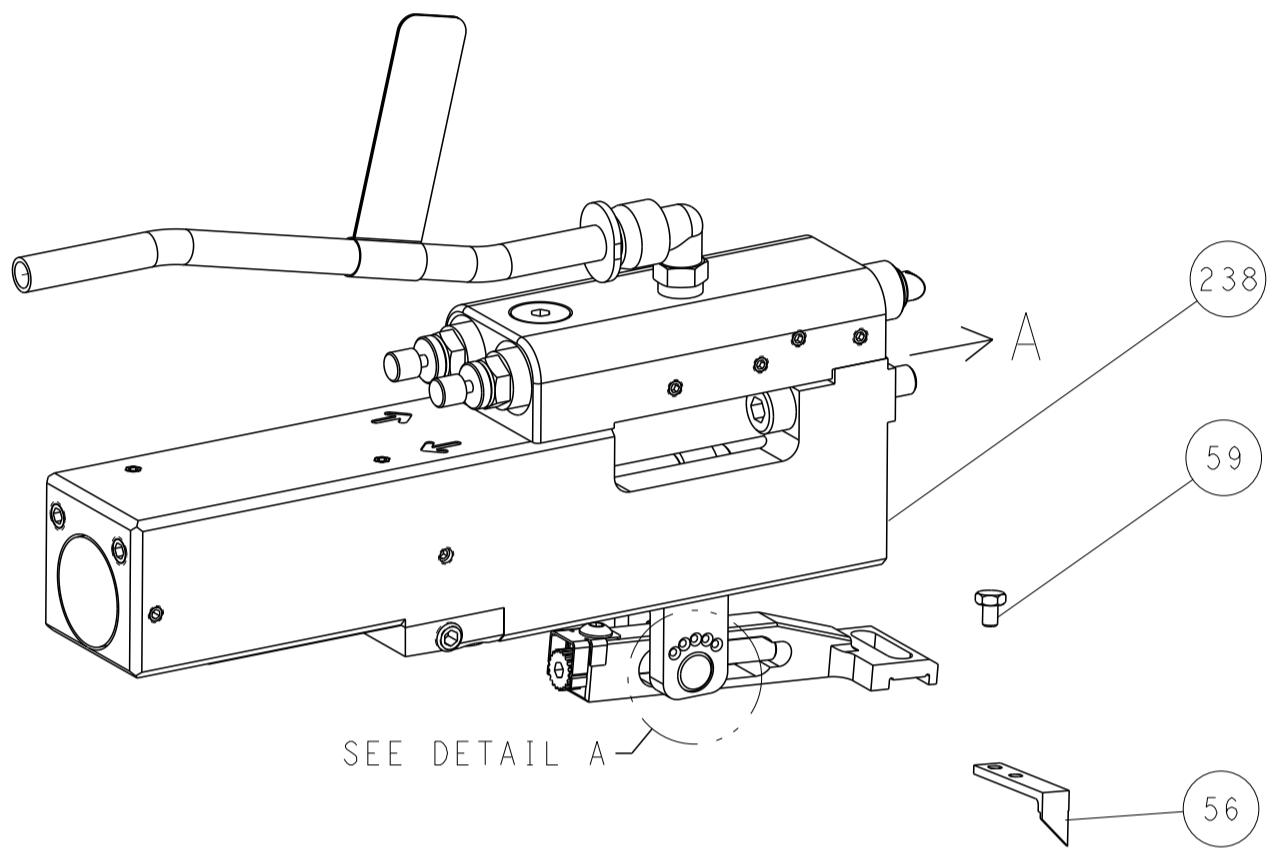
DIMENSIONS: mm		TOLERANCES UNLESS OTHERWISE SPECIFIED:		DWG: K. HUANG 22MAY2017		CHK: K. HUANG 22MAY2017		APVD: L. ZHANG 22MAY2017		NAME: Ocean Side Feed Applicator	
0 PLC	±	1 PLC	±	2 PLC	±	3 PLC	±	4 PLC	±	ANGLES	±
MATERIAL:				FINISH:				WEIGHT:		SCALE: 1:2	
Customer Accessible Production Drawing				SHEET 3 OF 4				REV B		ITEM NO	

LOC	DIST	REVISIONS					
A	66	P	LTN	DESCRIPTION	DATE	DMN	APVD
		-		SEE SHEET 1	-	-	-

FEED TYPE MECHANICAL



PNEUMATIC

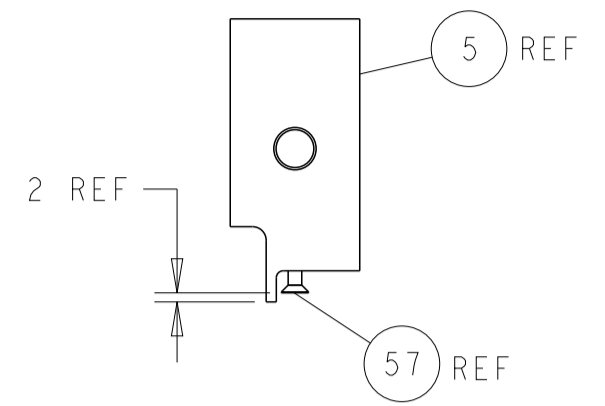
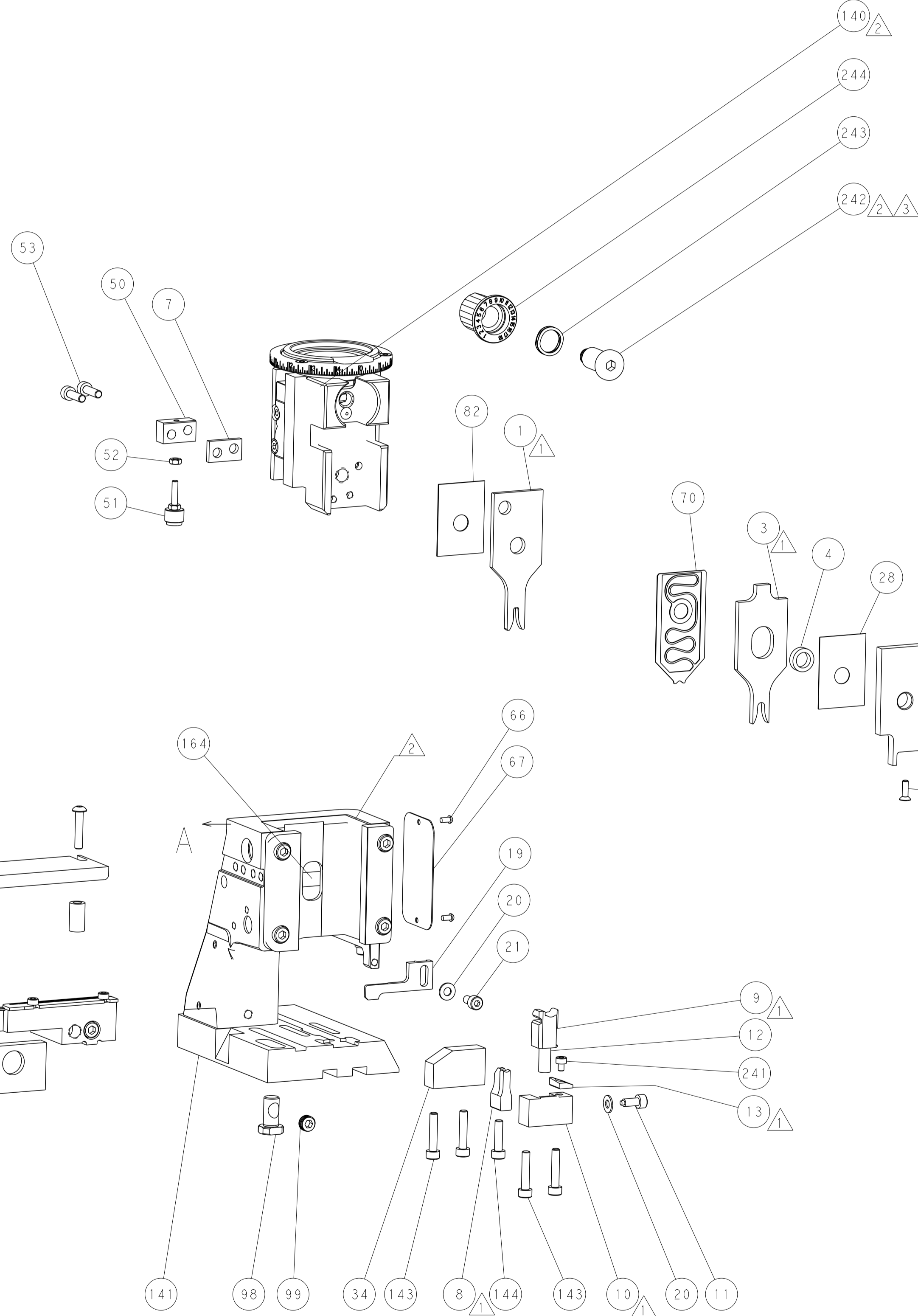
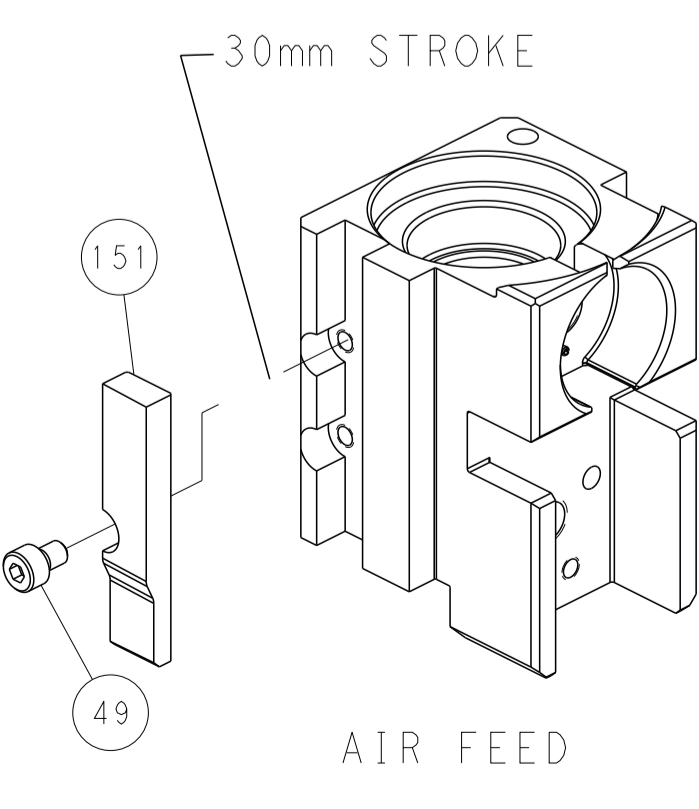
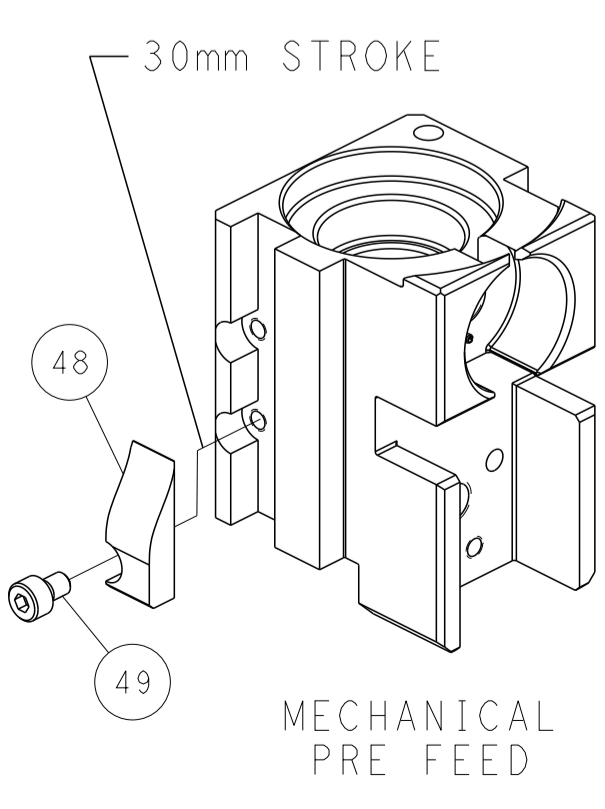
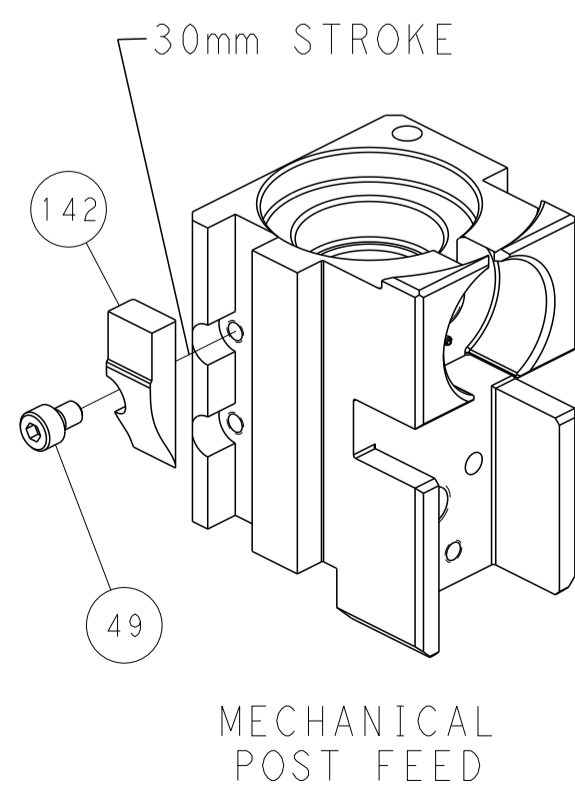


FEED SPRING SETTING POSITION (SHOWN FROM REAR SIDE)

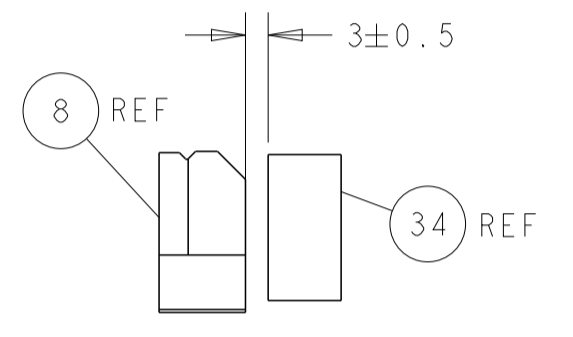


DETAIL A

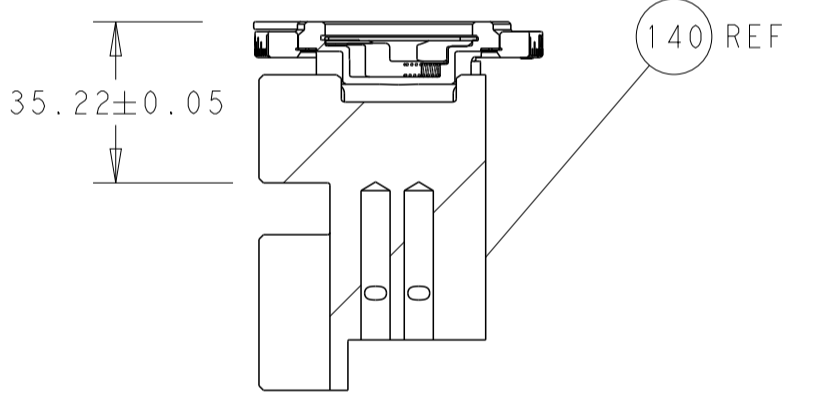
CAM POSITIONS



SHEAR DEPRESSOR DETAIL

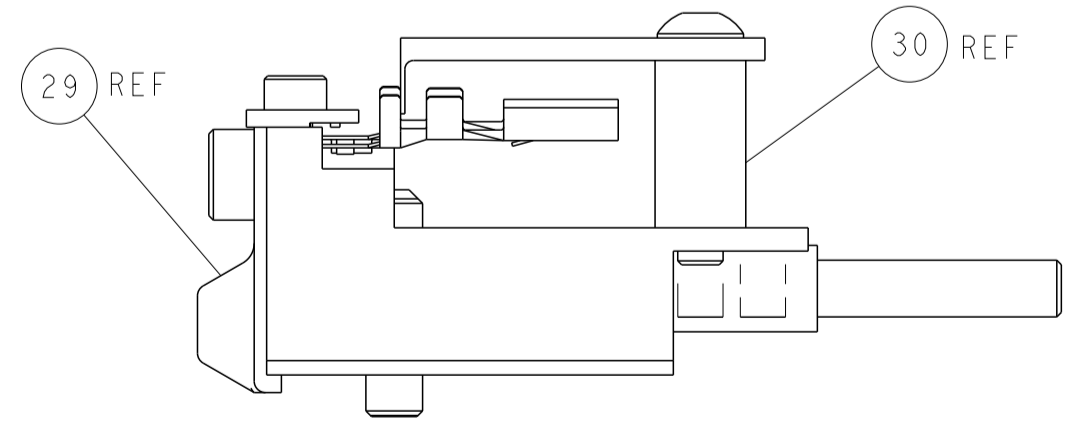


TERMINAL SUPPORT LOCATION



RAM SET-UP

ITEM 30 LOCATED AT FRONT HOLES



FEED TRACK POSITION GUIDE BY INSULATION BARREL

PACIFIC VERSION
 Shown on sheets 3 of 4 & 4 of 4
 (Atlantic version shown on sheets 1 of 4 & 2 of 4)

<small>THIS DRAWING IS UNPUBLISHED. RELEASED FOR PUBLICATION. ALL RIGHTS RESERVED. THIS DRAWING IS CONTROLLED DOCUMENT FOR THE ELECTRONICS CORPORATION. IT IS THE PROPERTY OF THE CORPORATION AND IS NOT TO BE REPRODUCED OR TRANSMITTED IN ANY FORM OR BY ANY MEANS, ELECTRONIC OR MECHANICAL, INCLUDING PHOTOCOPYING, RECORDING, OR BY ANY INFORMATION STORAGE AND RETRIEVAL SYSTEM, WITHOUT THE WRITTEN PERMISSION OF THE CORPORATION.</small>		DMN: K. HUANG CHK: K. HUANG APVD: L. ZHANG	DATE: 22MAY2017 DATE: 22MAY2017	TE Connectivity Harrisburg, PA 17105-3608
DIMENSIONS: mm TOLERANCES UNLESS OTHERWISE SPECIFIED: 0 PLC ± 1 PLC ± 2 PLC ± 3 PLC ± 4 PLC ± ANGLES ± MATERIAL: - FINISH: -		NAME: Ocean Side Feed Applicator APPLICATION SPEC: - SIZE: A1 CAGE CODE: 00779 DRAWING NO: 2836774	RESTRICTED TO: - SCALE: 1:2 SHEET: 4 OF: 4 REV: B	CUSTOMER ACCESSIBLE PRODUCTION DRAWING