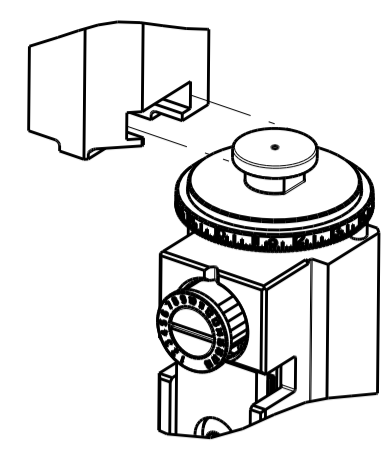


PART NUMBER	REVISION	DESCRIPTION	FEED TYPE
2836629-1	B	FINE CRIMP HEIGHT ADJUST	MECHANICAL
2836629-2	B	FINE CRIMP HEIGHT ADJUST	PNEUMATIC
7-2836629-1	B	MECHANICAL AND CRIMP TOOLING KIT	MECHANICAL
7-2836629-2	B	PNEUMATIC AND CRIMP TOOLING KIT	PNEUMATIC
7-2836629-7	A	CRIMP TOOLING KIT	-

ATLANTIC VERSION TERMINATOR
INTERFACE ADAPTER

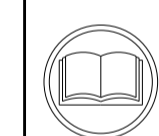


CRIMP	SIZE	TYPE
WIRE	1.78 mm [.070]	F
INSUL	3.50 mm [.138]	F

APPLICATOR INSTRUCTIONS
408-35042

TERMINAL DATA: LANDWIN TERMINAL		TE CRIMP SPECIFICATION	
TERMINAL NAME: BOARD-IN TERMINAL			
WIRE STRIP LENGTH		INSULATION DIAMETER RANGE	
4.70-5.46 mm [.185-.215 IN]		∅ 3.40 mm [.134 IN.] MAX	
TERMINAL APPLICATION SPECIFICATION	NONE		
TERMINALS APPLIED			
TE TERMINAL	LANDWIN TERMINAL	TE TERMINAL	LANDWIN TERMINAL
2303721-1	5250T011X		

WIRE SIZE	CRIMP HEIGHT mm [INCH]	CRIMP HEIGHT REFERENCE SETTING
2 x 18 AWG	1.68+/-0.05 [.066+/-0.002]	7.1
16 AWG	1.49+/-0.05 [.059+/-0.002]	8.4



- 1 RECOMMENDED SPARE PARTS
- 2 REFER TO SUPPLIED INSTRUCTION SHEET FOR CLEANING, LUBRICATION AND STORAGE OF APPLICATOR.
- 3 APPLY PART NUMBER 2-23419-6 LOCTITE TO THREADS OF ITEM 242.
- 4 CRIMP HEIGHT REFERENCE SETTING WAS THE SETTING USED WHEN THE APPLICATOR WAS QUALIFIED AT THE FACTORY. ADJUSTMENT MAY BE NECESSARY WHEN RUNNING APPLICATOR IN THE FIELD.
- 5 TERMINAL LUBRICANT IS RECOMMENDED.
- 6. UNLESS SPECIFIED OTHERWISE TORQUE VALUES SHALL BE USED PER DOCUMENT, 101-35000.
- 7 MAXIMUM COMBINED INSULATION DIAMETER.

***WARNING**
ON INSTALLATION, SET WIRE DISC TO CRIMP HEIGHT REFERENCE SETTING FOR LARGEST WIRE SIZE. CRIMP HEIGHT REFERENCE SETTINGS GREATER THAN THE VALUE SHOWN MAY CAUSE DAMAGE TO THE CRIMP TOOLING, REFER TO THE INSTRUCTION SHEET FOR PROPER SETUP AND ADJUSTMENTS.

LOC		DIST		REVISIONS			
A		66		REV	DATE	BY	CHKD
				1	13FEB2017	MEH	TE
				A	21MAR2017	MEH	TE
				B	28MAY2019	FJ	CT
				B1	16SEP2019	MZ	TE

REV	DATE	BY	CHKD	ITEM NO	DESCRIPTION	ITEM NO
-	1	-	1	2119640-1	PUSH ROD, AIR FEED	250
-	1	-	1	1803259-1	BUSHING, FLANGED	249
-	1	-	1	2119641-1	FEED CAM, AIR FEED	248
-	1	1	1	2119082-4	CAM, SNAIL, INSULATION ADJUSTMENT	244
-	1	1	1	2079764-1	WASHER, WAVE SPRING, CREST-TO-CREST	243
-	1	1	1	2119083-1	RETAINER, INSULATION DIAL	242
-	1	1	1	7-18023-7	SCR, SKT HD CAP M3 X 4.0	241
-	-	1	-	2119580-1	MECHANICAL FEED ASSEMBLY	239
-	1	-	1	2063440-1	AIR FEED MODULE	238
-	2	-	2	21045-3	RING, RETAIN, EXTERN, 3/16 CRESCENT	172
-	REF	REF	REF	994970-2	COUNTER, MAGNETIC	164
-	1	-	1	240638-1	SPRING, FEED FINGER	163
-	1	-	1	3-23627-7	PIN, RETAIN, GRVD, 3/16 X .854	137
-	1	-	1	2119799-1	HOLDER, FEED FINGER, AF	136
-	1	1	1	2119955-1	ASSY, LUBRICATOR, SIDE FEED	113
-	1	1	1	2844908-1	SCREW, LOCKING	99
-	1	1	1	2844907-1	POST, LOCKING	98
-	1	1	1	455888-4	SPACER, CRIMPER	82
-	1	1	1	1803607-1	DOCUMENTATION PACKAGE	71
-	1	1	1	2119791-9	DEPRESSOR, WIRE	70
-	1	1	1	2119740-1	TAG, IDENTIFICATION	67
-	2	2	2	2168078-1	SCREW, DRIVE, RH, RoHS, 2 x .188	66
-	1	1	1	2168083-2	SCR, SKT HD CAP, RoHS, M4 X 8.0	60
-	1	1	1	5-18022-5	SCR, HEX HD CAP, M4 X 6.0	59
-	1	1	1	1338685-1	PAWL, FEED	56
-	2	2	2	2168083-3	SCR, SKT HD CAP, RoHS, M4 X 12.0	54
-	1	2	1	18023-9	SCR, SKT HD CAP M4 X 6.0	49
-	-	1	-	2119652-1	FEED CAM, PRE FEED	48
-	-	1	-	2119653-1	FEED CAM, POST FEED	47
-	1	1	1	1803583-9	APPLICATOR BASIC ASSEMBLY, SF	46
-	1	1	1	1803515-1	RAM ASSEMBLY, SF ATLANTIC	44
-	1	1	1	1803602-1	SCR, BHSC, RoHS (M8 X 25)	41
-	2	2	2	2079383-5	SCR, BHSC, RoHS (M4 X 20)	33
-	2	2	2	2-2844962-3	SPACER, CYLINDRICAL, STRIP GUIDE	30
-	1	1	1	2844992-1	ASSEMBLY, STRIP GUIDE	29
-	1	1	1	455888-5	SPACER, CRIMPER	28
-	1	1	1	1320928-2	STRIP GUIDE	24
-	1	1	1	2168083-2	SCR, SKT HD CAP, RoHS, M4 X 8.0	21
-	2	2	2	1-18028-2	WASHER, FLAT, REG M4	20
-	1	1	1	2119533-1	STRIPPER, SIDE FEED	19
-	1	1	1	2119806-1	INSERT, SHEAR	13
-	1	1	1	3-22280-3	SPRING, COMPRESSION	12
-	1	1	1	1-356885-4	STOP, SHEAR	11
-	1	1	1	2119805-1	SHEAR HOLDER, FRONT	10
-	1	1	1	1803095-6	FLOATING SHEAR, FRONT	9
-	1	2	2	1803180-4	ANVIL, COMBINATION	8
-	-	-	-	-	-	7
-	-	-	-	-	-	6
-	1	1	1	2119757-4	DEPRESSOR, SHEAR	5
-	1	1	1	4-238011-7	BLOCK, CRIMPER SPACER	4
-	1	2	2	1-1803384-1	CRIMPER, INSULATION F	3
-	1	1	1	455888-3	SPACER, CRIMPER	2
-	1	2	2	1803470-3	CRIMPER, WIRE F	1

ATLANTIC VERSION
Shown on sheets 1 of 4 & 2 of 4
(Pacific version shown on sheets 3 of 4 & 4 of 4)

DIMENSIONS: mm		TOLERANCES UNLESS OTHERWISE SPECIFIED:		0 PLC ±	1 PLC ±	2 PLC ±	3 PLC ±	4 PLC ±	ANGLES ±	FINISH
MATERIAL		FINISH		WEIGHT		SCALE		SHEET		REV
Customer Accessible Production Drawing		SCALE		SHEET		REV		ITEM NO		

STE TE Connectivity
Harrisburg, PA 17105-3608

NAME: Ocean Side Feed Applicator

SIZE: A1 CAGE CODE: 00779 DRAWING NO: 2836629

RESTRICTED TO: Customer Accessible Production Drawing

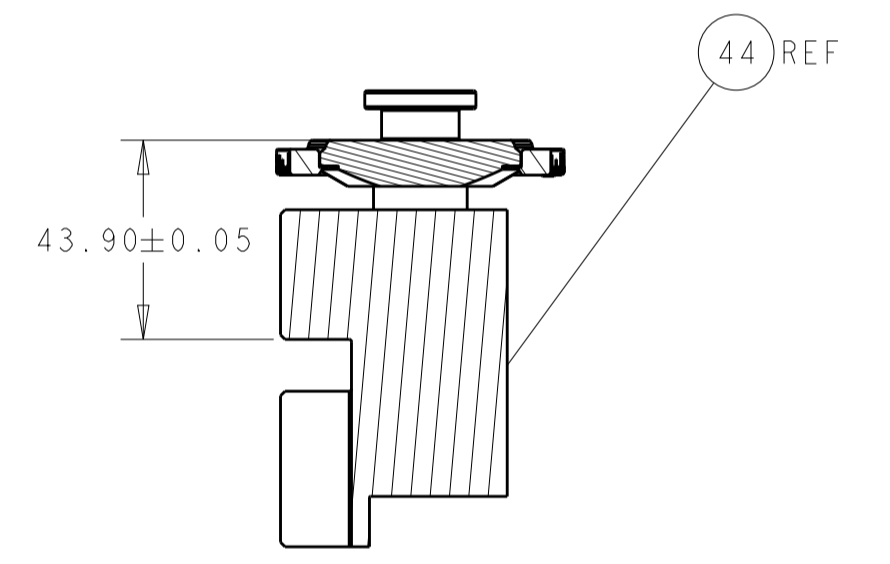
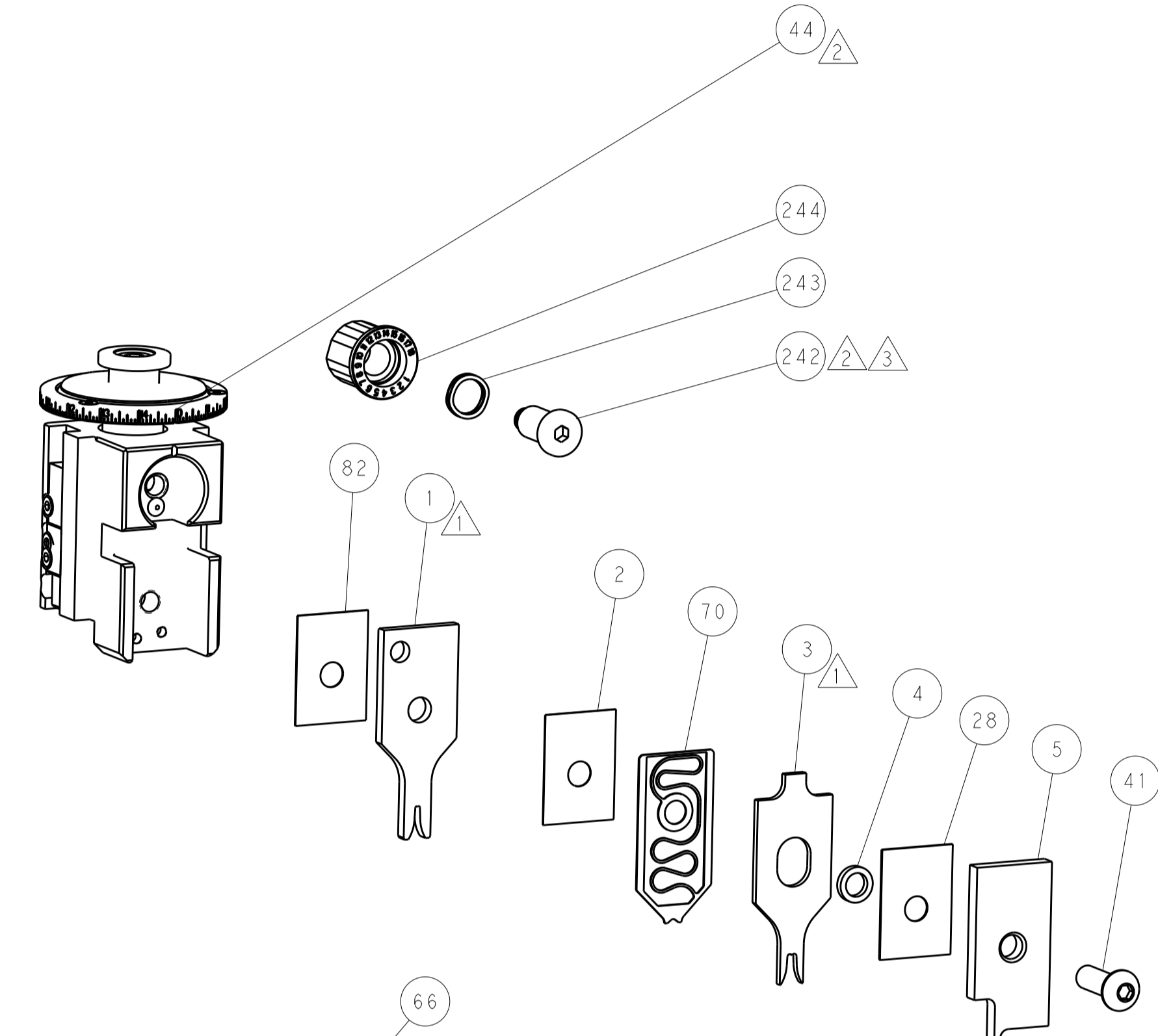
OWN	13FEB2017	CHKD	13FEB2017	APVD	13FEB2017
M. HERR		T. ELBIN		T. ELBIN	
PRODUCT SPEC		APPLICATION SPEC		WEIGHT	
SIZE		CAGE CODE		DRAWING NO	
SCALE		SHEET		REV	

LOC		DIST		REVISIONS			
A	66	P	LTM	DESCRIPTION	DATE	OWN	APVD
		-		SEE SHEET 1			

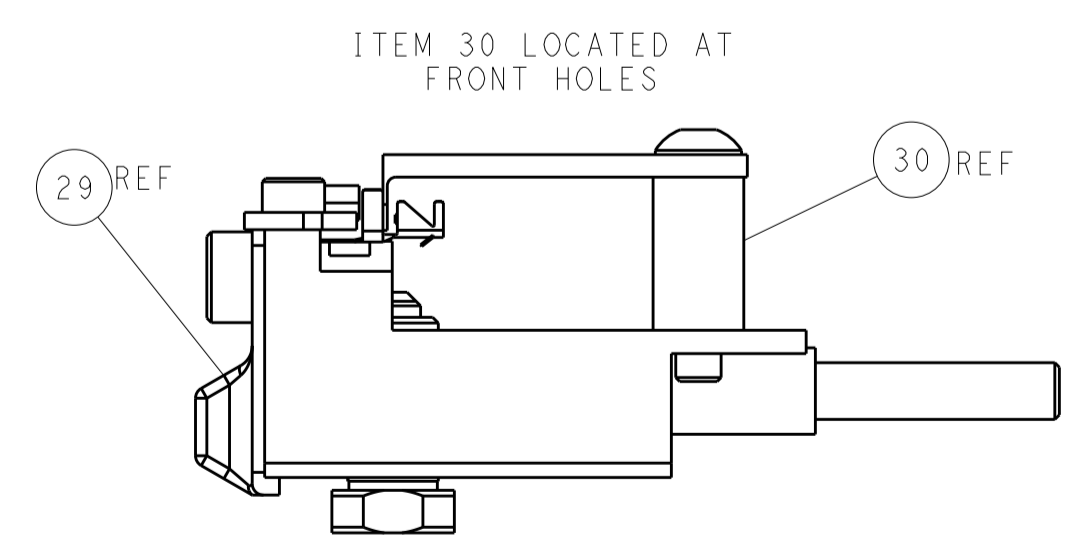
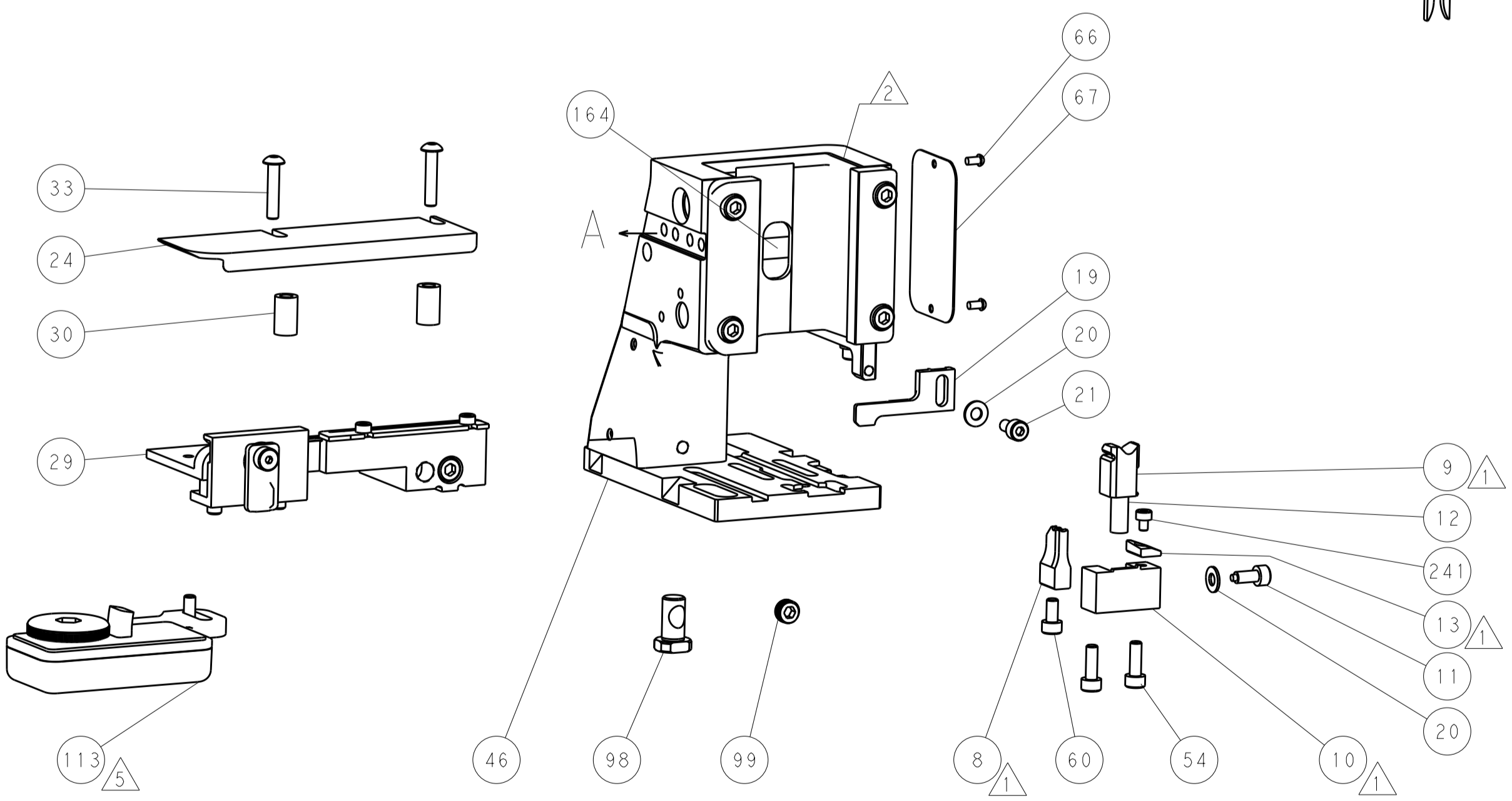
FEED TYPE MECHANICAL



PNEUMATIC

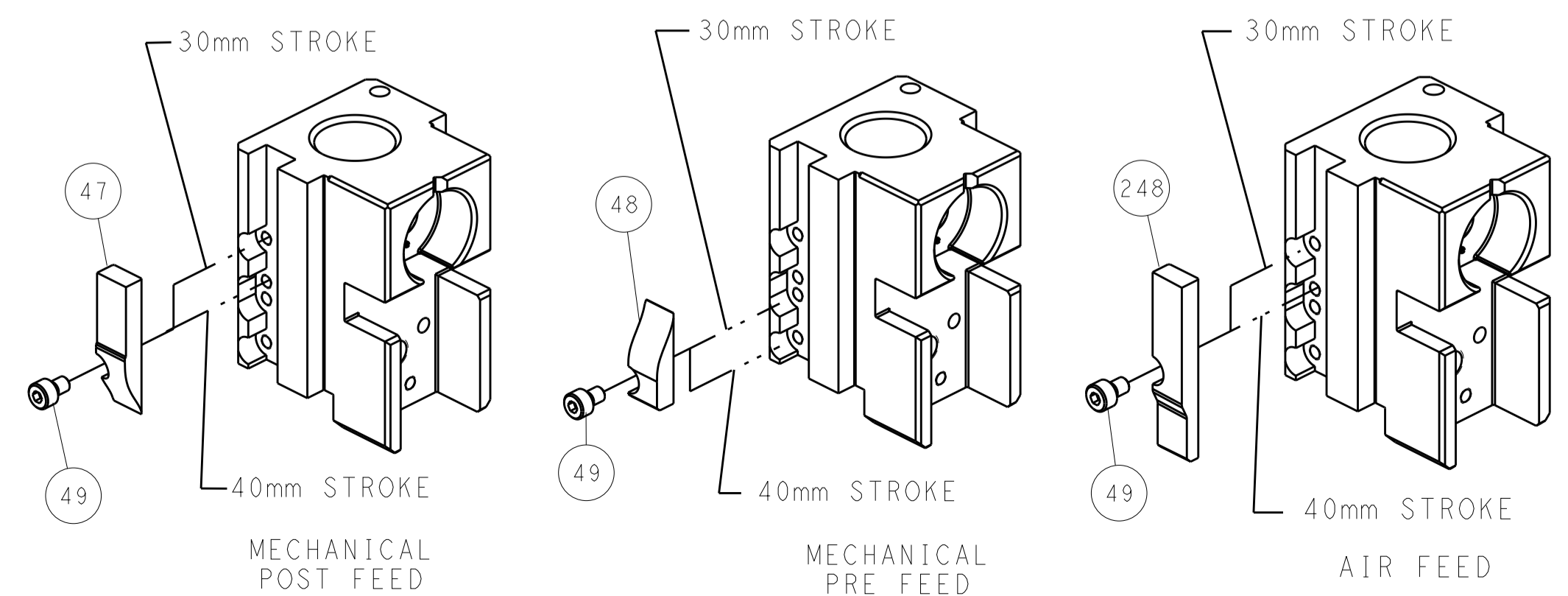


RAM SET-UP



FEED TRACK POSITION GUIDE BY INSULATION BARREL

CAM POSITIONS



ATLANTIC VERSION
 Shown on sheets 1 of 4 & 2 of 4
 (Pacific version shown on sheets 3 of 4 & 4 of 4)

DIMENSIONS:		TOLERANCES UNLESS OTHERWISE SPECIFIED:		DWN: M_HERR 13FEB2017		TE Connectivity	
mm	0 PLC ±	1 PLC ±	2 PLC ±	3 PLC ±	4 PLC ±	Harrisburg, PA 17105-3608	
MATERIAL:		FINISH:		APVD: T_ELBIN 13FEB2017		NAME: Ocean Side Feed Applicator	
				PRODUCT SPEC:		SIZE: CAGE CODE: DRAWING NO:	
				APPLICATION SPEC:		RESTRICTED TO:	
				WEIGHT:		A1 00779 C=2836629	
				Customer Accessible Production Drawing		SCALE: 1:2 SHEET 2 OF 4 REV: B1	

PART NUMBER	REVISION	DESCRIPTION	FEED TYPE
2-2836629-1	B	FINE CRIMP HEIGHT ADJUST	MECHANICAL
2-2836629-2	B	FINE CRIMP HEIGHT ADJUST	PNEUMATIC
7-2836629-7	A	CRIMP TOOLING KIT	-

PACIFIC VERSION TERMINATOR
INTERFACE ADAPTER



APPLICATOR DATA		
CRIMP	SIZE	TYPE
WIRE	1.78 mm [.070]	F
INSUL	3.50 mm [.138]	F

APPLICATOR INSTRUCTIONS
408-35042

TERMINAL DATA: LANDWIN TERMINAL TE CRIMP SPECIFICATION	
TERMINAL NAME: BOARD-IN TERMINAL	
WIRE STRIP LENGTH	INSULATION DIAMETER RANGE
4.70-5.46 mm [1.85-.215 IN]	3.40 mm [1.34 IN.] MAX
TERMINAL APPLICATION SPECIFICATION	NONE
TERMINALS APPLIED	
TE TERMINAL	LANDWIN TERMINAL
2303721-1	5250T011X

WIRE SIZE	CRIMP HEIGHT mm [INCH]	CRIMP HEIGHT REFERENCE SETTING
2 X 18 AWG	1.68 +/- 0.05 [1.066 +/- .002]	7.1
16 AWG	1.49 +/- 0.05 [1.059 +/- .002]	8.4



- 1 RECOMMENDED SPARE PARTS
- 2 REFER TO SUPPLIED INSTRUCTION SHEET FOR CLEANING, LUBRICATION AND STORAGE OF APPLICATOR.
- 3 APPLY PART NUMBER 2-23419-6 LOCTITE TO THREADS OF ITEM 242.
- 4 CRIMP HEIGHT REFERENCE SETTING WAS THE SETTING USED WHEN THE APPLICATOR WAS QUALIFIED AT THE FACTORY. ADJUSTMENT MAY BE NECESSARY WHEN RUNNING APPLICATOR IN THE FIELD.
- 5 TERMINAL LUBRICANT IS RECOMMENDED.
- 6. UNLESS SPECIFIED OTHERWISE TORQUE VALUES SHALL BE USED PER DOCUMENT, 101-35000.
- 7 MAXIMUM COMBINED INSULATION DIAMETER.

***WARNING**
ON INSTALLATION, SET WIRE DISC TO CRIMP HEIGHT REFERENCE SETTING FOR LARGEST WIRE SIZE. CRIMP HEIGHT REFERENCE SETTINGS GREATER THAN THE VALUE SHOWN MAY CAUSE DAMAGE TO THE CRIMP TOOLING. REFER TO THE INSTRUCTION SHEET FOR PROPER SETUP AND ADJUSTMENTS.

PACIFIC VERSION
Shown on sheets 3 of 4 & 4 of 4
(Atlantic version shown on sheets 1 of 4 & 2 of 4)

LOC	DIST	REV	DATE	BY	APPV
A	66	-	-	-	-

REV	DATE	BY	APPV	DESCRIPTION	ITEM NO
-	1	-	-	2119640-1 PUSH ROD, AIR FEED	250
-	1	-	-	1803259-1 BUSHING, FLANGED	249
-	1	1	-	2119082-4 CAM, SNAIL, INSULATION ADJUSTMENT	244
-	1	1	-	2079764-1 WASHER, WAVE SPRING, CREST-TO-CREST	243
-	1	1	-	2119083-1 RETAINER, INSULATION DIAL	242
-	1	1	-	7-18023-7 SCR, SKT HD CAP M3 X 4.0	241
-	-	1	-	2119580-1 MECHANICAL FEED ASSEMBLY	239
-	1	-	-	2063440-1 AIR FEED MODULE	238
-	2	-	-	21045-3 RING, RETAIN, EXTERN, 3/16 CRESCENT	172
-	REF	REF	-	994970-2 COUNTER, MAGNETIC	164
-	1	-	-	240638-1 SPRING, FEED FINGER	163
-	1	-	-	2119641-2 FEED CAM, AIR FEED	151
-	1	1	-	2168083-8 SCR, SKT HD CAP, RoHS, M4 X 16	144
-	2	2	-	2168083-9 SCR, SKT HD CAP, RoHS, M4 X 20	143
-	-	1	-	2119653-2 FEED CAM, POST FEED	142
-	1	1	-	1-1803583-0 APPLICATOR BASIC ASSEMBLY, SF	141
-	1	1	-	1803516-1 RAM ASSEMBLY, SF PACIFIC	140
-	1	-	-	3-23627-7 PIN, RETAIN, GRVD, 3/16 X .854	137
-	1	-	-	2119799-1 HOLDER, FEED FINGER, AF	136
-	1	1	-	2119955-1 ASSY, LUBRICATOR, SIDE FEED	113
-	1	1	-	2844908-1 SCREW, LOCKING	99
-	1	1	-	2844907-1 POST, LOCKING	98
-	1	1	-	455888-4 SPACER, CRIMPER	82
-	1	1	-	1803607-1 DOCUMENTATION PACKAGE	71
-	1	1	-	2119791-9 DEPRESSOR, WIRE	70
-	1	1	-	2119740-1 TAG, IDENTIFICATION	67
-	2	2	-	2168078-1 SCREW, DRIVE, RH, RoHS, 2 x .188	66
-	1	1	-	5-18022-5 SCR, HEX HD CAP, M4 X 6.0	59
-	1	1	-	1338685-1 PAWL, FEED	56
-	1	2	-	18023-9 SCR, SKT HD CAP M4 X 6.0	49
-	-	1	-	2119652-1 FEED CAM, PRE FEED	48
-	1	1	-	1803602-1 SCR, BHSC, RoHS (M8 X 25)	41
-	2	2	-	2079383-5 SCR, BHSC, RoHS (M4 X 20)	33
-	2	2	-	2-2844962-3 SPACER, CYLINDRICAL, STRIP GUIDE	30
-	1	1	-	2844992-1 ASSEMBLY, STRIP GUIDE	29
-	1	1	-	455888-5 SPACER, CRIMPER	28
-	1	1	-	1320928-2 STRIP GUIDE	24
-	1	1	-	2168083-2 SCR, SKT HD CAP, RoHS, M4 X 8.0	21
-	2	2	-	1-18028-2 WASHER, FLAT, REG M4	20
-	1	1	-	2119533-1 STRIPPER, SIDE FEED	19
-	1	1	-	2119806-1 INSERT, SHEAR	13
-	1	1	-	3-22280-3 SPRING, COMPRESSION	12
-	1	1	-	1-356885-4 STOP, SHEAR	11
-	1	1	-	2119805-1 SHEAR HOLDER, FRONT	10
-	1	1	-	1803095-6 FLOATING SHEAR, FRONT	9
-	1	1	-	1803180-4 ANVIL, COMBINATION	8
-	-	-	-	-	7
-	-	-	-	-	6
-	1	1	-	2119757-4 DEPRESSOR, SHEAR	5
-	1	1	-	4-238011-7 BLOCK, CRIMPER SPACER	4
-	1	1	-	1-1803384-1 CRIMPER, INSULATION F	3
-	1	1	-	455888-3 SPACER, CRIMPER	2
-	1	1	-	1803470-3 CRIMPER, WIRE F	1
-77	-22	-21	-	PART NO	ITEM NO

DIMENSIONS:		TOLERANCES UNLESS OTHERWISE SPECIFIED:		MATERIAL:		FINISH:	
mm	0 PLC ±	1 PLC ±	2 PLC ±	3 PLC ±	4 PLC ±	ANGLES ±	FINISH ±

OWN	JM_HERR	13FEB2017
CHK	T. ELBIN	13FEB2017
APPV	T. ELBIN	13FEB2017

NAME	Ocean Side Feed Applicator		
SIZE	CAGE CODE	DRAWING NO	RESTRICTED TO
A1	00779	2836629	-

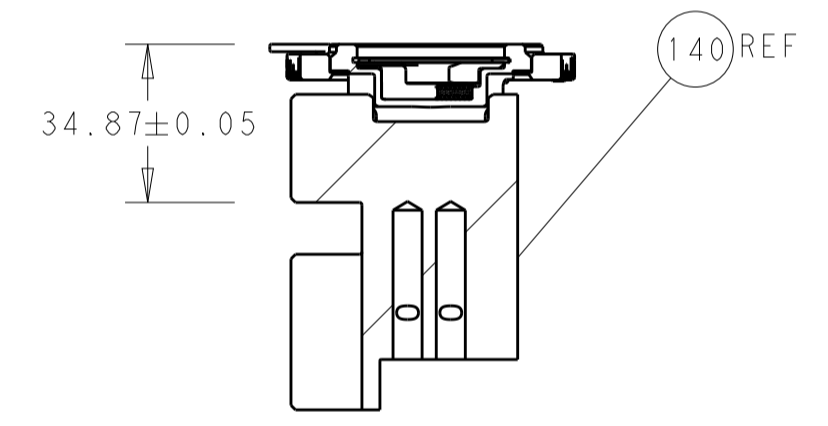
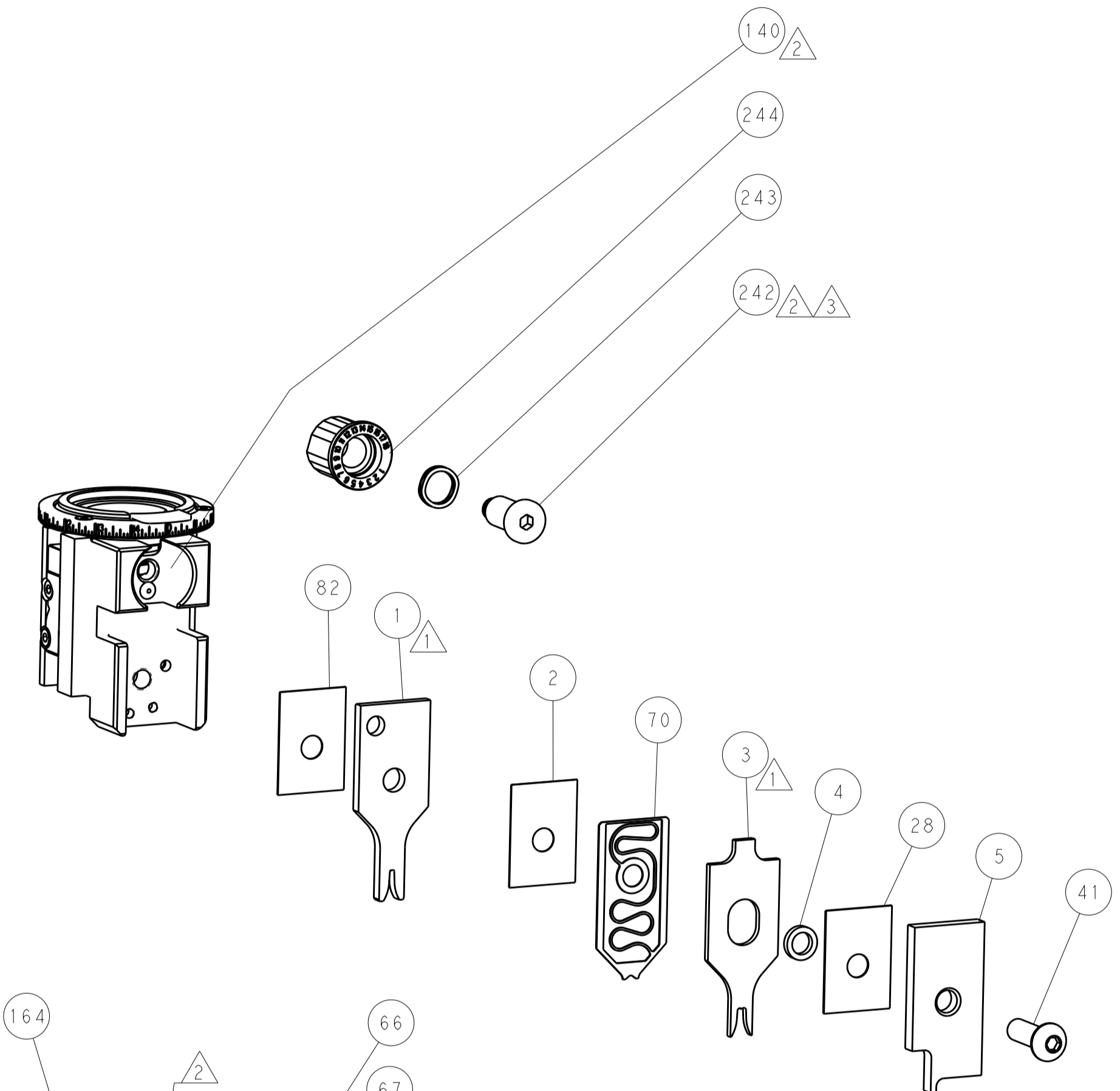
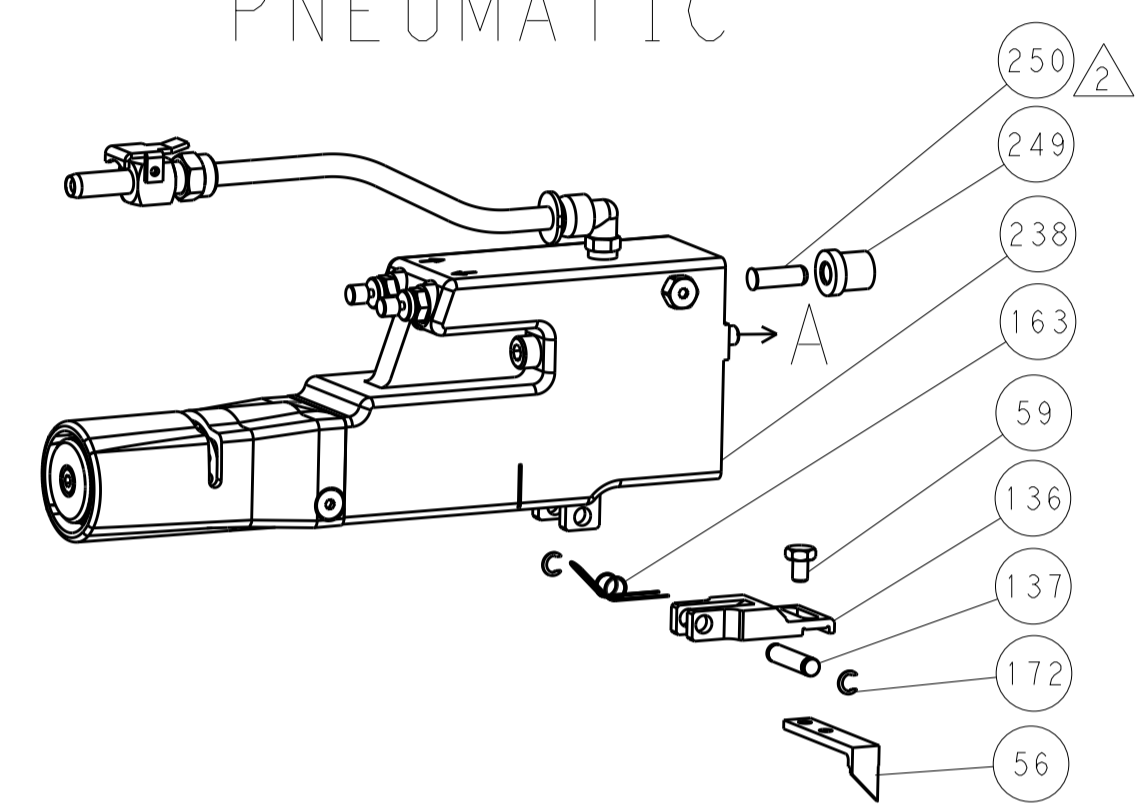
Customer Accessible Production Drawing SCALE 1:2 SHEET 3 OF 4 REV B1

LOC	DIST	REV	DATE	BY	APPV
A	66				

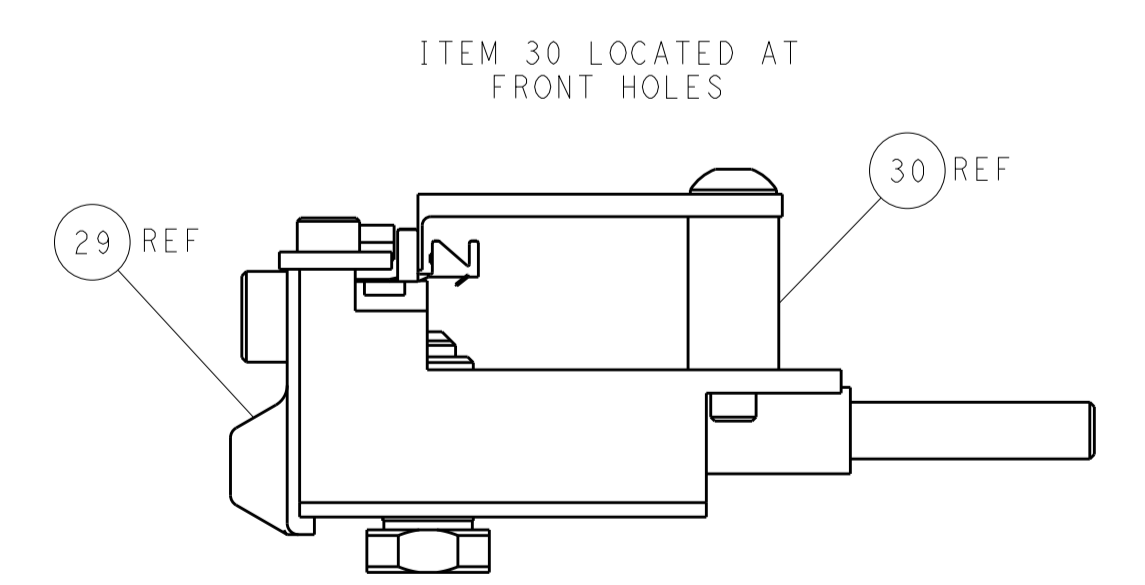
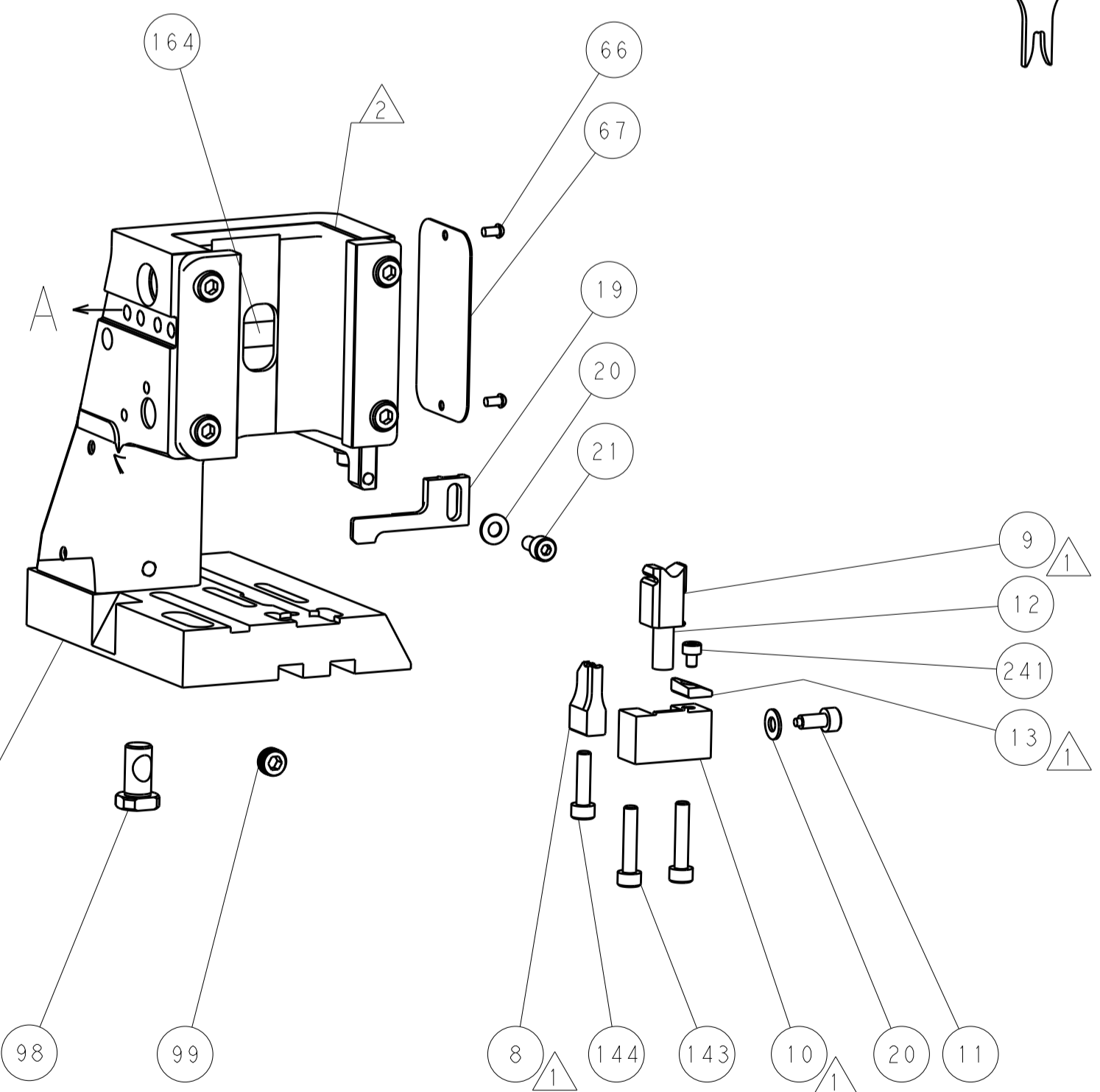
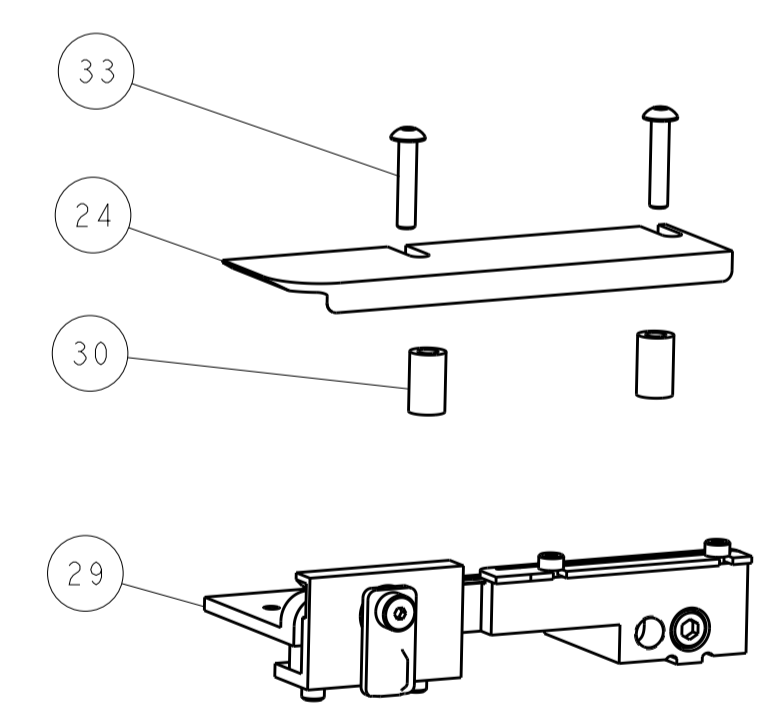
FEED TYPE MECHANICAL



PNEUMATIC

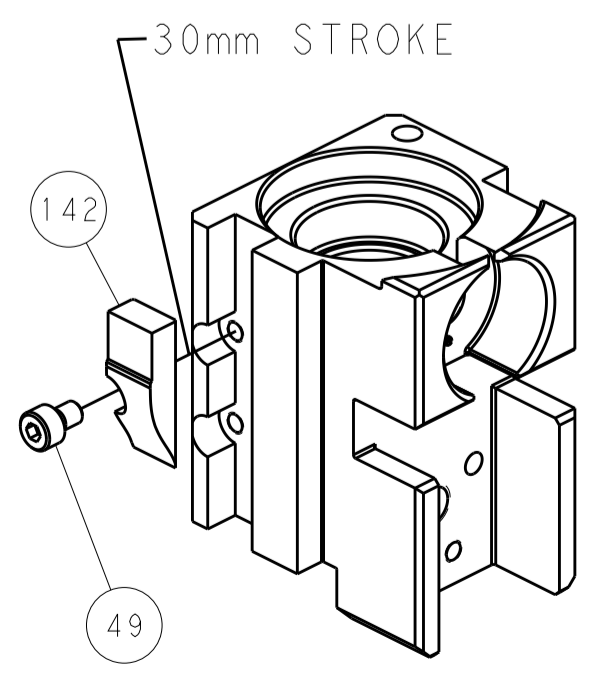


RAM SET-UP

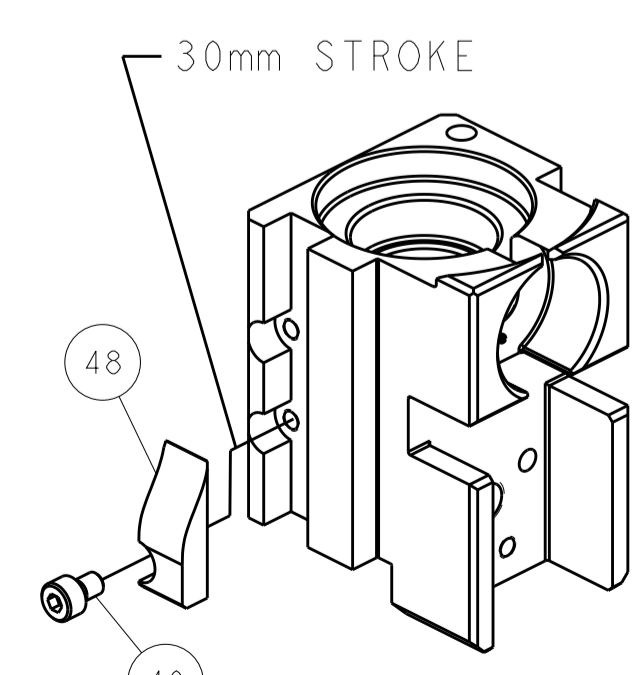


FEED TRACK POSITION
GUIDE BY INSULATION BARREL

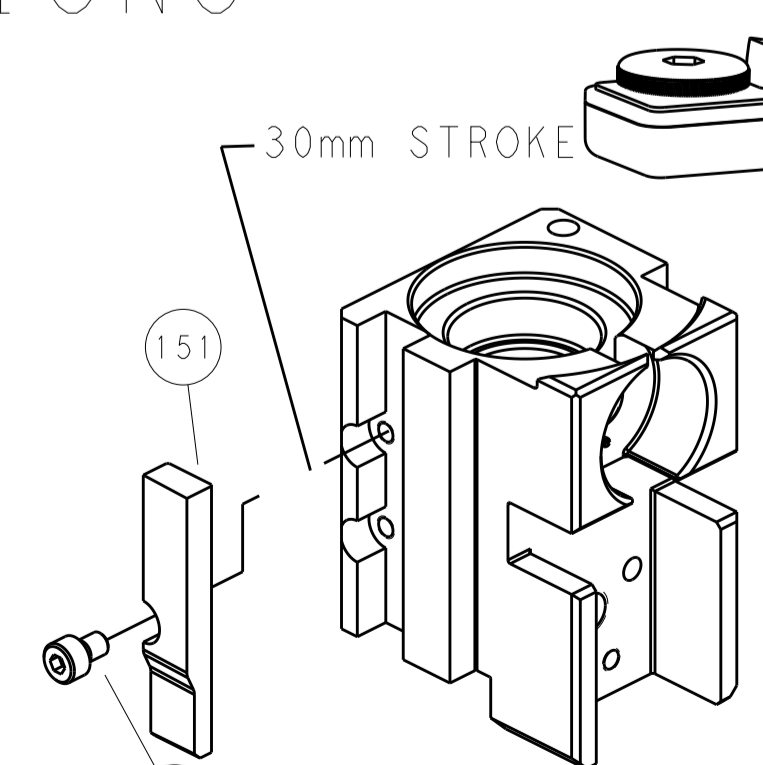
CAM POSITIONS



MECHANICAL
POST FEED



MECHANICAL
PRE FEED



AIR FEED

PACIFIC VERSION
 Shown on sheets 3 of 4 & 4 of 4
 (Atlantic version shown on sheets 1 of 4 & 2 of 4)

DIMENSIONS:		TOLERANCES UNLESS OTHERWISE SPECIFIED:		DWG: M_HERR 13FEB2017		TE Connectivity Harrisburg, PA 17105-3608	
mm	0 PLC ±	1 PLC ±	2 PLC ±	3 PLC ±	4 PLC ±	NAME	Ocean Side Feed Applicator
MATERIAL:		FINISH:		APVD: T_ELBIN 13FEB2017		SIZE: CAGE CODE: DRAWING NO: RESTRICTED TO	
				PRODUCT SPEC:		A 00779 ©=2836629	
				APPLICATION SPEC:		Customer Accessible Production Drawing	
				WEIGHT:		SCALE: 1:2 SHEET 4 OF 4 REV: B1	