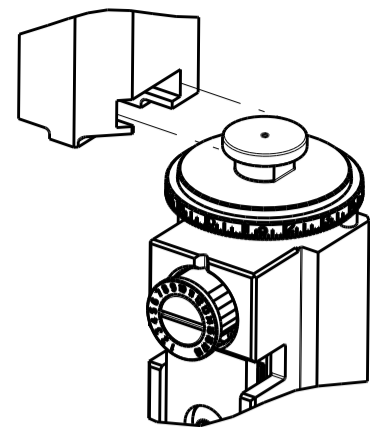


PART NUMBER	REVISION	DESCRIPTION	FEED TYPE
2836544-2	C	FINE CRIMP HEIGHT ADJUST	PNEUMATIC
7-2836544-2	C	PNEUMATIC AND CRIMP TOOLING KIT	PNEUMATIC
7-2836544-7	A	CRIMP TOOLING KIT	-

ATLANTIC VERSION TERMINATOR INTERFACE ADAPTER



APPLICATOR DATA		
CRIMP	SIZE	TYPE
WIRE	1.07 mm [.042]	F
INSUL	1.07 mm [.042]	O

APPLICATOR INSTRUCTIONS
408-35042

TERMINAL DATA: TE TERMINAL TE CRIMP SPECIFICATION			
TERMINAL NAME: MCON 050 TERMINAL			
WIRE STRIP LENGTH	INSULATION DIAMETER RANGE		
3.55-3.75mm [.139-.148 IN]	1.0-1.20mm [.039-.047 IN]		
TERMINAL APPLICATION SPECIFICATION	114-94191		
TERMINALS APPLIED			
TE TERMINAL	TE TERMINAL	TE TERMINAL	TE TERMINAL
2177909-1	2177909-3	1-2177909-1	1-2177909-2
8-2177909-3			

WIRE SIZE	CRIMP HEIGHT mm [INCH]	CRIMP HEIGHT REFERENCE SETTING
0.35mm2	0.78+/-0.02 [.031+/-0.001]	9.2
0.22mm2	0.70+/-0.02 [.028+/-0.001]	10.4

- 1. RECOMMENDED SPARE PARTS.
- 2. REFER TO SUPPLIED INSTRUCTION SHEET FOR CLEANING, LUBRICATION AND STORAGE OF APPLICATOR.
- 3. APPLY PART NUMBER 2-23419-6 LOCTITE TO THREADS OF ITEM 242.
- 4. CRIMP HEIGHT REFERENCE SETTING WAS THE SETTING USED WHEN THE APPLICATOR WAS QUALIFIED AT THE FACTORY. ADJUSTMENT MAY BE NECESSARY WHEN RUNNING APPLICATOR IN THE FIELD.
- 5. TERMINAL PITCH NOT COMPATIBLE WITH MECHANICAL FEED.
- 6. UNLESS SPECIFIED OTHERWISE TORQUE VALUES SHALL BE USED PER DOCUMENT, 101-35000.

***WARNING**
ON INSTALLATION, SET WIRE DISC TO CRIMP HEIGHT REFERENCE SETTING FOR LARGEST WIRE SIZE. CRIMP HEIGHT REFERENCE SETTINGS GREATER THAN THE VALUE SHOWN MAY CAUSE DAMAGE TO THE CRIMP TOOLING, REFER TO THE INSTRUCTION SHEET FOR PROPER SETUP AND ADJUSTMENTS.

ATLANTIC VERSION
Shown on sheets 1 of 4 & 2 of 4
(Pacific version shown on sheets 3 of 4 & 4 of 4)

LOC	DIST	REVISIONS			
A	66	REV	DATE	BY	APPD
		A	RELEASE		11NOV2016 MZ KZ
		B	ECR-18-007521		17MAY2018 FL JD
		C	ECR-19-005937		12APR2019 FJ TE

-	1	1	2119641-1	FEED CAM, AIR FEED	248
-	1	1	2119082-3	CAM, SNAIL, INSULATION ADJUSTMENT	244
-	1	1	2079764-1	WASHER, WAVE SPRING, CREST-TO-CREST	243
-	1	1	2119083-1	RETAINER, INSULATION DIAL	242
-	1	1	2844940-1	AIR FEED MODULE	238
-	REF	REF	994970-2	COUNTER, MAGNETIC	164
-	1	1	1-22281-8	SPRING, COMPRESSION	121
-	1	1	1-18028-2	WASHER, FLAT, REG M4	119
-	1	1	2844908-1	SCREW, LOCKING	99
-	1	1	2844907-1	POST, LOCKING	98
-	1	1	2168083-6	SCR, SKT HD CAP, RoHS, M5 X 65	97
-	2	2	2168083-1	SCR, SKT HD CAP, RoHS, M3 X 8.0	96
-	1	1	1-690438-0	FRONT STRIP GUIDE	95
-	1	1	455888-4	SPACER, CRIMPER	82
-	1	1	5-547505-2	SPRING, COMPRESSION	77
-	1	1	1803205-1	INSULATION HOLDER	74
-	1	1	1803607-3	DOCUMENTATION PACKAGE	71
-	1	1	2119740-1	TAG, IDENTIFICATION	67
-	2	2	2168078-1	SCREW, DRIVE, RH, RoHS, 2 x .188	66
-	1	1	2168083-2	SCR, SKT HD CAP, RoHS, M4 X 8.0	60
-	1	1	5-18022-5	SCR, HEX HD CAP, M4 X 6.0	59
-	1	1	21028-2	PIN, SLOTTED SPRING .062 X .250	58
-	1	1	1338685-1	PAWL, FEED	56
-	4	4	2168083-3	SCR, SKT HD CAP, RoHS, M4 X 12.0	54
-	2	2	2168083-8	SCR, SKT HD CAP, RoHS, M4 X 16	53
-	1	1	5018030-1	NUT, HEX, REG, RoHS, M3	52
-	1	1	811242-5	BUMPER, HOLD DOWN	51
-	1	1	690753-2	SPACER, TONKER	50
-	1	1	18023-9	SCR, SKT HD CAP M4 X 6.0	49
-	1	1	1803583-9	APPLICATOR BASIC ASSEMBLY, SF	46
-	1	1	1803515-1	RAM ASSEMBLY, SF ATLANTIC	44
-	1	1	1803602-1	SCR, BHSC, RoHS (M8 X 25)	41
-	1	1	2-18032-5	SCR, SET, FLT PNT, M5 X 20.0	36
-	1	1	1752356-6	SUPPORT, TERMINAL	34
-	2	2	2079383-5	SCR, BHSC, RoHS (M4 X 20)	33
-	1	1	2-1722335-1	THREAD BOLT GEWINDEBOLZEN	31
-	2	2	2-2844962-3	SPACER, CYLINDRICAL, STRIP GUIDE	30
-	1	1	2844938-1	PLATE, STRIP GUIDE	29
-	1	1	455888-3	SPACER, CRIMPER	28
-	2	2	22283-1	SPRING, COMPRESSION	27
-	1	1	356835-1	LEVER, DRAG RELEASE	26
-	1	1	1803142-1	DRAG, TERMINAL	25
-	1	1	1320928-2	STRIP GUIDE	24
-	1	1	980371-4	SCR, SKT HD SHLDR 5.0 DIA X 6.0	23
-	1	1	2168083-2	SCR, SKT HD CAP, RoHS, M4 X 8.0	21
-	1	1	1-18028-2	WASHER, FLAT, REG M4	20
-	1	1	2119533-1	STRIPPER, SIDE FEED	19
-	1	1	3-22280-3	SPRING, COMPRESSION	12
-	1	1	2-519000-1	SCR, SKT HD CAP M4 X 10.0	11
-	1	1	2119805-1	SHEAR HOLDER, FRONT	10
-	1	1	1803095-7	FLOATING SHEAR, FRONT	9
-	1	2	1-1633620-2	ANVIL, COMBINATION	8
-	1	1	240641-1	SPACER	7
-	-	-	-	-	6
-	1	1	1803140-1	DEPRESSOR, SHEAR	5
-	1	1	5-238011-7	BLOCK, CRIMPER SPACER	4
-	1	2	1803143-2	CRIMPER, INSULATION O	3
-	-	-	-	-	2
-	1	2	2-1333281-7	CRIMPER, WIRE PREMIUM	1
-	77	72	-2	PART NO	ITEM NO

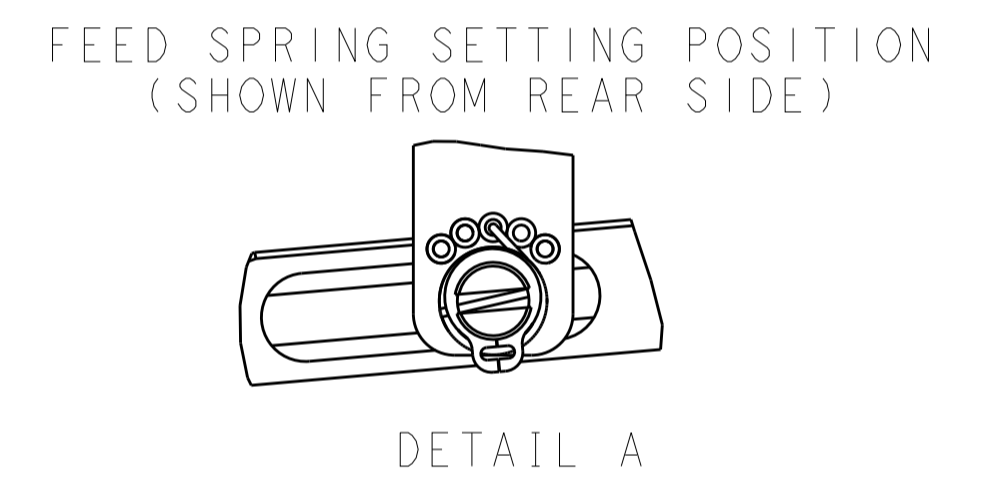
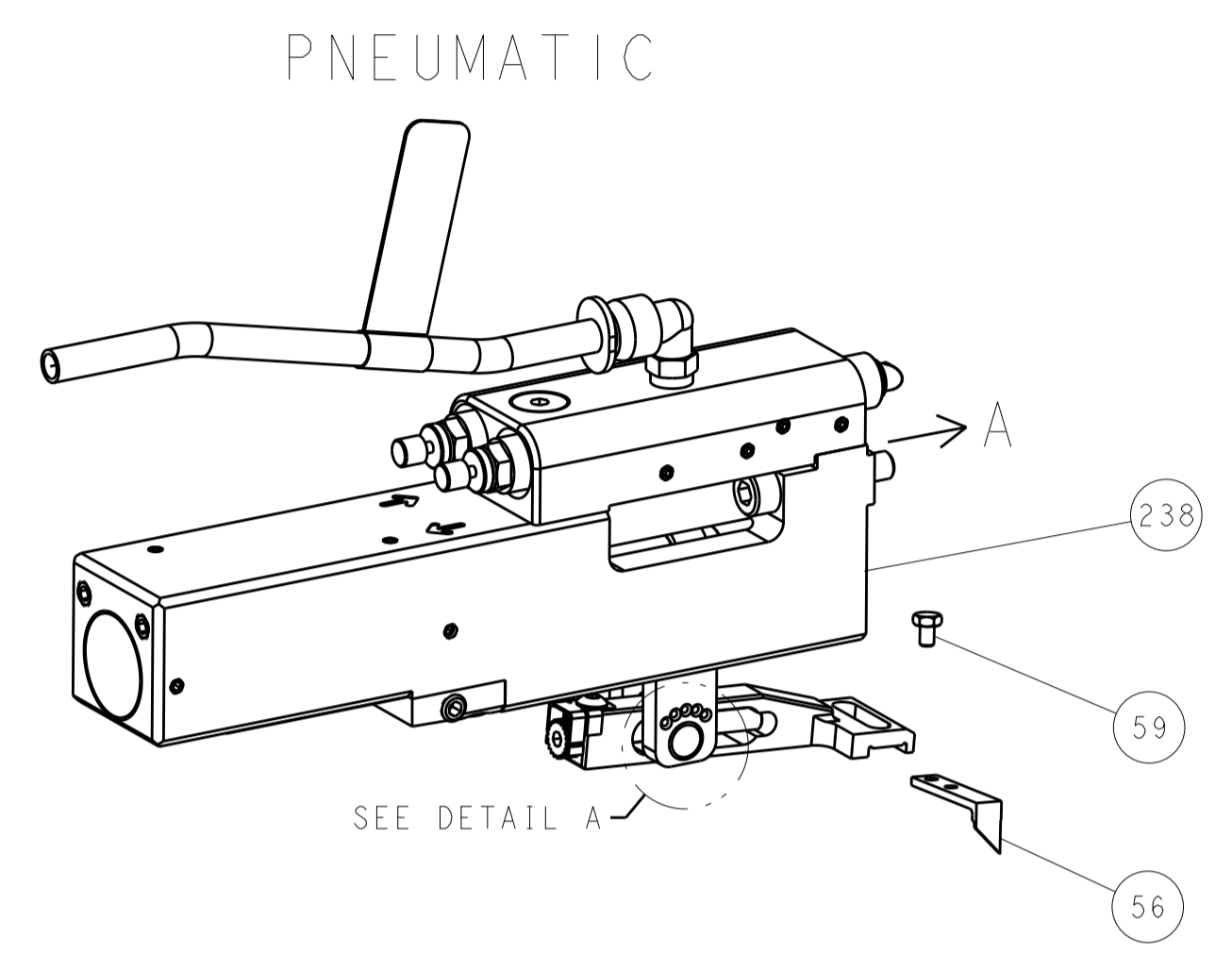
DIMENSIONS:		TOLERANCES UNLESS OTHERWISE SPECIFIED:		MATERIAL:		FINISH:		WEIGHT:		SCALE:		SHEET:		REV:	
mm	0 PLC ±	1 PLC ±	2 PLC ±	3 PLC ±	4 PLC ±	ANGLES	FINISH			A1	00779	1	4	C	

CHK	DATE	DESCRIPTION
M. ZHAO	11NOV2016	TE Connectivity
K. ZHANG	11NOV2016	Harrisburg, PA 17105-3608
K. ZHANG	11NOV2016	NAME

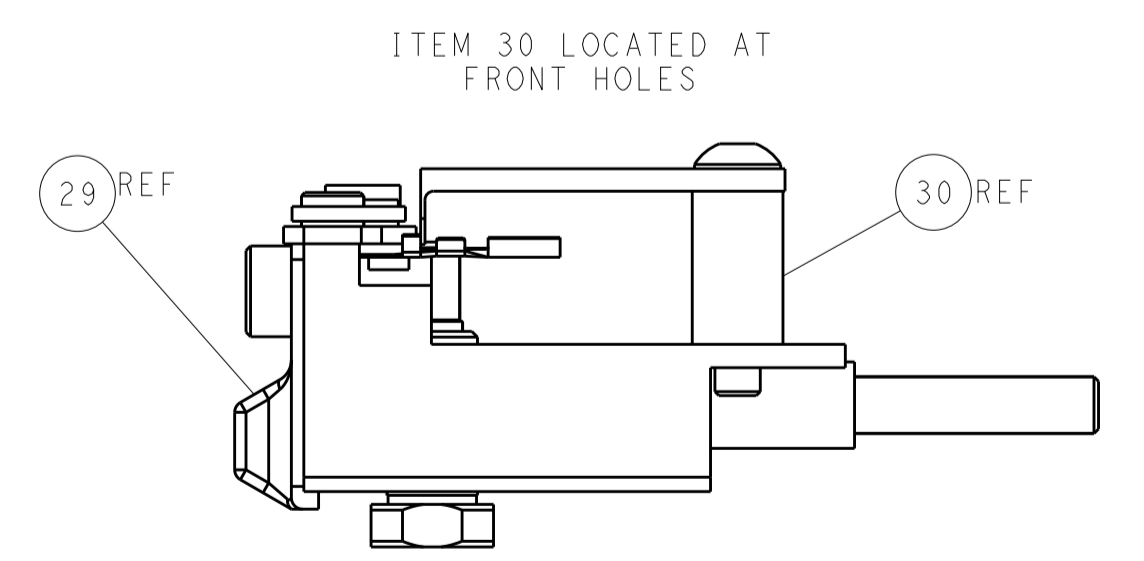
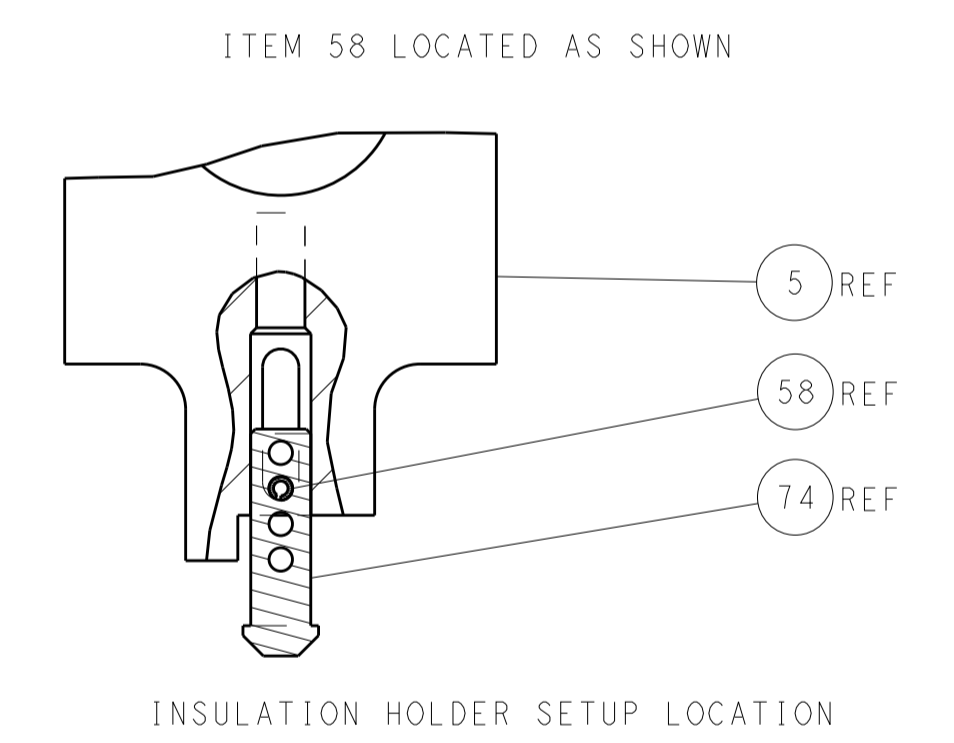
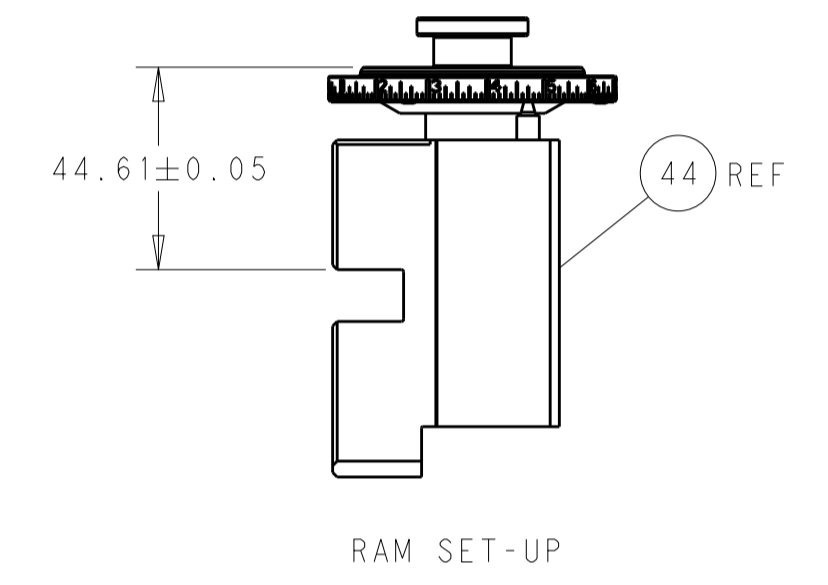
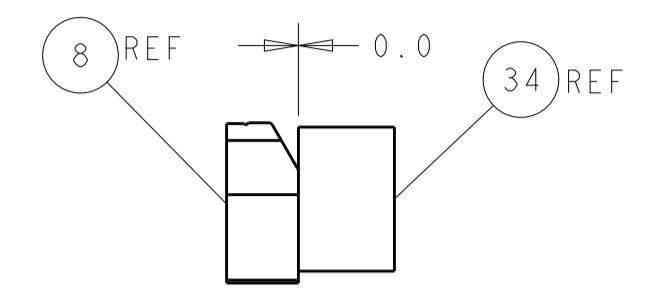
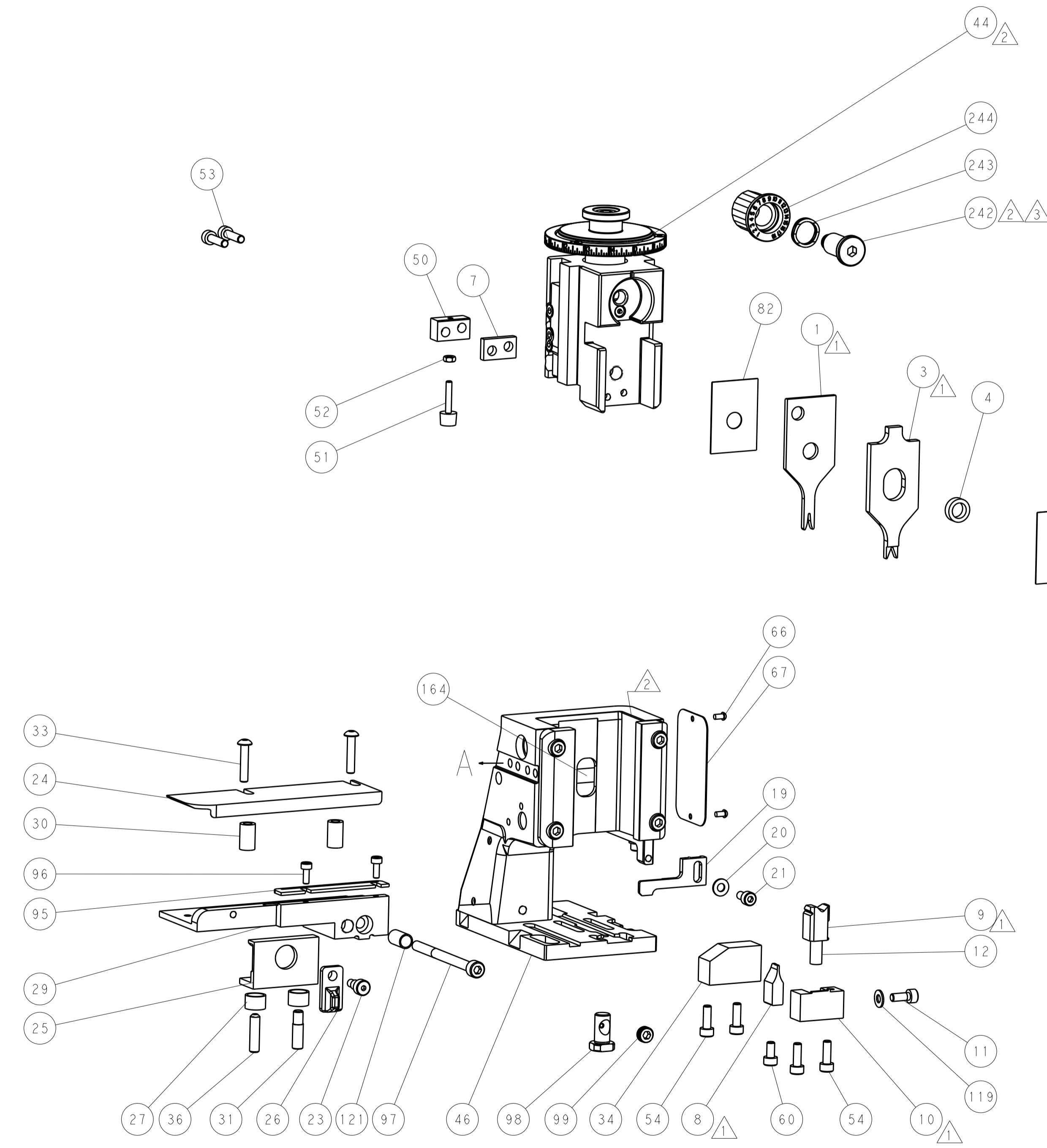
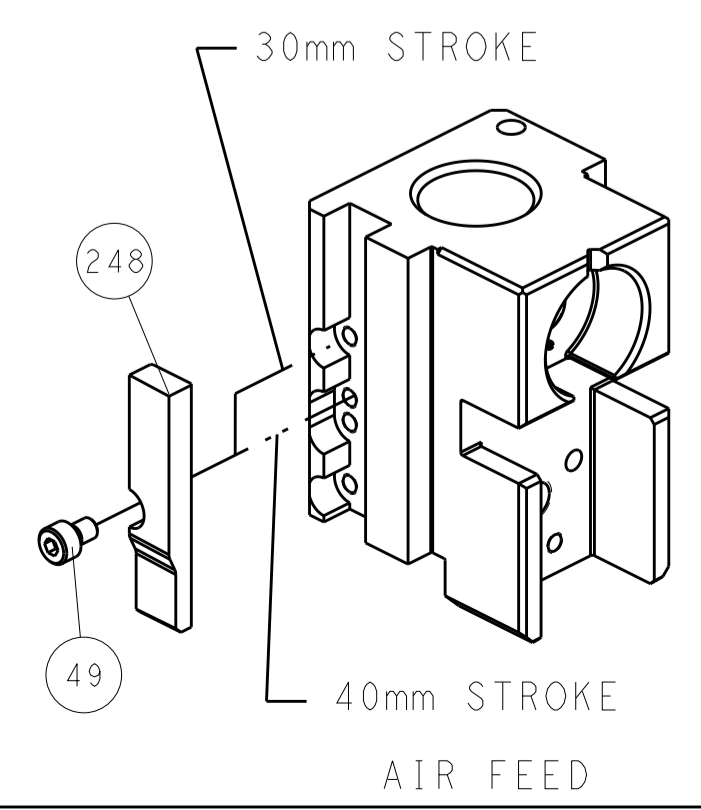
SIZE	CAGE CODE	DRAWING NO	RESTRICTED TO
A1	00779	2836544	

LOC	DIST	REV	DATE	BY	APPD
A	66				

FEED TYPE



CAM POSITION

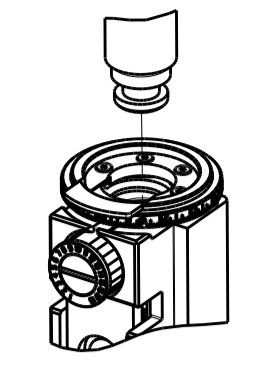


ATLANTIC VERSION
 Shown on sheets 1 of 4 & 2 of 4
 (Pacific version shown on sheets 3 of 4 & 4 of 4)

<small>THE INFORMATION CONTAINED HEREON IS UNCLASSIFIED EXCEPT WHERE SHOWN OTHERWISE. IT IS THE PROPERTY OF TYCO ELECTRONICS CORPORATION AND IS TO BE CONTROLLED AND DISTRIBUTED ACCORDING TO THE POLICY OF TYCO ELECTRONICS CORPORATION. IT IS TO BE CONTROLLED FOR THE LATEST VERSION.</small>		DWN: M. ZHAO 11NOV2016 CHK: K. ZHANG 11NOV2016 APVD: K. ZHANG 11NOV2016	TE Connectivity Harrisburg, PA 17105-3608
DIMENSIONS: mm TOLERANCES UNLESS OTHERWISE SPECIFIED: 0 PLC ± 1 PLC ± 2 PLC ± 3 PLC ± 4 PLC ± ANGLES ±		NAME: Ocean Side Feed Applicator PRODUCT SPEC: APPLICATION SPEC: SIZE: A1 CAGE CODE: 00779 DRAWING NO: 2836544	RESTRICTED TO:
MATERIAL: FINISH:		WEIGHT: SCALE: 1:2 SHEET 2 OF 4 REV C	Customer Accessible Production Drawing

PART NUMBER	REVISION	DESCRIPTION	FEED TYPE
2-2836544-2	C	FINE CRIMP HEIGHT ADJUST	PNEUMATIC
7-2836544-7	A	CRIMP TOOLING KIT	-

PACIFIC VERSION TERMINATOR
 INTERFACE ADAPTER



APPLICATOR DATA		
CRIMP	SIZE	TYPE
WIRE	1.07 mm [.042]	F
INSUL	1.07 mm [.042]	Ø
APPLICATOR INSTRUCTIONS 408-35042		

TERMINAL DATA: TE TERMINAL		TE CRIMP SPECIFICATION	
TERMINAL NAME: MCON 050 TERMINAL			
WIRE STRIP LENGTH		INSULATION DIAMETER RANGE	
3.55-3.75mm [.139-.148 IN]		Ø 1.0-1.20mm [.039-.047 IN]	
TERMINAL APPLICATION SPECIFICATION		114-94191	
TERMINALS APPLIED			
TE TERMINAL	TE TERMINAL	TE TERMINAL	TE TERMINAL
2177909-1	2177909-3	1-2177909-1	1-2177909-2
8-2177909-3			

WIRE SIZE	CRIMP HEIGHT mm [INCH]	CRIMP HEIGHT REFERENCE SETTING
0.35mm2	0.78+/-0.02 [.031+/-0.001]	9.2
0.22mm2	0.70+/-0.02 [.028+/-0.001]	10.4



- RECOMMENDED SPARE PARTS.
- REFER TO SUPPLIED INSTRUCTION SHEET FOR CLEANING, LUBRICATION AND STORAGE OF APPLICATOR.
- APPLY PART NUMBER 2-23419-6 LOCTITE TO THREADS OF ITEM 242.
- CRIMP HEIGHT REFERENCE SETTING WAS THE SETTING USED WHEN THE APPLICATOR WAS QUALIFIED AT THE FACTORY. ADJUSTMENT MAY BE NECESSARY WHEN RUNNING APPLICATOR IN THE FIELD.
- TERMINAL PITCH NOT COMPATIBLE WITH MECHANICAL FEED.
- 6. UNLESS SPECIFIED OTHERWISE TORQUE VALUES SHALL BE USED PER DOCUMENT, 101-35000.

***WARNING**
 ON INSTALLATION, SET WIRE DISC TO CRIMP HEIGHT REFERENCE SETTING FOR LARGEST WIRE SIZE. CRIMP HEIGHT REFERENCE SETTINGS GREATER THAN THE VALUE SHOWN MAY CAUSE DAMAGE TO THE CRIMP TOOLING, REFER TO THE INSTRUCTION SHEET FOR PROPER SETUP AND ADJUSTMENTS.

PACIFIC VERSION
 Shown on sheets 3 of 4 & 4 of 4
 (Atlantic version shown on sheets 1 of 4 & 2 of 4)

LOC	DIST	REVISIONS					
A	66	P	LTN	DESCRIPTION	DATE	OWN	APVD
		-	-	SEE SHEET 1	-	-	-

-	1	2119082-3	CAM, SNAIL, INSULATION ADJUSTMENT	244
-	1	2079764-1	WASHER, WAVE SPRING, CREST-TO-CREST	243
-	1	2119083-1	RETAINER, INSULATION DIAL	242
-	1	2844940-1	AIR FEED MODULE	238
-	REF	994970-2	COUNTER, MAGNETIC	164
-	1	2119641-2	FEED CAM, AIR FEED	151
-	1	2168083-8	SCR, SKT HD CAP, RoHS, M4 X 16	144
-	4	2168083-9	SCR, SKT HD CAP, RoHS, M4 X 20	143
-	1	1-1803583-0	APPLICATOR BASIC ASSEMBLY, SF	141
-	1	1803516-1	RAM ASSEMBLY, SF PACIFIC	140
-	1	1-22281-8	SPRING, COMPRESSION	121
-	1	1-18028-2	WASHER, FLAT, REG M4	119
-	1	2844908-1	SCREW, LOCKING	99
-	1	2844907-1	POST, LOCKING	98
-	1	2168083-6	SCR, SKT HD CAP, RoHS, M5 X 65	97
-	2	2168083-1	SCR, SKT HD CAP, RoHS, M3 X 8.0	96
-	1	1-690438-0	FRONT STRIP GUIDE	95
-	1	455888-4	SPACER, CRIMPER	82
-	1	5-547505-2	SPRING, COMPRESSION	77
-	1	1803205-1	INSULATION HOLDER	74
-	1	1803607-3	DOCUMENTATION PACKAGE	71
-	1	2119740-1	TAG IDENTIFICATION	67
-	2	2168078-1	SCREW, DRIVE, RH, RoHS, 2 x .188	66
-	1	5-18022-5	SCR, HEX HD CAP, M4 X 6.0	59
-	1	21028-2	PIN, SLOTTED SPRING .062 X .250	58
-	1	1338685-1	PAWL, FEED	56
-	2	2168083-8	SCR, SKT HD CAP, RoHS, M4 X 16	53
-	1	5018030-1	NUT, HEX, REG, RoHS, M3	52
-	1	811242-5	BUMPER, HOLD DOWN	51
-	1	690753-2	SPACER, TONKER	50
-	1	18023-9	SCR, SKT HD CAP M4 X 6.0	49
-	1	1803602-1	SCR, BHSC, RoHS (M8 X 25)	41
-	1	2-18032-5	SCR, SET, FLT PNT, M5 X 20.0	36
-	1	1752356-6	SUPPORT, TERMINAL	34
-	2	2079383-5	SCR, BHSC, RoHS (M4 X 20)	33
-	1	2-1722335-1	THREAD BOLT GEWINDEBOLZEN	31
-	2	2-2844962-3	SPACER, CYLINDRICAL, STRIP GUIDE	30
-	1	2844938-1	PLATE, STRIP GUIDE	29
-	1	455888-3	SPACER, CRIMPER	28
-	2	22283-1	SPRING, COMPRESSION	27
-	1	356835-1	LEVER, DRAG RELEASE	26
-	1	1803142-1	DRAG, TERMINAL	25
-	1	1320928-2	STRIP GUIDE	24
-	1	980371-4	SCR, SKT HD SHLDR 5.0 DIA X 6.0	23
-	1	2168083-2	SCR, SKT HD CAP, RoHS, M4 X 8.0	21
-	1	1-18028-2	WASHER, FLAT, REG M4	20
-	1	2119533-1	STRIPPER, SIDE FEED	19
-	1	3-22280-3	SPRING, COMPRESSION	12
-	1	2-519000-1	SCR, SKT HD CAP M4 X 10.0	11
-	1	2119805-1	SHEAR HOLDER, FRONT	10
-	1	1803095-7	FLOATING SHEAR, FRONT	9
-	1	1-1633620-2	ANVIL, COMBINATION	8
-	1	240641-1	SPACER	7
-	-	-	-	6
-	1	1803140-1	DEPRESSOR, SHEAR	5
-	1	5-238011-7	BLOCK, CRIMPER SPACER	4
-	1	1803143-2	CRIMPER, INSULATION Ø	3
-	-	-	-	2
-	1	2-1333281-7	CRIMPER, WIRE PREMIUM	1
-	-	-	-	0

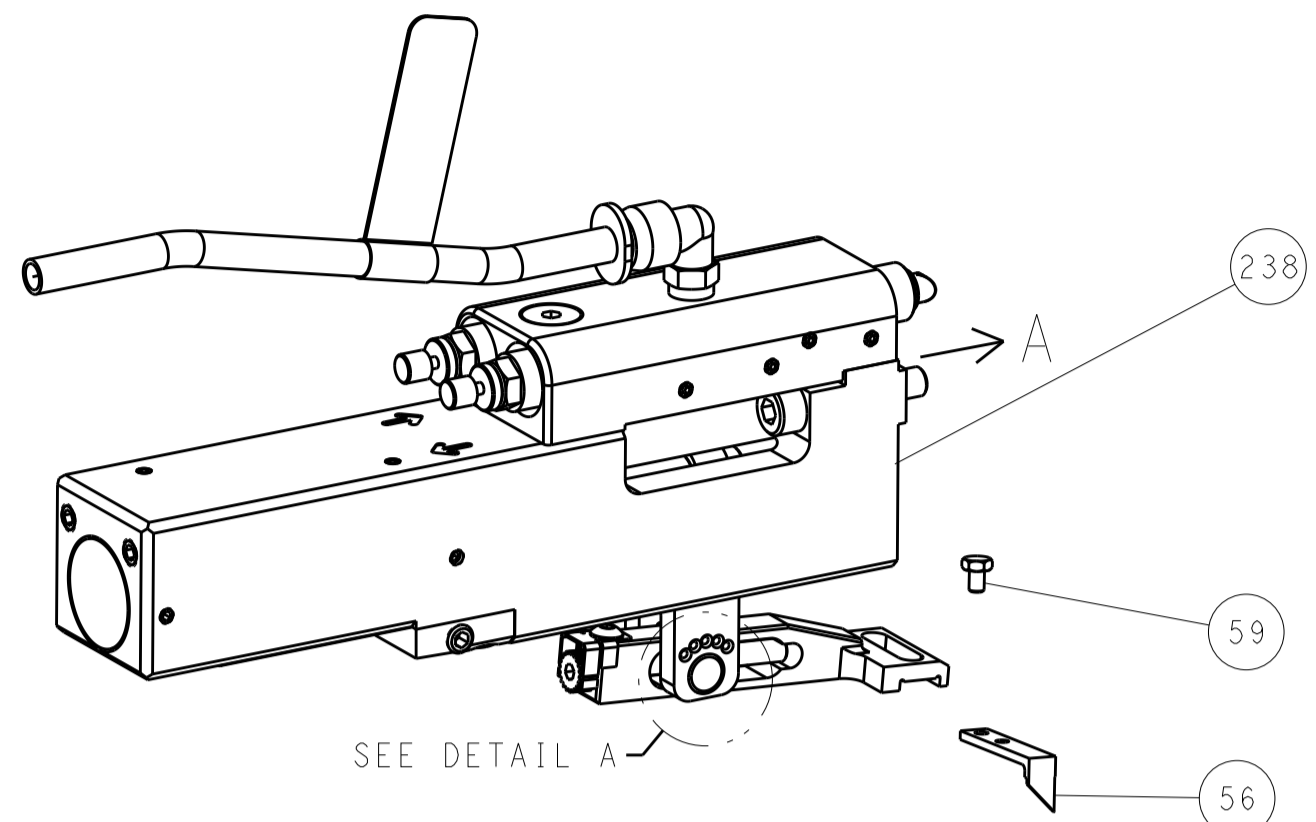
DIMENSIONS:		TOLERANCES UNLESS OTHERWISE SPECIFIED:		DRAWING NO		RESTRICTED TO	
mm	0 PLC ±	1 PLC ±	2 PLC ±	3 PLC ±	4 PLC ±	ANGLES ±	FINISH
MATERIAL				WEIGHT		SCALE	
-				-		1:2	

OWN	JM ZHAO	11NOV2016	TE Connectivity Harrisburg, PA 17105-3608				
CHK	K. ZHANG	11NOV2016					
APVD	K. ZHANG	11NOV2016					
NAME	Ocean Side Feed Applicator						
PRODUCT SPEC	-		SIZE	CAGE CODE	DRAWING NO	RESTRICTED TO	
APPLICATION SPEC	-		A1	00779	2836544	-	
Customer Accessible Production Drawing				SCALE	SHEET	3 OF 4	REV
				1:2			C

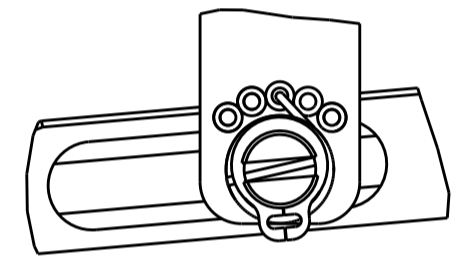
LOC		DIST		REVISIONS			
A	66	P	LTM	DESCRIPTION	DATE	DMN	APVD
-	-	-	-	SEE SHEET 1	-	-	-

FEED TYPE

PNEUMATIC

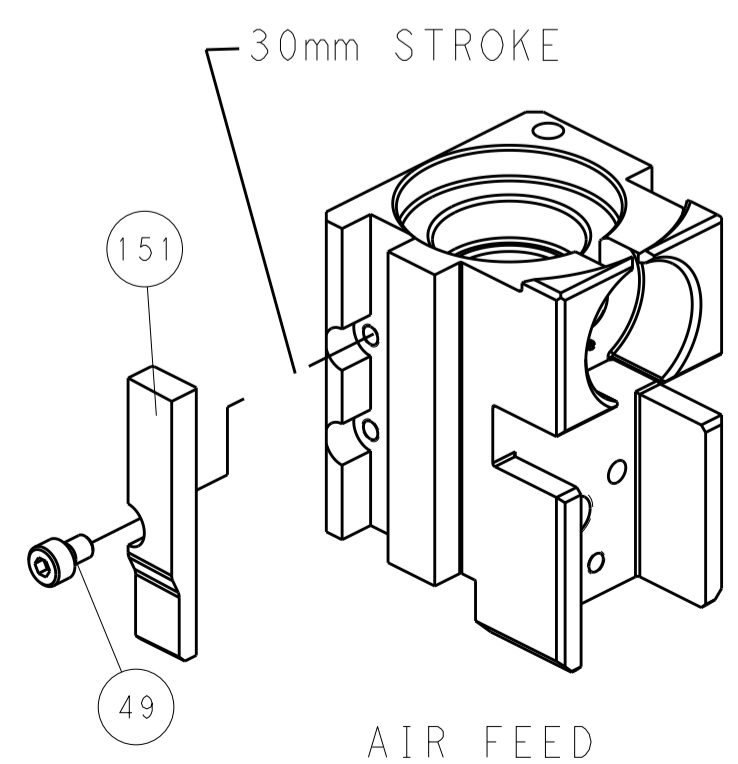


FEED SPRING SETTING POSITION (SHOWN FROM REAR SIDE)

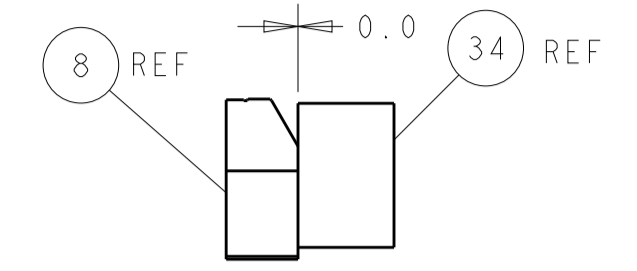
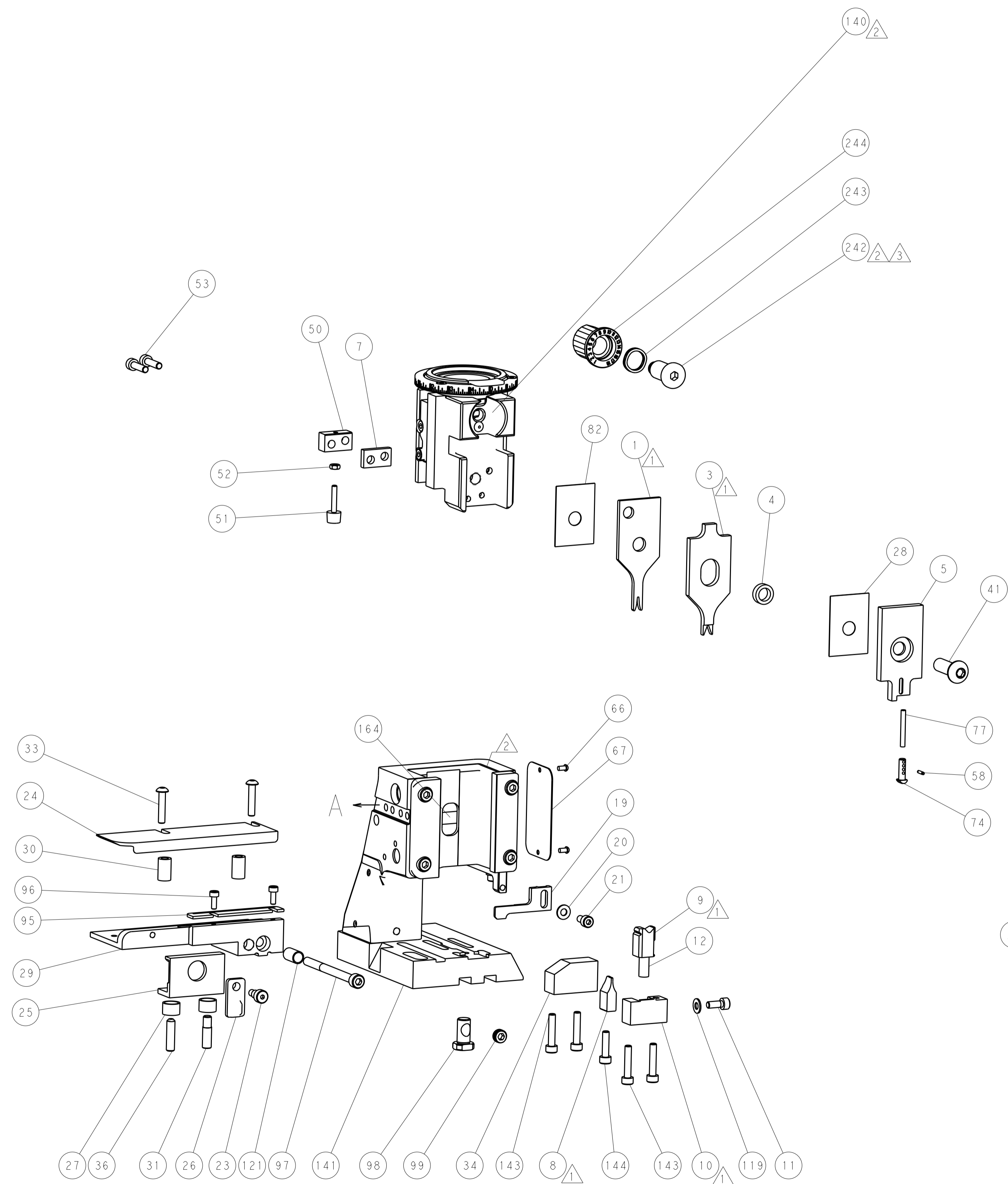


DETAIL A

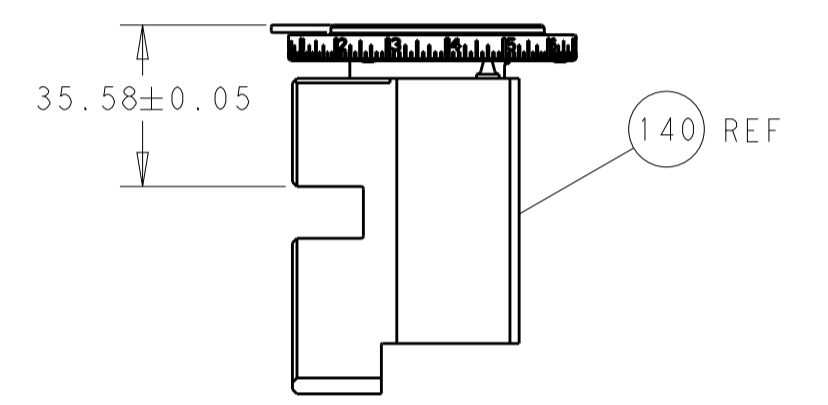
CAM POSITION



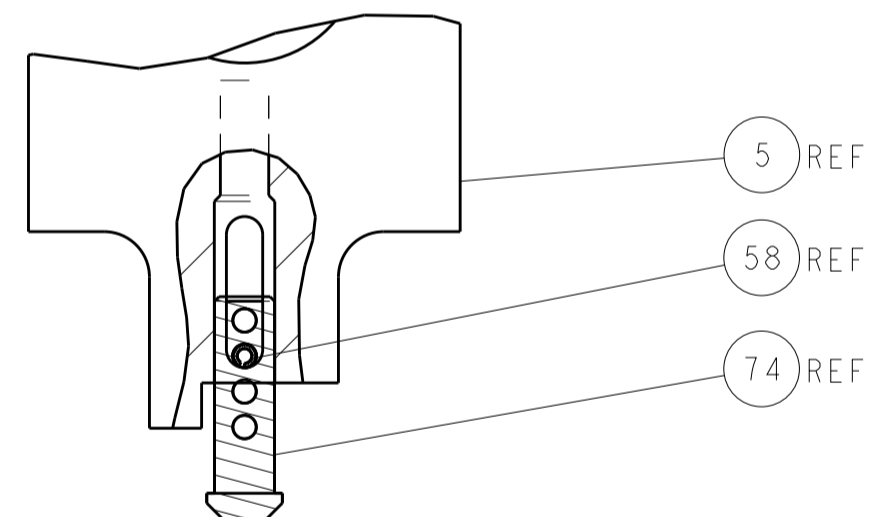
AIR FEED



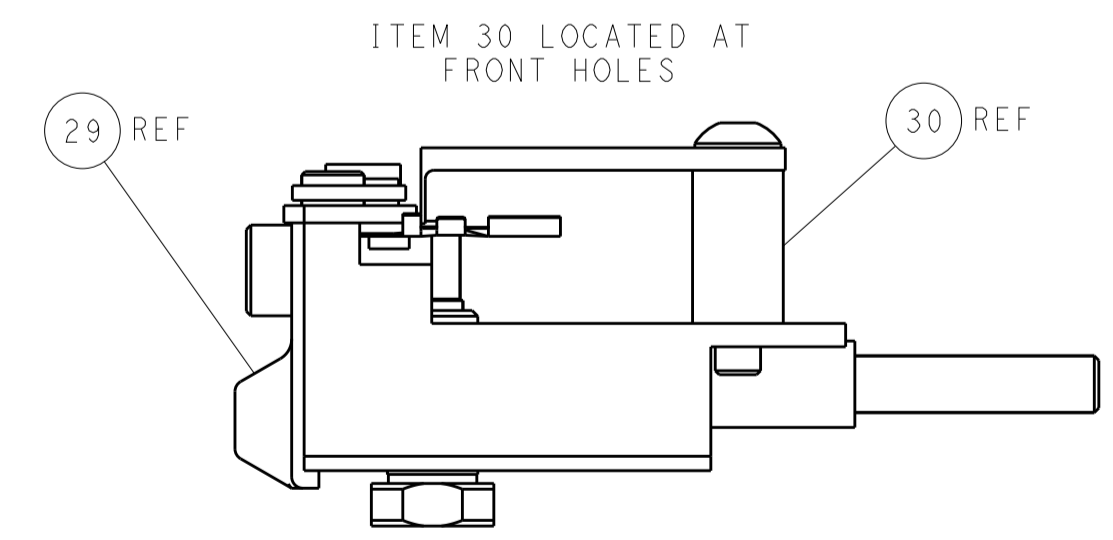
TERMINAL SUPPORT LOCATION



RAM SET-UP



INSULATION HOLDER SETUP LOCATION



FEED TRACK POSITION GUIDE BY INSULATION BARREL

PACIFIC VERSION
 Shown on sheets 3 of 4 & 4 of 4
 (Atlantic version shown on sheets 1 of 4 & 2 of 4)

DIMENSIONS:		TOLERANCES UNLESS OTHERWISE SPECIFIED:		DMN	M. ZHAO	11NOV2016	TE Connectivity Harrisburg, PA 17105-3608
mm	0 PLC ±	1 PLC ±	2 PLC ±	3 PLC ±	4 PLC ±	APVD	
MATERIAL:		FINISH:		CHK	K. ZHANG	11NOV2016	NAME
				PRODUCT SPEC		Ocean Side Feed Applicator	
				APPLICATION SPEC		SIZE	
				WEIGHT		CAGE CODE	
				A1 00779		DRAWING NO	
				Customer Accessible Production Drawing		RESTRICTED TO	
				SCALE		SHEET	
				1:2		4 OF 4	
						REV	
						C	