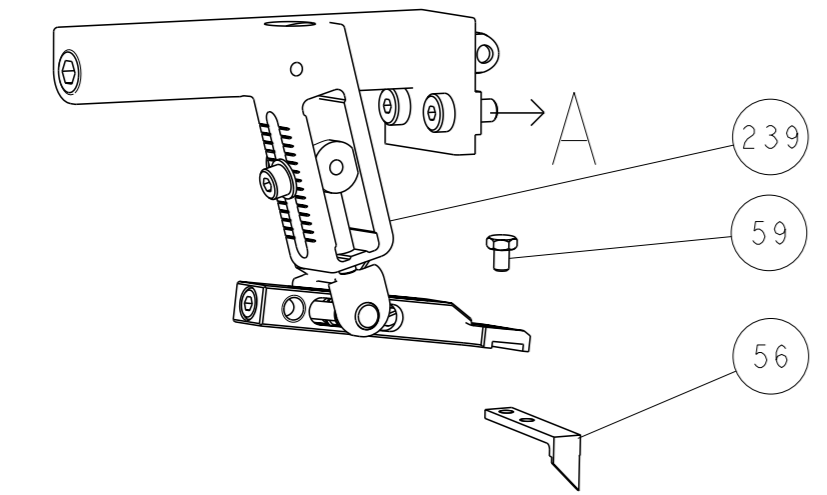


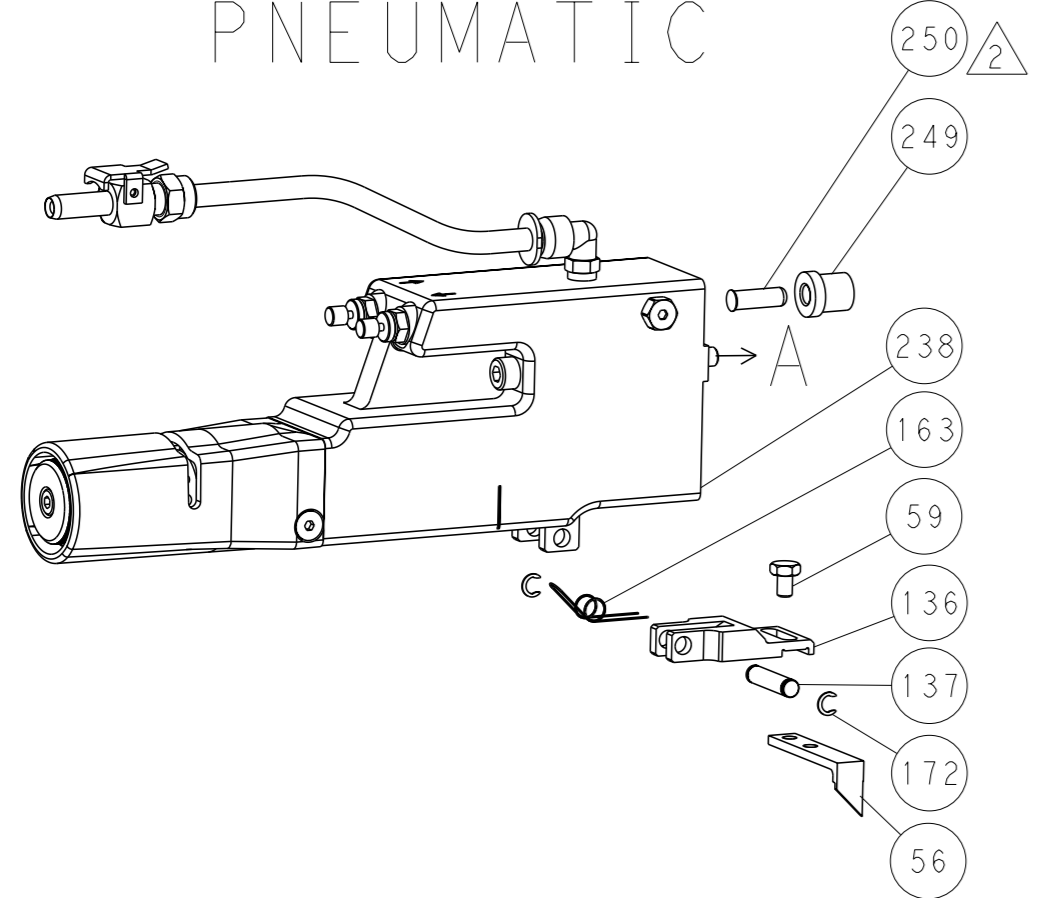


LOC	DIST	REVISIONS			
A	66	REV	DATE	OWN	APVD
-	-	SEE SHEET 1	-	-	-

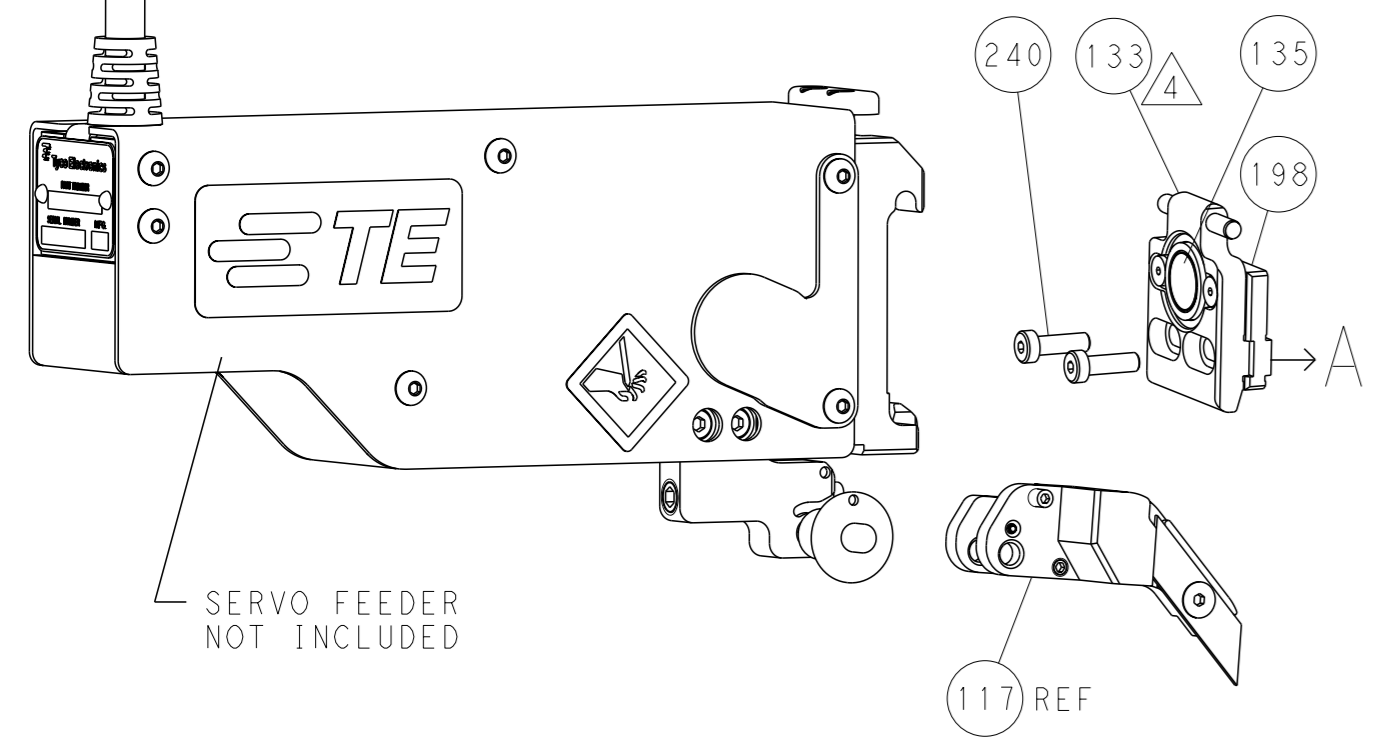
### FEED TYPE MECHANICAL



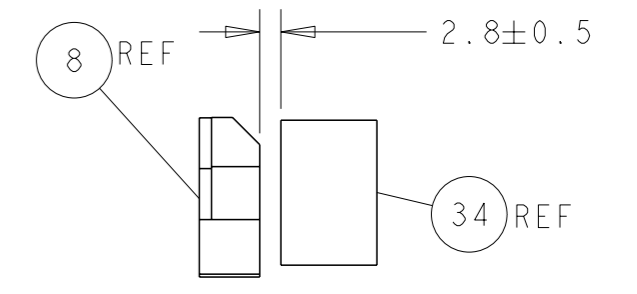
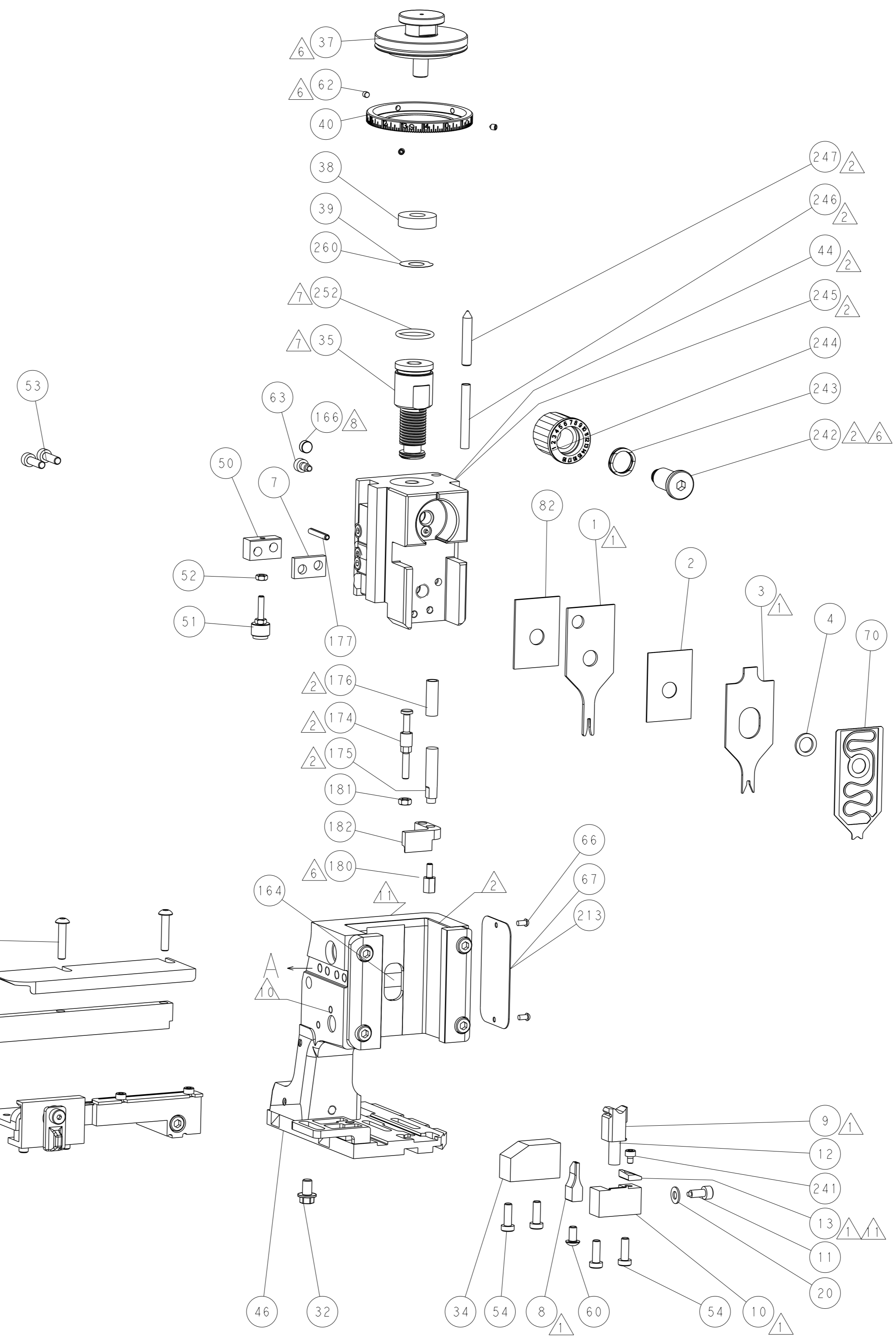
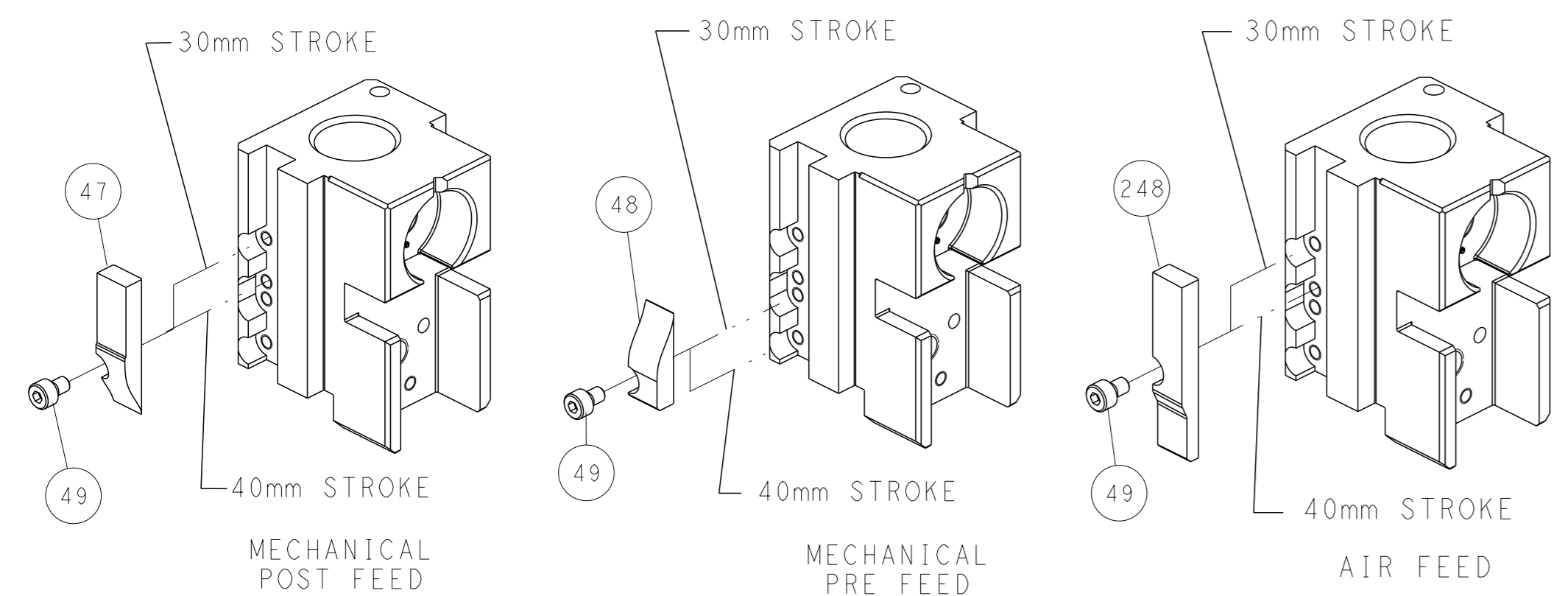
### PNEUMATIC



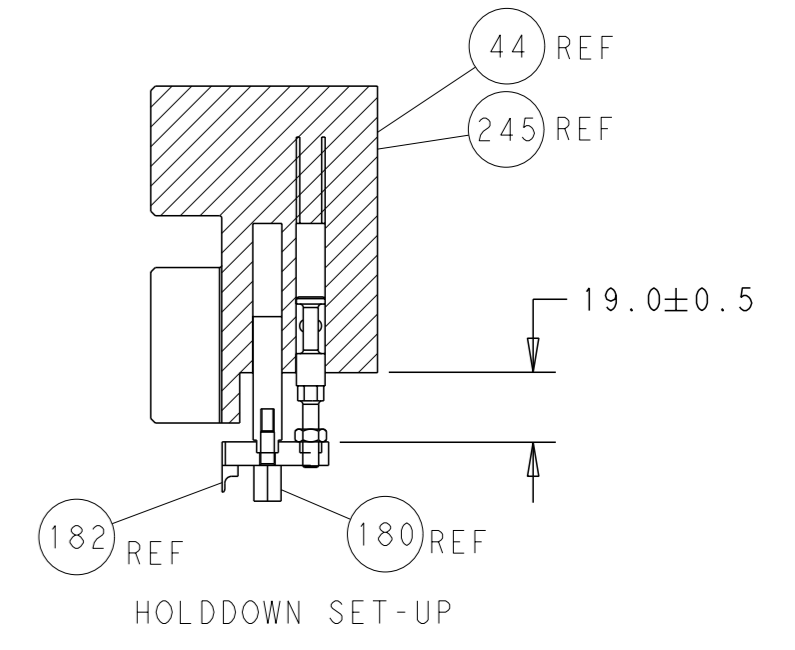
### SERVO LATCH PLATE



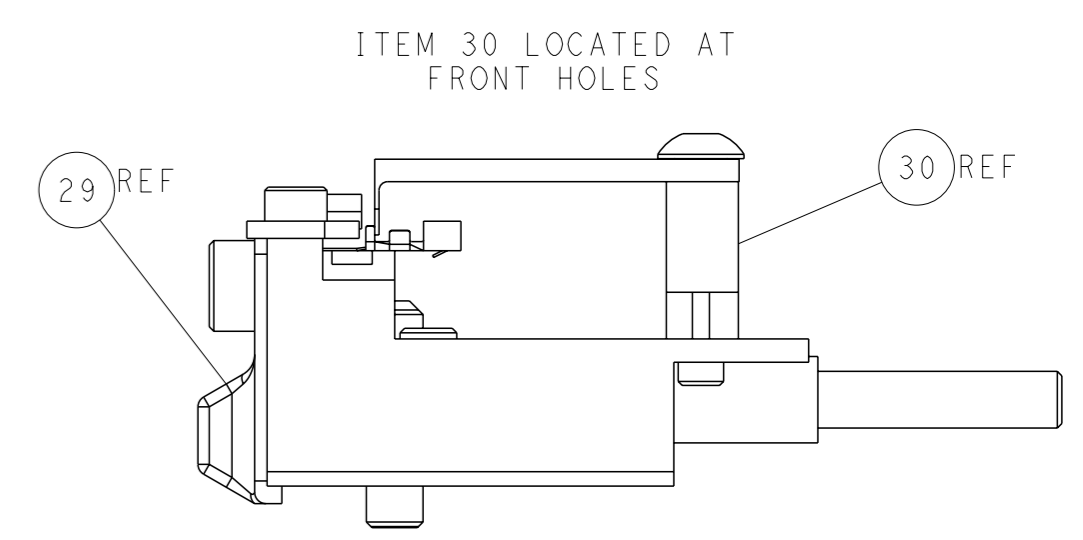
### CAM POSITIONS



TERMINAL SUPPORT LOCATION



HOLDDOWN SET-UP



FEED TRACK POSITION GUIDE BY INSULATION BARREL

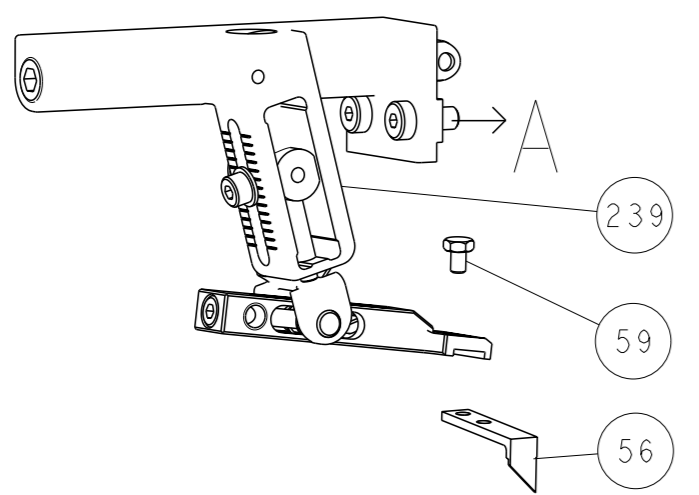
**ATLANTIC VERSION**  
 Shown on sheets 1 of 4 & 2 of 4  
 (Pacific version shown on sheets 3 of 4 & 4 of 4)

DIMENSIONS: mm 		TOLERANCES UNLESS OTHERWISE SPECIFIED: 0 PLC ± 1 PLC ± 2 PLC ± 3 PLC ± 4 PLC ± ANGLES ±		OWN 12MAR2014 CHK 12MAR2014 APVD 12MAR2014	NAME Ocean Side Feed Applicator
MATERIAL:		WEIGHT:		SIZE CAGE CODE DRAWING NO A1 00779 C=2836445	RESTRICTED TO:
Customer Accessible Production Drawing		SCALE 1:2 SHEET 2 of 4 REV A1		TE Connectivity Harrisburg, PA 17105-3608	

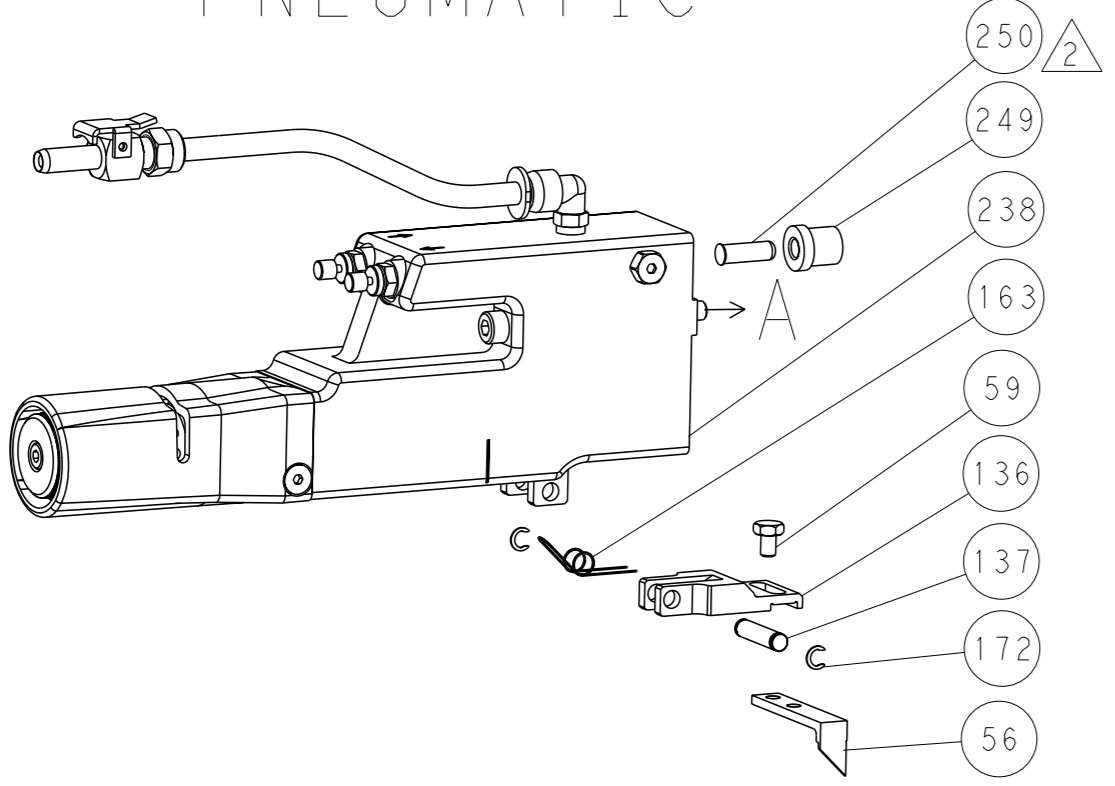


LOC		DIST		REVISIONS			
A	66	P	LYR	DESCRIPTION	DATE	OWN	APVD
		-		SEE SHEET 1			

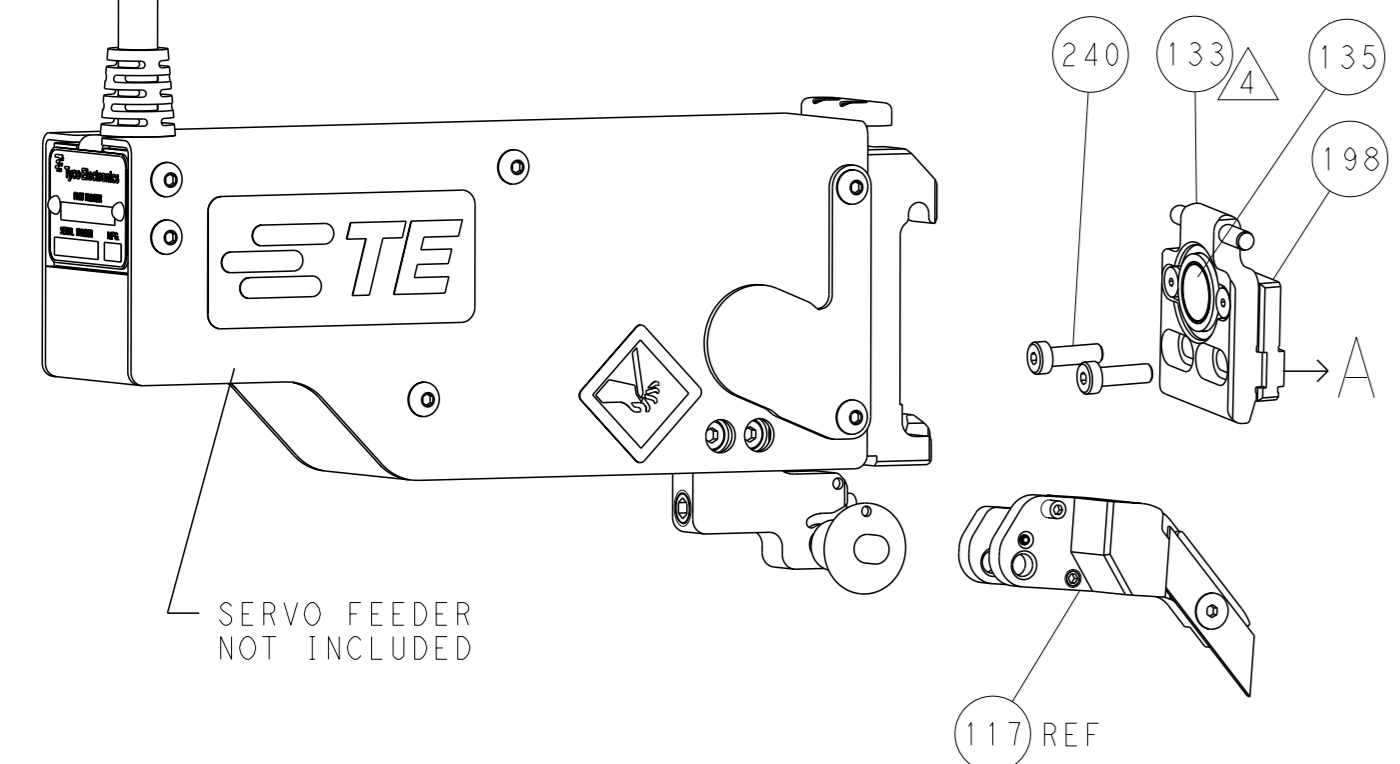
# FEED TYPE MECHANICAL



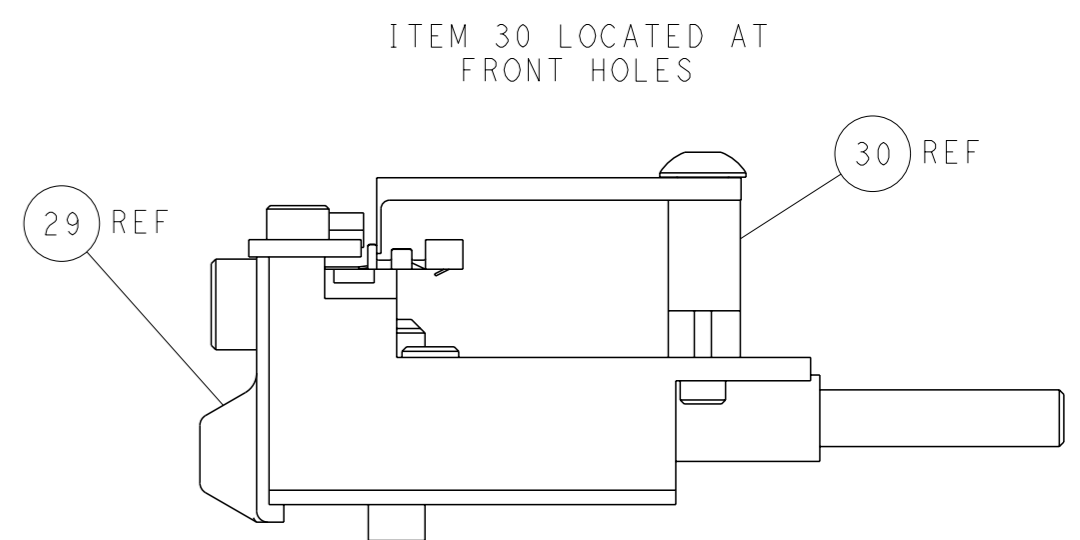
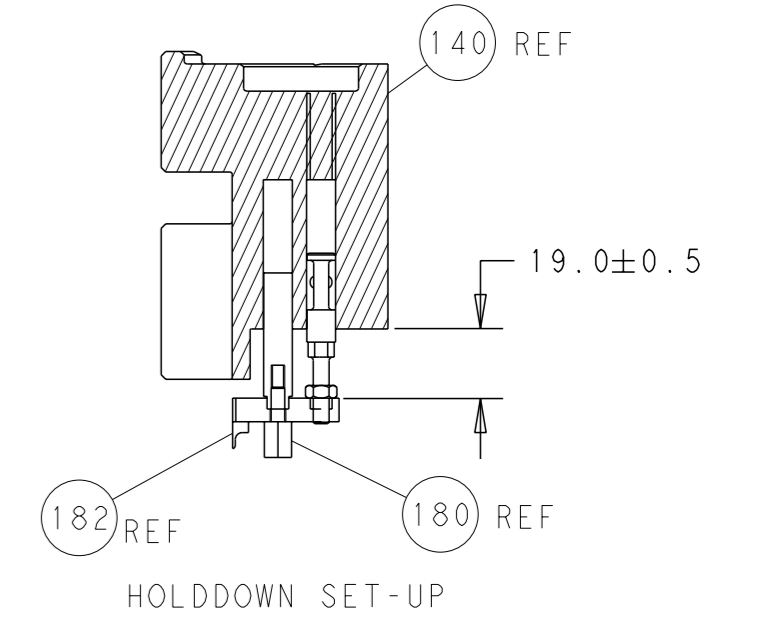
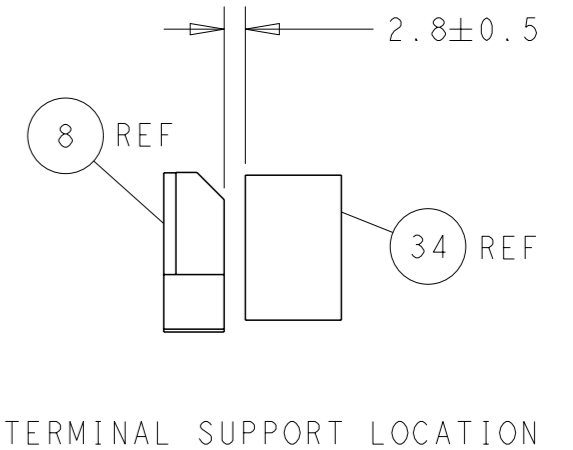
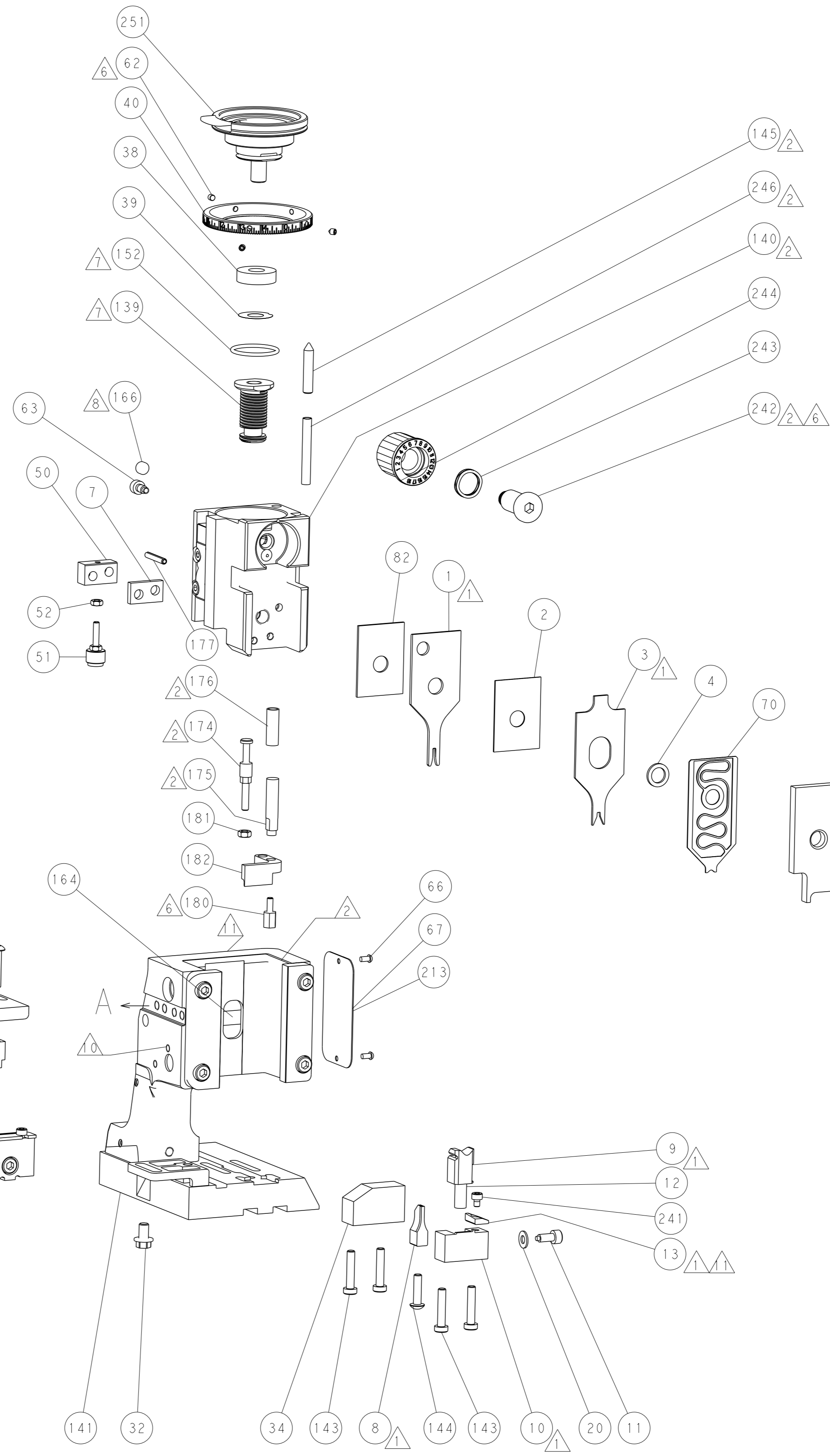
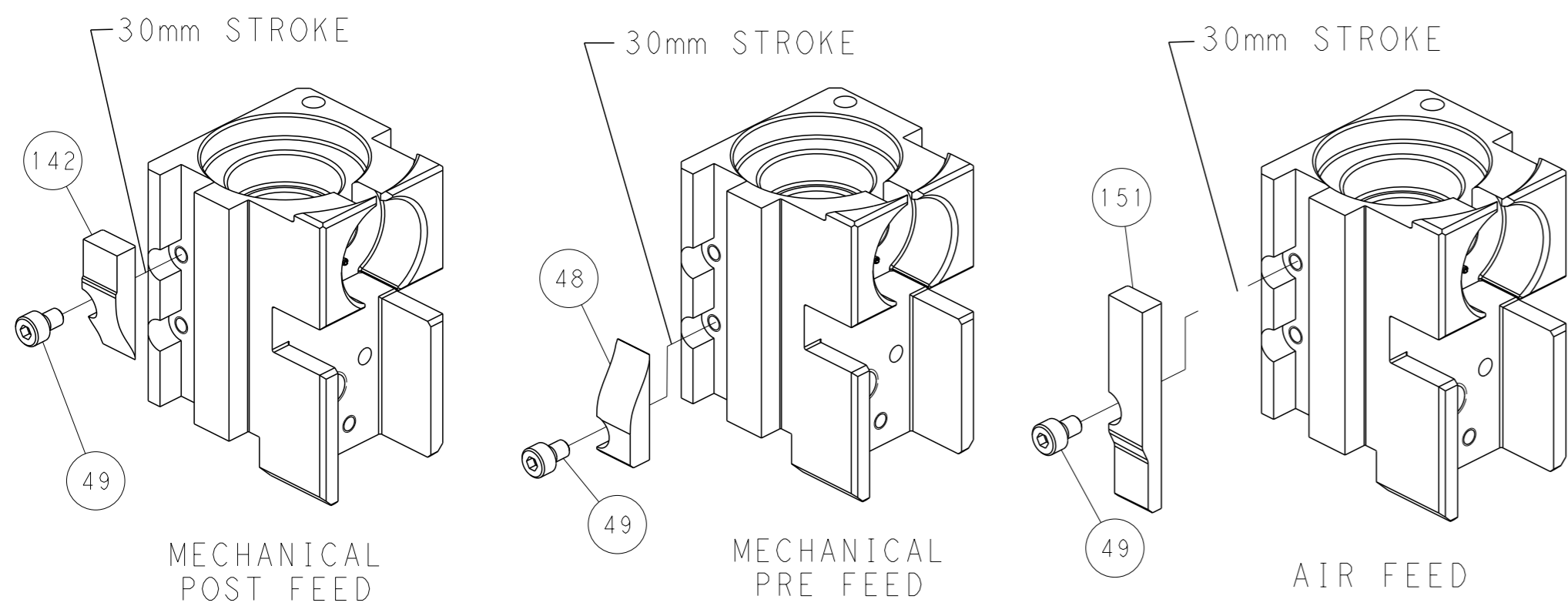
# PNEUMATIC



# SERVO LATCH PLATE



# CAM POSITIONS



**PACIFIC VERSION**  
 Shown on sheets 3 of 4 & 4 of 4  
 (Atlantic version shown on sheets 1 of 4 & 2 of 4)

DIMENSIONS:		TOLERANCES UNLESS OTHERWISE SPECIFIED:		OWN	12MAR2014	TE Connectivity Harrisburg, PA 17105-3608
mm	0 PLC ±	1 PLC ±	2 PLC ±	CHK	12MAR2014	
MATERIAL:		FINISH:		APVD	12MAR2014	NAME
						Ocean Side Feed Applicator
				PRODUCT SPEC		SIZE
				APPLICATION SPEC		CAGE CODE
				WEIGHT		DRAWING NO
				Customer Accessible Production Drawing	SCALE	1:2
					SHEET	4 of 4
					REV	A1