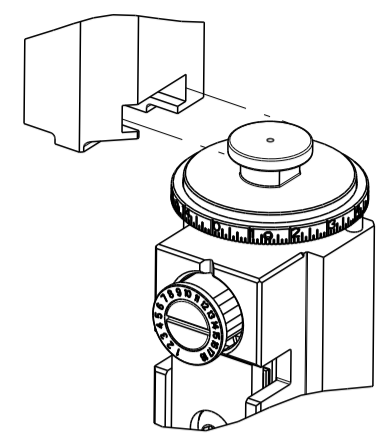


PART NUMBER	REVISION	DESCRIPTION	FEED TYPE
2836386-2	C	FINE CRIMP HEIGHT ADJUST	PNEUMATIC
7-2836386-2	C	PNEUMATIC AND CRIMP TOOLING KIT	PNEUMATIC
7-2836386-7	A	CRIMP TOOLING KIT	-

ATLANTIC VERSION TERMINATOR INTERFACE ADAPTER

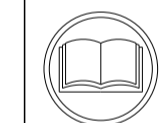


APPLICATOR DATA		
CRIMP	SIZE	TYPE
WIRE	2.29 mm [.090]	F
INSUL	3.30 mm [.130]	O

APPLICATOR INSTRUCTIONS
408-35042

TERMINAL DATA: TE TERMINAL		TE CRIMP SPECIFICATION	
TERMINAL NAME: .250 SERIES FLAG FASTON RECEPTACLE			
WIRE STRIP LENGTH		INSULATION DIAMETER RANGE	
4.39-5.15 mm [.173-.203 IN]		Ø1.40-2.30 mm [.055-.091 IN]	
TERMINAL APPLICATION SPECIFICATION	114-2079		
TERMINALS APPLIED			
TE TERMINAL	TE TERMINAL	TE TERMINAL	TE TERMINAL
160861-8	160861-7		

WIRE SIZE	CRIMP HEIGHT mm [INCH]	CRIMP HEIGHT REFERENCE SETTING
1.00mm2	1.47+/-0.05 [.058+/- .002]	7.3
18 AWG OR 0.80mm2	1.40+/-0.05 [.055+/- .002]	8.0
20 AWG OR 0.50mm2	1.30+/-0.05 [.051+/- .002]	9.2
22 AWG OR 0.40mm2	1.24+/-0.05 [.049+/- .002]	9.8



- RECOMMENDED SPARE PARTS
- REFER TO SUPPLIED INSTRUCTION SHEET FOR CLEANING, LUBRICATION AND STORAGE OF APPLICATOR.
- APPLY PART NUMBER 2-23419-6 LOCTITE TO THREADS OF ITEM 242.
- CRIMP HEIGHT REFERENCE SETTING WAS THE SETTING USED WHEN THE APPLICATOR WAS QUALIFIED AT THE FACTORY. ADJUSTMENT MAY BE NECESSARY WHEN RUNNING APPLICATOR IN THE FIELD.
- TERMINAL PITCH NOT COMPATIBLE WITH MECHANICAL FEED.
- QUANTITY OF ITEM 129 IS IN METERS.
- TERMINAL LUBRICANT IS RECOMMENDED.
- 8. UNLESS SPECIFIED OTHERWISE TORQUE VALUES SHALL BE USED PER DOCUMENT, 101-35000.

***WARNING**
ON INSTALLATION, SET WIRE DISC TO CRIMP HEIGHT REFERENCE SETTING FOR LARGEST WIRE SIZE. CRIMP HEIGHT REFERENCE SETTINGS GREATER THAN THE VALUE SHOWN MAY CAUSE DAMAGE TO THE CRIMP TOOLING, REFER TO THE INSTRUCTION SHEET FOR PROPER SETUP AND ADJUSTMENTS.

LOC	DIST	REVISIONS					
A	66	P	LTN	DESCRIPTION	DATE	OWN	APVD
		A		RELEASED	01DEC2016	LG	TE
		B		ECR-18-019376	12DEC2018	MZ	KZ
		C		ECR-20-015579	02NOV2020	TB	RK

-	2	2	2079383-1	SCR, BHSC, RoHS (M3 X 8)	269
-	1	1	1-1633782-6	FENCE	267
-	1	1	2119641-1	FEED CAM, AIR FEED	248
-	1	1	2119082-3	CAM, SNAIL, INSULATION ADJUSTMENT	244
-	1	1	2079764-1	WASHER, WAVE SPRING, CREST-TO-CREST	243
	1	1	2119083-1	RETAINER, INSULATION DIAL	242
-	1	1	2844940-1	AIR FEED MODULE	238
-	1	1	1-18028-0	WASHER, FLAT, REG M8	192
-	REF	REF	994970-2	COUNTER, MAGNETIC	164
-	1	1	2168083-8	SCR, SKT HD CAP, RoHS, M4 X 16	143
-	1	1	2217068-1	BRACKET, AIR BLAST	130
	1	1	2030758-3	TUBING, POLYURETHANE	129
-	1	1	986965-8	NUT, LOCK, HEX, TORQUE (M4)	128
-	1	1	2168083-3	SCR, SKT HD CAP, RoHS, M4 X 12.0	127
-	1	1	986220-3	CLAMP, CABLE, BLACK	126
-	1	1	1-22281-8	SPRING, COMPRESSION	121
-	1	1	1-455888-0	SPACER, CRIMPER	120
	1	1	2119955-1	ASSY, LUBRICATOR, SIDE FEED	113
-	1	1	23238-1	INSERT, COUPLING	101
-	1	1	2844908-1	SCREW, LOCKING	99
-	1	1	2844907-1	POST, LOCKING	98
-	1	1	3-690712-4	FRONT STRIP GUIDE	96
-	2	2	1-2168083-3	SCR, SKT HD CAP, RoHS, M3 X 16	95
-	1	1	2168083-6	SCR, SKT HD CAP, RoHS, M5 X 65	93
-	1	1	455888-1	SPACER, CRIMPER	82
-	1	1	1803607-3	DOCUMENTATION PACKAGE	71
-	1	1	2119791-9	DEPRESSOR, WIRE	70
-	1	1	2119943-1	WASHER, SPACER	69
-	1	1	2119740-1	TAG, IDENTIFICATION	67
-	2	2	2168078-1	SCREW, DRIVE, RH, RoHS, 2 x .188	66
-	2	2	2-18032-5	SCR, SET, FLT PNT, M5 X 20.0	61
-	1	1	2168083-2	SCR, SKT HD CAP, RoHS, M4 X 8.0	60
-	1	1	5-18022-5	SCR, HEX HD CAP, M4 X 6.0	59
-	1	1	1338685-3	PAWL, FEED	56
-	1	1	18023-9	SCR, SKT HD CAP M4 X 6.0	49
-	1	1	1803583-9	APPLICATOR BASIC ASSEMBLY, SF	46
-	1	1	1803515-1	RAM ASSEMBLY, SF ATLANTIC	44
-	1	1	1803602-1	SCR, BHSC, RoHS (M8 X 25)	41
-	2	2	2079383-5	SCR, BHSC, RoHS (M4 X 20)	33
-	2	2	2-2844962-3	SPACER, CYLINDRICAL, STRIP GUIDE	30
-	1	1	2-2844938-9	PLATE, STRIP GUIDE	29
-	2	2	22281-6	SPRING, COMPRESSION	27
-	1	1	356835-1	LEVER, DRAG RELEASE	26
-	1	1	690792-3	DRAG, STOCK	25
-	1	1	1320928-2	STRIP GUIDE	24
-	1	1	980371-4	SCR, SKT HD SHLDR 5.0 DIA X 6.0	23
-	1	1	2168083-2	SCR, SKT HD CAP, RoHS, M4 X 8.0	21
-	4	4	1-18028-2	WASHER, FLAT, REG M4	20
-	1	1	2119533-6	STRIPPER, SIDE FEED	19
	1	1	5-853720-0	BLADE, SLUG	15
	1	1	2-853721-5	BLADE, SLUG	10
	1	1	2-1803012-8	PLATE, REAR SHEAR	9
	1	2	1-1803010-2	ANVIL, SPEICAL, COMBINATION	8
-	-	-	-	-	7
-	-	-	-	-	6
-	-	-	-	-	5
-	1	1	238011-2	BLOCK, CRIMPER SPACER	4
	1	2	1-5-1633965-4	CRIMPER, INSULATION O PREMIUM	3
-	-	-	-	-	2
	1	2	1-8-456406-3	CRIMPER, WIRE PREMIUM	1

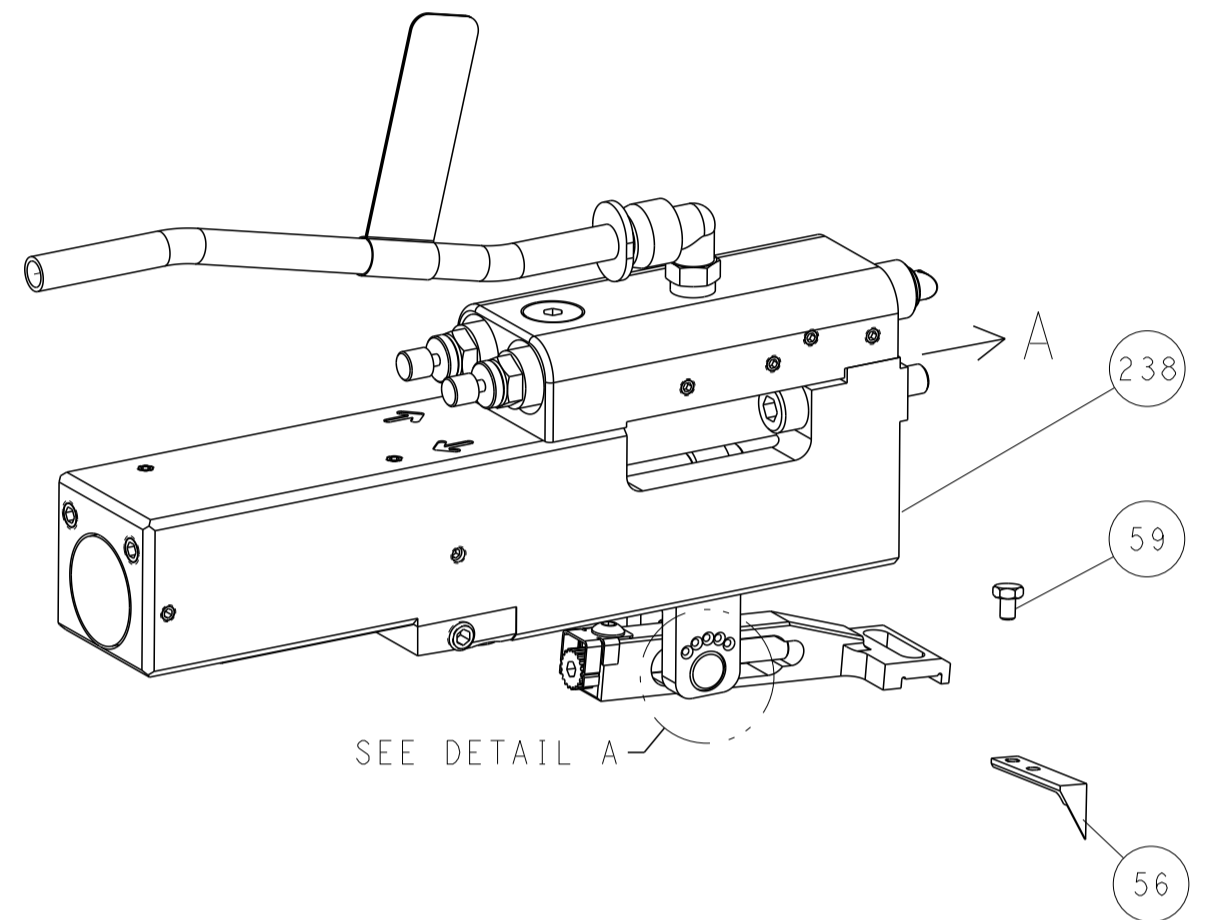
ATLANTIC VERSION
Shown on sheets 1 of 4 & 2 of 4
(Pacific version shown on sheets 3 of 4 & 4 of 4)

DIMENSIONS:		TOLERANCES UNLESS OTHERWISE SPECIFIED:		APPROVED:		DATE:	
mm	0 PLC ±	1 PLC ±	2 PLC ±	3 PLC ±	4 PLC ±	APVD	DATE
	ANGLES	FINISH		CHK		19 JUL 2016	
MATERIAL				CHK		19 JUL 2016	
				APVD		19 JUL 2016	
				NAME			
				PRODUCT SPEC			
				APPLICATION SPEC			
				SIZE	CAGE CODE	DRAWING NO	RESTRICTED TO
				A1	00779	2836386	
				WEIGHT			
				CUSTOMER DRAWING	SCALE	SHEET	REV
					1:2	1 OF 4	C

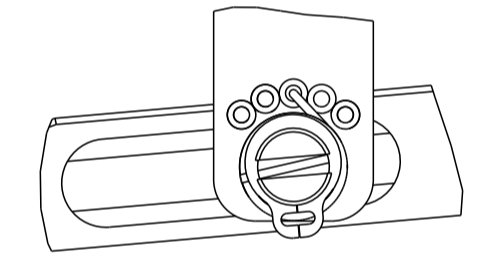
LOC	DIST	REV	DATE	BY	APPV
A	66				
REVISIONS			DATE	BY	APPV
DESCRIPTION					
SEE SHEET 1					

FEED TYPE

PNEUMATIC

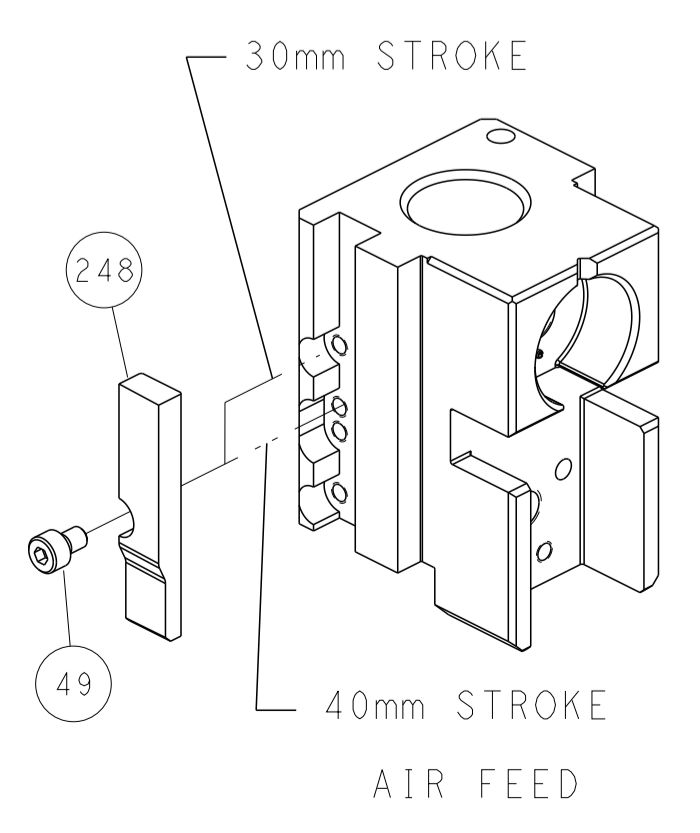


FEED SPRING SETTING POSITION
(SHOWN FROM REAR SIDE)

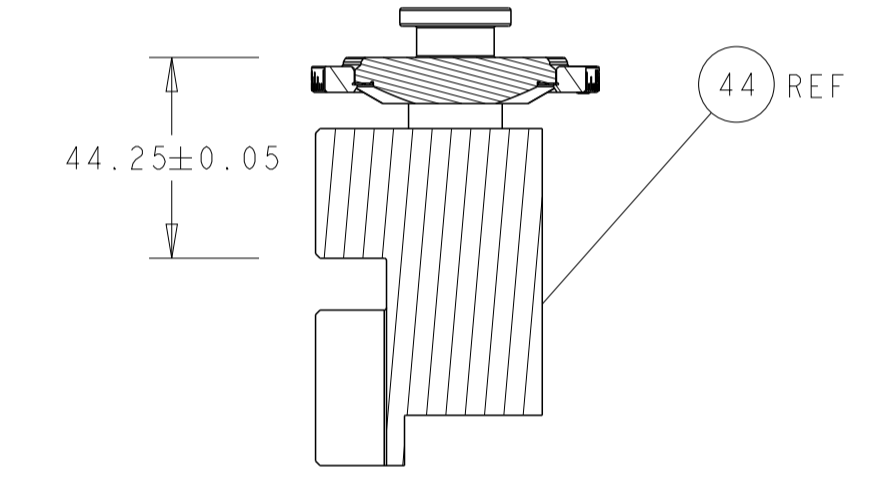
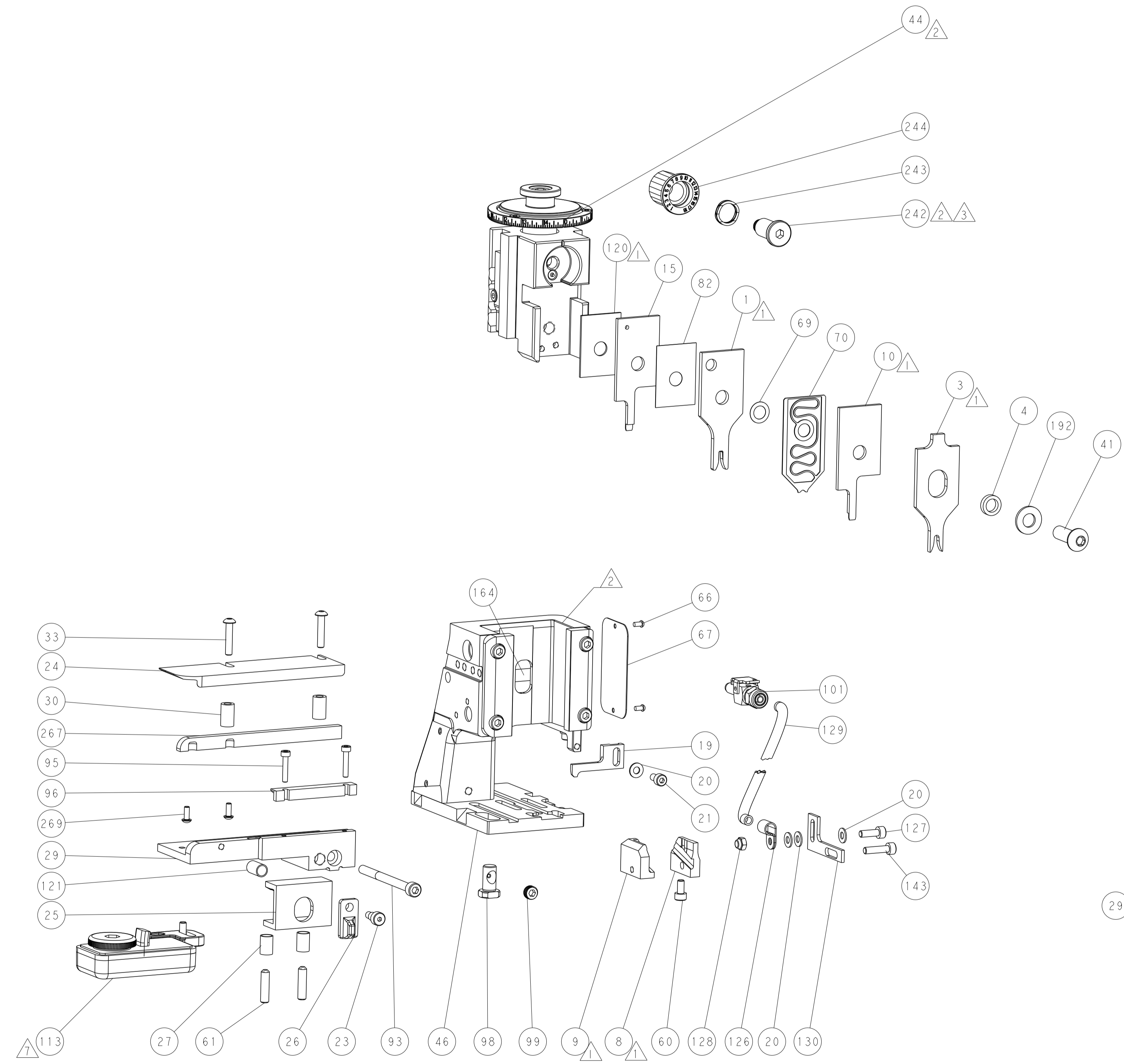


DETAIL A

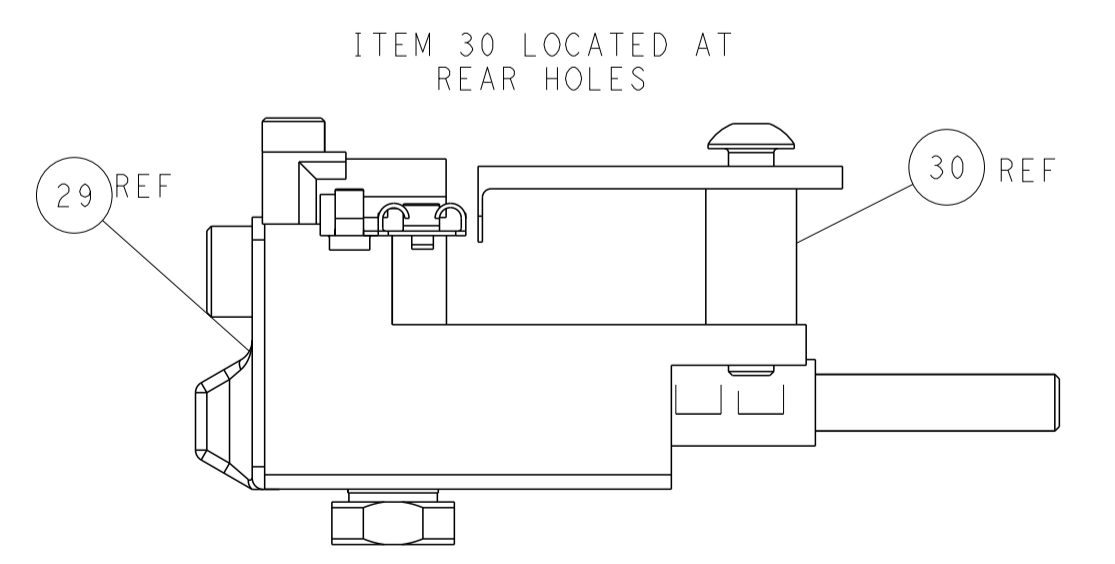
CAM POSITION



AIR FEED



RAM SET-UP



FEED TRACK POSITION
GUIDE BY INSULATION AND BODY

ATLANTIC VERSION
 Shown on sheets 1 of 4 & 2 of 4
 (Pacific version shown on sheets 3 of 4 & 4 of 4)

DIMENSIONS:		TOLERANCES UNLESS OTHERWISE SPECIFIED:		OWN	19 JUL 2016	TE Connectivity Harrisburg, PA 17105-3608
mm	0 PLC ±	1 PLC ±	2 PLC ±	CHK	19 JUL 2016	
	3 PLC ±	4 PLC ±	ANGLES ±	APVD	19 JUL 2016	NAME
	MATERIAL	FINISH	WEIGHT	CUSTOMER DRAWING		SIZE CAGE CODE DRAWING NO A1 00779 C=2836386
SCALE						SHEET 2 OF 4 REV C

THIS DRAWING IS UNPUBLISHED.	RELEASED FOR PUBLICATION		
COPYRIGHT 20 BY TYCO ELECTRONICS CORPORATION. ALL RIGHTS RESERVED.			
PART NUMBER	REVISION	DESCRIPTION	FEED TYPE
2-2836386-2	C	FINE CRIMP HEIGHT ADJUST	PNEUMATIC
7-2836386-7	A	CRIMP TOOLING KIT	-

PACIFIC VERSION TERMINATOR
INTERFACE ADAPTER



APPLICATOR DATA		
CRIMP	SIZE	TYPE
WIRE	2.29 mm [.090]	F
INSUL	3.30 mm [.130]	O
APPLICATOR INSTRUCTIONS 408-35042		

TERMINAL DATA: TE TERMINAL		TE CRIMP SPECIFICATION	
TERMINAL NAME: .250 SERIES FLAG FASTON RECEPTACLE			
WIRE STRIP LENGTH 4.39-5.15 mm [1.73-.203 IN]		INSULATION DIAMETER RANGE Ø1.40-2.30 mm [.055-.091 IN]	
TERMINAL APPLICATION SPECIFICATION 114-2079			
TERMINALS APPLIED			
TE TERMINAL	TE TERMINAL	TE TERMINAL	TE TERMINAL
160861-8	160861-7		

WIRE SIZE	CRIMP HEIGHT mm [INCH]	CRIMP HEIGHT REFERENCE SETTING
1.00mm ²	1.47+/-0.05 [.058+/-0.002]	7.3
18 AWG OR 0.80mm ²	1.40+/-0.05 [.055+/-0.002]	8.0
20 AWG OR 0.50mm ²	1.30+/-0.05 [.051+/-0.002]	9.2
22 AWG OR 0.40mm ²	1.24+/-0.05 [.049+/-0.002]	9.8

- 1 RECOMMENDED SPARE PARTS
- 2 REFER TO SUPPLIED INSTRUCTION SHEET FOR CLEANING, LUBRICATION AND STORAGE OF APPLICATOR.
- 3 APPLY PART NUMBER 2-23419-6 LOCTITE TO THREADS OF ITEM 242.
- 4 CRIMP HEIGHT REFERENCE SETTING WAS THE SETTING USED WHEN THE APPLICATOR WAS QUALIFIED AT THE FACTORY. ADJUSTMENT MAY BE NECESSARY WHEN RUNNING APPLICATOR IN THE FIELD.
- 5 TERMINAL PITCH NOT COMPATIBLE WITH MECHANICAL FEED.
- 6 QUANTITY OF ITEM 129 IS IN METERS.
- 7 TERMINAL LUBRICANT IS RECOMMENDED.
- 8. UNLESS SPECIFIED OTHERWISE TORQUE VALUES SHALL BE USED PER DOCUMENT, 101-35000.

***WARNING**
ON INSTALLATION, SET WIRE DISC TO CRIMP HEIGHT REFERENCE SETTING FOR LARGEST WIRE SIZE. CRIMP HEIGHT REFERENCE SETTINGS GREATER THAN THE VALUE SHOWN MAY CAUSE DAMAGE TO THE CRIMP TOOLING, REFER TO THE INSTRUCTION SHEET FOR PROPER SETUP AND ADJUSTMENTS.

PACIFIC VERSION
Shown on sheets 3 of 4 & 4 of 4
(Atlantic version shown on sheets 1 of 4 & 2 of 4)

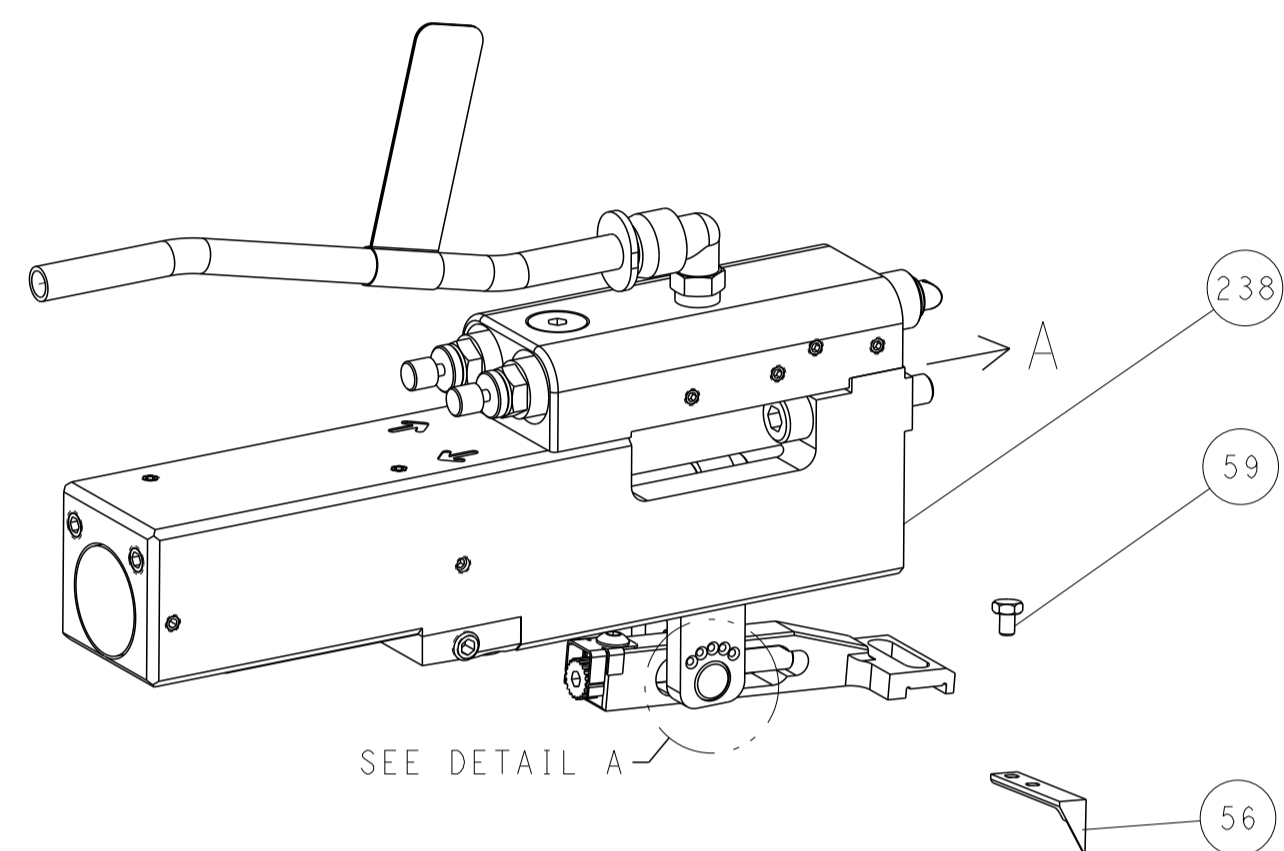
LOC	DIST	REV	DATE	BY	APPV
A	66				

REV	DATE	BY	APPV	DESCRIPTION	DATE	BY	APPV
-	2	2079383-1		SCR, BHSC, RoHS (M3 X 8)			269
-	1	1-1633782-6		FENCE			267
-	1	2119082-3		CAM, SNAIL, INSULATION ADJUSTMENT			244
-	1	2079764-1		WASHER, WAVE SPRING, CREST-TO-CREST			243
3	-	2119083-1		RETAINER, INSULATION DIAL			242
-	1	2844940-1		AIR FEED MODULE			238
-	1	1-18028-0		WASHER, FLAT, REG M8			192
-	REF	994970-2		COUNTER, MAGNETIC			164
-	1	2119641-2		FEED CAM, AIR FEED			151
-	1	2168083-8		SCR, SKT HD CAP, RoHS, M4 X 16			144
-	1	2168083-8		SCR, SKT HD CAP, RoHS, M4 X 16			143
-	1	1-1803583-0		APPLICATOR BASIC ASSEMBLY, SF			141
-	1	1803516-1		RAM ASSEMBLY, SF PACIFIC			140
-	1	2217068-1		BRACKET, AIR BLAST			130
6	-	2030758-3		TUBING, POLYURETHANE			129
-	1	986965-8		NUT, LOCK, HEX, TORQUE (M4)			128
-	1	2168083-3		SCR, SKT HD CAP, RoHS, M4 X 12.0			127
-	1	986220-3		CLAMP, CABLE, BLACK			126
-	1	1-22281-8		SPRING, COMPRESSION			121
-	1	1-455888-0		SPACER, CRIMPER			120
7	-	2119955-1		ASSY, LUBRICATOR, SIDE FEED			113
-	1	23238-1		INSERT, COUPLING			101
-	1	2844908-1		SCREW, LOCKING			99
-	1	2844907-1		POST, LOCKING			98
-	1	3-690712-4		FRONT STRIP GUIDE			96
-	2	1-2168083-3		SCR, SKT HD CAP, RoHS, M3 X 16			95
-	1	2168083-6		SCR, SKT HD CAP, RoHS, M5 X 65			93
-	1	455888-1		SPACER, CRIMPER			82
-	1	1803607-3		DOCUMENTATION PACKAGE			71
-	1	2119791-9		DEPRESSOR, WIRE			70
-	1	2119943-1		WASHER, SPACER			69
-	1	2119740-1		TAG, IDENTIFICATION			67
-	2	2168078-1		SCREW, DRIVE, RH, RoHS, 2 x .188			66
-	2	2-18032-5		SCR, SET, FLT PNT, M5 X 20.0			61
-	1	5-18022-5		SCR, HEX HD CAP, M4 X 6.0			59
-	1	1338685-3		PAWL, FEED			56
-	1	18023-9		SCR, SKT HD CAP M4 X 6.0			49
-	1	1803602-1		SCR, BHSC, RoHS (M8 X 25)			41
-	2	2079383-5		SCR, BHSC, RoHS (M4 X 20)			33
-	2	2-2844962-3		SPACER, CYLINDRICAL, STRIP GUIDE			30
-	1	2-2844938-9		PLATE, STRIP GUIDE			29
-	2	22281-6		SPRING, COMPRESSION			27
-	1	356835-1		LEVER, DRAG RELEASE			26
-	1	690792-3		DRAG, STOCK			25
-	1	1320928-2		STRIP GUIDE			24
-	1	980371-4		SCR, SKT HD SHLDR 5.0 DIA X 6.0			23
-	1	2168083-2		SCR, SKT HD CAP, RoHS, M4 X 8.0			21
-	4	1-18028-2		WASHER, FLAT, REG M4			20
-	1	2119533-6		STRIPPER, SIDE FEED			19
-	1	5-853720-0		BLADE, SLUG			15
-	1	2-853721-5		BLADE, SLUG			10
-	1	2-1803012-8		PLATE, REAR SHEAR			9
-	1	1-1803010-2		ANVIL, SPEICAL, COMBINATION			8
-	-	-		-			7
-	-	-		-			6
-	-	-		-			5
-	1	238011-2		BLOCK, CRIMPER SPACER			4
-	1	5-1633965-4		CRIMPER, INSULATION O PREMIUM			3
-	-	-		-			2
-	1	8-456406-3		CRIMPER, WIRE PREMIUM			1

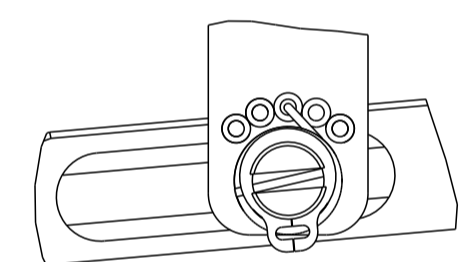
THIS DRAWING IS UNPUBLISHED. RELEASED FOR PUBLICATION. ALL RIGHTS RESERVED.		OWN	K. HUANG	19 JUL 2016	TE Connectivity Harrisburg, PA 17105-3608
DIMENSIONS: mm		CHK	K. HUANG	19 JUL 2016	
TOLERANCES UNLESS OTHERWISE SPECIFIED:		APVD	L. ZHANG	19 JUL 2016	NAME
0 PLC ±		PRODUCT SPEC		Ocean Side Feed Applicator	
1 PLC ±		APPLICATION SPEC		SIZE	
2 PLC ±		MATERIAL		CAGE CODE	
3 PLC ±		FINISH		DRAWING NO	
4 PLC ±		WEIGHT		RESTRICTED TO	
ANGLES		CUSTOMER DRAWING		SCALE	
FINISH		SCALE		SHEET	
MATERIAL		SCALE		REV	
FINISH		SCALE		REV	

LOC	DIST	REVISIONS					
A	66	P	LTH	DESCRIPTION	DATE	OWN	APVD
		-		SEE SHEET 1			

FEED TYPE PNEUMATIC

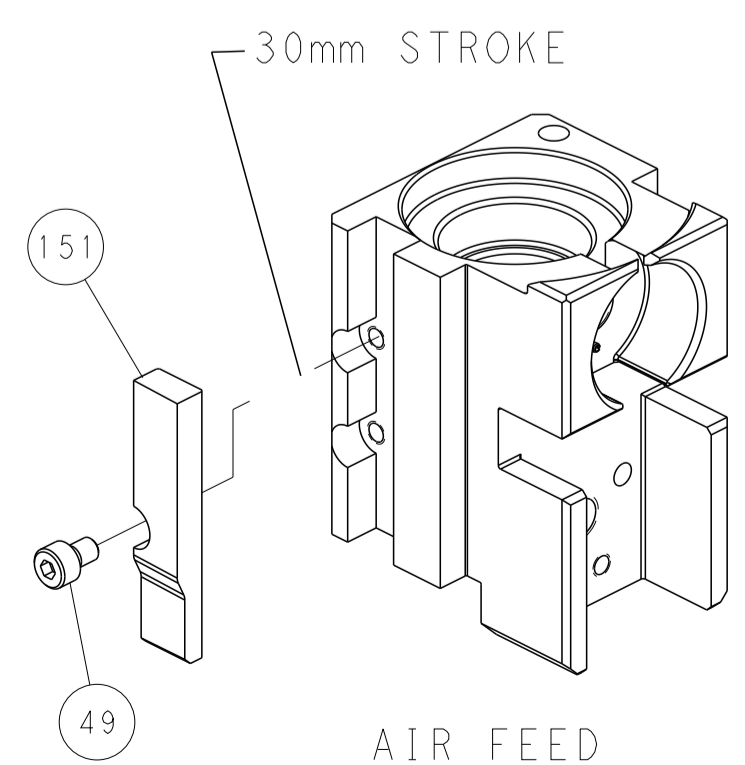


FEED SPRING SETTING POSITION
(SHOWN FROM REAR SIDE)

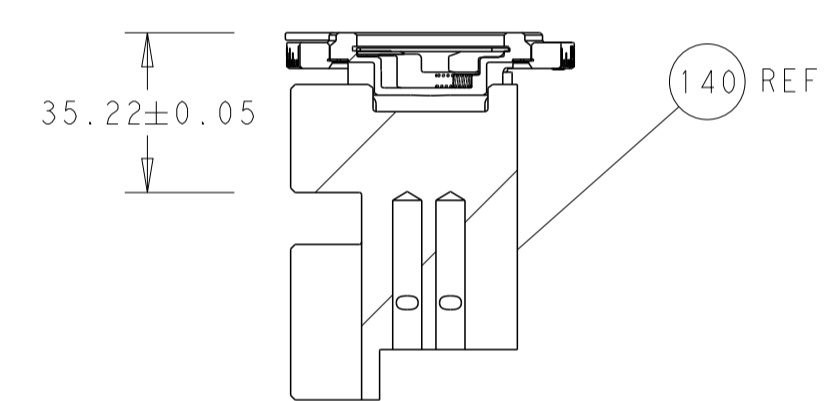
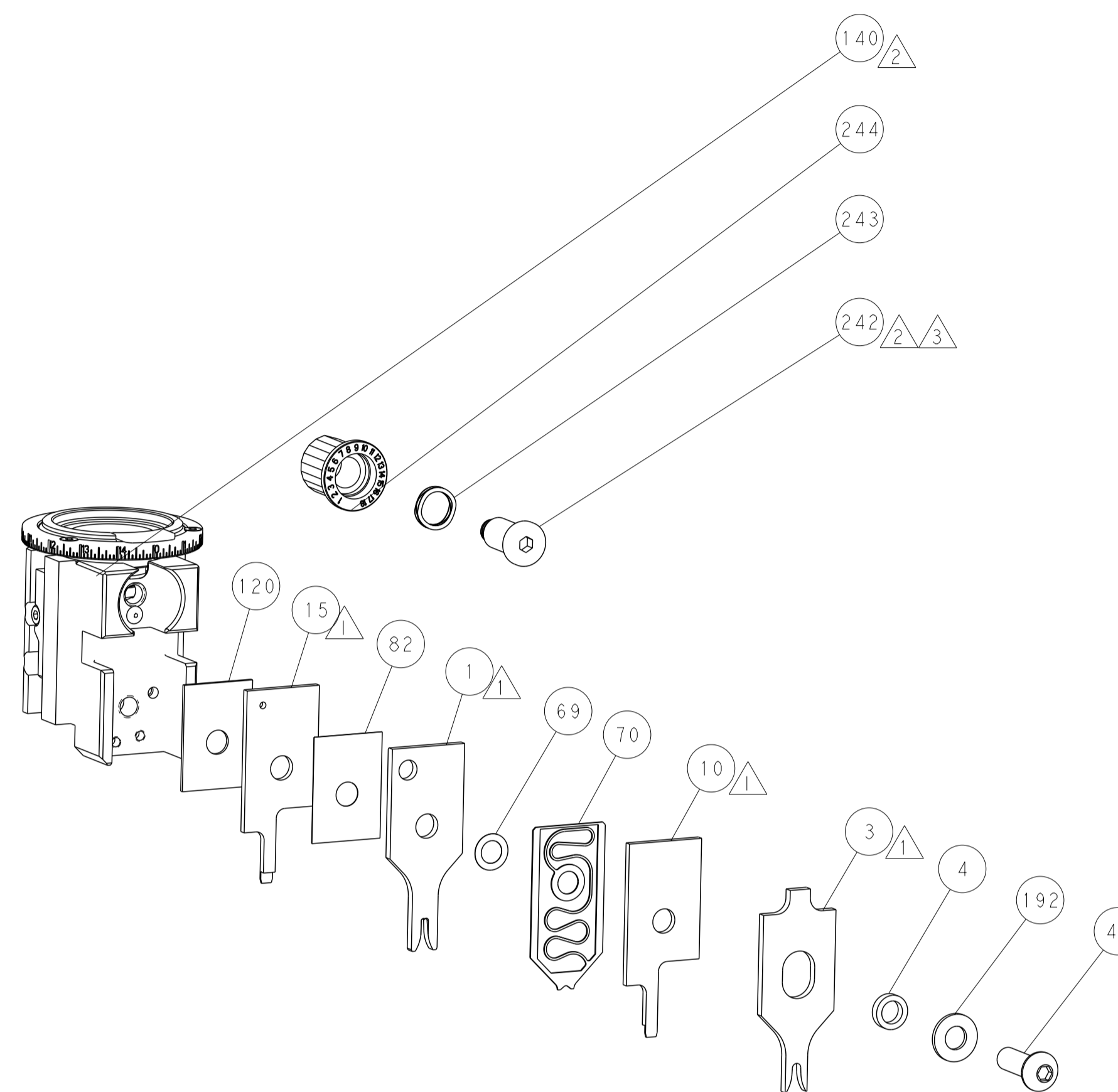


DETAIL A

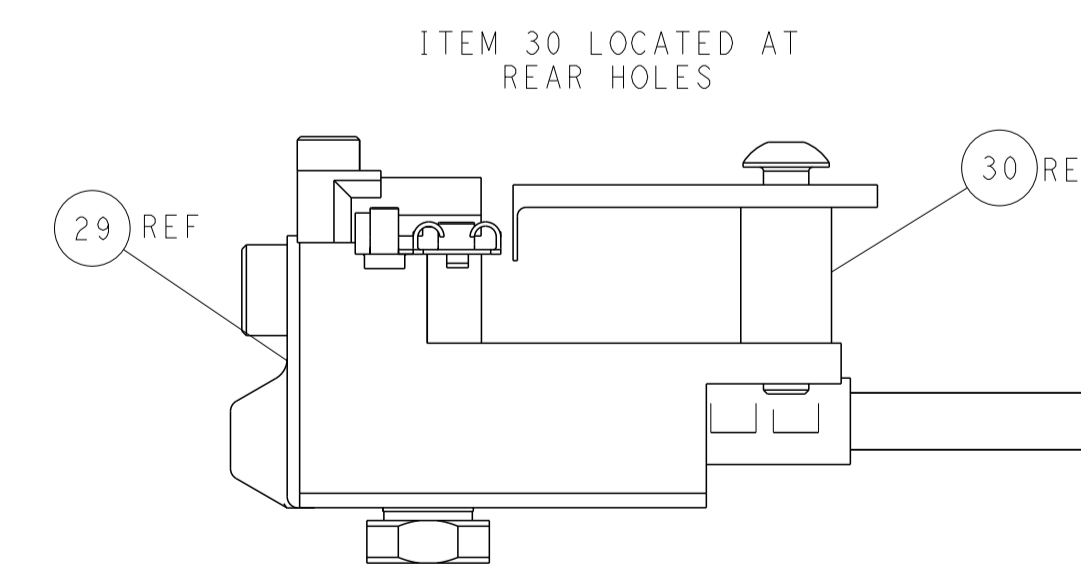
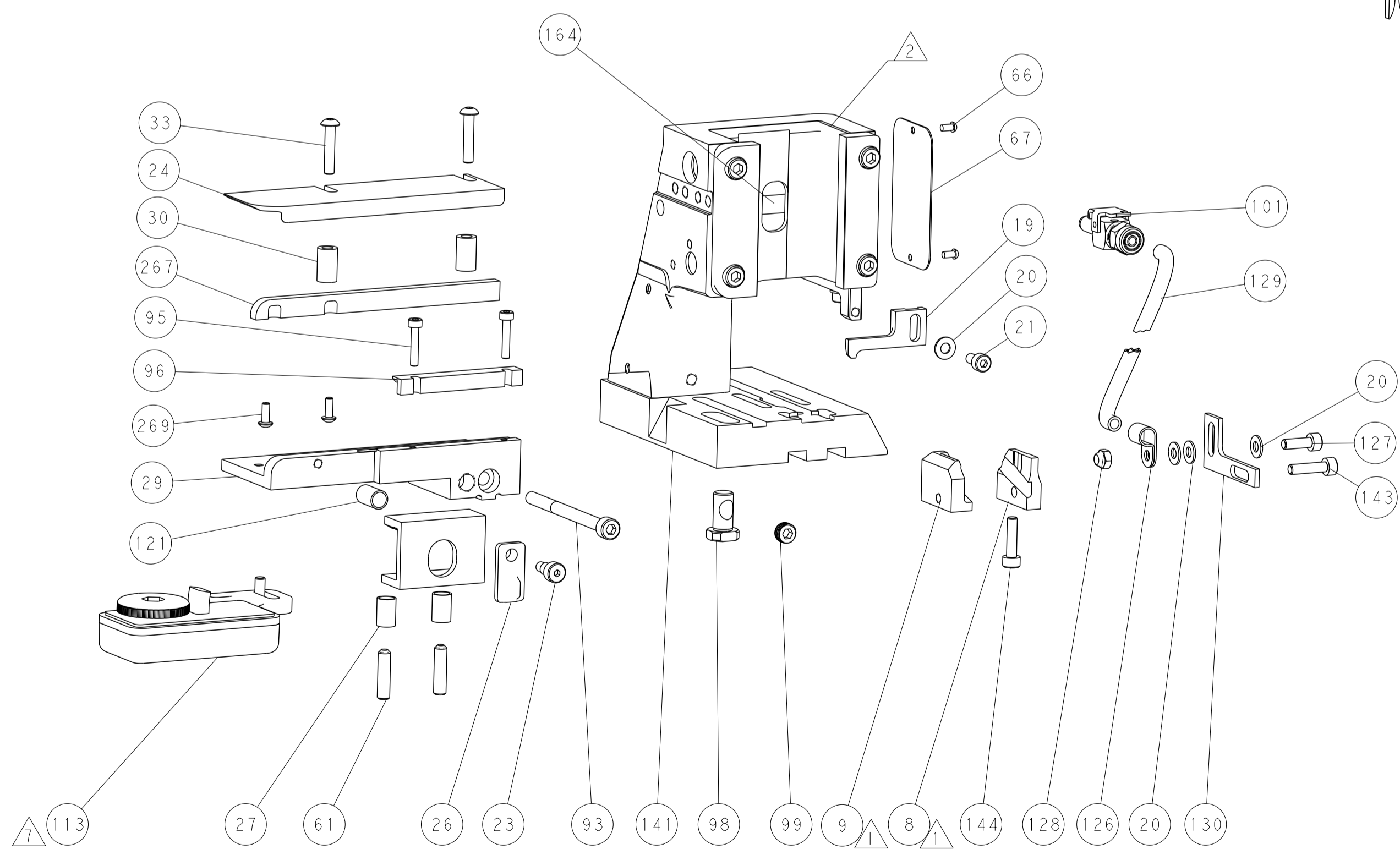
CAM POSITION



AIR FEED



RAM SET-UP



FEED TRACK POSITION
GUIDE BY INSULATION AND BODY

PACIFIC VERSION
 Shown on sheets 3 of 4 & 4 of 4
 (Atlantic version shown on sheets 1 of 4 & 2 of 4)

<small>THIS DRAWING IS UNPUBLISHED. RELEASED FOR PUBLICATION. IT IS THE PROPERTY OF TYCO ELECTRONICS CORPORATION. IT IS TO BE USED ONLY FOR THE PURPOSES AND IN THE MANNER SPECIFIED BY THE CUSTOMER. IT IS TO BE RETURNED TO TYCO ELECTRONICS CORPORATION UPON THE COMPLETION OF THE PROJECT.</small>		DWN: K. HUANG 19JUL2016 CHK: K. HUANG 19JUL2016 APVD: L. ZHANG 19JUL2016	NAME: TE Connectivity Harrisburg, PA 17105-3608
DIMENSIONS: mm TOLERANCES UNLESS OTHERWISE SPECIFIED: 0 PLC ± 1 PLC ± 2 PLC ± 3 PLC ± 4 PLC ± ANGLES ± FINISH ±		PRODUCT SPEC APPLICATION SPEC WEIGHT CUSTOMER DRAWING	SIZE: A1 CAGE CODE: 00779 DRAWING NO: C=2836386 SCALE: 1:2 SHEET: 4 OF 4 REV: C