

APPLICATOR STYLE CONVERSION CHART. Table with columns: PART NUMBER, REVISION, DESCRIPTION, FEED TYPE, CONVERT TO, PART NUMBERS REQUIRED.

APPLICATOR DATA. Table with columns: CRIMP, SIZE, TYPE. Includes APPLICATOR INSTRUCTIONS 408-10389.

TERMINAL DATA: YAZAKI TERMINAL YAZAKI CRIMP SPECIFICATION. Terminal Name: 2.3II SEALED TERMINAL MALE. Wire Strip Length: 4.00-5.00 mm.

TERMINALS APPLIED. Table with columns: TE TERMINAL, YAZAKI TERMINAL, TE SEAL, YAZAKI SEAL, CABLE DIAMETER.

WIRE SIZE vs CRIMP HEIGHT REFERENCE SETTING. Table with columns: WIRE SIZE, CRIMP HEIGHT mm [INCH], CRIMP HEIGHT REFERENCE SETTING.

- RECOMMENDED SPARE PARTS
GREASE BEARING SURFACES LIGHTLY
LUBRICATE DAILY PER THE APPLICATOR INSTRUCTION SHEET SUPPLIED WITH THE APPLICATOR.

*WARNING
ON INSTALLATION, SET WIRE DISC, ITEM 40 TO LARGEST WIRE SIZE SETTING. USE OF SETTINGS BELOW MINIMUM REQUIRED CRIMP HEIGHT SETTING WILL CAUSE DAMAGE TO CRIMP TOOLING.

Table with columns: PART NO, DESCRIPTION, ITEM NO. Includes parts like APPLICATOR SHIM PACK, O-RING, PUSH ROD, AIR FEED.

ATLANTIC VERSION
Shown on sheets 1 of 4 & 2 of 4
(Pacific version shown on sheets 3 of 4 & 4 of 4)

LOC A DIST 66. REVISIONS table with columns: P, LTR, DESCRIPTION, DATE, DMN, APVD.

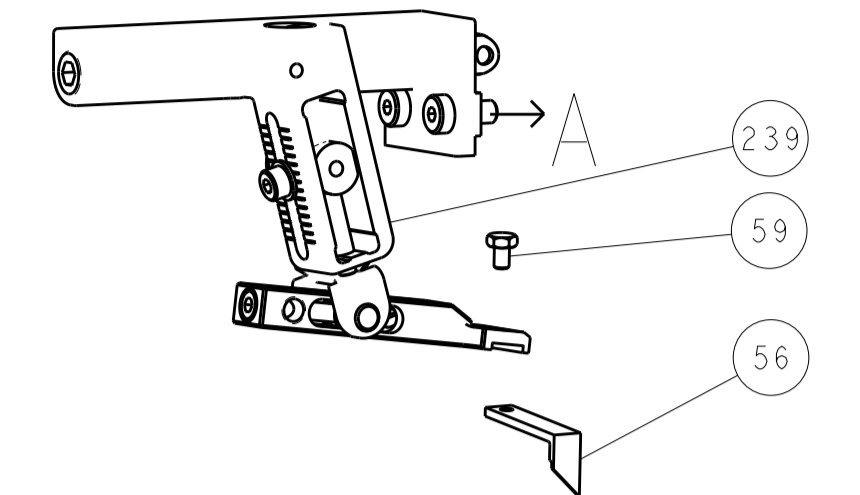
Large parts list table with columns: P, LTR, DESCRIPTION, DATE, DMN, APVD. Includes parts like BUSHING, FEED CAM, DETENT PIN, SPRING, COMPRESSION, RAM, AMP STYLE, etc.

Customer Accessible Production Drawing. Includes dimensions, tolerances, materials, and part numbers.

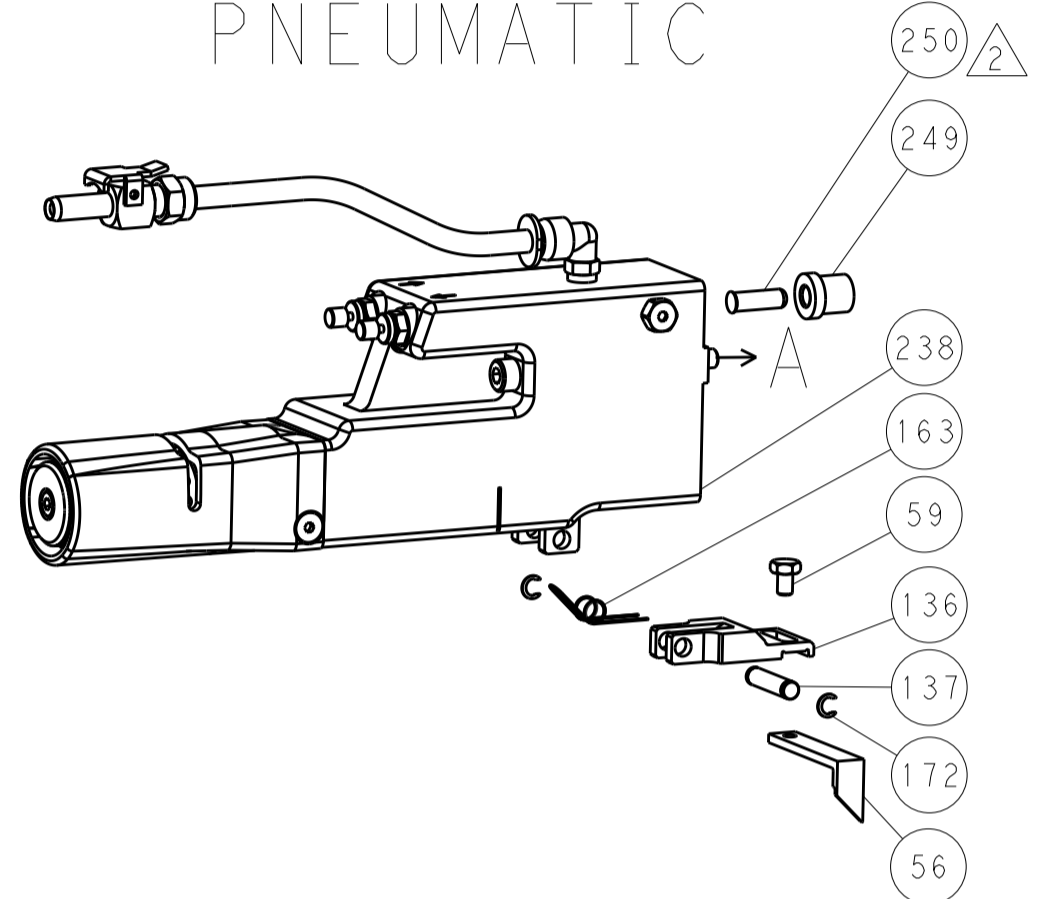
LOC	DIST	REV	DATE	BY	APPV
A	66				

REVISIONS			
REV	DATE	DESCRIPTION	BY
-	-	SEE SHEET 1	-

FEED TYPE MECHANICAL



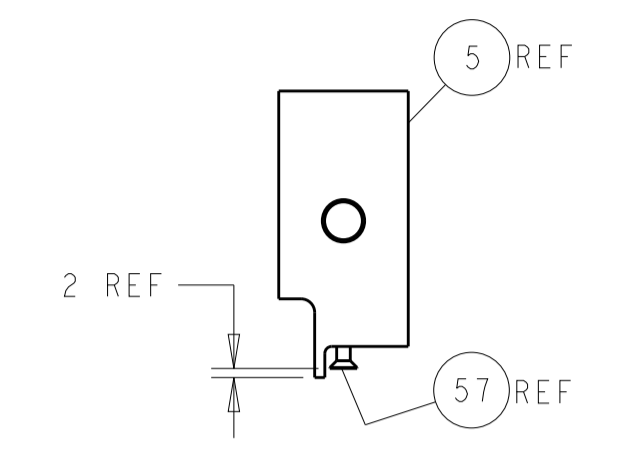
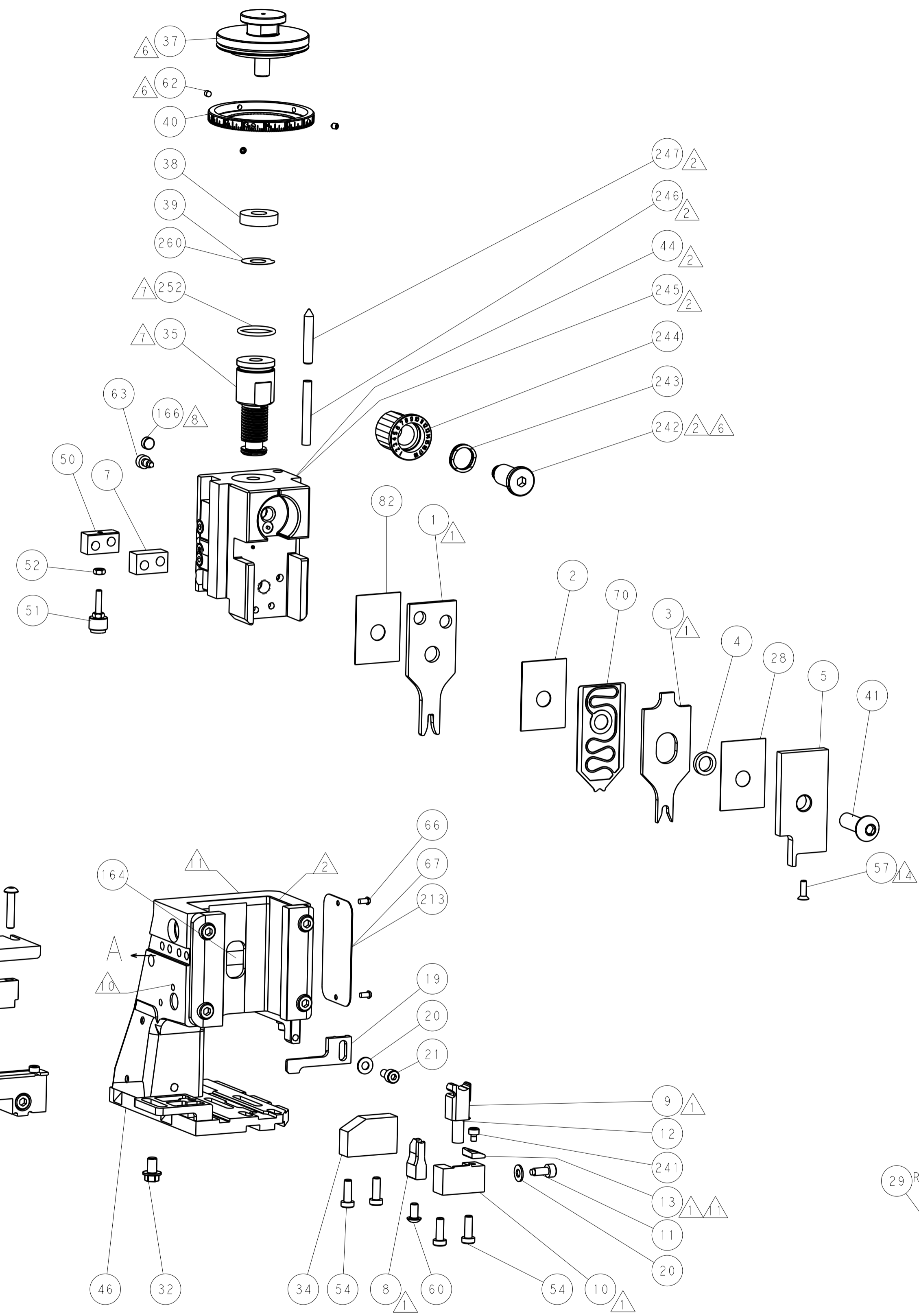
PNEUMATIC



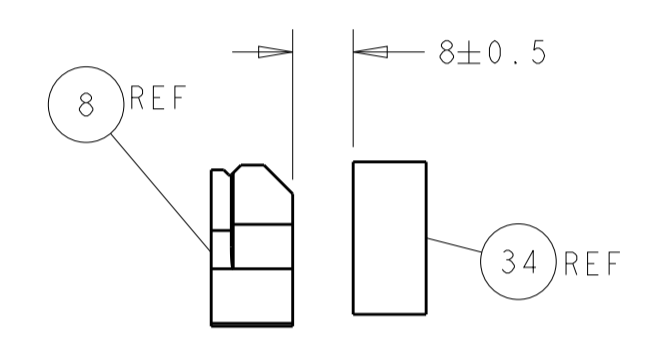
SERVO LATCH PLATE



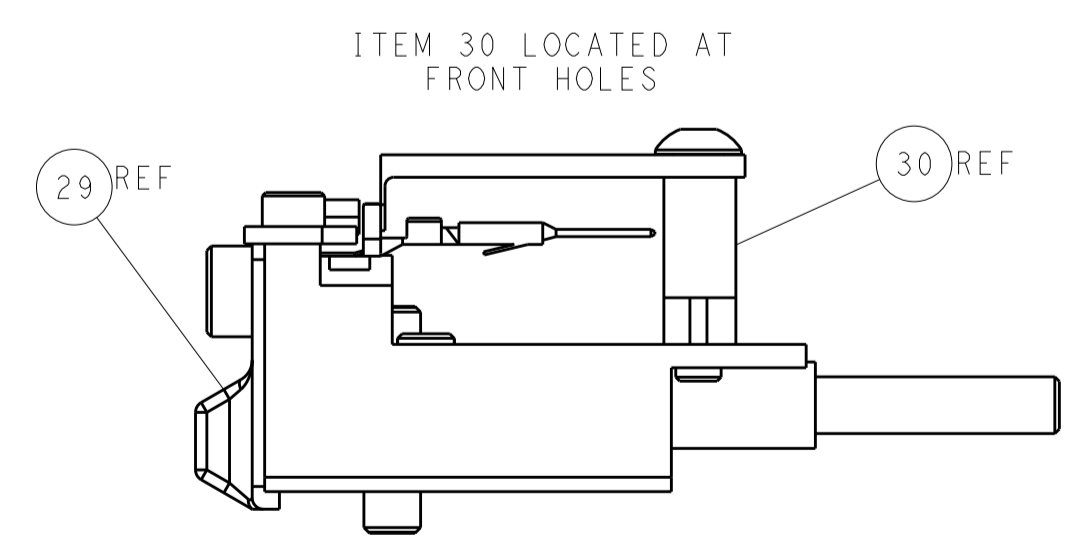
CAM POSITIONS



SHEAR DEPRESSOR DETAIL



TERMINAL SUPPORT LOCATION



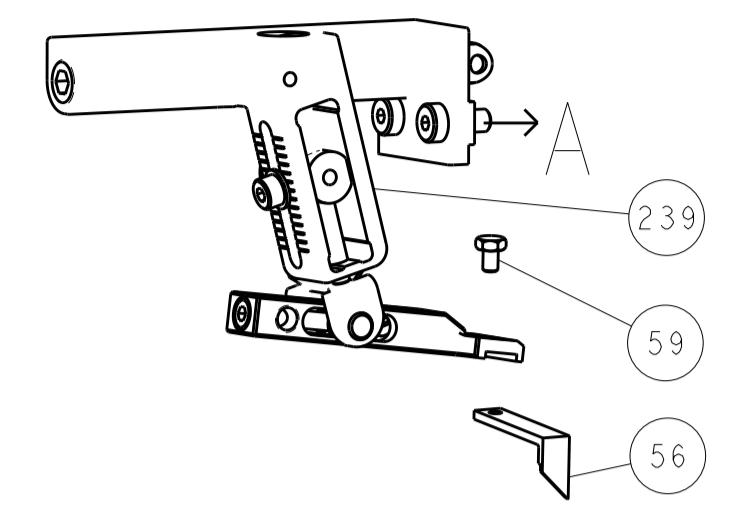
FEED TRACK POSITION GUIDE BY INSULATION BARREL

ATLANTIC VERSION
 Shown on sheets 1 of 4 & 2 of 4
 (Pacific version shown on sheets 3 of 4 & 4 of 4)

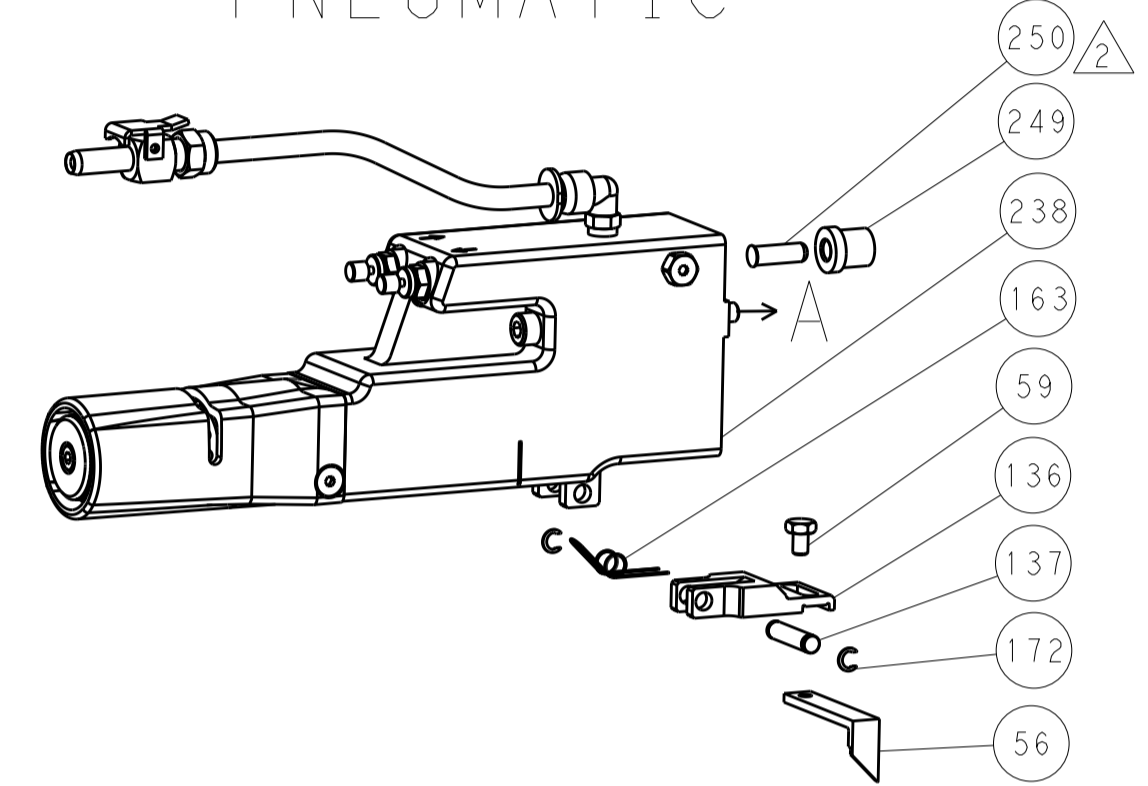
DIMENSIONS:		TOLERANCES UNLESS OTHERWISE SPECIFIED:		DWG: B. WEAVER 14JUN2016		TE Connectivity	
mm	0 PLC ±	1 PLC ±	2 PLC ±	3 PLC ±	4 PLC ±	Harrisburg, PA 17105-3608	
MATERIAL:		FINISH:		CHK: T. ELBIN 14JUN2016		NAME: Ocean Side Feed Applicator	
Customer Accessible Production Drawing		SCALE: 1:2		SHEET: 2 of 4		REV: A	

LOC	DIST	REV	DATE	BY	APPV
A	66				

FEED TYPE MECHANICAL



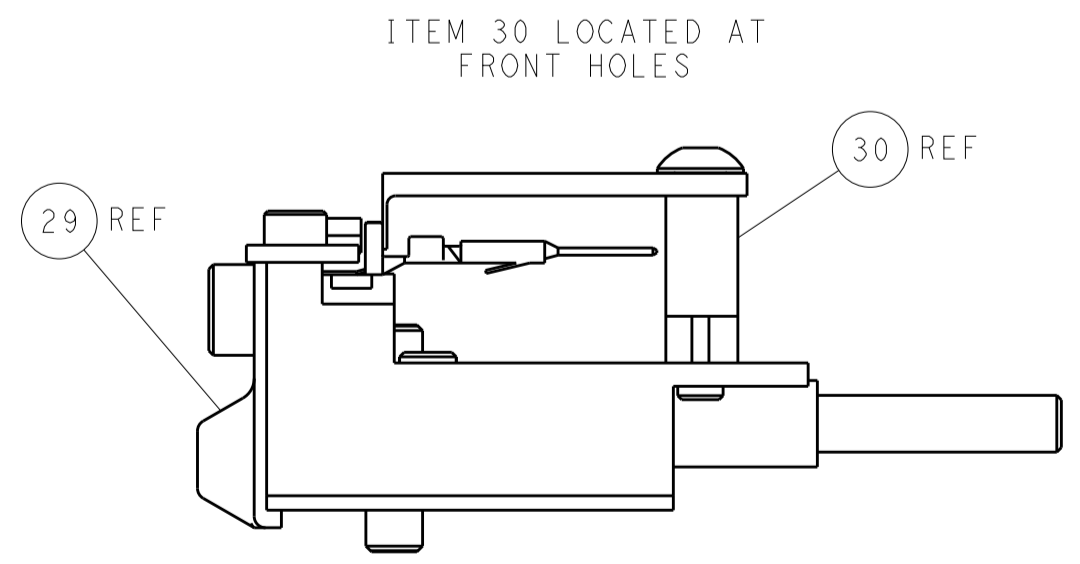
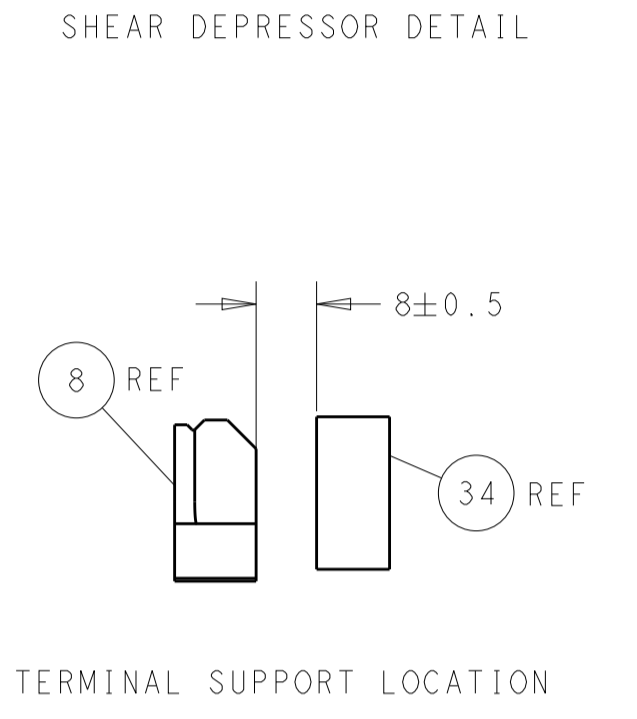
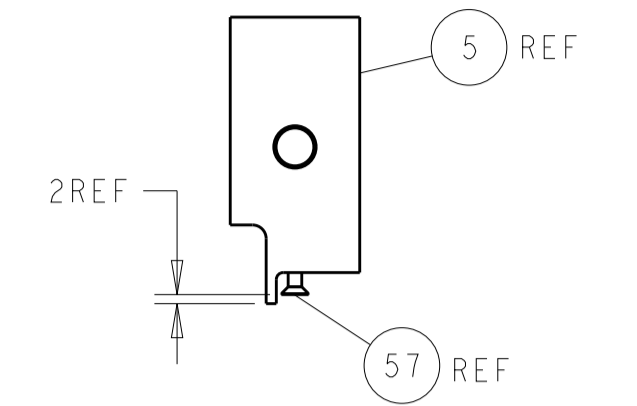
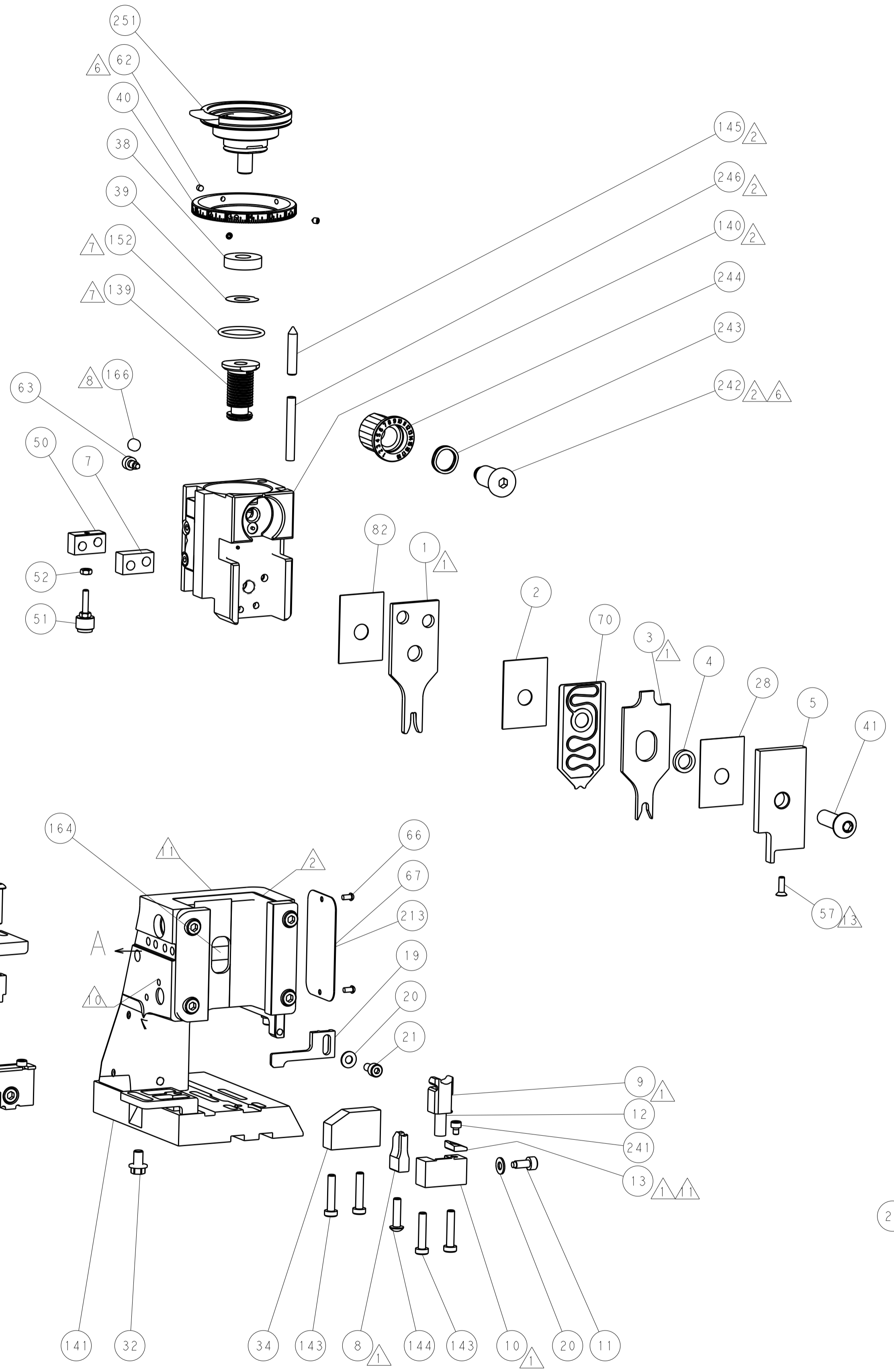
PNEUMATIC



SERVO LATCH PLATE



CAM POSITIONS



FEED TRACK POSITION
GUIDE BY INSULATION BARREL

PACIFIC VERSION
 Shown on sheets 3 of 4 & 4 of 4
 (Atlantic version shown on sheets 1 of 4 & 2 of 4)

DIMENSIONS: mm 		TOLERANCES UNLESS OTHERWISE SPECIFIED: 0 PLC ± 1 PLC ± 2 PLC ± 3 PLC ± 4 PLC ± ANGLES ± FINISH		DWN B. WEAVER 14JUN2016 CHK T. ELBIN 14JUN2016 APVD T. ELBIN 14JUN2016 PRODUCT SPEC APPLICATION SPEC WEIGHT Customer Accessible Production Drawing		NAME Ocean Side Feed Applicator SIZE CAGE CODE DRAWING NO A 00779 C=2836351 SCALE 1:2 SHEET 4 OF 4 REV A		RESTRICTED TO - - -	
-----------------------	--	---	--	--	--	---	--	------------------------------	--