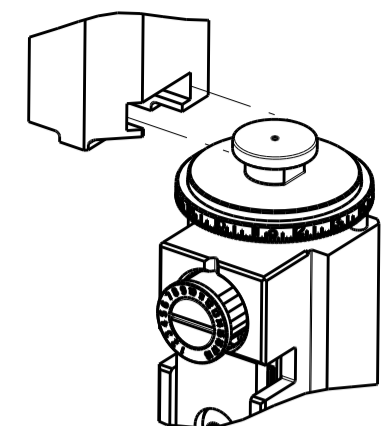


| PART NUMBER | REVISION | DESCRIPTION                     | FEED TYPE |
|-------------|----------|---------------------------------|-----------|
| 2836269-2   | B        | FINE CRIMP HEIGHT ADJUST        | PNEUMATIC |
| 7-2836269-2 | B        | PNEUMATIC AND CRIMP TOOLING KIT | PNEUMATIC |
| 7-2836269-7 | A        | CRIMP TOOLING KIT               | -         |

ATLANTIC VERSION TERMINATOR INTERFACE ADAPTER

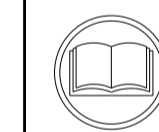


| APPLICATOR DATA |                |      |
|-----------------|----------------|------|
| CRIMP           | SIZE           | TYPE |
| WIRE            | 5.25 mm [.207] | F    |
| INSUL           | 6.30 mm [.248] | F    |

APPLICATOR INSTRUCTIONS 408-35042

| TERMINAL DATA: KET TERMINAL            |                      | KET CRIMP SPECIFICATION      |              |
|--|----------------------|------------------------------|--------------|
| TERMINAL NAME: 6.4 EARTH RING TERMINAL |                      |                              |              |
| WIRE STRIP LENGTH                      |                      | INSULATION DIAMETER RANGE    |              |
| 6.65-7.41 mm [.262-.292 IN]            |                      | ∅2.90-4.60 mm [.114-.181 IN] |              |
| TERMINAL APPLICATION SPECIFICATION     | ST710782 Rev 3/24/16 |                              |              |
| TERMINALS APPLIED                      |                      |                              |              |
| TE TERMINAL                            | KET TERMINAL         | TE TERMINAL                  | KET TERMINAL |
| 2113743-1                              | ST710782-3           |                              |              |

| WIRE SIZE | CRIMP HEIGHT mm [INCH]        | CRIMP HEIGHT REFERENCE SETTING |
|-----------|-------------------------------|--------------------------------|
| 5.00mm2   | 3.00 +/- 0.05 [.118 +/- .002] | 4.0                            |
| 3.00mm2   | 2.75 +/- 0.05 [.108 +/- .002] | 6.5                            |
| 2.50mm2   | 2.67 +/- 0.05 [.105 +/- .002] | 6.8                            |
| 2.00mm2   | 2.60 +/- 0.05 [.102 +/- .002] | 7.6                            |



- RECOMMENDED SPARE PARTS
  - REFER TO SUPPLIED INSTRUCTION SHEET FOR CLEANING, LUBRICATION AND STORAGE OF APPLICATOR.
  - APPLY PART NUMBER 2-23419-6 LOCTITE TO THREADS OF ITEM 242.
  - CRIMP HEIGHT REFERENCE SETTING WAS THE SETTING USED WHEN THE APPLICATOR WAS QUALIFIED AT THE FACTORY. ADJUSTMENT MAY BE NECESSARY WHEN RUNNING APPLICATOR IN THE FIELD.
  - TERMINAL PITCH NOT COMPATIBLE WITH MECHANICAL FEED.
  - TERMINAL LUBRICANT IS RECOMMENDED.
  - CRIMP HEIGHTS CALCULATED BY TE CONNECTIVITY.
8. UNLESS SPECIFIED OTHERWISE TORQUE VALUES SHALL BE USED PER DOCUMENT, 101-35000.

**\*WARNING**  
ON INSTALLATION, SET WIRE DISC TO CRIMP HEIGHT REFERENCE SETTING FOR LARGEST WIRE SIZE. CRIMP HEIGHT REFERENCE SETTINGS GREATER THAN THE VALUE SHOWN MAY CAUSE DAMAGE TO THE CRIMP TOOLING, REFER TO THE INSTRUCTION SHEET FOR PROPER SETUP AND ADJUSTMENTS.

| LOC | DIST | REVISIONS |     |               |           |     |      |
|-----|------|-----------|-----|---------------|-----------|-----|------|
|     |      | P         | LTN | DESCRIPTION   | DATE      | DMN | APVD |
| A   | 66   |           |     |               |           |     |      |
|     |      | 1         |     | DEVELOPMENT   | 07APR2016 | JH  | LZ   |
|     |      | A         |     | RELEASED      | 13MAY2016 | JH  | TE   |
|     |      | B         |     | ECR-19-016174 | 17OCT2019 | MZ  | YY   |

|   |     |     |             |                                     |     |
|---|-----|-----|-------------|-------------------------------------|-----|
| - | 2   | 2   | 2168083-1   | SCR, SKT HD CAP, RoHS, M3 X 8.0     | 269 |
| - | 1   | 1   | 1-1633782-2 | FENCE                               | 267 |
| - | 1   | 1   | 1803078-3   | SPACER, PRECISION                   | 259 |
| - | 1   | 1   | 2119641-1   | FEED CAM, AIR FEED                  | 248 |
| - | 1   | 1   | 2119082-7   | CAM, SNAIL, INSULATION ADJUSTMENT   | 244 |
| - | 1   | 1   | 2079764-1   | WASHER, WAVE SPRING, CREST-TO-CREST | 243 |
| - | 1   | 1   | 2119083-1   | RETAINER, INSULATION DIAL           | 242 |
| - | 1   | 1   | 7-18023-7   | SCR, SKT HD CAP M3 X 4.0            | 241 |
| - | 1   | 1   | 2844940-1   | AIR FEED MODULE                     | 238 |
| - | REF | REF | 994970-2    | COUNTER, MAGNETIC                   | 164 |
| - | 1   | 1   | 2119955-1   | ASSY, LUBRICATOR, SIDE FEED         | 113 |
| - | 1   | 1   | 2844908-1   | SCREW, LOCKING                      | 99  |
| - | 1   | 1   | 2844907-1   | POST, LOCKING                       | 98  |
| - | 1   | 1   | 455888-5    | SPACER, CRIMPER                     | 82  |
| - | 2   | 2   | 2079383-4   | SCR, BHSC, RoHS (M4 X 8)            | 79  |
| - | 1   | 1   | 1803096-1   | EXTENSION PLATE                     | 78  |
| - | 1   | 1   | 1803607-3   | DOCUMENTATION PACKAGE               | 71  |
| - | 1   | 1   | 2119740-1   | TAG, IDENTIFICATION                 | 67  |
| - | 2   | 2   | 2168078-1   | SCREW, DRIVE, RH, RoHS, 2 x .188    | 66  |
| - | 1   | 1   | 2168083-2   | SCR, SKT HD CAP, RoHS, M4 X 8.0     | 60  |
| - | 1   | 1   | 5-18022-5   | SCR, HEX HD CAP, M4 X 6.0           | 59  |
| - | 1   | 1   | 1338683-8   | FEED PAWL                           | 56  |
| - | 4   | 4   | 2168083-3   | SCR, SKT HD CAP, RoHS, M4 X 12.0    | 54  |
| - | 2   | 2   | 1-2168083-0 | SCR, SKT HD CAP, RoHS, M4 X 10      | 53  |
| - | 1   | 1   | 5018030-1   | NUT, HEX, REG, RoHS, M3             | 52  |
| - | 1   | 1   | 811242-5    | BUMPER, HOLD DOWN                   | 51  |
| - | 1   | 1   | 690753-2    | SPACER, TONKER                      | 50  |
| - | 1   | 1   | 18023-9     | SCR, SKT HD CAP M4 X 6.0            | 49  |
| - | 1   | 1   | 1803583-9   | APPLICATOR BASIC ASSEMBLY, SF       | 46  |
| - | 1   | 1   | 1803515-2   | RAM ASSEMBLY, SF ATLANTIC           | 44  |
| - | 1   | 1   | 1803602-2   | SCR, BHSC, RoHS (M8 X 40)           | 41  |
| - | 1   | 1   | 1752356-6   | SUPPORT, TERMINAL                   | 34  |
| - | 2   | 2   | 2079383-5   | SCR, BHSC, RoHS (M4 X 20)           | 33  |
| - | 2   | 2   | 2-2844962-3 | SPACER, CYLINDRICAL, STRIP GUIDE    | 30  |
| - | 1   | 1   | 2844992-9   | ASSEMBLY, STRIP GUIDE               | 29  |
| - | 1   | 1   | 455888-3    | SPACER, CRIMPER                     | 28  |
| - | 1   | 1   | 1320928-4   | STRIP GUIDE                         | 24  |
| - | 1   | 1   | 2168083-2   | SCR, SKT HD CAP, RoHS, M4 X 8.0     | 21  |
| - | 2   | 2   | 1-18028-2   | WASHER, FLAT, REG M4                | 20  |
| - | 1   | 1   | 2119533-2   | STRIPPER, SIDE FEED                 | 19  |
| - | 1   | 1   | 2119806-1   | INSERT, SHEAR                       | 13  |
| - | 1   | 1   | 4-22280-7   | SPRING, COMPRESSION                 | 12  |
| - | 1   | 1   | 1-356885-4  | STOP, SHEAR                         | 11  |
| - | 1   | 1   | 2119805-1   | SHEAR HOLDER, FRONT                 | 10  |
| - | 1   | 1   | 454276-5    | FLOATING SHEAR, FRONT               | 9   |
| - | 1   | 2   | 1-1803058-7 | ANVIL, COMBINATION                  | 8   |
| - | -   | -   | -           | -                                   | 7   |
| - | -   | -   | -           | -                                   | 6   |
| - | 1   | 1   | 1-2119757-0 | DEPRESSOR, SHEAR                    | 5   |
| - | 1   | 1   | 4-238011-2  | BLOCK, CRIMPER SPACER               | 4   |
| - | 1   | 2   | 1-1803187-8 | CRIMPER, INSULATION F               | 3   |
| - | 1   | 1   | 1-455888-8  | SPACER, CRIMPER                     | 2   |
| - | 1   | 2   | 1-1803241-1 | CRIMPER, WIRE F                     | 1   |

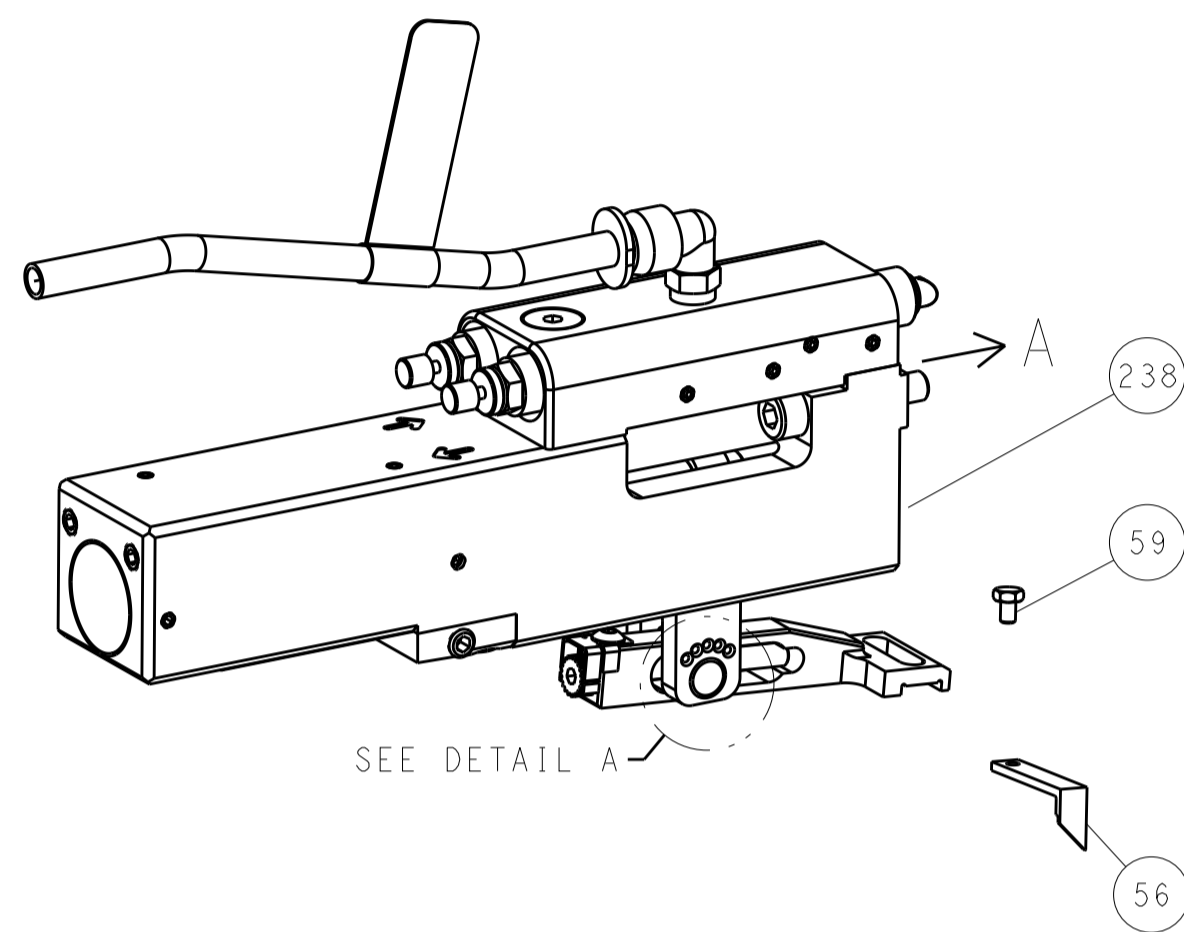
| DIMENSIONS: |         | TOLERANCES UNLESS OTHERWISE SPECIFIED: |         | DWG     |         | NAME            |                            |
|-------------|---------|--|---------|---------|---------|-----------------|----------------------------|
| mm          | 0 PLC ± | 1 PLC ±                                | 2 PLC ± | 3 PLC ± | 4 PLC ± | APVD            | TE Connectivity            |
|             | ANGLES  | FINISH                                 |         | CHK     |         | TE Connectivity | Harrisburg, PA 17105-3608  |
| MATERIAL    |         |  |         | APVD    |         | NAME            | Ocean Side Feed Applicator |
|             |         |  |         | CHK     |         | SIZE            | CAGE CODE DRAWING NO       |
|             |         |  |         | APVD    |         | WEIGHT          | 00779                      |
|             |         |  |         | CHK     |         | SCALE           | 1:2                        |
|             |         |  |         | APVD    |         | SHEET           | 1 OF 4                     |
|             |         |  |         | CHK     |         | REV             | B                          |

ATLANTIC VERSION  
Shown on sheets 1 of 4 & 2 of 4  
(Pacific version shown on sheets 3 of 4 & 4 of 4)

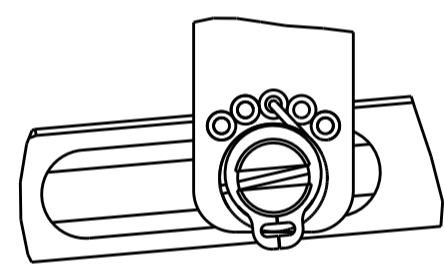
| LOC | DIST | REVISIONS |     |             |      |     |      |
|-----|------|-----------|-----|-------------|------|-----|------|
|     |      | P         | LTN | DESCRIPTION | DATE | DMN | APVD |
| A   | 66   | -         | -   | SEE SHEET 1 | -    | -   | -    |

# FEED TYPE

## PNEUMATIC

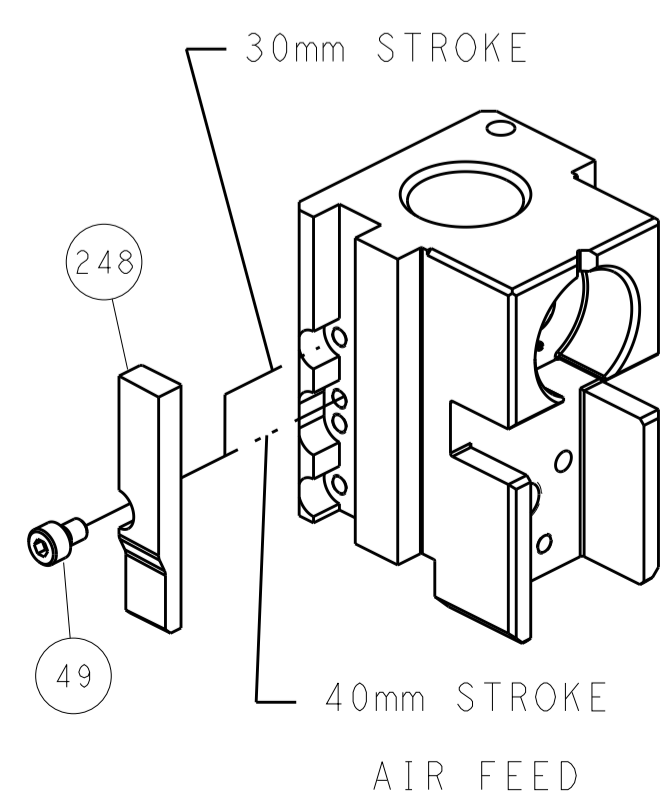


FEED SPRING SETTING POSITION  
(SHOWN FROM REAR SIDE)

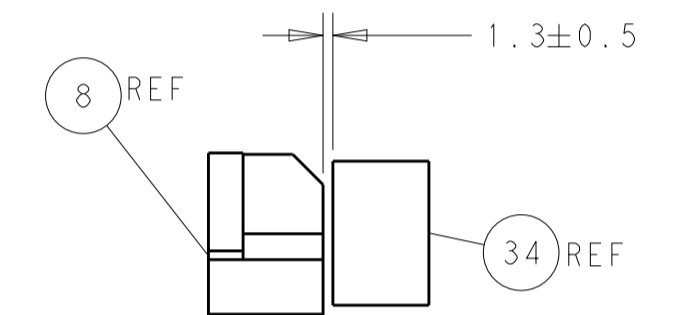
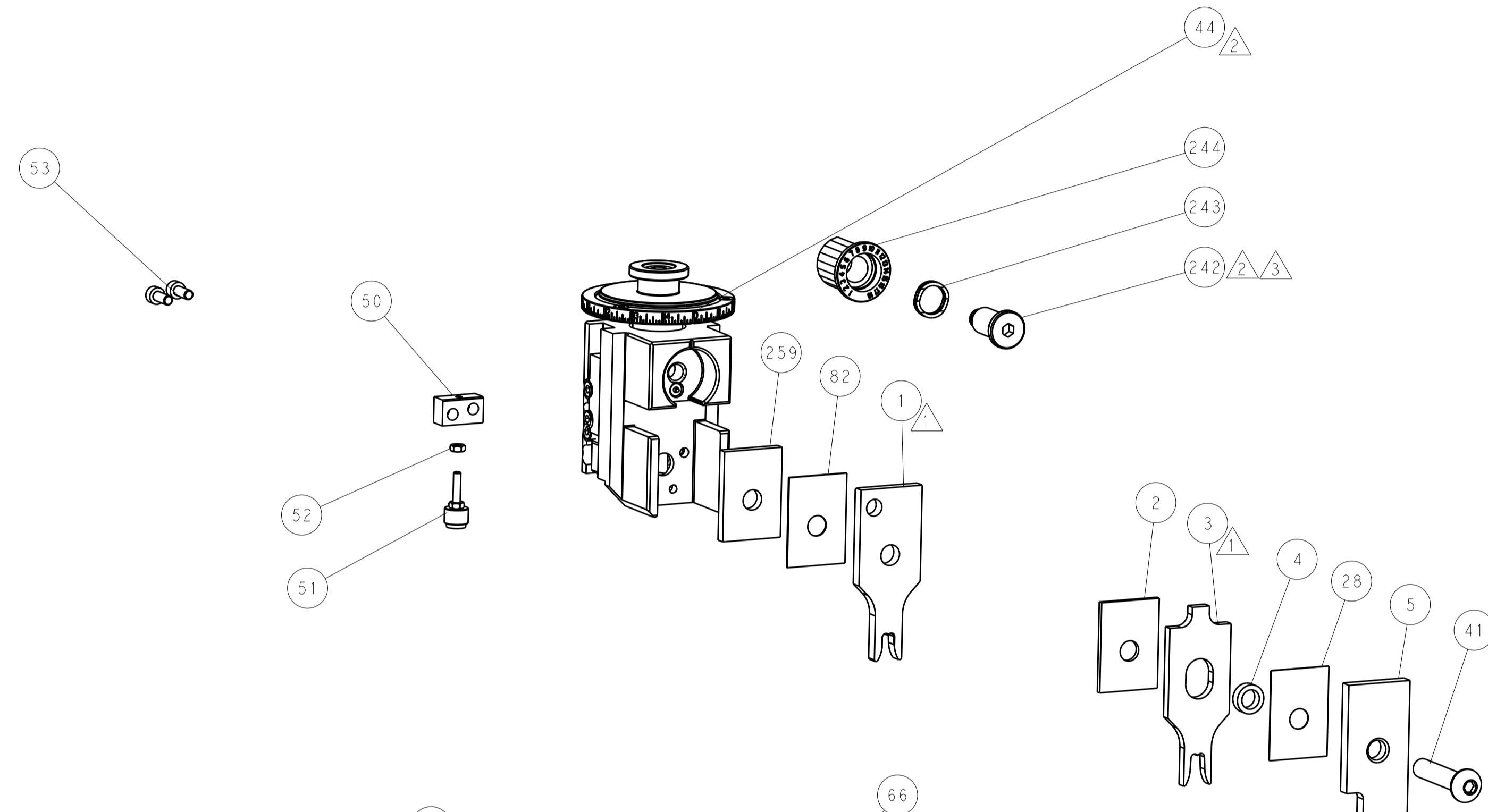


DETAIL A

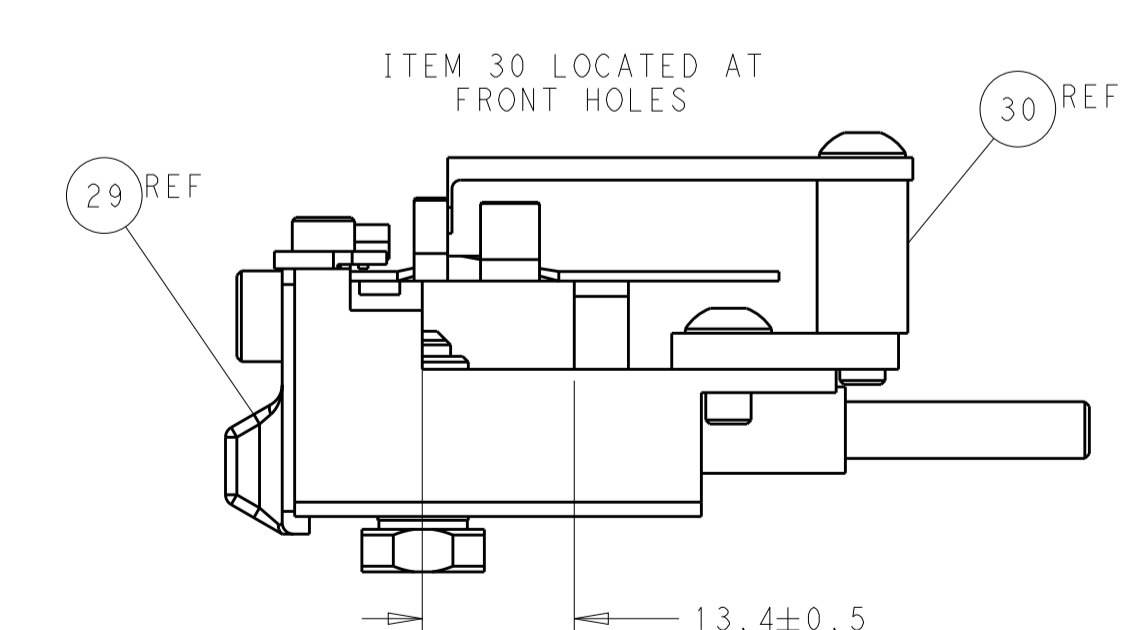
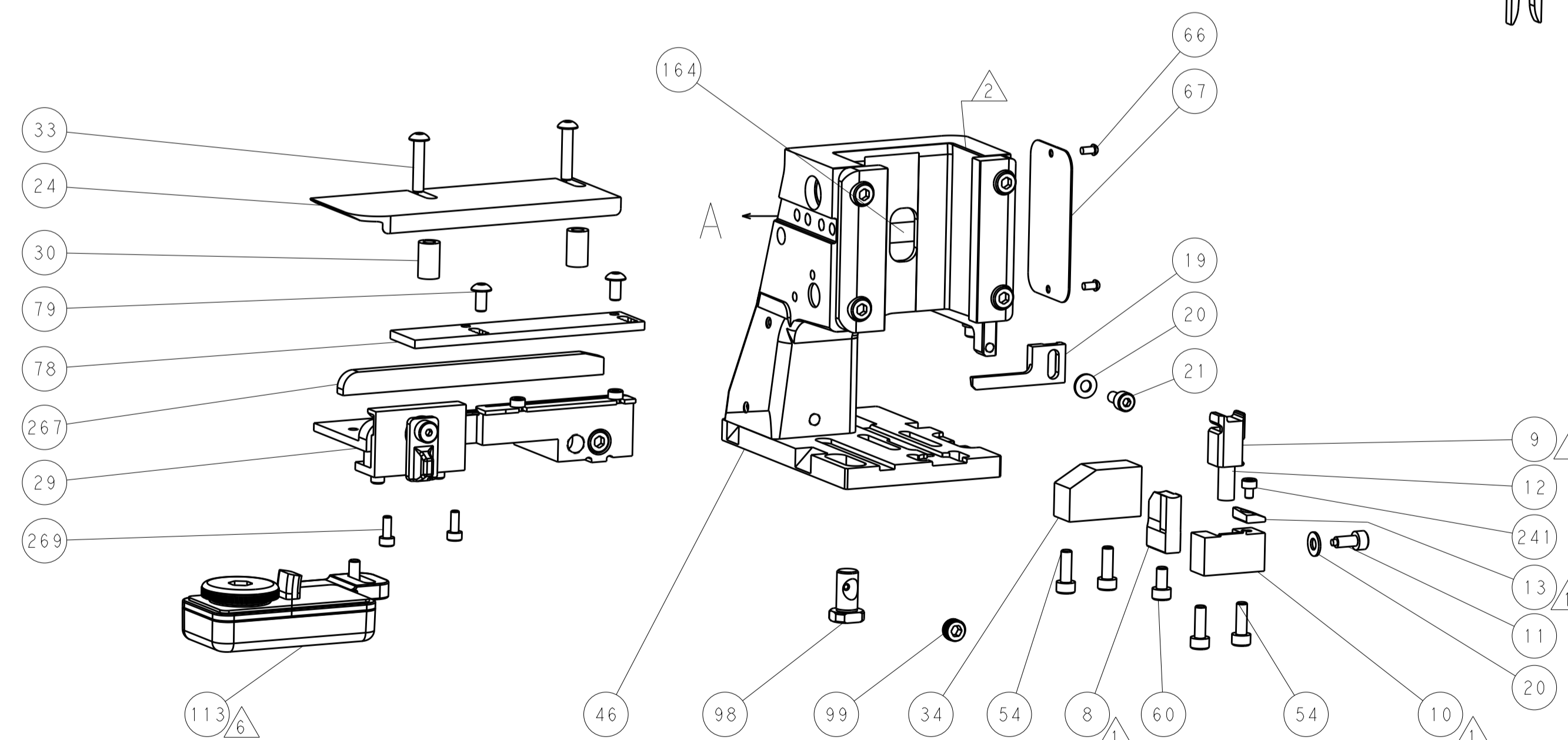
## CAM POSITION



AIR FEED



TERMINAL SUPPORT LOCATION



FEED TRACK POSITION  
GUIDE BY INSULATION BARREL

**ATLANTIC VERSION**  
 Shown on sheets 1 of 4 & 2 of 4  
 (Pacific version shown on sheets 3 of 4 & 4 of 4)

|  |  |   |                                  |  |
|--|--|---|----------------------------------|--|
| <small>THE INFORMATION CONTAINED HEREIN IS UNCLASSIFIED EXCEPT WHERE SHOWN OTHERWISE. IT IS SUBJECT TO CHANGE WITHOUT NOTICE AND WITHOUT LIABILITY. THE INFORMATION CONTAINED HEREIN IS UNCLASSIFIED EXCEPT WHERE SHOWN OTHERWISE.</small> |  | DWN: J. HOU<br>CHK: L. ZHANG<br>APVD: L. ZHANG  | TAPR2016<br>TAPR2016<br>TAPR2016 | TE Connectivity<br>Harrisburg, PA 17105-3608 |
| DIMENSIONS: mm<br>TOLERANCES UNLESS OTHERWISE SPECIFIED:<br>0 PLC ±<br>1 PLC ±<br>2 PLC ±<br>3 PLC ±<br>4 PLC ±<br>ANGLES ±  |  | NAME: Ocean Side Feed Applicator<br>PRODUCT SPEC:<br>APPLICATION SPEC:<br>SIZE: A1<br>CAGE CODE: 00779<br>DRAWING NO: 2836269<br>RESTRICTED TO: |                                  |  |
| MATERIAL:  |  | WEIGHT: Customer Accessible Production Drawing<br>SCALE: 1:2<br>SHEET: 2 OF 4<br>REV: B   |                                  |  |

| PART NUMBER | REVISION | DESCRIPTION              | FEED TYPE |
|-------------|----------|--------------------------|-----------|
| 2-2836269-2 | B        | FINE CRIMP HEIGHT ADJUST | PNEUMATIC |
| 7-2836269-7 | A        | CRIMP TOOLING KIT        | -         |

PACIFIC VERSION TERMINATOR  
INTERFACE ADAPTER



| APPLICATOR DATA                      |                  |      |
|--------------------------------------|------------------|------|
| CRIMP                                | SIZE             | TYPE |
| WIRE                                 | 5.25 mm [ .207 ] | F    |
| INSUL                                | 6.30 mm [ .248 ] | F    |
| APPLICATOR INSTRUCTIONS<br>408-35042 |                  |      |

|  |                      |                                |              |
|--|----------------------|--------------------------------|--------------|
| TERMINAL DATA: KET TERMINAL            |                      | KET CRIMP SPECIFICATION        |              |
| TERMINAL NAME: 6.4 EARTH RING TERMINAL |                      |                                |              |
| WIRE STRIP LENGTH                      |                      | INSULATION DIAMETER RANGE      |              |
| 6.65-7.41 mm [ .262-.292 IN ]          |                      | Ø2.90-4.60 mm [ .114-.181 IN ] |              |
| TERMINAL APPLICATION SPECIFICATION     | ST710782 Rev 3/24/16 |                                |              |
| TERMINALS APPLIED                      |                      |                                |              |
| TE TERMINAL                            | KET TERMINAL         | TE TERMINAL                    | KET TERMINAL |
| 2113743-1                              | ST710782-3           |                                |              |

| WIRE SIZE | CRIMP HEIGHT mm [INCH]          | CRIMP HEIGHT REFERENCE SETTING |
|-----------|---------------------------------|--------------------------------|
| 5.00mm2   | 3.00 +/- 0.05 [ .118 +/- .002 ] | 4.0                            |
| 3.00mm2   | 2.75 +/- 0.05 [ .108 +/- .002 ] | 6.5                            |
| 2.50mm2   | 2.67 +/- 0.05 [ .105 +/- .002 ] | 6.8                            |
| 2.00mm2   | 2.60 +/- 0.05 [ .102 +/- .002 ] | 7.6                            |



- 1 RECOMMENDED SPARE PARTS
- 2 REFER TO SUPPLIED INSTRUCTION SHEET FOR CLEANING, LUBRICATION AND STORAGE OF APPLICATOR.
- 3 APPLY PART NUMBER 2-23419-6 LOCTITE TO THREADS OF ITEM 242.
- 4 CRIMP HEIGHT REFERENCE SETTING WAS THE SETTING USED WHEN THE APPLICATOR WAS QUALIFIED AT THE FACTORY. ADJUSTMENT MAY BE NECESSARY WHEN RUNNING APPLICATOR IN THE FIELD.
- 5 TERMINAL PITCH NOT COMPATIBLE WITH MECHANICAL FEED.
- 6 TERMINAL LUBRICANT IS RECOMMENDED.
- 7 CRIMP HEIGHTS CALCULATED BY TE CONNECTIVITY.
- 8. UNLESS SPECIFIED OTHERWISE TORQUE VALUES SHALL BE USED PER DOCUMENT, 101-35000.

**\*WARNING**  
ON INSTALLATION, SET WIRE DISC TO CRIMP HEIGHT REFERENCE SETTING FOR LARGEST WIRE SIZE. CRIMP HEIGHT REFERENCE SETTINGS GREATER THAN THE VALUE SHOWN MAY CAUSE DAMAGE TO THE CRIMP TOOLING, REFER TO THE INSTRUCTION SHEET FOR PROPER SETUP AND ADJUSTMENTS.

| LOC | DIST | REV | DATE | BY | APPV |
|-----|------|-----|------|----|------|
| A   | 66   |     |      |    |      |

| REVISIONS |      |             |      |    |      |
|-----------|------|-------------|------|----|------|
| REV       | DATE | DESCRIPTION | DATE | BY | APPV |
| -         | -    | SEE SHEET 1 | -    | -  | -    |

|   |     |             |                                     |     |
|---|-----|-------------|-------------------------------------|-----|
| - | 2   | 2168083-1   | SCR, SKT HD CAP, RoHS, M3 X 8.0     | 269 |
| - | 1   | 1-1633782-2 | FENCE                               | 267 |
| - | 1   | 1803078-3   | SPACER, PRECISION                   | 259 |
| - | 1   | 2119082-7   | CAM, SNAIL, INSULATION ADJUSTMENT   | 244 |
| - | 1   | 2079764-1   | WASHER, WAVE SPRING, CREST-TO-CREST | 243 |
| - | 1   | 2119083-1   | RETAINER, INSULATION DIAL           | 242 |
| - | 1   | 7-18023-7   | SCR, SKT HD CAP M3 X 4.0            | 241 |
| - | 1   | 2844940-1   | AIR FEED MODULE                     | 238 |
| - | REF | 994970-2    | COUNTER, MAGNETIC                   | 164 |
| - | 1   | 2119641-2   | FEED CAM, AIR FEED                  | 151 |
| - | 1   | 2168083-8   | SCR, SKT HD CAP, RoHS, M4 X 16      | 144 |
| - | 4   | 2168083-9   | SCR, SKT HD CAP, RoHS, M4 X 20      | 143 |
| - | 1   | 1-1803583-0 | APPLICATOR BASIC ASSEMBLY, SF       | 141 |
| - | 1   | 1803516-2   | RAM ASSEMBLY, SF PACIFIC            | 140 |
| - | 1   | 2119955-1   | ASSY, LUBRICATOR, SIDE FEED         | 113 |
| - | 1   | 2844908-1   | SCREW, LOCKING                      | 99  |
| - | 1   | 2844907-1   | POST, LOCKING                       | 98  |
| - | 1   | 455888-5    | SPACER, CRIMPER                     | 82  |
| - | 2   | 2079383-4   | SCR, BHSC, RoHS (M4 X 8)            | 79  |
| - | 1   | 1803096-1   | EXTENSION PLATE                     | 78  |
| - | 1   | 1803607-3   | DOCUMENTATION PACKAGE               | 71  |
| - | 1   | 2119740-1   | TAG, IDENTIFICATION                 | 67  |
| - | 2   | 2168078-1   | SCREW, DRIVE, RH, RoHS, 2 x .188    | 66  |
| - | 1   | 5-18022-5   | SCR, HEX HD CAP, M4 X 6.0           | 59  |
| - | 1   | 1338683-8   | FEED PAWL                           | 56  |
| - | 2   | 1-2168083-0 | SCR, SKT HD CAP, RoHS, M4 X 10      | 53  |
| - | 1   | 5018030-1   | NUT, HEX, REG, RoHS, M3             | 52  |
| - | 1   | 811242-5    | BUMPER, HOLD DOWN                   | 51  |
| - | 1   | 690753-2    | SPACER, TONKER                      | 50  |
| - | 1   | 18023-9     | SCR, SKT HD CAP M4 X 6.0            | 49  |
| - | 1   | 1803602-2   | SCR, BHSC, RoHS (M8 X 40)           | 41  |
| - | 1   | 1752356-6   | SUPPORT, TERMINAL                   | 34  |
| - | 2   | 2079383-5   | SCR, BHSC, RoHS (M4 X 20)           | 33  |
| - | 2   | 2-2844962-3 | SPACER, CYLINDRICAL, STRIP GUIDE    | 30  |
| - | 1   | 2844992-9   | ASSEMBLY, STRIP GUIDE               | 29  |
| - | 1   | 455888-3    | SPACER, CRIMPER                     | 28  |
| - | 1   | 1320928-4   | STRIP GUIDE                         | 24  |
| - | 1   | 2168083-2   | SCR, SKT HD CAP, RoHS, M4 X 8.0     | 21  |
| - | 2   | 1-18028-2   | WASHER, FLAT, REG M4                | 20  |
| - | 1   | 2119533-2   | STRIPPER, SIDE FEED                 | 19  |
| - | 1   | 2119806-1   | INSERT, SHEAR                       | 13  |
| - | 1   | 4-22280-7   | SPRING, COMPRESSION                 | 12  |
| - | 1   | 1-356885-4  | STOP, SHEAR                         | 11  |
| - | 1   | 2119805-1   | SHEAR HOLDER, FRONT                 | 10  |
| - | 1   | 454276-5    | FLOATING SHEAR, FRONT               | 9   |
| 1 | 1   | 3-1803058-7 | ANVIL, COMBINATION                  | 8   |
| - | -   | -           | -                                   | 7   |
| - | -   | -           | -                                   | 6   |
| - | 1   | 1-2119757-0 | DEPRESSOR, SHEAR                    | 5   |
| - | 1   | 4-238011-2  | BLOCK, CRIMPER SPACER               | 4   |
| 1 | 1   | 6-1803187-8 | CRIMPER, INSULATION F               | 3   |
| - | 1   | 1-455888-8  | SPACER, CRIMPER                     | 2   |
| 1 | 1   | 4-1803241-1 | CRIMPER, WIRE F                     | 1   |

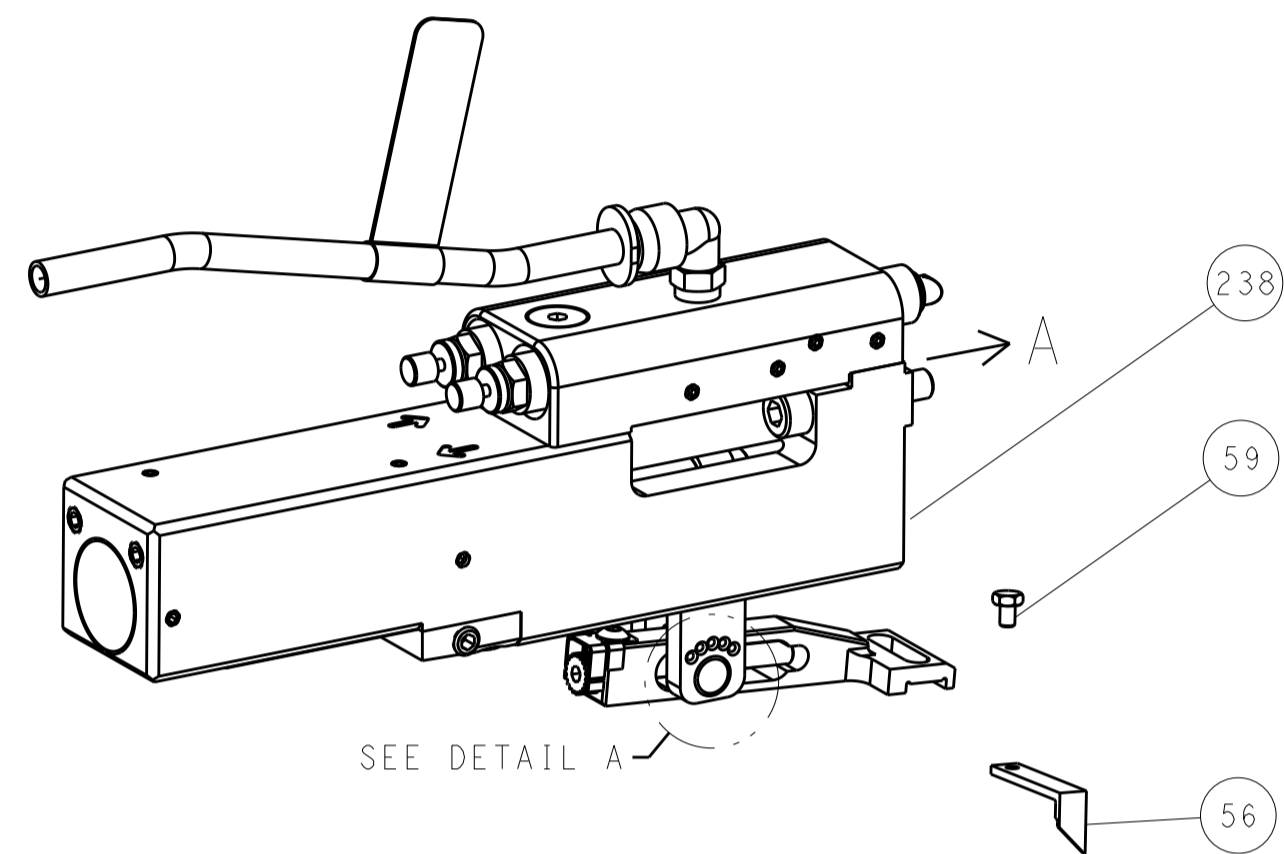
PACIFIC VERSION  
Shown on sheets 3 of 4 & 4 of 4  
(Atlantic version shown on sheets 1 of 4 & 2 of 4)

|             |         |  |         |                      |         |                        |        |                         |                  |                                  |                  |
|-------------|---------|--|---------|----------------------|---------|------------------------|--------|-------------------------|------------------|----------------------------------|------------------|
| DIMENSIONS: |         | TOLERANCES UNLESS OTHERWISE SPECIFIED: |         | DWG: J. HOU TAPR2016 |         | CHK: L. ZHANG TAPR2016 |        | APVD: L. ZHANG TAPR2016 |                  | NAME: Ocean Side Feed Applicator |                  |
| mm          | 0 PLC ± | 1 PLC ±                                | 2 PLC ± | 3 PLC ±              | 4 PLC ± | ANGLES ±               | FINISH | SIZE: A1                | CAGE CODE: 00779 | DRAWING NO: C=2836269            | RESTRICTED TO: - |
| MATERIAL: - |         |  |         |                      |         |                        |        | WEIGHT: -               |                  | SCALE: 1:2 SHEET 3 OF 4 REV B    |                  |

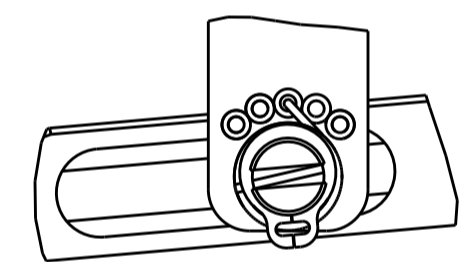
| LOC |    | DIST |     | REVISIONS   |      |     |      |
|-----|----|------|-----|-------------|------|-----|------|
| A   | 66 | P    | LTH | DESCRIPTION | DATE | DWN | APVD |
|     |    | -    |     | SEE SHEET 1 |      |     |      |

# FEED TYPE

## PNEUMATIC

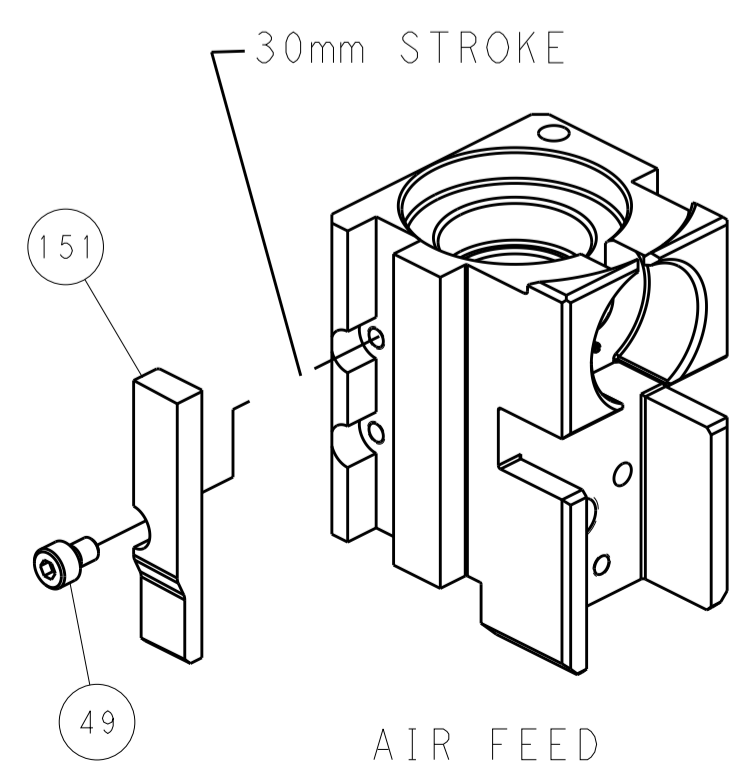


## FEED SPRING SETTING POSITION (SHOWN FROM REAR SIDE)

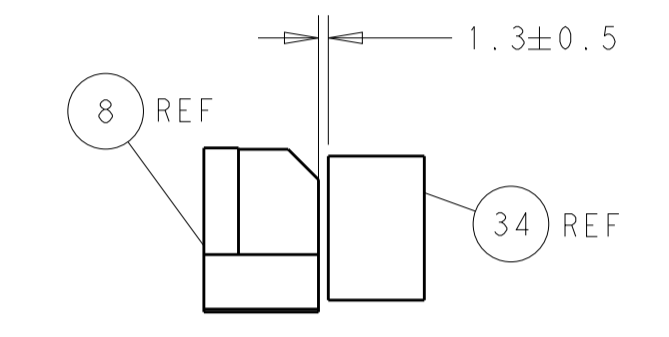
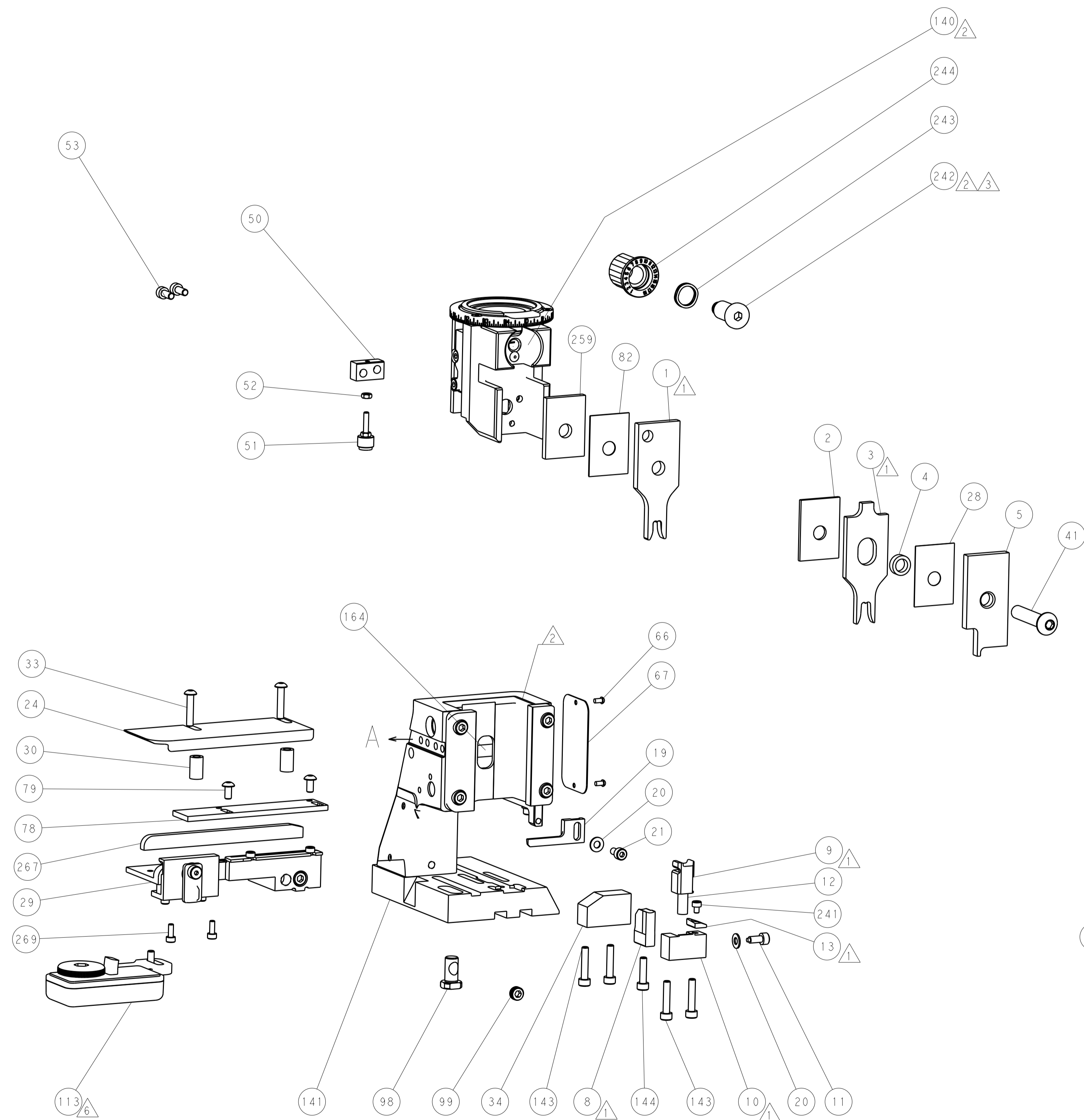


DETAIL A

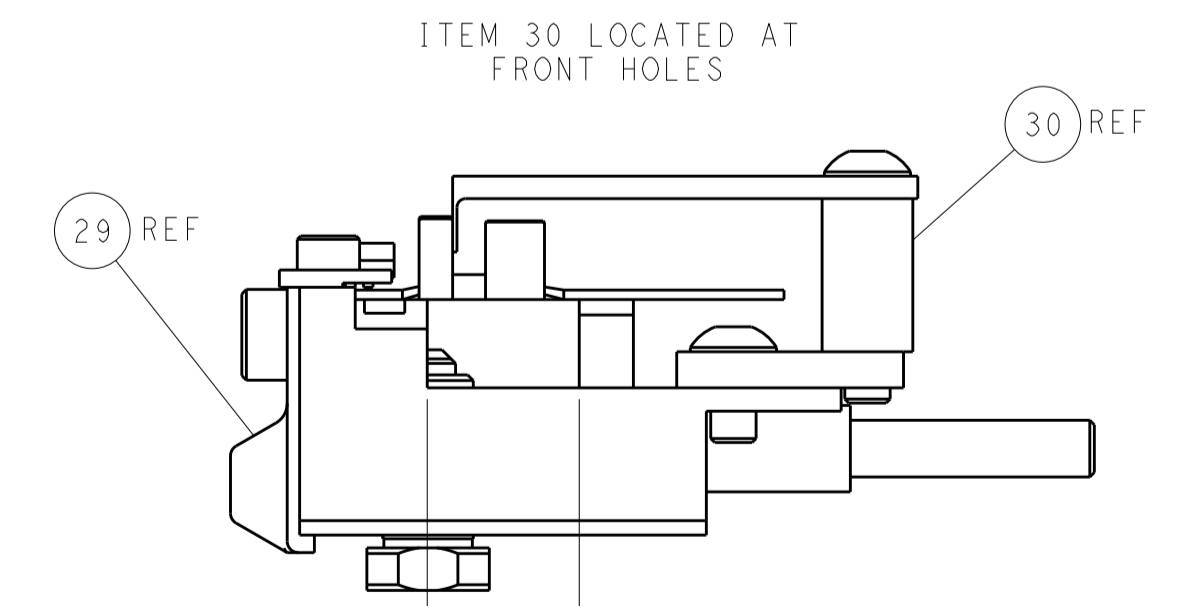
## CAM POSITION



AIR FEED



TERMINAL SUPPORT LOCATION



FEED TRACK POSITION GUIDE BY INSULATION BARREL

**PACIFIC VERSION**  
 Shown on sheets 3 of 4 & 4 of 4  
 (Atlantic version shown on sheets 1 of 4 & 2 of 4)

|   |  |  |   |  |
|---|--|--|---|--|
| <small>THIS DRAWING IS UNPUBLISHED. RELEASED FOR PUBLICATION. IT IS THE PROPERTY OF TYCO ELECTRONICS CORPORATION. IT IS SUBJECT TO CHANGE AND WITHOUT WARRANTY OF MERCHANTABILITY. SHOULD BE CONTACTED FOR THE LATEST REVISION.</small> |  | DWN: J. HOU<br>CHK: L. ZHANG<br>APVD: L. ZHANG | TAPR2016<br>TAPR2016<br>TAPR2016                      | TE Connectivity<br>Harrisburg, PA 17105-3608 |
| DIMENSIONS: mm<br>TOLERANCES UNLESS OTHERWISE SPECIFIED:<br>0 PLC ±<br>1 PLC ±<br>2 PLC ±<br>3 PLC ±<br>4 PLC ±<br>ANGLES ±   |  | PRODUCT SPEC<br>APPLICATION SPEC               | NAME: Ocean Side Feed Applicator                      | RESTRICTED TO:                               |
| MATERIAL:   |  | WEIGHT:  | SIZE: A1<br>CAGE CODE: 00779<br>DRAWING NO: C=2836269 | SCALE: 1:2<br>SHEET: 4 of 4<br>REV: B        |