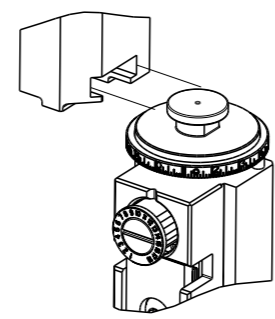


THIS DRAWING IS UNPUBLISHED.	RELEASED FOR PUBLICATION	2016	
COPYRIGHT 2016 BY TYCO ELECTRONICS CORPORATION. ALL RIGHTS RESERVED.			
PART NUMBER	REVISION	DESCRIPTION	FEED TYPE
2836232-2	E	FINE CRIMP HEIGHT ADJUST	PNEUMATIC
7-2836232-2	E	PNEUMATIC AND CRIMP TOOLING KIT	PNEUMATIC
7-2836232-7	A	CRIMP TOOLING KIT	-

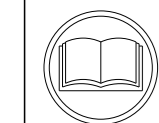
ATLANTIC VERSION TERMINATOR INTERFACE ADAPTER



APPLICATOR DATA		
CRIMP	SIZE	TYPE
WIRE	3.10 mm [.122]	F
INSUL	3.94 mm [.155]	F
APPLICATOR INSTRUCTIONS 408-35042		

TERMINAL DATA: DELPHI TERMINAL DELPHI PACKARD CRIMP SPECIFICATION			
TERMINAL NAME: TAXI TERM F 56 TERMINAL			
WIRE STRIP LENGTH		INSULATION DIAMETER RANGE	
4.51-5.27 mm [.177-.207 IN]		∅2.48-3.05 mm [.098-.120 IN]	
TERMINAL APPLICATION SPECIFICATION		TO-14FDT56	
TERMINALS APPLIED			
TE TERMINAL	DELPHI TERMINAL	TE TERMINAL	DELPHI TERMINAL
1572703-1	2965867	1572703-5	2965399
1572703-2	2962952	1572703-6	2962447
1572703-3	2965728	1572703-7	2965142
1572703-4	2977936		

WIRE SIZE	CRIMP HEIGHT mm [INCH]	CRIMP HEIGHT REFERENCE SETTING
14 AWG	1.70 +/- 0.05 [.067 +/- .002]	7.0
16 AWG	1.65 +/- 0.05 [.065 +/- .002]	7.8



- RECOMMENDED SPARE PARTS
 - REFER TO SUPPLIED INSTRUCTION SHEET FOR CLEANING, LUBRICATION AND STORAGE OF APPLICATOR.
 - APPLY PART NUMBER 2-23419-6 LOCTITE TO THREADS OF ITEM 242.
 - CRIMP HEIGHT REFERENCE SETTING WAS THE SETTING USED WHEN THE APPLICATOR WAS QUALIFIED AT THE FACTORY. ADJUSTMENT MAY BE NECESSARY WHEN RUNNING APPLICATOR IN THE FIELD.
 - TERMINAL PITCH NOT COMPATIBLE WITH MECHANICAL FEED.
 - TERMINAL LUBRICANT IS RECOMMENDED.
7. UNLESS SPECIFIED OTHERWISE TORQUE VALUES SHALL BE USED PER DOCUMENT, 101-35000.

***WARNING**
ON INSTALLATION, SET WIRE DISC TO CRIMP HEIGHT REFERENCE SETTING FOR LARGEST WIRE SIZE. CRIMP HEIGHT REFERENCE SETTINGS GREATER THAN THE VALUE SHOWN MAY CAUSE DAMAGE TO THE CRIMP TOOLING, REFER TO THE INSTRUCTION SHEET FOR PROPER SETUP AND ADJUSTMENTS.

LOC	DIST	REVISIONS					
A	66	P	LYR	DESCRIPTION	DATE	OWN	APVD
		B		ECR-17-014683	05OCT2017	TB	TE
		C		ECR-18-004306	22MAR2018	MZ	KZ
		D		ECR-19-011547	23JUL2019	FJ	GB
		E		ECR-19-012777	13AUG2019	LG	TE

-	1	1	2119641-1	FEED CAM, AIR FEED	248	
-	1	1	2119082-4	CAM, SNAIL, INSULATION ADJUSTMENT	244	
-	1	1	2079764-1	WASHER, WAVE SPRING, CREST-TO-CREST	243	
	-	1	1	2119083-1	RETAINER, INSULATION DIAL	242
-	1	1	2844940-1	AIR FEED MODULE	238	
-	1	1	1-356885-1	STOP, SHEAR	237	
-	REF	REF	994970-2	COUNTER, MAGNETIC	164	
-	1	1	1-22281-8	SPRING, COMPRESSION	121	
	-	1	1	2119955-1	ASSY, LUBRICATOR, SIDE FEED	113
-	1	1	2844908-1	SCREW, LOCKING	99	
-	1	1	2844907-1	POST, LOCKING	98	
-	1	1	1803258-1	FRONT STRIP GUIDE	96	
-	1	1	2168083-6	SCR, SKT HD CAP, RoHS, M5 X 6.5	93	
-	2	2	1-2168083-3	SCR, SKT HD CAP, RoHS, M3 X 16	85	
-	1	1	455888-6	SPACER, CRIMPER	82	
-	1	1	8-240641-5	SPACER	81	
-	1	1	1803607-3	DOCUMENTATION PACKAGE	71	
-	1	1	2119740-1	TAG, IDENTIFICATION	67	
-	2	2	2168078-1	SCREW, DRIVE, RH, RoHS, 2 x .188	66	
-	2	2	2-18032-5	SCR, SET, FLT PNT, M5 X 20.0	61	
-	1	1	2168083-2	SCR, SKT HD CAP, RoHS, M4 X 8.0	60	
-	1	1	5-18022-5	SCR, HEX HD CAP, M4 X 6.0	59	
-	1	1	1-1338683-0	FEED PAWL	56	
-	2	2	2168083-3	SCR, SKT HD CAP, RoHS, M4 X 12.0	54	
-	2	2	2168083-9	SCR, SKT HD CAP, RoHS, M4 X 20	53	
-	1	1	18023-9	SCR, SKT HD CAP M4 X 6.0	49	
-	1	1	1803583-9	APPLICATOR BASIC ASSEMBLY, SF	46	
-	1	1	1803515-1	RAM ASSEMBLY, SF ATLANTIC	44	
-	1	1	1803602-1	SCR, BHSC, RoHS (M8 X 25)	41	
-	2	2	2168083-1	SCR, SKT HD CAP, RoHS, M3 X 8.0	33	
-	1	1	2305692-8	PLATE, REAR STRIP GUIDE	29	
-	2	2	22281-8	SPRING, COMPRESSION	27	
-	1	1	356835-1	LEVER, DRAG RELEASE	26	
-	1	1	1673009-1	DRAG, TERMINAL	25	
-	1	1	4-189124-2	GUIDE, FRONT STRIP	24	
-	1	1	980371-4	SCR, SKT HD SHLDR 5.0 DIA X 6.0	23	
-	1	1	2168083-2	SCR, SKT HD CAP, RoHS, M4 X 8.0	21	
-	1	1	1-18028-2	WASHER, FLAT, REG M4	20	
-	1	1	2119533-1	STRIPPER, SIDE FEED	19	
	-	1	1	1673257-5	SHEAR, FLOATING	17
-	2	2	1-2168083-1	SCR, SKT HD CAP, RoHS, M3 X 6	16	
	-	1	1	1673256-4	PLATE, REAR SHEAR	15
-	1	1	1673255-2	HOLDER, REAR SHEAR	14	
-	1	1	3-22280-3	SPRING, COMPRESSION	12	
-	-	-	-	-	10	
-	-	-	-	-	9	
	1	2	1	9-1803171-1	ANVIL, COMBINATION	8
-	-	-	-	-	7	
-	1	1	1	690468-6	DEPRESSOR SHEAR, REAR	6
-	-	-	-	-	5	
-	1	1	1	3-238009-3	BLOCK, FL CRIMPER SPACER	4
	1	2	1	9-1803016-8	CRIMPER, INSULATION F	3
-	1	1	1	455888-8	SPACER, CRIMPER	2
	1	2	1	7-1803188-0	CRIMPER, WIRE	1

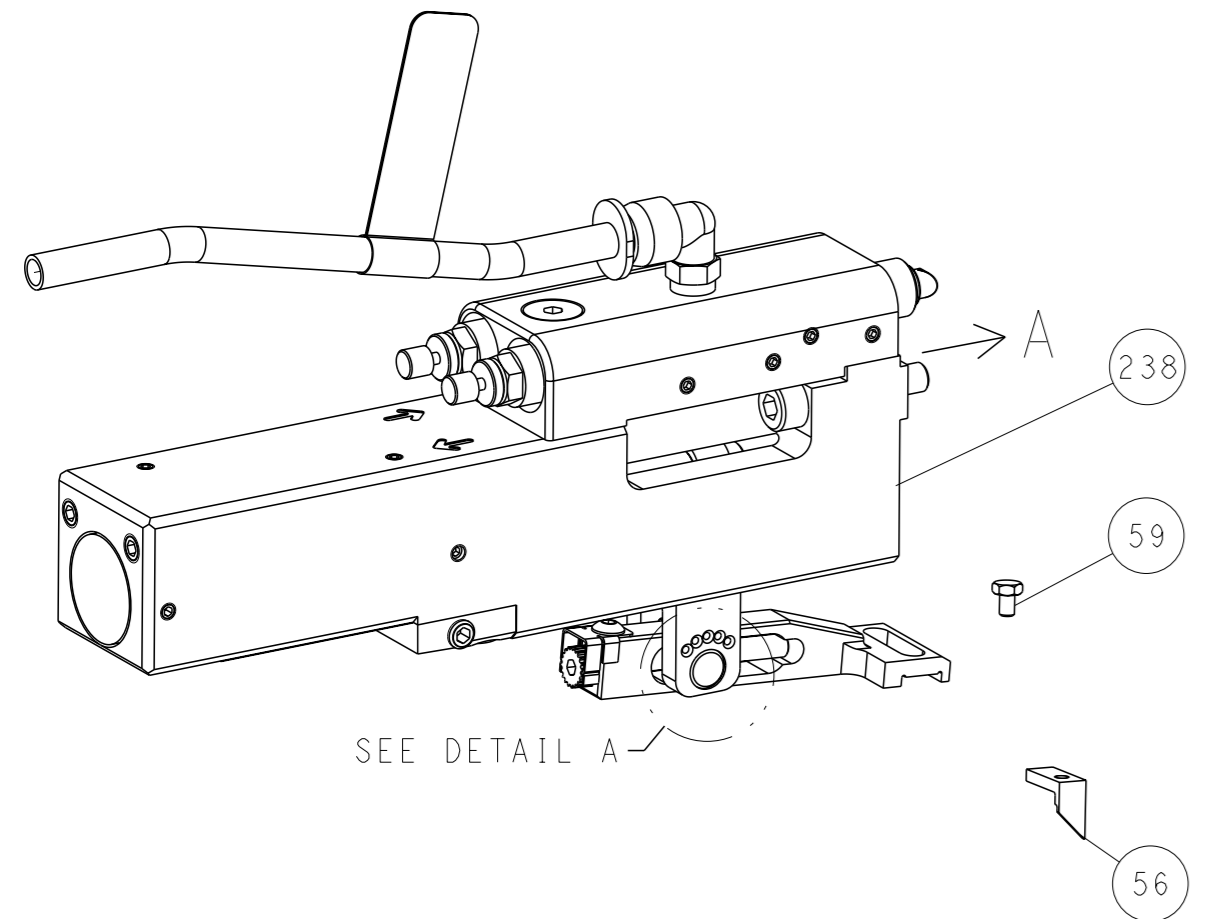
ATLANTIC VERSION
Shown on sheets 1 of 4 & 2 of 4
(Pacific version shown on sheets 3 of 4 & 4 of 4)

<small>THE DRAWING IS UNPUBLISHED. IT IS SUBJECT TO CHANGE AND THE USER SHALL BE RESPONSIBLE FOR VERIFYING THE DIMENSIONS AND TOLERANCES SHOWN ON THIS DRAWING. DIMENSIONS SHOULD BE CONTACTED FOR THE LATEST REVISION.</small>		OWN: BOB HIGMAN 14MAR2016 CHK: G. BAILEY 14MAR2016 APVD: G. BAILEY 14MAR2016	TE Connectivity Harrisburg, PA 17105-3608
DIMENSIONS:	TOLERANCES UNLESS OTHERWISE SPECIFIED:	NAME: G. BAILEY	PRODUCT SPEC
mm	0 PLC ± 1 PLC ± 2 PLC ± 3 PLC ± 4 PLC ± ANGLES ±	APPLICATION SPEC	SIZE: A1
MATERIAL:	FINISH:	WEIGHT:	CAGE CODE: 00779
Customer Accessible Production Drawing		SCALE: 1:2	SHEET 1 OF 4

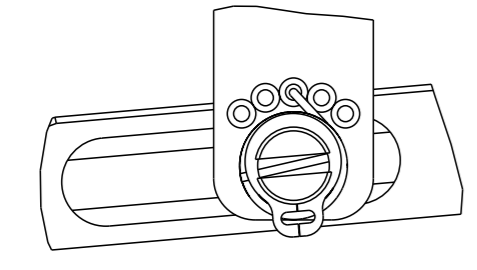
LOC	DIST	REVISIONS					
A	66	P	LYR	DESCRIPTION	DATE	OWN	APVD
		-		SEE SHEET 1	-	-	-

FEED TYPE

PNEUMATIC

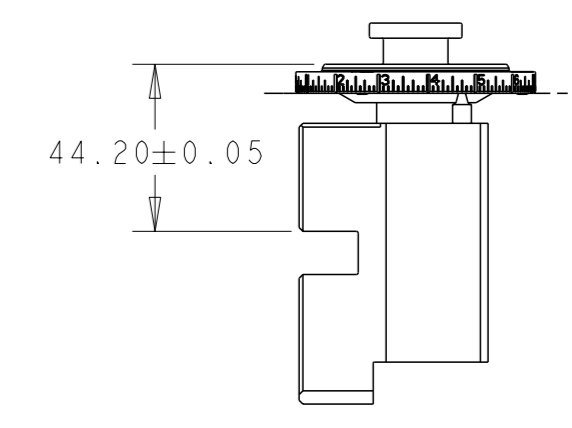
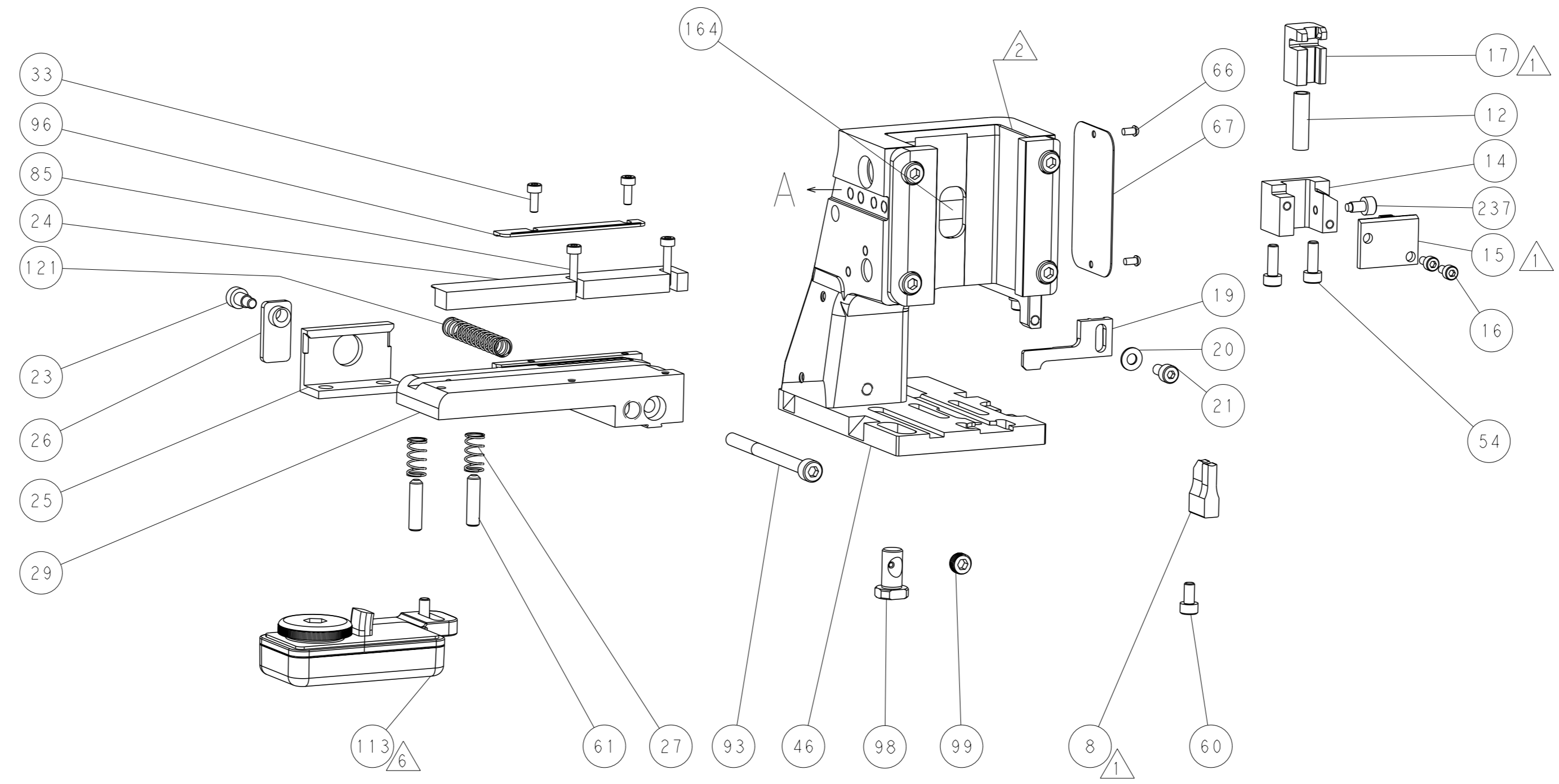
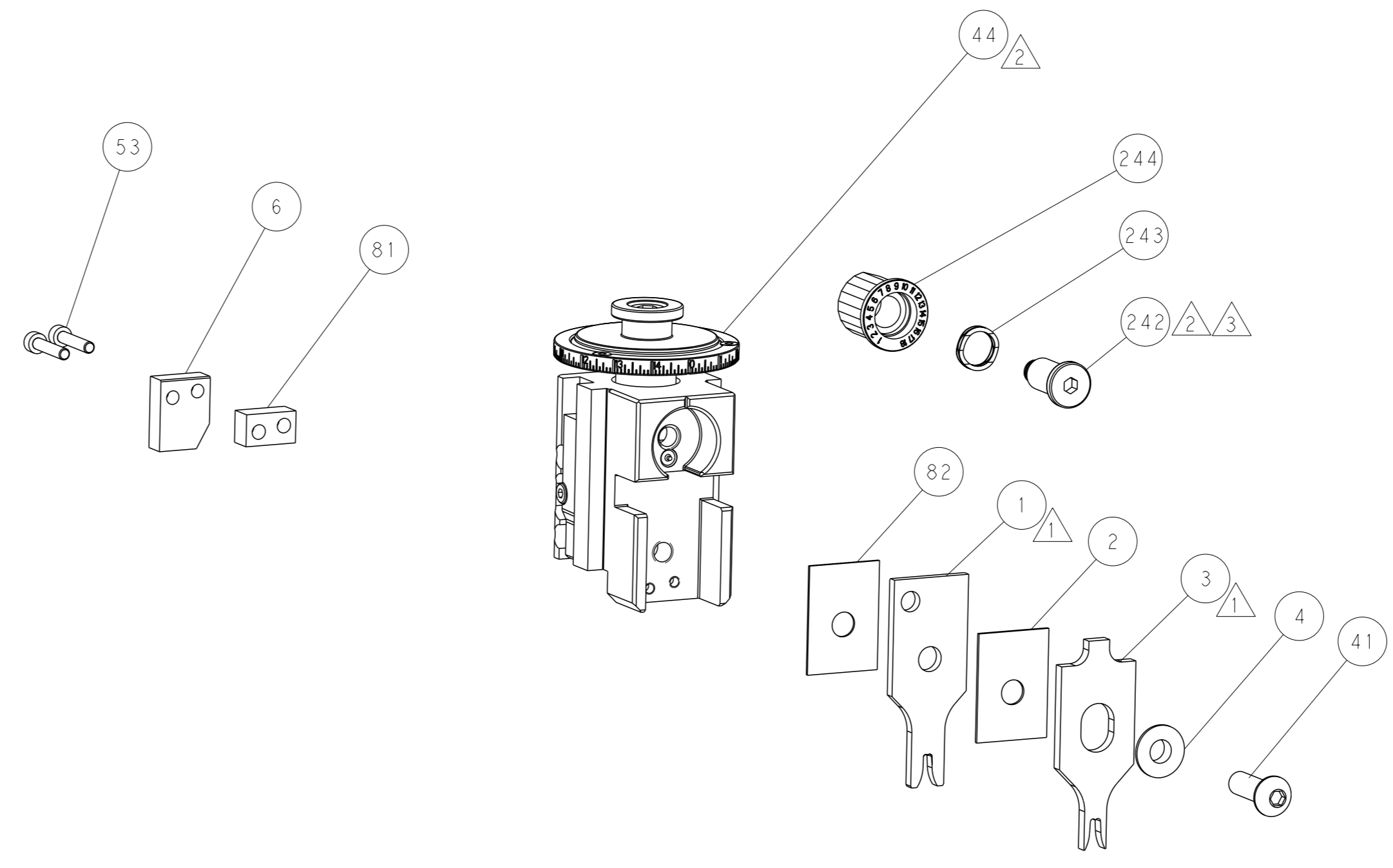
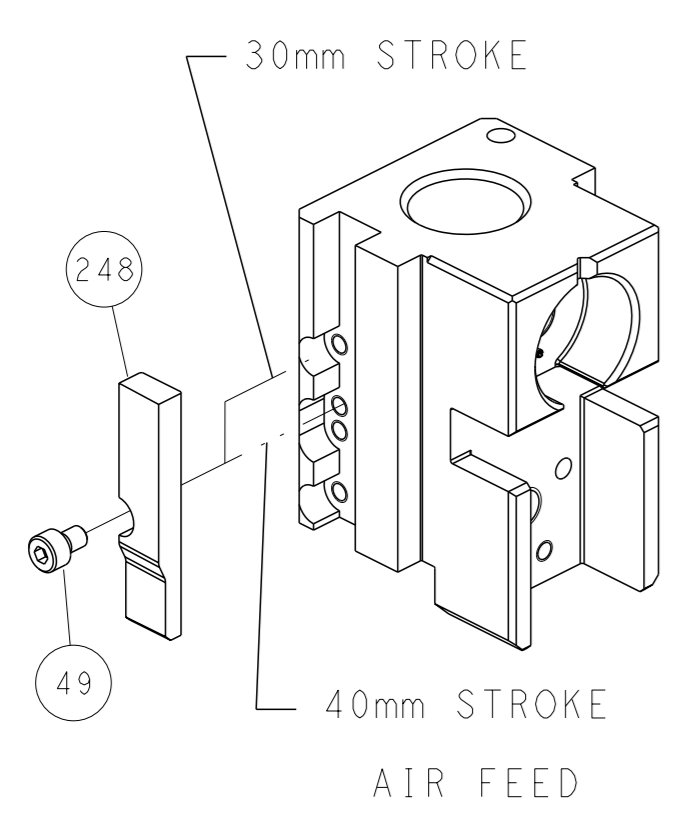


FEED SPRING SETTING POSITION
(SHOWN FROM REAR SIDE)



DETAIL A

CAM POSITION



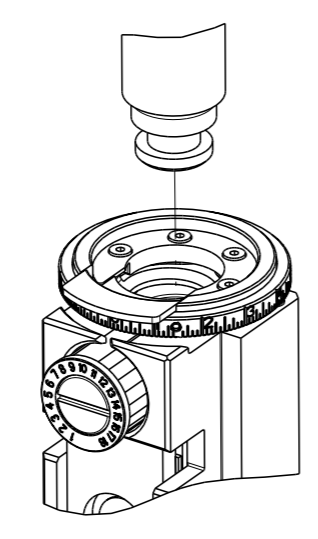
RAM SET-UP

ATLANTIC VERSION
 Shown on sheets 1 of 4 & 2 of 4
 (Pacific version shown on sheets 3 of 4 & 4 of 4)

<small>THIS DRAWING IS A CONTROLLED DOCUMENT FROM TYCO ELECTRONICS CORPORATION. IT IS SUBJECT TO CHANGE AND THE USER MUST CONTACT THE ENGINEERING ORGANIZATION SHOULD BE CONTACTED FOR THE LATEST REVISION.</small>		DWN BOB HIGMAN 14MAR2016 CHK G. BAILEY 14MAR2016 APVD G. BAILEY 14MAR2016	NAME Ocean Side Feed Applicator SIZE CAGE CODE DRAWING NO. A1 00779 C=2836232 RESTRICTED TO
DIMENSIONS: mm TOLERANCES UNLESS OTHERWISE SPECIFIED: 0 PLC ± 1 PLC ± 2 PLC ± 3 PLC ± 4 PLC ± ANGLES FINISH *	TOLERANCES UNLESS OTHERWISE SPECIFIED: 0 PLC ± 1 PLC ± 2 PLC ± 3 PLC ± 4 PLC ± ANGLES FINISH *	WEIGHT SCALE 1:2 SHEET 2 OF 4 REV E	CUSTOMER ACCESSIBLE PRODUCTION DRAWING

PART NUMBER	REVISION	DESCRIPTION	FEED TYPE
2-2836232-2	E	FINE CRIMP HEIGHT ADJUST	PNEUMATIC
7-2836232-7	A	CRIMP TOOLING KIT	-

PACIFIC VERSION TERMINATOR INTERFACE ADAPTER



APPLICATOR DATA		
CRIMP	SIZE	TYPE
WIRE	3.10 mm [.122]	F
INSUL	3.94 mm [.155]	F

APPLICATOR INSTRUCTIONS 408-35042

TERMINAL DATA: DELPHI TERMINAL DELPHI PACKARD CRIMP SPECIFICATION			
TERMINAL NAME: TAXI TERM F 56 TERMINAL			
WIRE STRIP LENGTH	INSULATION DIAMETER RANGE		
4.51-5.27 mm [.177-.207 IN]	∅2.48-3.05 mm [.098-.120 IN]		
TERMINAL APPLICATION SPECIFICATION TQ-14FDT56			
TERMINALS APPLIED			
TE TERMINAL	DELPHI TERMINAL	TE TERMINAL	DELPHI TERMINAL
1572703-1	2965867	1572703-5	2965399
1572703-2	2962952	1572703-6	2962447
1572703-3	2965728	1572703-7	2965142
1572703-4	2977936		

WIRE SIZE	CRIMP HEIGHT mm [INCH]	CRIMP HEIGHT REFERENCE SETTING
14 AWG	1.70 +/- 0.05 [.067 +/- .002]	7.0
16 AWG	1.65 +/- 0.05 [.065 +/- .002]	7.8

- RECOMMENDED SPARE PARTS
 - REFER TO SUPPLIED INSTRUCTION SHEET FOR CLEANING, LUBRICATION AND STORAGE OF APPLICATOR.
 - APPLY PART NUMBER 2-23419-6 LOCTITE TO THREADS OF ITEM 242.
 - CRIMP HEIGHT REFERENCE SETTING WAS THE SETTING USED WHEN THE APPLICATOR WAS QUALIFIED AT THE FACTORY. ADJUSTMENT MAY BE NECESSARY WHEN RUNNING APPLICATOR IN THE FIELD.
 - TERMINAL PITCH NOT COMPATIBLE WITH MECHANICAL FEED.
 - TERMINAL LUBRICANT IS RECOMMENDED.
7. UNLESS SPECIFIED OTHERWISE TORQUE VALUES SHALL BE USED PER DOCUMENT, 101-35000.

***WARNING**
ON INSTALLATION, SET WIRE DISC TO CRIMP HEIGHT REFERENCE SETTING FOR LARGEST WIRE SIZE. CRIMP HEIGHT REFERENCE SETTINGS GREATER THAN THE VALUE SHOWN MAY CAUSE DAMAGE TO THE CRIMP TOOLING, REFER TO THE INSTRUCTION SHEET FOR PROPER SETUP AND ADJUSTMENTS.

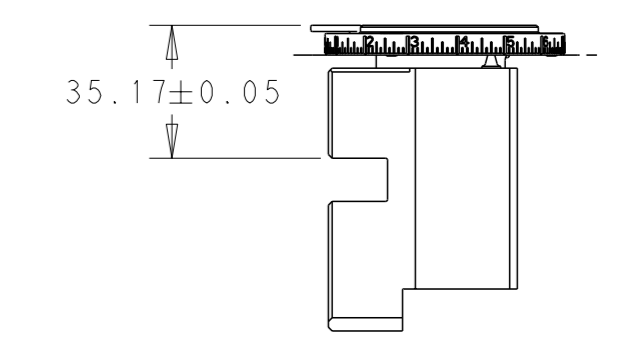
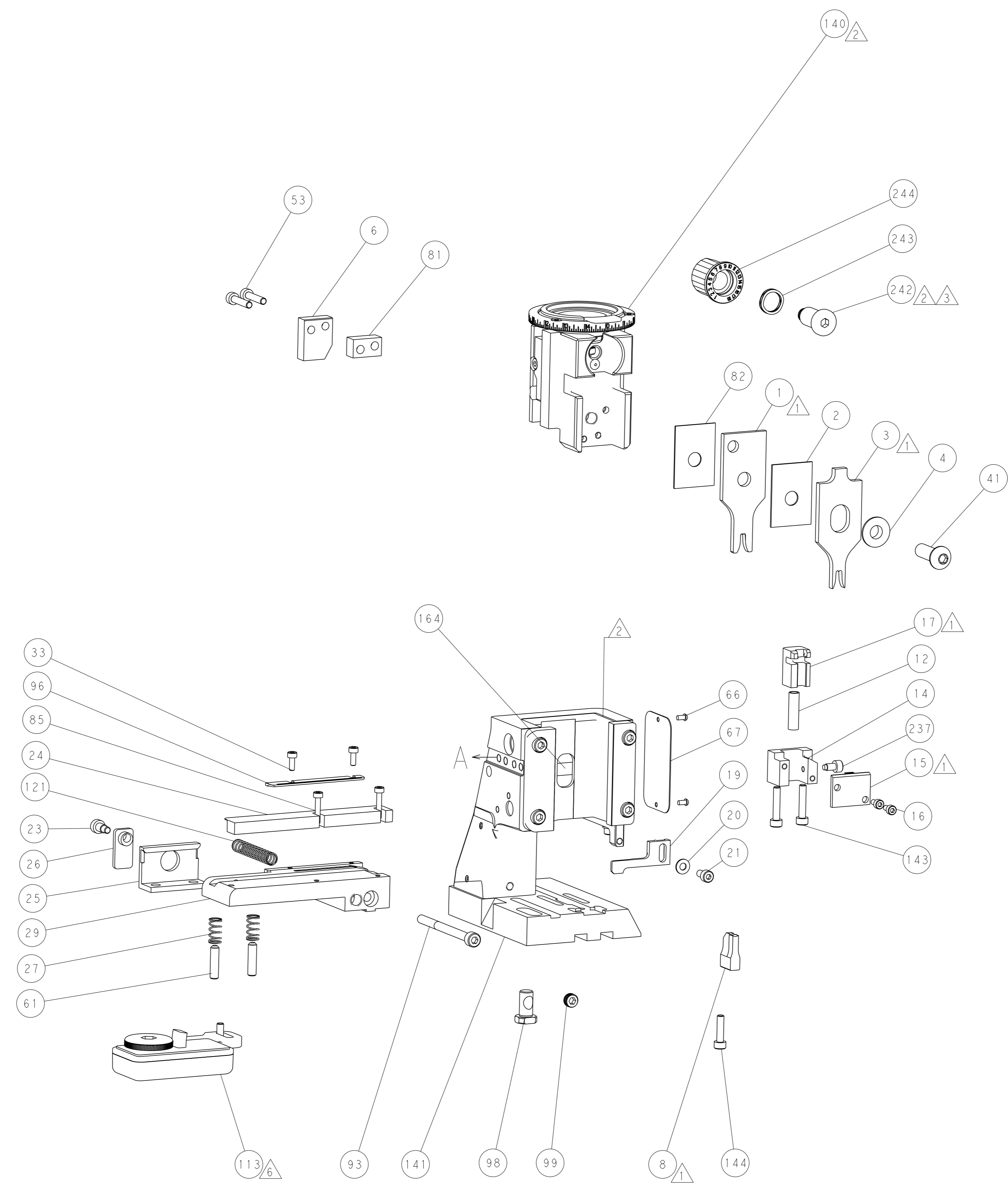
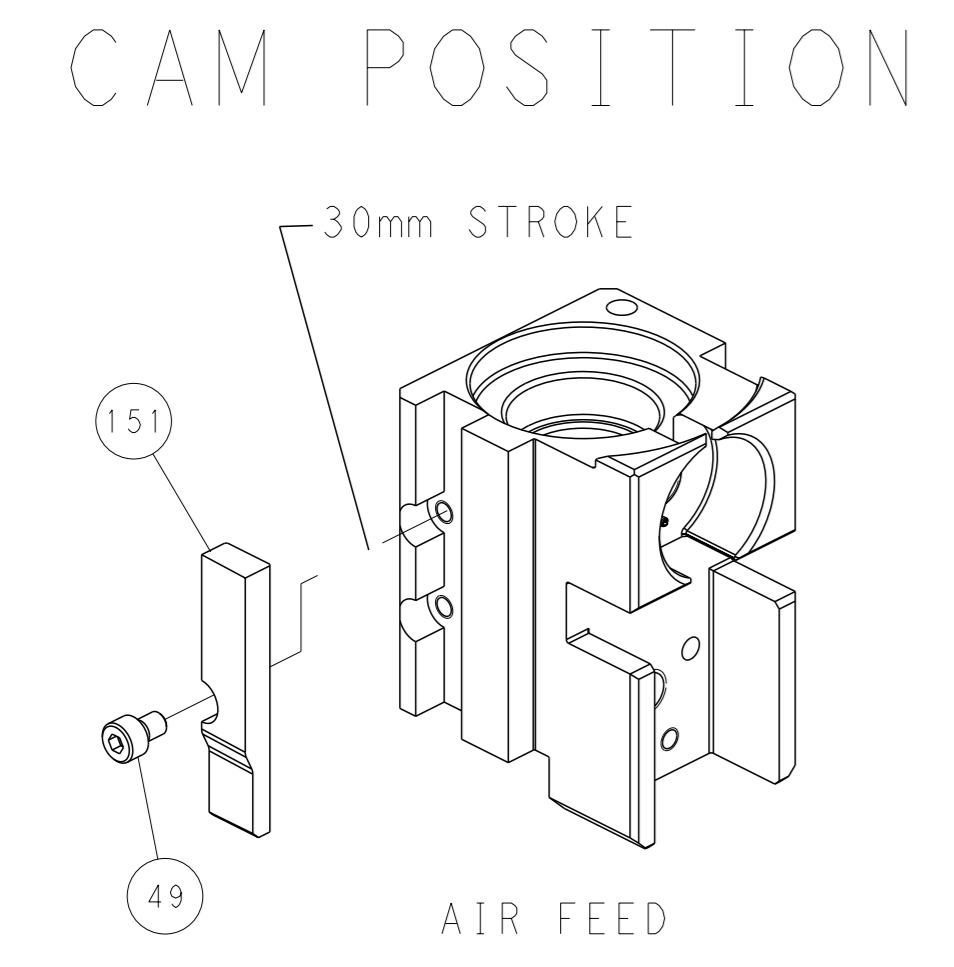
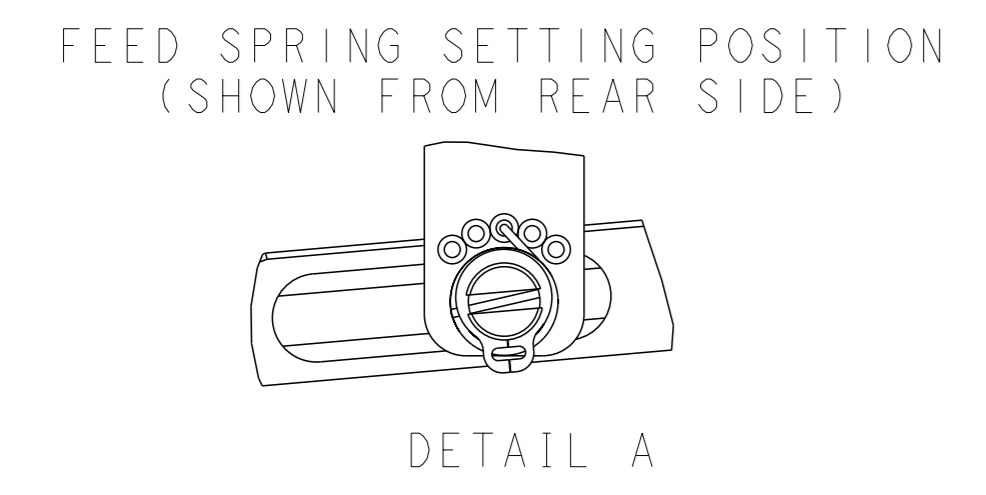
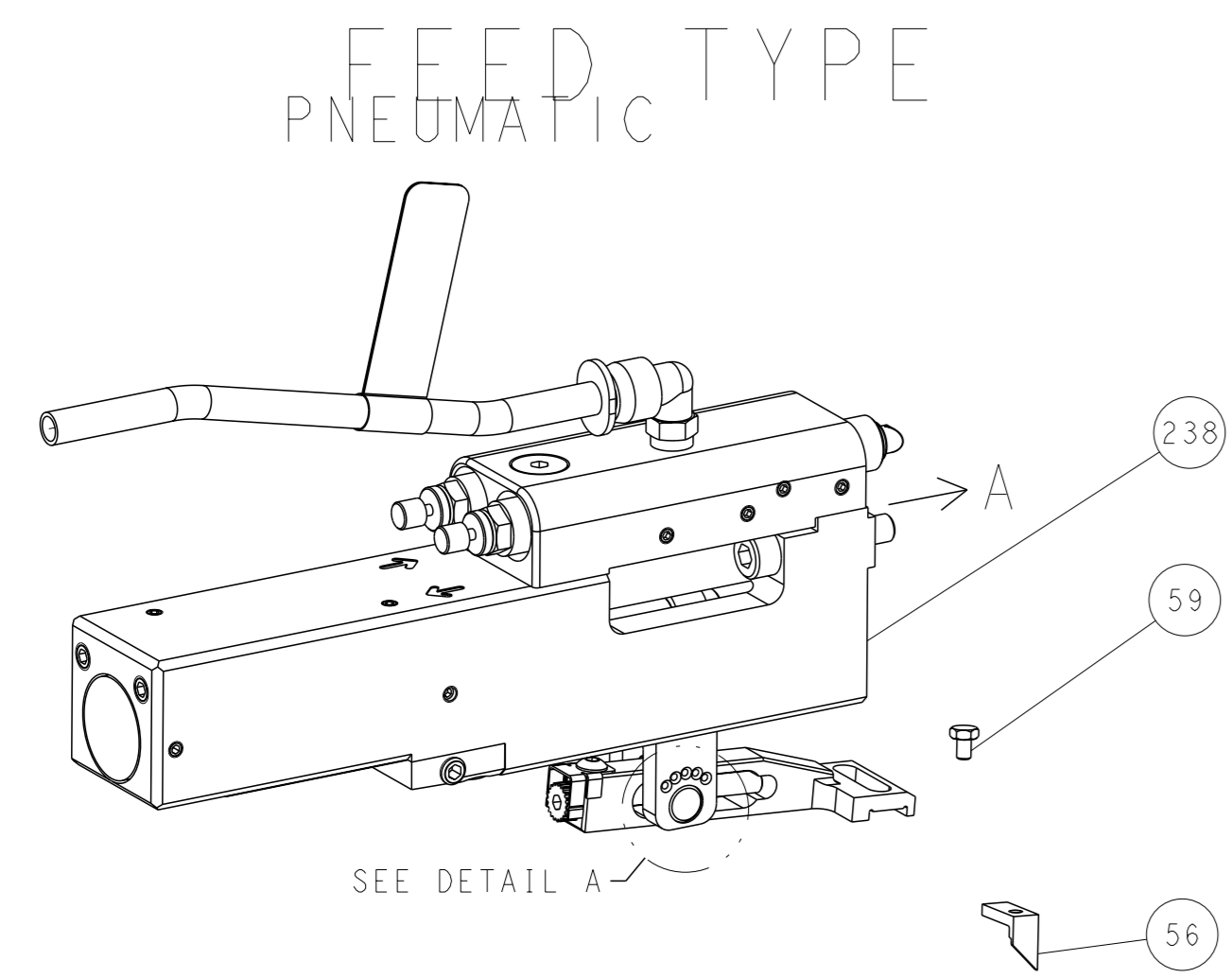
PACIFIC VERSION
Shown on sheets 3 of 4 & 4 of 4
(Atlantic version shown on sheets 1 of 4 & 2 of 4)

LOC	DIST	REVISONS		
		DATE	OWN	APVD
A	66	-	-	-
		SEE SHEET 1		

-	1	2119082-4	CAM, SNAIL, INSULATION ADJUSTMENT	244	
-	1	2079764-1	WASHER, WAVE SPRING, CREST-TO-CREST	243	
-	1	2119083-1	RETAINER, INSULATION DIAL	242	
-	1	2844940-1	AIR FEED MODULE	238	
-	1	1-356885-1	STOP, SHEAR	237	
-	REF	994970-2	COUNTER, MAGNETIC	164	
-	1	2119641-2	FEED CAM, AIR FEED	151	
-	1	2168083-8	SCR, SKT HD CAP, RoHS, M4 X 16	144	
-	2	2168083-9	SCR, SKT HD CAP, RoHS, M4 X 20	143	
-	1	1-1803583-0	APPLICATOR BASIC ASSEMBLY, SF	141	
-	1	1803516-1	RAM ASSEMBLY, SF PACIFIC	140	
-	1	1-22281-8	SPRING, COMPRESSION	121	
-	1	2119955-1	ASSY, LUBRICATOR, SIDE FEED	113	
-	1	2844908-1	SCREW, LOCKING	99	
-	1	2844907-1	POST, LOCKING	98	
-	1	1803258-1	FRONT STRIP GUIDE	96	
-	1	2168083-6	SCR, SKT HD CAP, RoHS, M5 X 65	93	
-	2	1-2168083-3	SCR, SKT HD CAP, RoHS, M3 X 16	85	
-	1	455888-6	SPACER, CRIMPER	82	
-	1	8-240641-5	SPACER	81	
-	1	1803607-3	DOCUMENTATION PACKAGE	71	
-	1	2119740-1	TAG, IDENTIFICATION	67	
-	2	2168078-1	SCREW, DRIVE, RH, RoHS, 2 x .188	66	
-	2	2-18032-5	SCR, SET, FLT PNT, M5 X 20.0	61	
-	1	5-18022-5	SCR, HEX HD CAP, M4 X 6.0	59	
-	1	1-1338683-0	FEED PAWL	56	
-	2	2168083-9	SCR, SKT HD CAP, RoHS, M4 X 20	53	
-	1	18023-9	SCR, SKT HD CAP M4 X 6.0	49	
-	1	1803602-1	SCR, BHSC, RoHS (M8 X 25)	41	
-	2	2168083-1	SCR, SKT HD CAP, RoHS, M3 X 8.0	33	
-	1	2305692-8	PLATE, REAR STRIP GUIDE	29	
-	2	22281-8	SPRING, COMPRESSION	27	
-	1	356835-1	LEVER, DRAG RELEASE	26	
-	1	1673009-1	DRAG, TERMINAL	25	
-	1	4-189124-2	GUIDE, FRONT STRIP	24	
-	1	980371-4	SCR, SKT HD SHLDR 5.0 DIA X 6.0	23	
-	1	2168083-2	SCR, SKT HD CAP, RoHS, M4 X 8.0	21	
-	1	1-18028-2	WASHER, FLAT, REG M4	20	
-	1	2119533-1	STRIPPER, SIDE FEED	19	
-	1	1673257-5	SHEAR, FLOATING	17	
-	2	1-2168083-1	SCR, SKT HD CAP, RoHS, M3 X 6	16	
-	1	1673256-4	PLATE, REAR SHEAR	15	
-	1	1673255-2	HOLDER, REAR SHEAR	14	
-	1	3-22280-3	SPRING, COMPRESSION	12	
-	-	-	-	10	
-	-	-	-	9	
-	1	1	9-1803171-1	ANVIL, COMBINATION	8
-	-	-	-	7	
-	1	690468-6	DEPRESSOR SHEAR, REAR	6	
-	-	-	-	5	
-	1	3-238009-3	BLOCK, FL CRIMPER SPACER	4	
-	1	1	9-1803016-8	CRIMPER, INSULATION F	3
-	1	455888-8	SPACER, CRIMPER	2	
-	1	1	7-1803188-0	CRIMPER, WIRE	1
-	-	-	-	-	-
-	77	-22	PART NO	DESCRIPTION	ITEM NO

<small>THIS DRAWING IS UNPUBLISHED. IT IS SUBJECT TO CHANGE AND THE CUSTOMER'S RESPONSIBILITY TO CONTACT THE DRAWING ORGANIZATION SHOULD BE CONTACTED FOR THE LATEST REVISION.</small>		OWN: BOB HIGMAN 14MAR2016 CHK: G. BAILEY 14MAR2016 APVD: G. BAILEY 14MAR2016		NAME: STE TE Connectivity Harrisburg, PA 17105-3608	
DIMENSIONS: mm 0 PLC ± 1 PLC ± 2 PLC ± 3 PLC ± 4 PLC ± ANGLES FINISH ±		TOLERANCES UNLESS OTHERWISE SPECIFIED: ±		SIZE: A1 CAGE CODE: 00779 DRAWING NO: 2836232	
MATERIAL:		APPLICATION SPEC:		RESTRICTED TO:	
WEIGHT:		SCALE: 1:2		SHEET 3 OF 4 REV E	

LOC	DIST	REVISIONS			
		REV	DATE	BY	APPV
A	66	-	SEE SHEET 1	-	-



PACIFIC VERSION
 Shown on sheets 3 of 4 & 4 of 4
 (Atlantic version shown on sheets 1 of 4 & 2 of 4)

<small>THIS DRAWING IS A CONTROLLED DOCUMENT FROM TYCO ELECTRONICS CORPORATION. IT IS SUBJECT TO CHANGE AND THE CONTROLLING ENGINEERING ORGANIZATION SHOULD BE CONTACTED FOR THE LATEST REVISION.</small>		DWN BOB HIGMAN 14MAR2016 CHK G. BAILEY 14MAR2016 APVD G. BAILEY 14MAR2016	NAME Ocean Side Feed Applicator
DIMENSIONS: mm 	TOLERANCES UNLESS OTHERWISE SPECIFIED: 0 PLC ± 1 PLC ± 2 PLC ± 3 PLC ± 4 PLC ± ANGLES FINISH *	PRODUCT SPEC APPLICATION SPEC WEIGHT Customer Accessible Production Drawing	SIZE CAGE CODE DRAWING NO. RESTRICTED TO A1 00779 C=2836232 SCALE 1:2 SHEET 4 OF 4 REV E