

ATLANTIC VERSION TERMINATOR INTERFACE ADAPTER	PART NUMBER	REVISION	DESCRIPTION	FEED TYPE	CONVERT TO	PART NUMBERS REQUIRED					
	2836012-1	A	FINE CRIMP HEIGHT ADJUST	MECHANICAL	PNEUMATIC FEED	2119950-1	1338683-8	5-18022-5	2119641-1	2119799-1	2063440-1
	2836012-2	A	FINE CRIMP HEIGHT ADJUST	PNEUMATIC	SERVO LATCH PLATE	2119951-1	-	8-2836012-5	1901094-3	-	2168400-6 (QUANTITY 2)
					SMART APPLICATOR	2161326-1	-	8-2836012-4	-	-	
					MECHANICAL FEED	2119949-1	1338683-8	5-18022-5	2119653-1	-	-
	2836012-5	A	FINE CRIMP HEIGHT ADJUST	SERVO LATCH PLATE ⁴	SERVO LATCH PLATE	2119951-1	-	8-2836012-5	1901094-3	-	2168400-6 (QUANTITY 2)
					SMART APPLICATOR	2161326-1	-	8-2836012-4	-	-	
	2836012-6	A	NON-CRIMP HEIGHT ADJUST	SERVO LATCH PLATE ⁴	MECHANICAL FEED	2119949-1	1338683-8	5-18022-5	2119653-1	-	-
2836012-7	A	FINE CRIMP HEIGHT ADJUST	NONE	PNEUMATIC FEED	2119950-1	1338683-8	5-18022-5	2119641-1	2119799-1	2063440-1	
7-2836012-7	A	CRIMP TOOLING KIT	-	-	-	-	-	-	-	-	

APPLICATOR DATA		
CRIMP	SIZE	TYPE
WIRE	2.30 mm [.091]	F
INSUL	3.78 mm [.149]	O

APPLICATOR INSTRUCTIONS 408-10389

TERMINAL DATA: KET TERMINAL	KET CRIMP SPECIFICATION			
TERMINAL NAME: TERMINAL, .090 II FEMALE				
WIRE STRIP LENGTH 4.50-5.50 mm [.177-.217 IN]	INSULATION DIAMETER RANGE Ø			
TERMINAL APPLICATION SPECIFICATION SSD(0509) Rev 2/29/00				
TERMINALS APPLIED				
TE TERMINAL	KET TERMINAL	TE SEAL	KET SEAL	CABLE DIAMETER
2113868-1	ST730732-3	1-1949770-0	MG680449	Ø1.90
2113868-2	ST730732-S	1949770-9	MG680450	Ø2.10-2.20

WIRE SIZE	CRIMP HEIGHT mm [INCH]	CRIMP HEIGHT REFERENCE SETTING
AVSS 1.25mm ²	1.35+/-0.05 [.053+/-0.002]	6.0
AVSS 0.85mm ²	1.20+/-0.05 [.047+/-0.002]	7.6
AESSXF 0.75mm ²	1.12+/-0.05 [.044+/-0.002]	8.6

- ¹ RECOMMENDED SPARE PARTS
- ² GREASE BEARING SURFACES LIGHTLY
- 3. LUBRICATE DAILY PER THE APPLICATOR INSTRUCTION SHEET SUPPLIED WITH THE APPLICATOR.
- ⁴ APPLICATOR SPECIFIC DATA TO BE ENTERED INTO BLANK MEMORY CHIP AT ASSEMBLY. SEE BELOW FOR PART NUMBER:
 MECHANICAL FEED WITH "SMART APPLICATOR" CONVERSION: 8-2836012-4
 PNEUMATIC FEED WITH "SMART APPLICATOR" CONVERSION: 8-2836012-4
 SERVO FEED WITH "FINE CRIMP HEIGHT ADJUST": 8-2836012-5
 SERVO FEED WITH "NON-CRIMP HEIGHT ADJUST": 8-2836012-6
- 5. ADJUSTMENT OF THE STRIPPER MAY BE REQUIRED WHEN MOVING THE APPLICATOR BETWEEN BENCH AND LEADMAKER APPLICATIONS.
- ⁶ APPLY PART NUMBER 1-23419-5 LOCTITE TO THREADS OF ITEM 62. APPLY PART NUMBER 2-23419-6 LOCTITE TO THREADS OF ITEM 242. FOR -6 ONLY APPLY PART NUMBER 1-23419-5 LOCTITE TO THREADS OF ITEM 37.
- ⁷ GREASE THREADS, GROOVE AND O-RING ON ITEMS 35 & 252.
- ⁸ MAGNET, ITEM 166 MUST BE ORIENTED CORRECTLY IN ORDER TO PROPERLY ACTUATE THE COUNTER.
- ⁹ CRIMP HEIGHT REFERENCE SETTING WAS THE SETTING USED WHEN THE APPLICATOR WAS QUALIFIED AT THE FACTORY. ADJUSTMENT MAY BE NECESSARY WHEN RUNNING APPLICATOR IN THE FIELD.
- ¹⁰ SPARE FEED CAM STORAGE LOCATION REFER TO INSTRUCTION SHEET FOR ADDITIONAL INFORMATION.
- ¹¹ TO CONVERT THE APPLICATOR TO A NON-CARRIER CUTTING STYLE, REMOVE ITEM 13 AND ATTACH TO THE LOCATION ON THE BACK SIDE OF THE HOUSING. REFER TO INSTRUCTION SHEET FOR ADDITIONAL INFORMATION.
- ¹² WHEN ASSEMBLING A NON CRIMP HEIGHT ADJUST APPLICATOR (-6) USE SHIMS FROM ITEM 260 TO ACHIEVE A NOMINAL SHIM HEIGHT OF 4.45.
- ¹³ THIS APPLICATOR APPLIES TERMINAL WITH A SEAL.
- ¹⁴ APPLY TORO-SEAL IN ALLEN SOCKET TO FILL HOLE AFTER FLAT HD HAS BEEN ADJUSTED TO CORRECT HEIGHT AT QUALIFICATION. APPLY #1-23419-5 LOC-TITE TO THREADS.

***WARNING**
 ON INSTALLATION, SET WIRE DISC, ITEM 40 TO LARGEST WIRE SIZE SETTING. USE OF SETTINGS BELOW MINIMUM REQUIRED CRIMP HEIGHT SETTING WILL CAUSE DAMAGE TO CRIMP TOOLING.

-77	-7	-6	-5	-2	-1	PART NO	DESCRIPTION	ITEM NO
-	-	1	-	-	-	2119957-2	APPLICATOR SHIM PACK	260
-	1	-	1	1	1	8-21084-0	O-RING, .676 ID, .070 DIA. MAT.	252

ATLANTIC VERSION
 Shown on sheets 1 of 4 & 2 of 4
 (Pacific version shown on sheets 3 of 4 & 4 of 4)

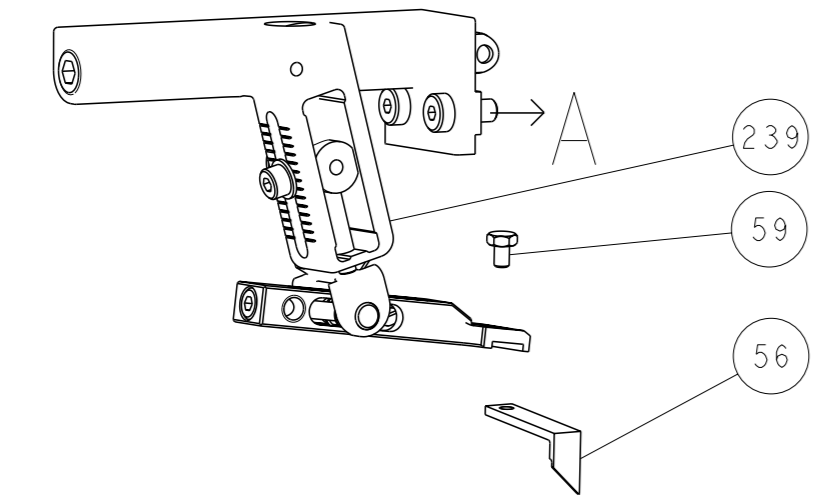
SET UP GAUGE	LOC	DIST	REVISIONS			
2119599-1	A	66	REV	DATE	BY	APPV
			A	RELEASED	280C2015	TE

REV	DATE	BY	APPV	DESCRIPTION	ITEM NO		
-	-	-	-	1 - 2119640-1	PUSH ROD, AIR FEED	250	
-	-	-	-	1 - 2079988-1	BUSHING, LCH5-12, MISUMI	249	
-	-	-	-	1 - 2119641-1	FEED CAM, AIR FEED	248	
-	1	-	1	1 - 2119798-1	DETENT PIN	247	
-	1	-	1	1 - 1-22279-3	SPRING, COMPRESSION	246	
-	-	1	-	1 - 2119758-1	RAM, AMP STYLE, SIDE FEED, NON-ADJ.	245	
-	1	1	1	1 - 2119082-4	CAM, SNAIL, INSULATION ADJUSTMENT	244	
-	1	1	1	1 - 2079764-1	WASHER, WAVE SPRING, CREST-TO-CREST	243	
-	1	1	1	1 - 2119083-1	RETAINER, INSULATION DIAL	242	
-	1	1	1	1 - 7-18023-7	SCR, SKT HD CAP M3 X 4.0	241	
-	-	2	2	-	2168400-6	SHCS, LOW HEAD, RoHS, M5 X 16	240
-	-	-	-	1 - 2119580-1	MECHANICAL FEED ASSEMBLY	239	
-	-	-	-	1 - 2063440-1	AIR FEED MODULE	238	
-	-	1	1	-	2119740-2	TAG, IDENTIFICATION	213
-	-	1	1	-	1901094-3	SPACER, FEEDER	198
-	-	-	2	-	21045-3	RING, RETAIN, EXTERN, 3/16 CRESCENT	172
-	1	1	1	1 - 994969-1	MAGNET, RARE EARTH HIGH ENERGY	166	
-	REF	REF	REF	REF	994970-2	COUNTER, MAGNETIC	164
-	-	-	-	1 - 240638-1	SPRING, FEED FINGER	163	
-	-	-	-	1 - 3-23627-7	PIN, RETAIN, GRVD, 3/16 X .854	137	
-	-	-	-	1 - 2119799-1	HOLDER, FEED FINGER, AF	136	
-	-	REF	REF	-	SEE NOTE 4	MEMORY CHIP, PROGRAMMED	135
-	-	1	1	-	1633743-1	SERVO FEED LATCH ASM	133
-	-	REF	REF	-	2119944-1	FEED FINGER ASSEMBLY, SF	117
-	1	1	1	1 - 455888-5	SPACER, CRIMPER	82	
-	1	1	1	1 - 2119956-1	DOCUMENTATION PACKAGE	71	
-	1	-	-	1 - 2119740-1	TAG, IDENTIFICATION	67	
-	2	2	2	2 - 2168078-1	SCREW, DRIVE, RH, RoHS, 2 x .188	66	
-	1	-	1	1 - 2119793-1	LIMITER, ADJUSTMENT BOLT	63	
-	3	-	3	3 - 992763-5	SCR, SET, SOC, CONE POINT, M3 x 4.0	62	
-	1	1	1	1 - 2079383-4	SCR, BHSC, RoHS (M4 X 8)	60	
-	-	-	-	1 - 5-18022-5	SCR, HEX HD CAP, M4 X 6.0	59	
-	1	1	1	1 - 985575-3	SCR, FLT SKT HD CAP M3 X 10.0	57	
-	-	-	-	1 - 1338683-8	FEED PAWL	56	
-	4	4	4	4 - 2168400-1	SHCS, LOW HEAD, RoHS, M4 X 12	54	
-	2	2	2	2 - 1-2168083-0	SCR, SKT HD CAP, RoHS, M4 X 10	53	
-	1	1	1	1 - 5018030-1	NUT, HEX, REG, RoHS, M3	52	
-	1	1	1	1 - 811242-5	BUMPER, HOLD DOWN	51	
-	1	1	1	1 - 690753-2	SPACER, TONKER	50	
-	-	-	-	1 - 18023-9	SCR, SKT HD CAP M4 X 6.0	49	
-	-	-	-	1 - 2119652-1	FEED CAM, PRE FEED	48	
-	-	-	-	1 - 2119653-1	FEED CAM, POST FEED	47	
-	1	1	1	1 - 2119656-9	APPLICATOR BASIC ASSEMBLY, SF	46	
-	1	-	1	1 - 2119370-1	RAM, AMP STYLE, SIDE FEED	44	
-	1	1	1	1 - 2079383-7	SCR, BHSC, RoHS (M8 X 25)	41	
-	1	-	1	1 - 2119645-1	DISC, NUMBERED FA WIRE ADJUSTMENT	40	
-	1	-	1	1 - 2119957-1	APPLICATOR SHIM PACK	39	
-	1	1	1	1 - 2119644-1	RAM WASHER, PRECISION	38	
-	1	1	1	1 - 2119085-1	FA HEAD, ATLANTIC STYLE	37	
-	1	-	1	1 - 2119092-1	BOLT, ADJUSTMENT	35	
-	1	1	1	1 - 1752356-1	SUPPORT, TERMINAL	34	
-	2	2	2	2 - 2079383-5	SCR, BHSC, RoHS (M4 X 20)	33	
-	1	1	1	1 - 2161328-1	HEX HEAD, FLANGED, M5 x 8mm LONG	32	
-	1	1	1	1 - 1-1320908-0	SPACER, STRIP GUIDE	30	
-	1	1	1	1 - 2119959-1	ASSEMBLY, STRIP GUIDE	29	
-	1	1	1	1 - 455888-3	SPACER, CRIMPER	28	
-	1	1	1	1 - 1320928-2	STRIP GUIDE	24	
-	1	1	1	1 - 2168083-2	SCR, SKT HD CAP, RoHS, M4 X 8.0	21	
-	2	2	2	2 - 1-18028-2	WASHER, FLAT, REG M4	20	
-	1	1	1	1 - 2119533-1	STRIPPER, SIDE FEED	19	
-	1	1	1	1 - 2119806-1	INSERT, SHEAR	13	
-	1	1	1	1 - 3-22280-3	SPRING, COMPRESSION	12	
-	1	1	1	1 - 1-356885-4	STOP, SHEAR	11	
-	1	1	1	1 - 2119805-1	SHEAR HOLDER, FRONT	10	
-	1	1	1	1 - 318707-1	FLOATING SHEAR, FRONT	9	
-	1	1	1	1 - 2-1803249-1	ANVIL, COMBINATION	8	
-	-	-	-	-	-	7	
-	-	-	-	-	-	6	
-	1	1	1	1 - 2119781-1	DEPRESSOR, SHEAR	5	
-	1	1	1	1 - 3-238011-3	BLOCK, CRIMPER SPACER	4	
-	1	1	1	1 - 8-1803018-4	CRIMPER, INSULATION O	3	
-	1	1	1	1 - 1-455888-0	SPACER, CRIMPER	2	
-	1	1	1	1 - 4-1803188-4	CRIMPER, WIRE	1	

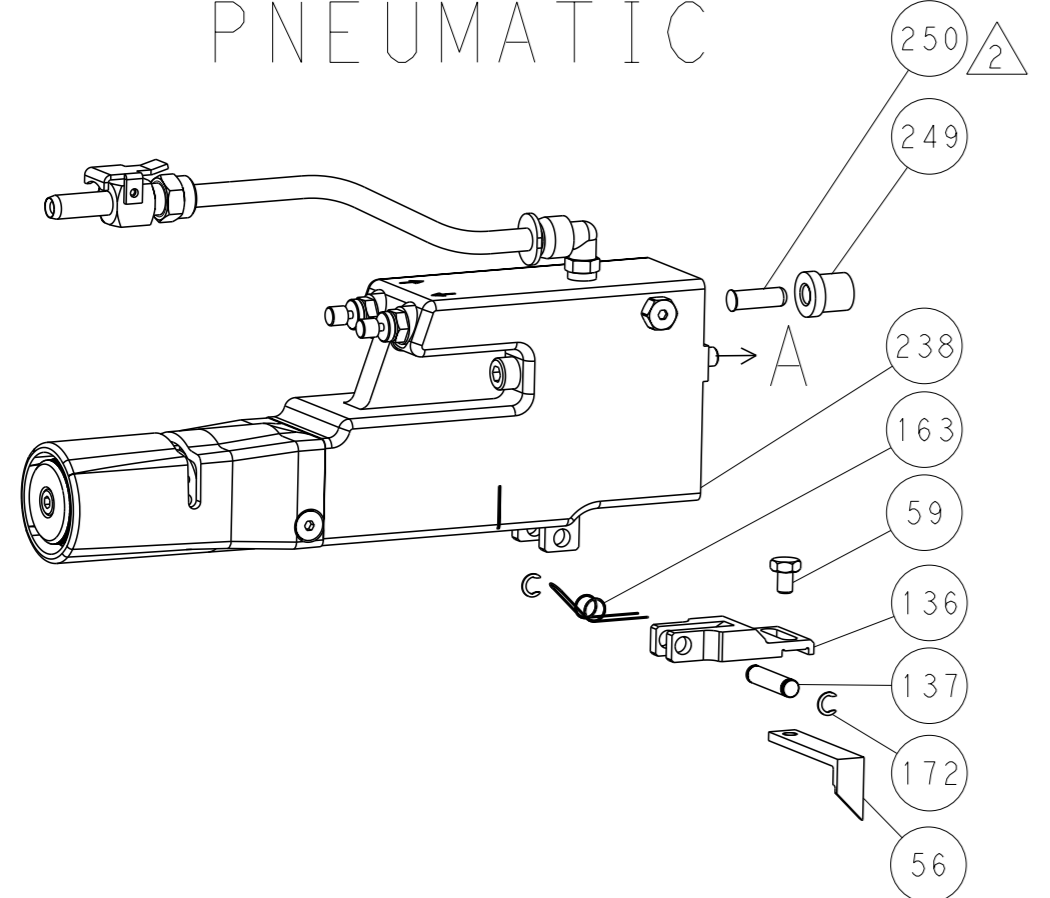
DIMENSIONS:	TOLERANCES UNLESS OTHERWISE SPECIFIED:	OWN	DATE	NAME
mm	0 PLC ± 1 PLC ± 2 PLC ± 3 PLC ± 4 PLC ± ANGLES ±	B. WEAVER	30SEP2015	TE Connectivity
		T. ELBIN	30SEP2015	Harrisburg, PA 17105-3608
		A. ELBIN	30SEP2015	
MATERIAL:	FINISH:	Customer Accessible Production Drawing		
		SCALE	SHEET	REV
		1:2	1 of 4	A

LOC	DIST	REVISIONS			
A	66	REV	DATE	OWN	APVD
-	SEE SHEET 1	-	-	-	-

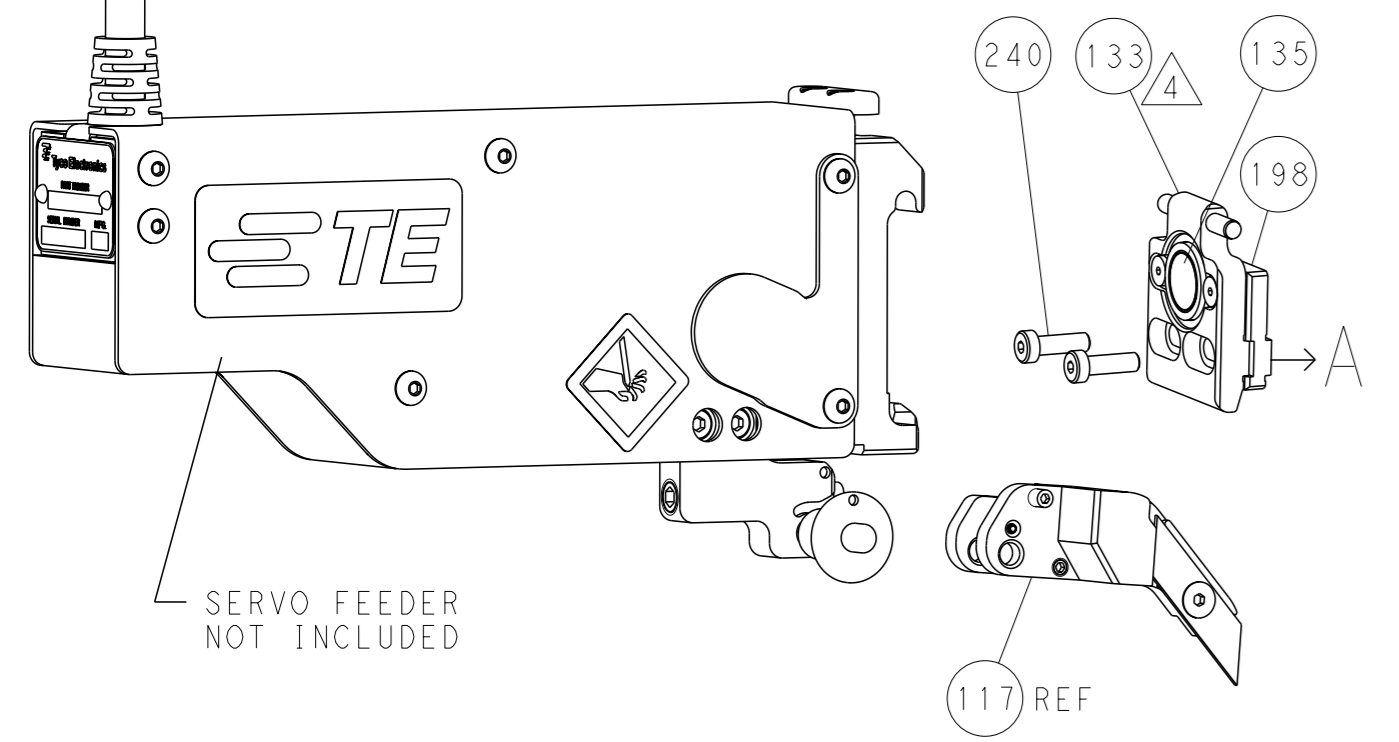
FEED TYPE MECHANICAL



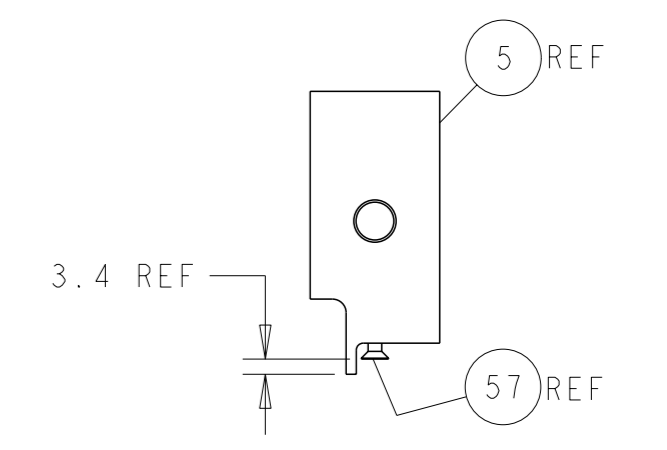
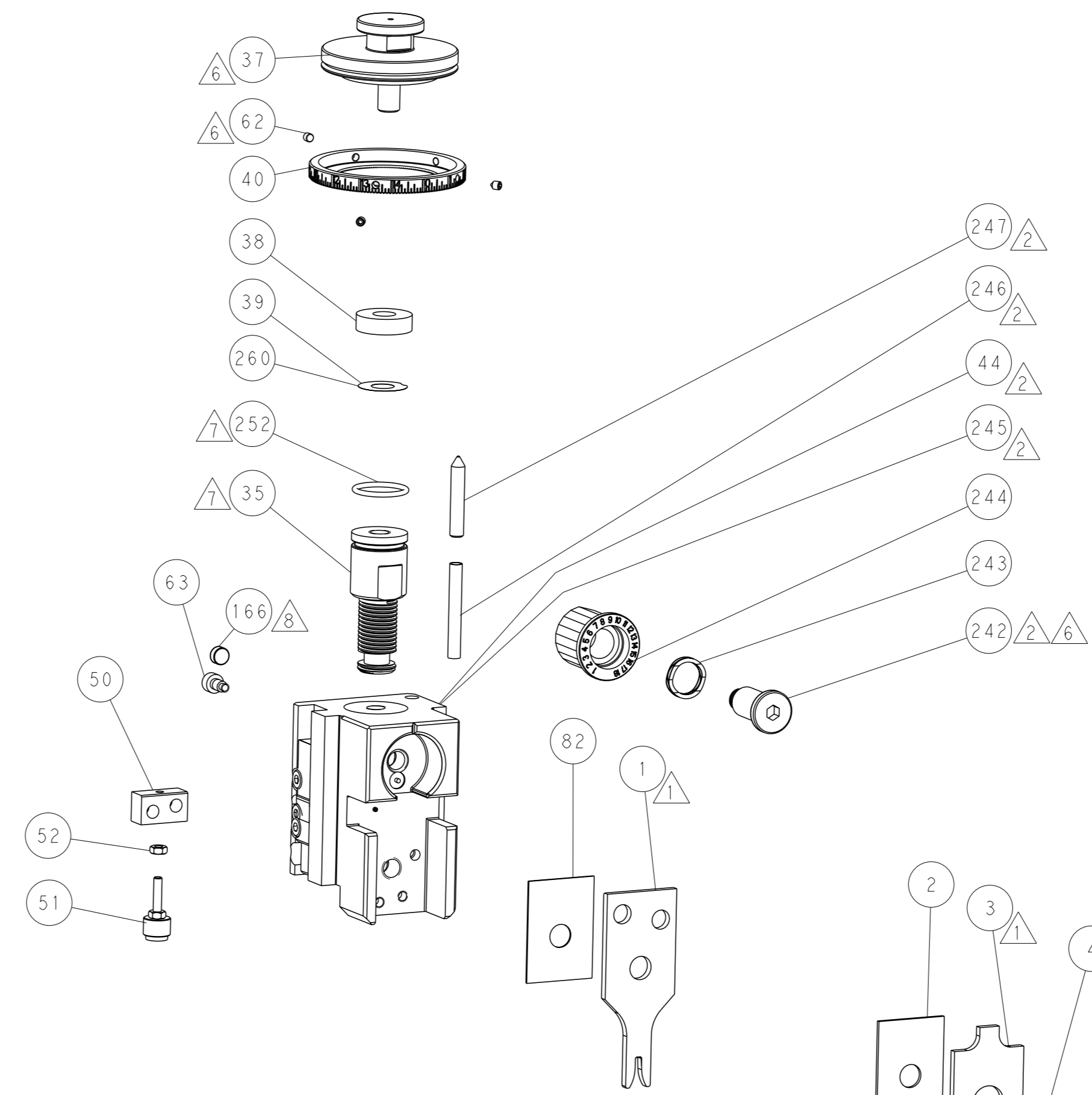
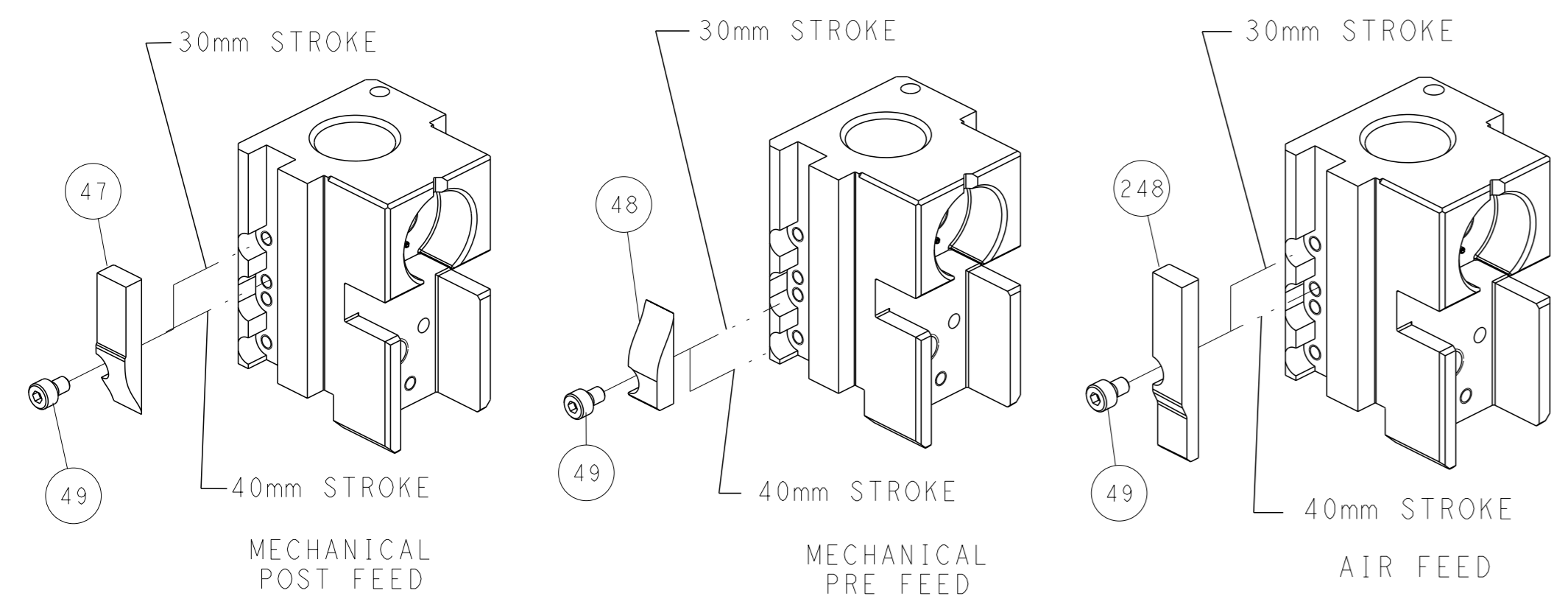
PNEUMATIC



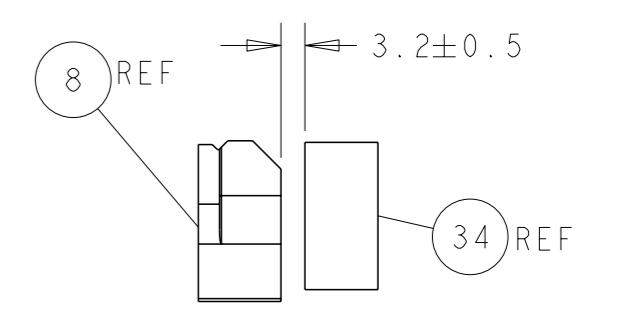
SERVO LATCH PLATE



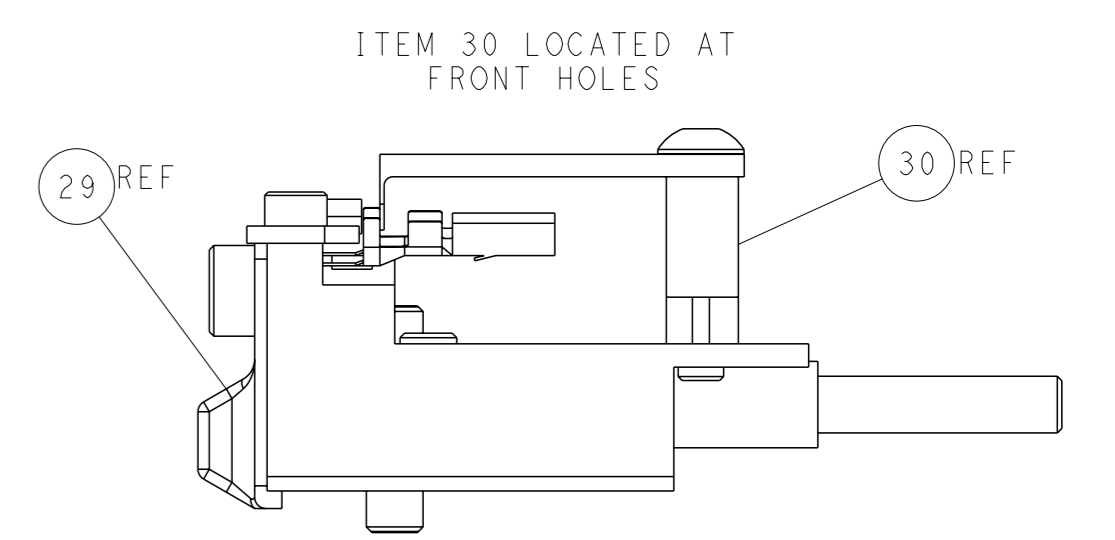
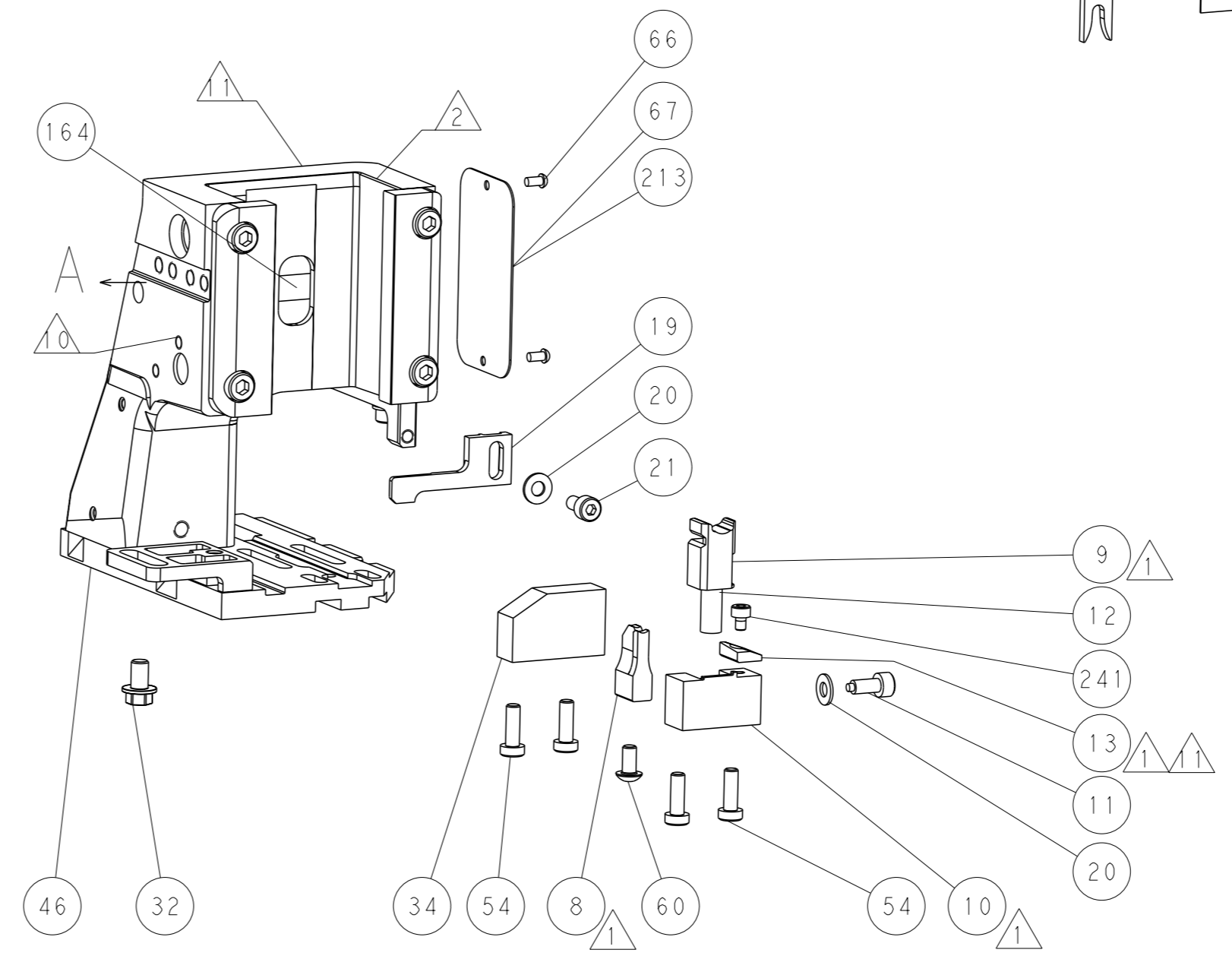
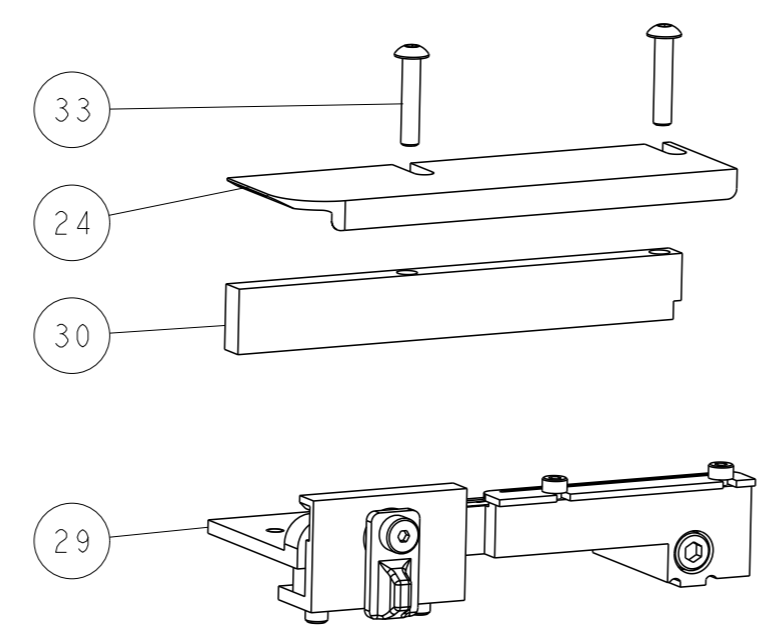
CAM POSITIONS



SHEAR DEPRESSOR DETAIL



TERMINAL SUPPORT LOCATION



FEED TRACK POSITION GUIDE BY INSULATION BARREL

ATLANTIC VERSION
 Shown on sheets 1 of 4 & 2 of 4
 (Pacific version shown on sheets 3 of 4 & 4 of 4)

<small>THIS DRAWING IS UNPUBLISHED. RELEASED FOR PUBLICATION 2015 BY TYCO ELECTRONICS CORPORATION. ALL RIGHTS RESERVED.</small>		OWN: B. WEAVER CHK: T. ELBIN APVD: T. ELBIN	DATE: 30SEP2015 PRODUCT SPEC: 30SEP2015	TE Connectivity Harrisburg, PA 17105-3608
DIMENSIONS: mm TOLERANCES UNLESS OTHERWISE SPECIFIED: 0 PLC ± 2 PLC ± 3 PLC ± 4 PLC ± ANGLES FINISH ±		NAME: Ocean Side Feed Applicator SIZE: A1 CAGE CODE: 00779 DRAWING NO: 2836012	RESTRICTED TO: - SCALE: 1:2 SHEET: 2 of 4 REV: A	CUSTOMER ACCESSIBLE PRODUCTION DRAWING

PACIFIC VERSION TERMINATOR INTERFACE ADAPTER	PART NUMBER	REVISION	DESCRIPTION	FEED TYPE	APPLICATOR STYLE CONVERSION CHART						
					CONVERT TO	PART NUMBERS REQUIRED					
	2-2836012-1	A	FINE CRIMP HEIGHT ADJUST	MECHANICAL	PNEUMATIC FEED	2119950-1	1338683-8	5-18022-5	2119641-2	2119799-1	2063440-1
					SERVO LATCH PLATE	2119951-1	-	8-2836012-5	1901094-3	-	2168400-6 (QUANTITY 2)
					SMART APPLICATOR	2161326-1	-	8-2836012-4	-	-	-
	2-2836012-2	A	FINE CRIMP HEIGHT ADJUST	PNEUMATIC	MECHANICAL FEED	2119949-1	1338683-8	5-18022-5	2119653-2	-	-
					SERVO LATCH PLATE	2119951-1	-	8-2836012-5	1901094-3	-	2168400-6 (QUANTITY 2)
					SMART APPLICATOR	2161326-1	-	8-2836012-4	-	-	-
	2-2836012-5	A	FINE CRIMP HEIGHT ADJUST	SERVO LATCH PLATE	MECHANICAL FEED	2119949-1	1338683-8	5-18022-5	2119653-2	-	-
					PNEUMATIC FEED	2119950-1	1338683-8	5-18022-5	2119641-2	2119799-1	2063440-1
	2-2836012-7	A	FINE CRIMP HEIGHT ADJUST	NONE	-	-	-	-	-	-	-
	7-2836012-7	A	CRIMP TOOLING KIT	-	-	-	-	-	-	-	-

APPLICATOR DATA		
CRIMP	SIZE	TYPE
WIRE	2.30 mm [.091]	F
INSUL	3.78 mm [1.49]	O
APPLICATOR INSTRUCTIONS 408-10389		

TERMINAL DATA: KET TERMINAL		KET CRIMP SPECIFICATION	
TERMINAL NAME: TERMINAL, .090 II FEMALE			
WIRE STRIP LENGTH		INSULATION DIAMETER RANGE	
4.50-5.50 mm [1.77-.217 IN]			
TERMINAL APPLICATION SPECIFICATION	SSD(0509) Rev 2/29/00		
TERMINALS APPLIED			
TE TERMINAL	KET TERMINAL	TE SEAL	KET SEAL
2113868-1	ST730732-3	1-1949770-0	MG680449
2113868-2	ST730732-S	1949770-9	MG680450

WIRE SIZE	CRIMP HEIGHT mm [INCH]	CRIMP HEIGHT REFERENCE SETTING
AVSS 1.25mm ²	1.35+/-0.05 [1.053+/-0.002]	6.0
AVSS 0.85mm ²	1.20+/-0.05 [1.047+/-0.002]	7.6
AESSXF 0.75mm ²	1.12+/-0.05 [1.044+/-0.002]	8.6

- RECOMMENDED SPARE PARTS
- GREASE BEARING SURFACES LIGHTLY
- 3. LUBRICATE DAILY PER THE APPLICATOR INSTRUCTION SHEET SUPPLIED WITH THE APPLICATOR.
- 4. APPLICATOR SPECIFIC DATA TO BE ENTERED INTO BLANK MEMORY CHIP AT ASSEMBLY. SEE BELOW FOR PART NUMBER:
 MECHANICAL FEED WITH "SMART APPLICATOR" CONVERSION: 8-2836012-4
 PNEUMATIC FEED WITH "SMART APPLICATOR" CONVERSION: 8-2836012-4
 SERVO FEED WITH "FINE CRIMP HEIGHT ADJUST": 8-2836012-5
- 5. ADJUSTMENT OF THE STRIPPER MAY BE REQUIRED WHEN MOVING THE APPLICATOR BETWEEN BENCH AND LEADMAKER APPLICATIONS.
- 6. APPLY PART NUMBER 1-23419-5 LOCTITE TO THREADS OF ITEM 62. APPLY PART NUMBER 2-23419-6 LOCTITE TO THREADS OF ITEM 242.
- GREASE THREADS, GROOVE AND O-RING ON ITEMS 139 & 152.
- MAGNET MUST BE ORIENTED CORRECTLY IN ORDER TO PROPERLY ACTUATE THE COUNTER.
- 9. CRIMP HEIGHT REFERENCE SETTING WAS THE SETTING USED WHEN THE APPLICATOR WAS QUALIFIED AT THE FACTORY. ADJUSTMENT MAY BE NECESSARY WHEN RUNNING APPLICATOR IN THE FIELD.
- 10. SPARE FEED CAM STORAGE LOCATION REFER TO INSTRUCTION SHEET FOR ADDITIONAL INFORMATION.
- 11. TO CONVERT THE APPLICATOR TO A NON-CARRIER CUTTING STYLE, REMOVE ITEM 13 AND ATTACH TO THE LOCATION ON BACK SIDE OF THE HOUSING. REFER TO INSTRUCTION SHEET FOR ADDITIONAL INFORMATION.
- 12. THIS APPLICATOR APPLIES TERMINAL WITH A SEAL.
- 13. APPLY TORQ-SEAL IN ALLEN SOCKET TO FILL HOLE AFTER FLAT HD HAS BEEN ADJUSTED TO CORRECT HEIGHT AT QUALIFICATION. APPLY #1-23419-5 LOC-TITE TO THREADS.

***WARNING**
 ON INSTALLATION, SET WIRE DISC, ITEM 40 TO LARGEST WIRE SIZE SETTING. USE OF SETTINGS BELOW MINIMUM REQUIRED CRIMP HEIGHT SETTING WILL CAUSE DAMAGE TO CRIMP TOOLING.

PACIFIC VERSION
 Shown on sheets 3 of 4 & 4 of 4
 (Atlantic version shown on sheets 1 of 4 & 2 of 4)

SET UP GAUGE	LOC	DIST	REVISIONS					
2119599-1	A	66	#	DATE	DESCRIPTION	DATE	OWN	APVD
			-		SEE SHEET 1			

-	1	1	1	1	2119782-1	FINE ADJUST HEAD ASM, PACIFIC STYLE	251
-	-	-	1	-	2119640-1	PUSH ROD, AIR FEED	250
-	-	-	1	-	2079988-1	BUSHING, LCH5-12, MISUMI	249
-	1	1	1	1	1-22279-3	SPRING, COMPRESSION	246
-	1	1	1	1	2119082-4	CAM, SMALL, INSULATION ADJUSTMENT	244
-	1	1	1	1	2079764-1	WASHER, WAVE SPRING, CREST-TO-CREST	243
-	1	1	1	1	2119083-1	RETAINER, INSULATION DIAL	242
-	1	1	1	1	7-18023-7	SCR, SKT HD CAP M3 X 4.0	241
-	-	2	-	-	2168400-6	SHCS, LOW HEAD, RoHS, M5 X 16	240
-	-	-	-	1	2119580-1	MECHANICAL FEED ASSEMBLY	239
-	-	-	1	-	2063440-1	AIR FEED MODULE	238
-	-	1	-	-	2119740-2	TAG, IDENTIFICATION	213
-	-	1	-	-	1901094-3	SPACER, FEEDER	198
-	-	-	2	-	21045-3	RING, RETAIN, EXTERN, 3/16 CRESCENT	172
-	1	1	1	1	994969-1	MAGNET, RARE EARTH HIGH ENERGY	166
-	REF	REF	REF	REF	994970-2	COUNTER, MAGNETIC	164
-	-	-	1	-	240638-1	SPRING, FEED FINGER	163
-	1	1	1	1	8-21084-1	O-RING, .801 ID, .070 DIA, MAT.	152
-	-	-	1	-	2119641-2	FEED CAM, AIR FEED	151
-	1	1	1	1	2119798-2	DETENT PIN	145
-	1	1	1	1	2079383-8	SCR, BHSC, RoHS (M4 X 16)	144
-	4	4	4	4	2168400-5	SHCS, LOW HEAD, RoHS, M4 X 20	143
-	-	-	-	1	2119653-2	FEED CAM, POST FEED	142
-	1	1	1	1	1-2119656-0	APPLICATOR BASIC ASSEMBLY, SF	141
-	1	1	1	1	2119650-1	RAM, ASIAN STYLE, SIDE FEED	140
-	1	1	1	1	2119092-2	BOLT, ADJUSTMENT	139
-	-	-	1	-	3-23627-7	PIN, RETAIN, GRVD, 3/16 X .854	137
-	-	-	1	-	2119799-1	HOLDER, FEED FINGER, AF	136
-	-	REF	-	-	SEE NOTE 4	MEMORY CHIP, PROGRAMMED	135
-	-	1	-	-	1633743-1	SERVO FEED LATCH ASM	133
-	-	REF	-	-	2119944-1	FEED FINGER ASSEMBLY, SF	117
-	1	1	1	1	455888-5	SPACER, CRIMPER	82
-	1	1	1	1	2119956-1	DOCUMENTATION PACKAGE	71
-	1	-	1	1	2119740-1	TAG, IDENTIFICATION	67
-	2	2	2	2	2168078-1	SCREW, DRIVE, RH, RoHS, 2 x .188	66
-	1	1	1	1	2119793-1	LIMITER, ADJUSTMENT BOLT	63
-	3	3	3	3	992763-5	SCR, SET, SOC, CONE POINT, M3 x 4.0	62
-	-	-	1	1	5-18022-5	SCR, HEX HD CAP, M4 X 6.0	59
-	1	1	1	1	985575-3	SCR, FLT SKT HD CAP M3 X 10.0	57
-	-	-	1	1	1338683-8	FEED PAWL	56
-	2	2	2	2	1-2168083-0	SCR, SKT HD CAP, RoHS, M4 X 10	53
-	1	1	1	1	5018030-1	NUT, HEX, REG, RoHS, M3	52
-	1	1	1	1	811242-5	BUMPER, HOLD DOWN	51
-	1	1	1	1	690753-2	SPACER, TONKER	50
-	-	-	1	2	18023-9	SCR, SKT HD CAP M4 X 6.0	49
-	-	-	-	1	2119652-1	FEED CAM, PRE FEED	48
-	1	1	1	1	2079383-7	SCR, BHSC, RoHS (M8 X 25)	41
-	1	1	1	1	2119645-1	DISC, NUMBERED FA WIRE ADJUSTMENT	40
-	1	1	1	1	2119957-1	APPLICATOR SHIM PACK	39
-	1	1	1	1	2119644-1	RAM WASHER, PRECISION	38
-	1	1	1	1	1752356-1	SUPPORT, TERMINAL	34
-	2	2	2	2	2079383-5	SCR, BHSC, RoHS (M4 X 20)	33
-	1	1	1	1	2161328-1	HEX HEAD, FLANGED, M5 x 8mm LONG	32
-	1	1	1	1	1-1320908-0	SPACER, STRIP GUIDE	30
-	1	1	1	1	2119959-1	ASSEMBLY, STRIP GUIDE	29
-	1	1	1	1	455888-3	SPACER, CRIMPER	28
-	1	1	1	1	1320928-2	STRIP GUIDE	24
-	1	1	1	1	2168083-2	SCR, SKT HD CAP, RoHS, M4 X 8.0	21
-	2	2	2	2	1-18028-2	WASHER, FLAT, REG M4	20
-	1	1	1	1	2119533-1	STRIPPER, SIDE FEED	19
-	1	1	1	1	2119806-1	INSERT, SHEAR	13
-	1	1	1	1	3-22280-3	SPRING, COMPRESSION	12
-	1	1	1	1	1-356885-4	STOP, SHEAR	11
-	1	1	1	1	2119805-1	SHEAR HOLDER, FRONT	10
-	1	1	1	1	318707-1	FLOATING SHEAR, FRONT	9
-	1	1	1	1	2-1803249-1	ANVIL, COMBINATION	8
-	-	-	-	-	-	-	7
-	-	-	-	-	-	-	6
-	1	1	1	1	2119781-1	DEPRESSOR, SHEAR	5
-	1	1	1	1	3-238011-3	BLOCK, CRIMPER SPACER	4
-	1	1	1	1	8-1803018-4	CRIMPER, INSULATION O	3
-	1	1	1	1	1-455888-0	SPACER, CRIMPER	2
-	1	1	1	1	4-1803188-4	CRIMPER, WIRE	1

DIMENSIONS:		TOLERANCES UNLESS OTHERWISE SPECIFIED:		OWN		NAME	
mm	0 PLC	±		B. WEAVER	30SEP2015	TE Connectivity	
	1 PLC	±		T. ELBIN	30SEP2015	Harrisburg, PA 17105-3608	
	2 PLC	±		APVD		Ocean Side Feed	
	3 PLC	±		PRODUCT SPEC		Applicator	
	4 PLC	±		APPLICATION SPEC			
	5 PLC	±		WEIGHT		RESTRICTED TO	
	FINISH	±		SCALE		SHEET 3 OF 4	
				Customer Accessible Production Drawing		REV A	

