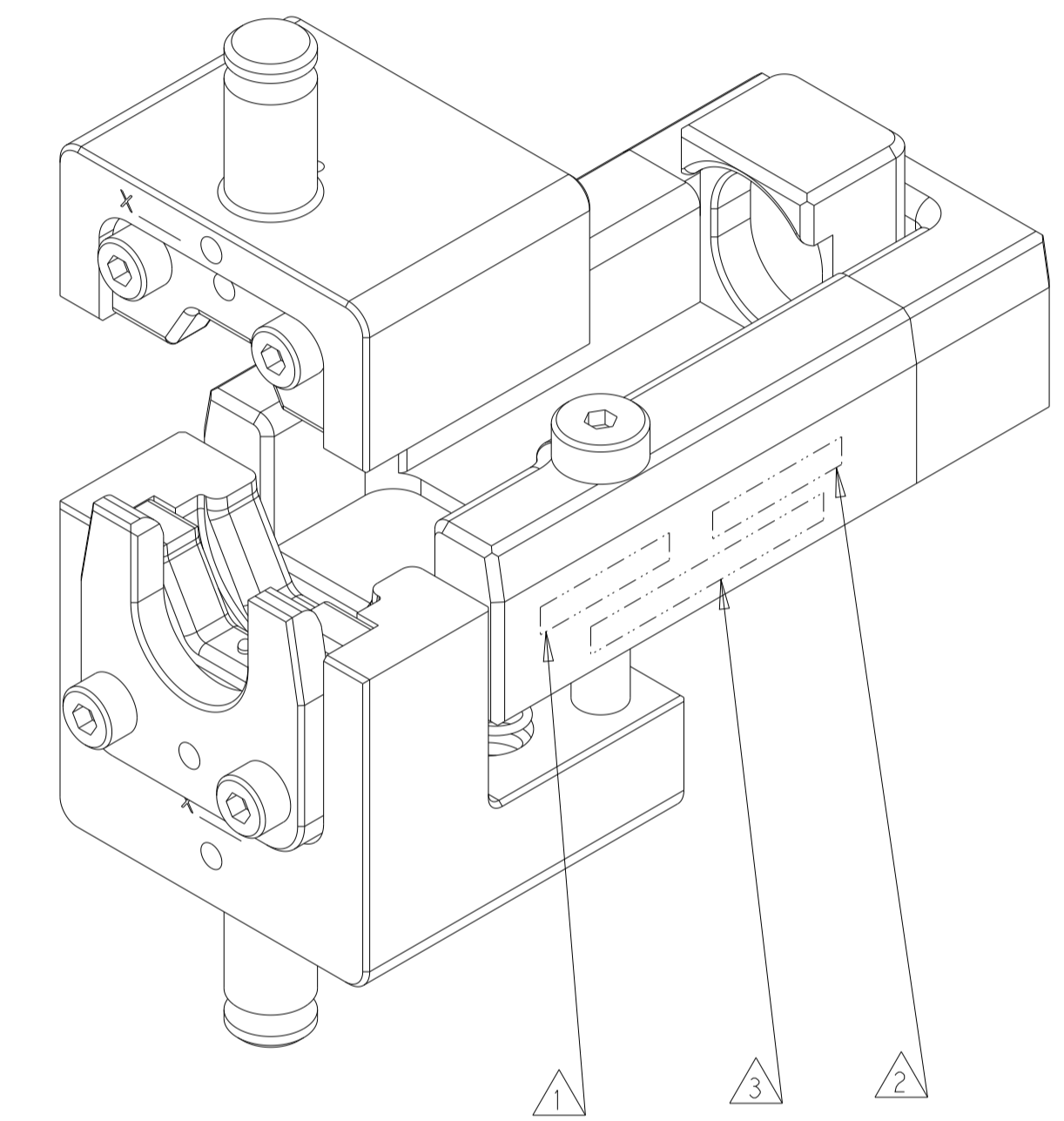
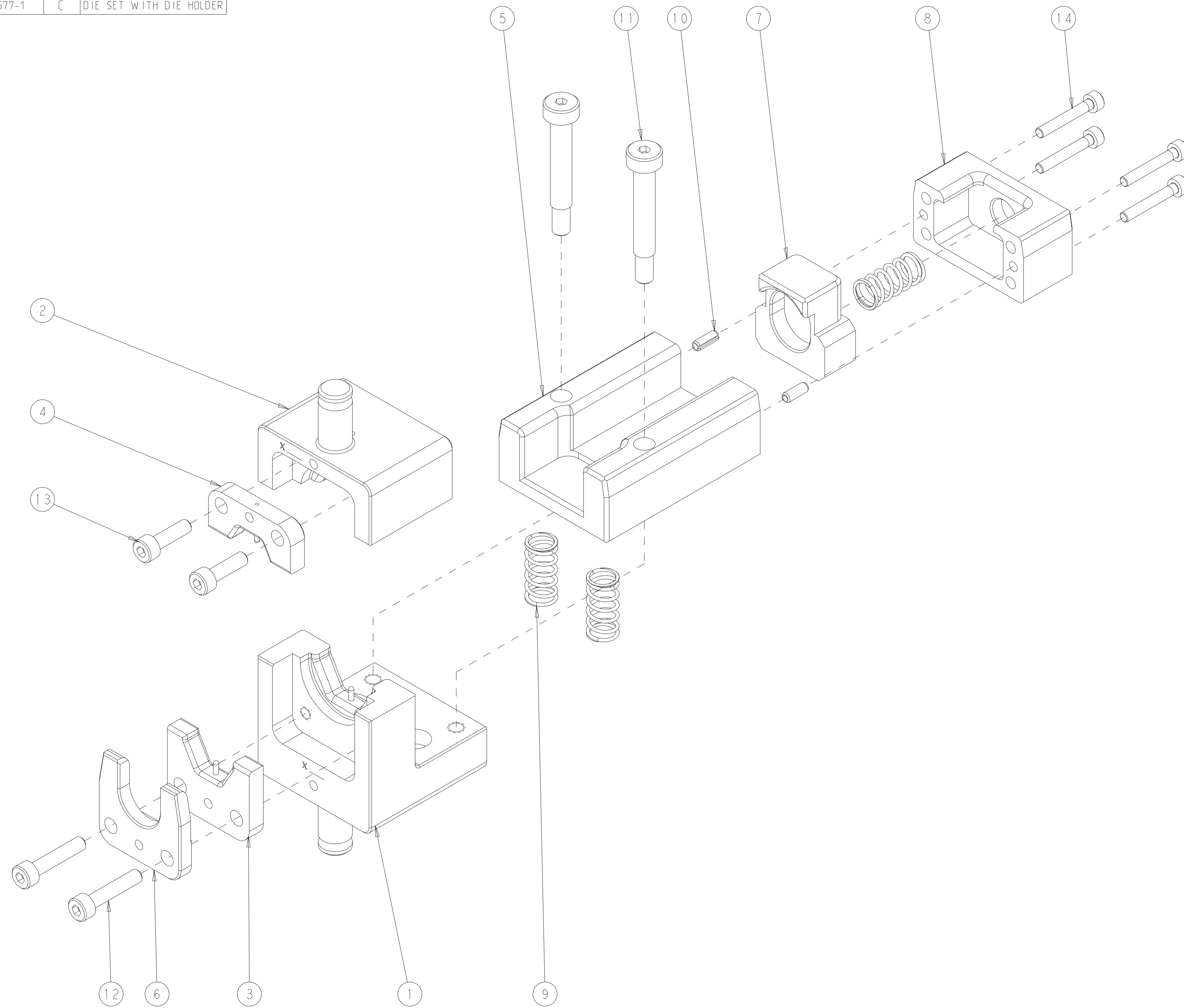


PART NUMBER	REV	DESCRIPTION
2326577-1	C	HV DIE SET
7-2326577-7	C	CRIMP TOOLING KIT
9-2326577-1	C	DIE SET WITH DIE HOLDER

REVISIONS					
P	LTN	DESCRIPTION	DATE	OWN	APPD
A		RELEASED	22OCT2018	CAK	RK
B		ECR-18-017478	14NOV2018	CAK	CAM
B1		ECR-21-003670	30MAR2021	JL	YY
C		REVISED PER ECR-23-164820	28JAN2023	GK	KH

TERMINAL NAME	HVP 800-180 FERRULE 50MM2		
TE TERMINAL PART NUMBER	2177060-3	2177061-X	2177090-1
APPLICATION SPECIFICATION	114-94130		
USED ON	2305470-1	2326378-1	
INSTRUCTION SHEET	408-35057		

CABLE SUPPLIER/SPECIFICATION	CABLE SIZE	CRIMP HEIGHT INSULATION	CRIMP HEIGHT SHIELD	CRIMP WIDTH SHIELD	CRIMP HEIGHT REFERENCE SETTING
COROPLAST / LV216-2	50mm <sup>2</sup>	15.4±0.2	18.7±0.2	23 MAX	-



ITEM NO	QTY	UNIT	PART NO	DESCRIPTION	ITEM NO
1	-	-	2305470-1	HV DIE HOLDER WITH FINE ADJUST	100
4	-	4	18023-7	SCR, SKT HD CAP M3 X 20.0	14
2	2	2	9-18023-6	SCR, SKT HD CAP M4 X 14.0	13
2	2	2	1-18023-4	SCR, SKT HD CAP M4 X 20.0	12
2	-	2	993127-9	SCR, SKT HD SHLDR 6.0 DIA X 30.0	11
2	-	2	6-993111-4	PIN, SLOTTED SPRING 3.0 X 8.0	10
3	-	3	3-22282-1	SPRING, COMPRESSION	9
1	-	1	2326587-1	HOUSING, TERMINAL STOP	8
1	-	1	2326588-1	STOP, TERMINAL	7
1	-	1	2326585-3	STOP, SHIELD	6
1	-	1	2326586-1	HOUSING, LOCATOR	5
1	1	1	2326582-3	INSERT HVM HEX UPPER	4
1	1	1	2406204-1	INSERT HVM HEX LOWER	3
1	1	1	2326580-1	CRIMPER HVM HEX	2
1	1	1	2406203-1	NEST HVM HEX	1
-91	-77	-1	PART NO	DESCRIPTION	ITEM NO

- 1 APPLY "DIE SET PN" PER TEC-115-67-2 IN APPROXIMATE AREA SHOWN.
- 2 IDENTIFY PART NUMBER AND REVISION LETTER PER TEC-115-67-2 IN APPROXIMATE AREA SHOWN.
- 3 IDENTIFY SERIAL NUMBER PER TEC-115-67-2 IN APPROXIMATE AREA SHOWN.
- 4. TORQUE RECOMMENDATIONS PER 101-35000 UNLESS OTHERWISE SPECIFIED.

THIS DRAWING IS A CONTROLLED DOCUMENT.		OWN C. KERSTELTHER 11SEP2018	NAME DIE ASM HV800-180 SHIELD 50mm2
DIMENSIONS: mm		CHK A. WHITCOMB 11SEP2018	RESTRICTED TO
TOLERANCES UNLESS OTHERWISE SPECIFIED: 0 PLC ±0.5 1 PLC ±0.13 2 PLC ±0.13 3 PLC ±0.013 4 PLC ±0.013 ANGLES ±0°30'		APVD B. KEENEY 11SEP2018	SCALE 3:2
MATERIAL		SIZE A100779	DRAWING NO C=2326577
CUSTOMER ACCESSIBLE PRODUCTION DRAWING		WEIGHT	SHEET 1 OF 1
		REV	C