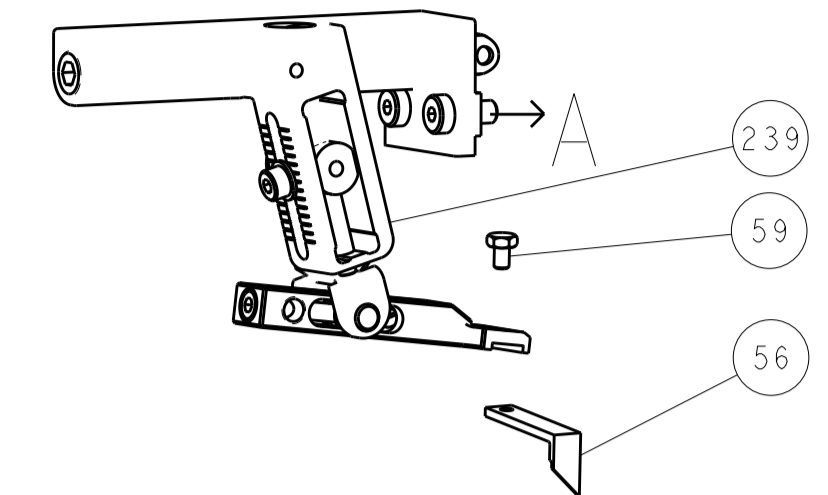
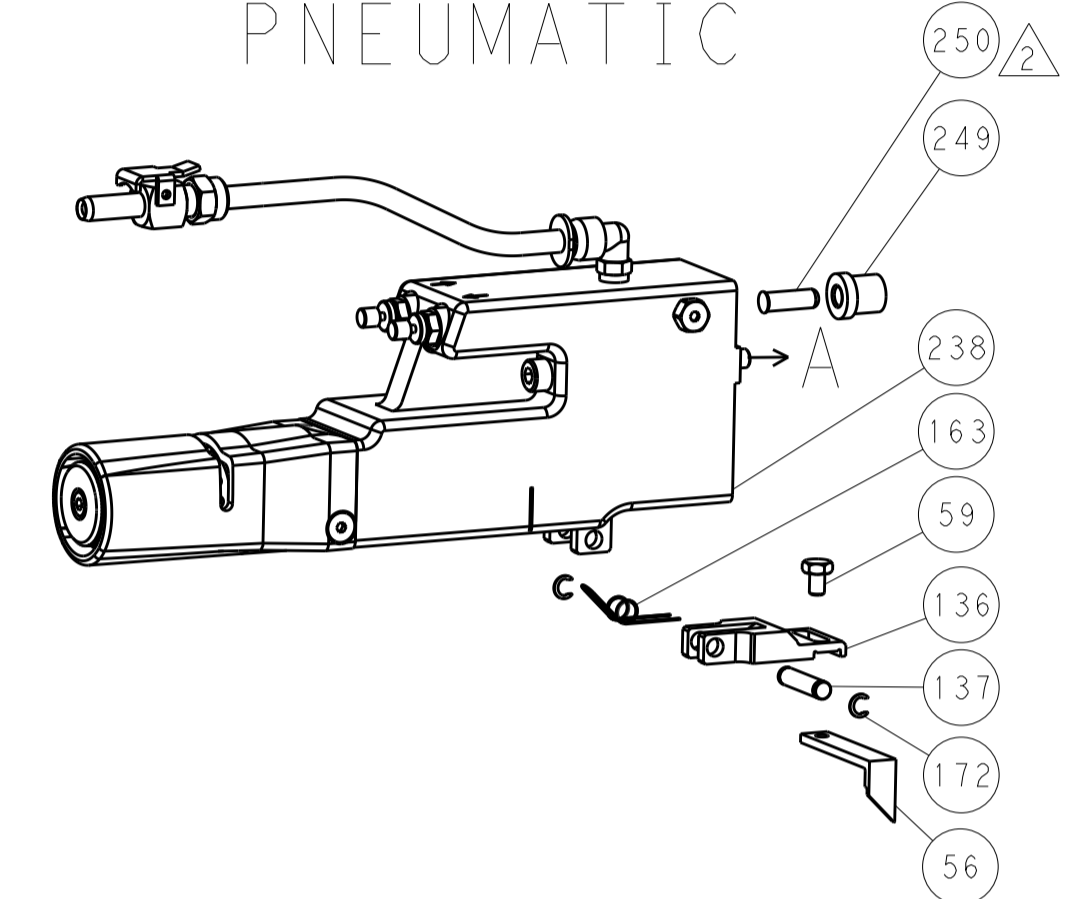


LOC		DIST		REVISIONS			
A	66	P	LTM	DESCRIPTION	DATE	DWN	APVD
		-		SEE SHEET 1			

FEED TYPE MECHANICAL



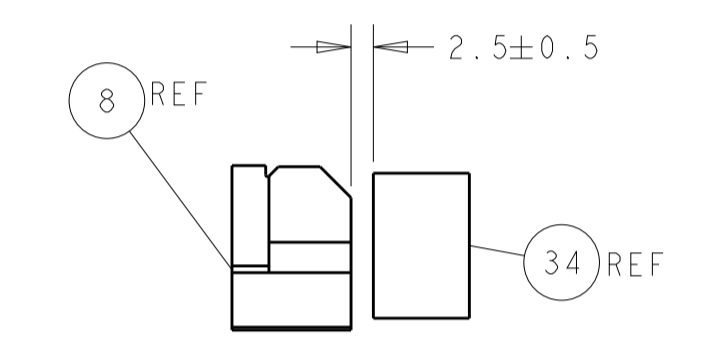
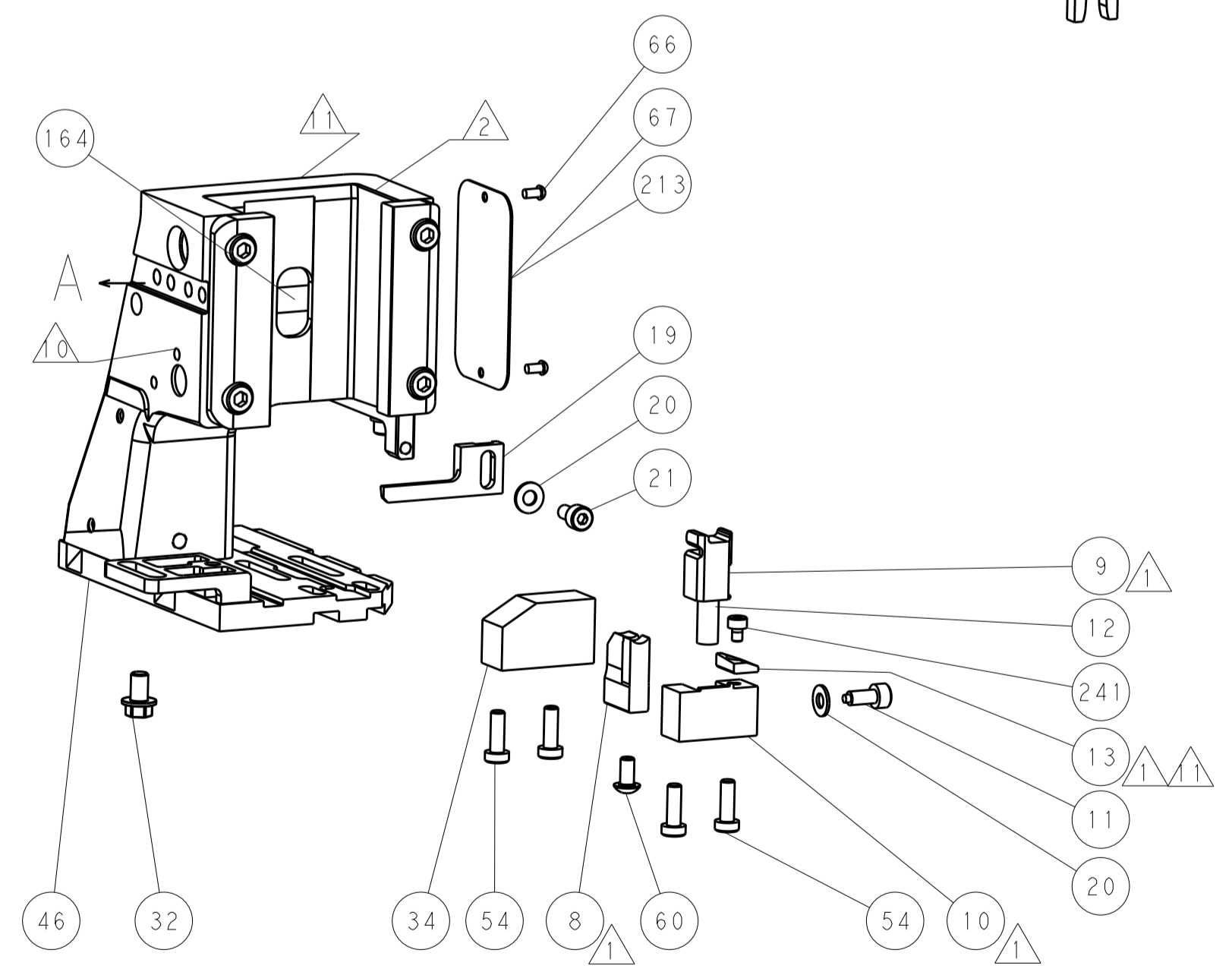
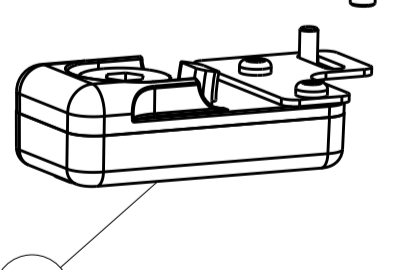
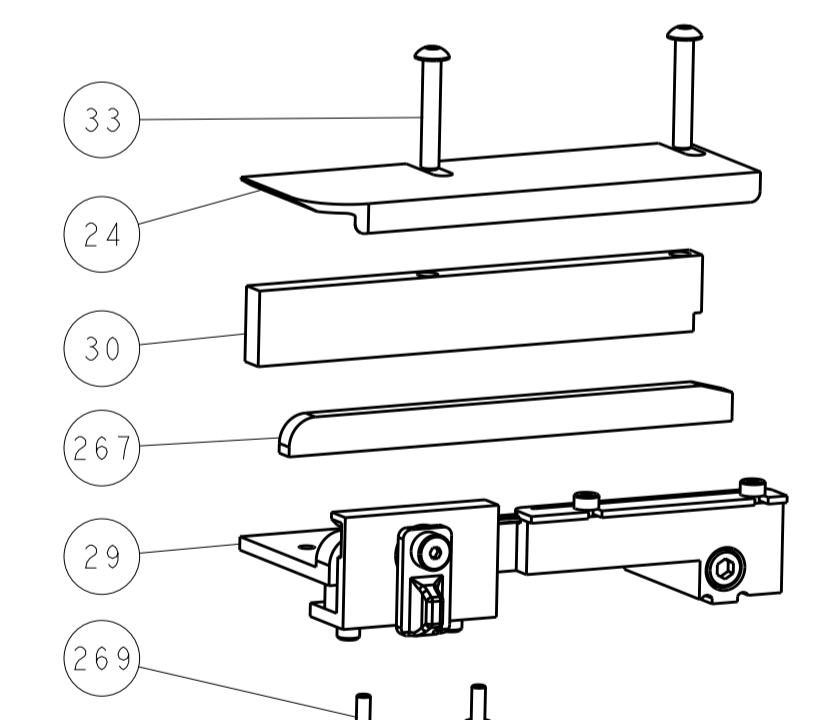
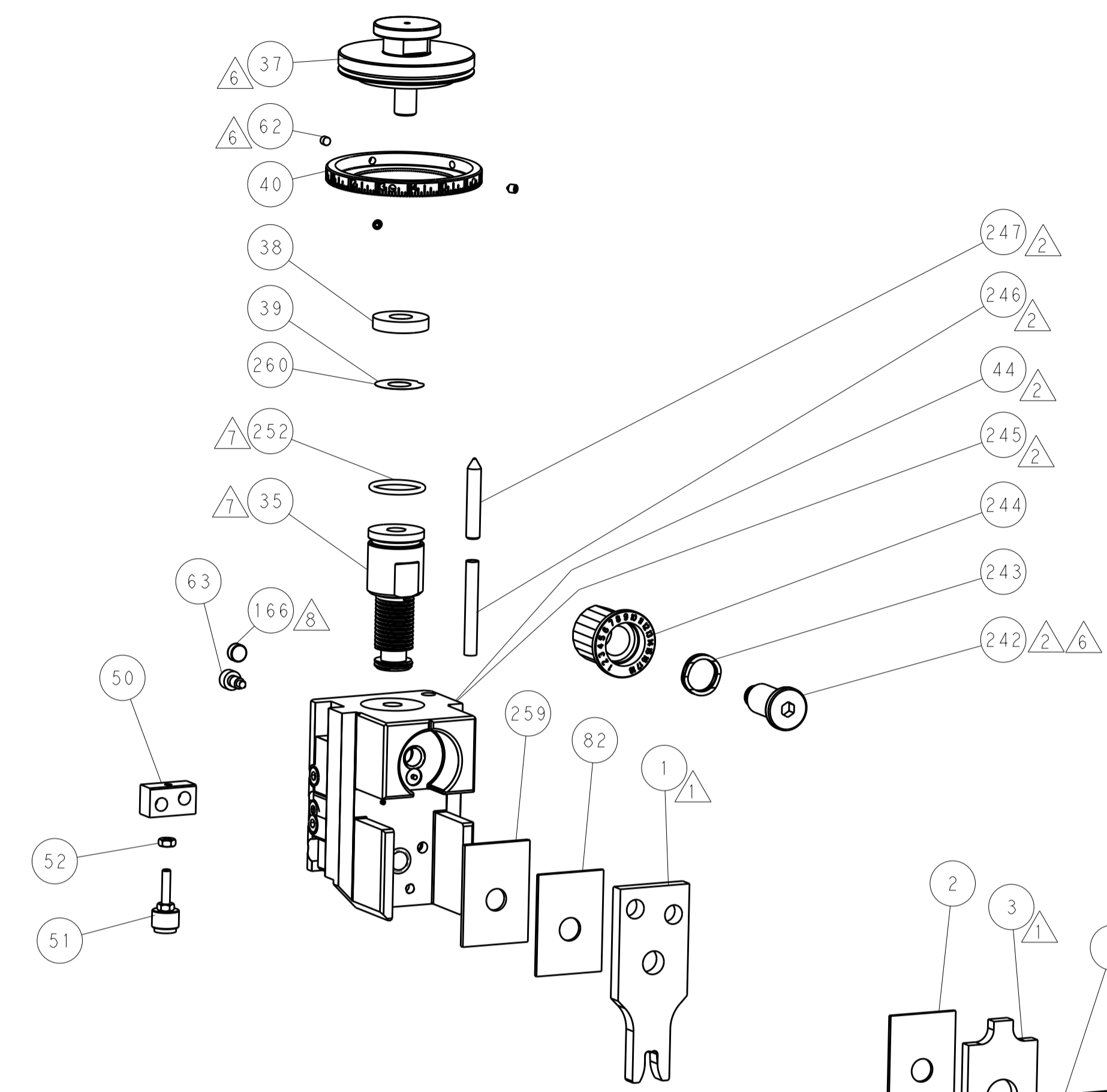
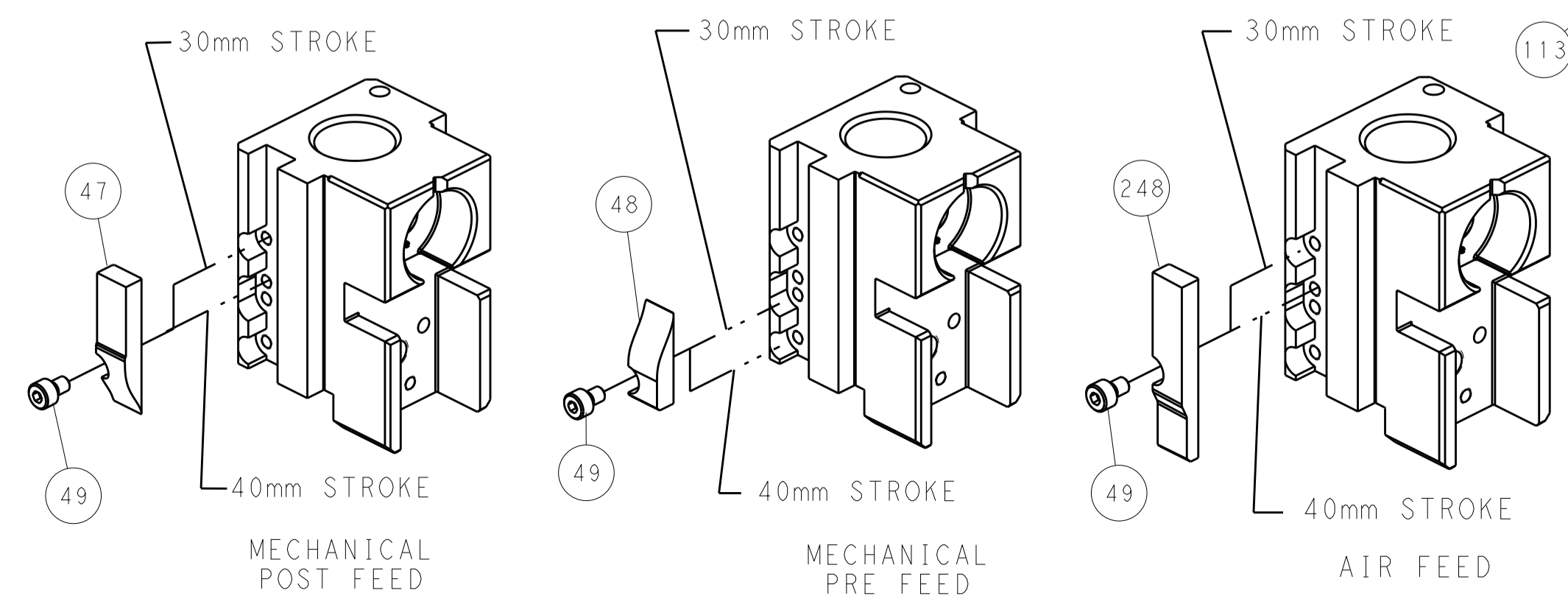
PNEUMATIC



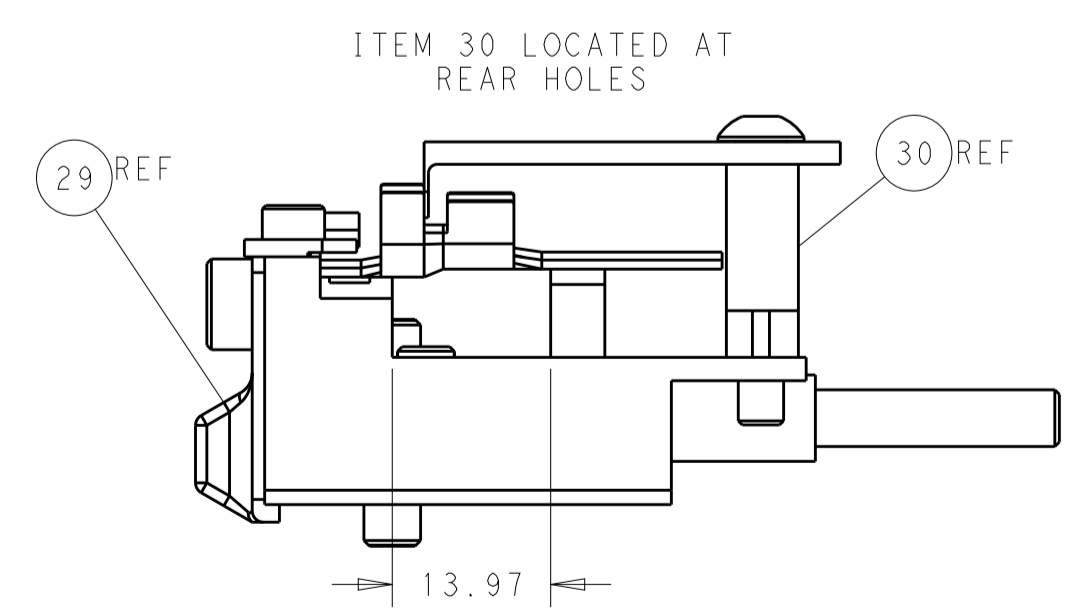
SERVO LATCH PLATE



CAM POSITIONS



TERMINAL SUPPORT LOCATION



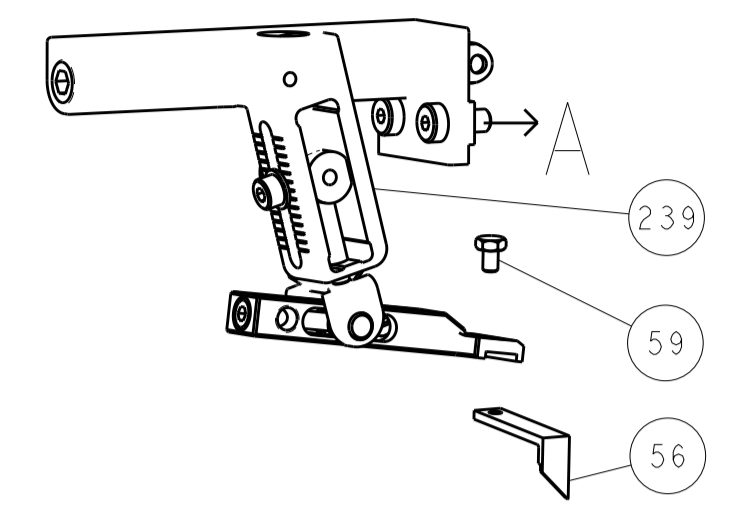
FEED TRACK POSITION GUIDE BY INSULATION BARREL

ATLANTIC VERSION
 Shown on sheets 1 of 4 & 2 of 4
 (Pacific version shown on sheets 3 of 4 & 4 of 4)

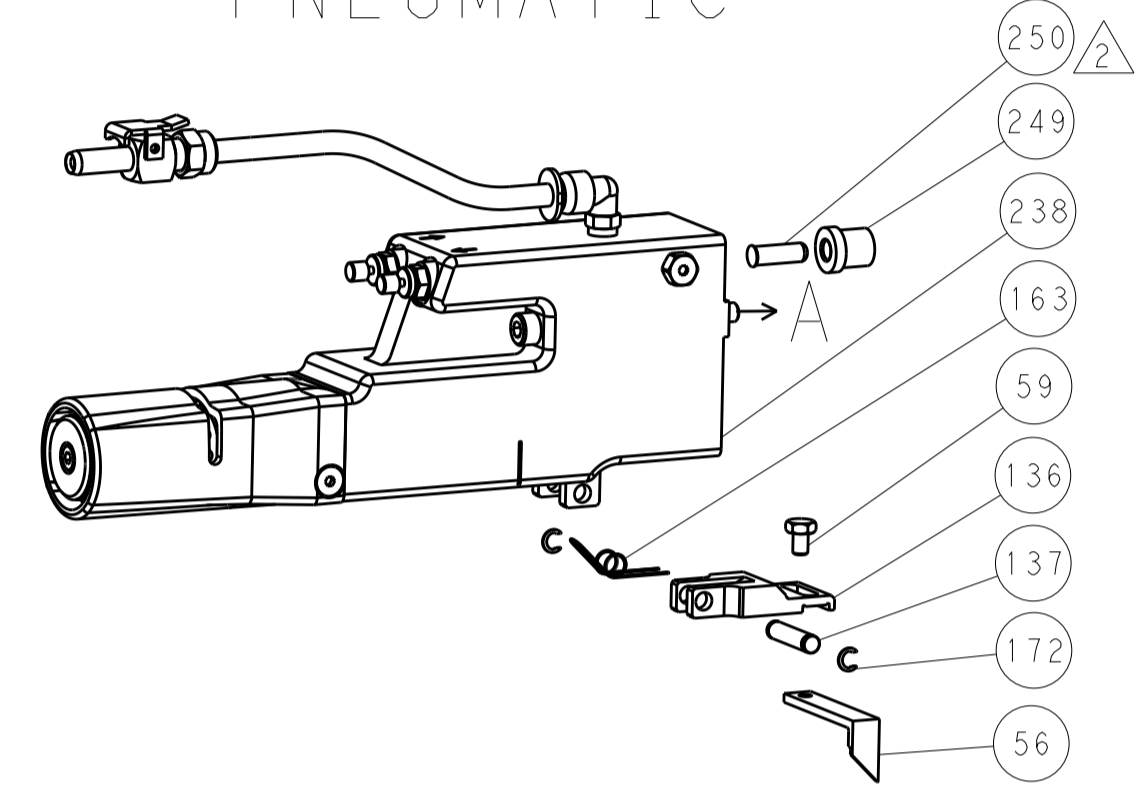
DIMENSIONS:		TOLERANCES UNLESS OTHERWISE SPECIFIED:		DWN: J. HOU 22 JUL 2015		TE Connectivity	
mm	0 PLC ±	1 PLC ±	2 PLC ±	3 PLC ±	4 PLC ±	5 PLC ±	Harrisburg, PA 17105-3608
MATERIAL:		FINISH:		CHK: L. ZHANG 22 JUL 2015		NAME: Ocean Side Feed Applicator	
				APVD: H. GUO 22 JUL 2015		PRODUCT SPEC:	
						APPLICATION SPEC:	
				WEIGHT:		SIZE: CAGE CODE: DRAWING NO: RESTRICTED TO	
				A1 00779 ©=2266920		SCALE: 1:2 SHEET 2 OF 4 REV A	
				Customer Accessible Production Drawing		SHEETS 3 & 4 ARE NOT REQUIRED FOR ATLANTIC VERSION	

LOC		DIST		REVISIONS			
A	66	P	LTM	DESCRIPTION	DATE	DWN	APVD
		-		SEE SHEET 1			

FEED TYPE MECHANICAL



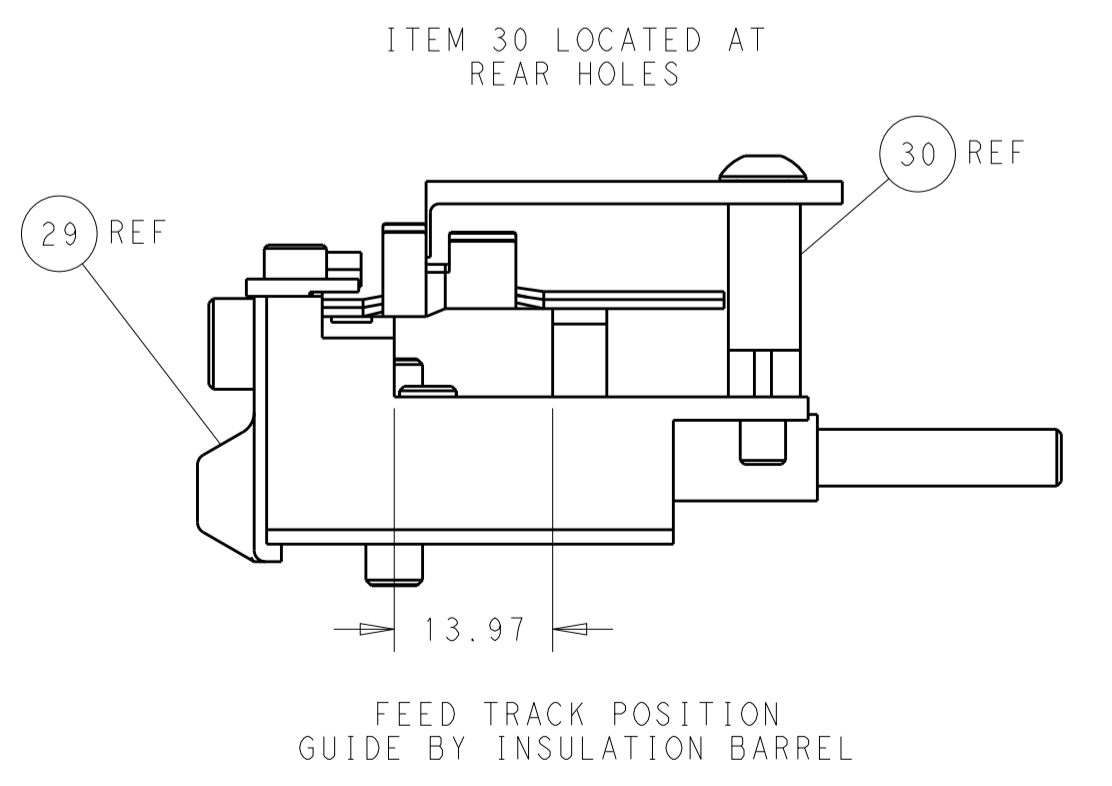
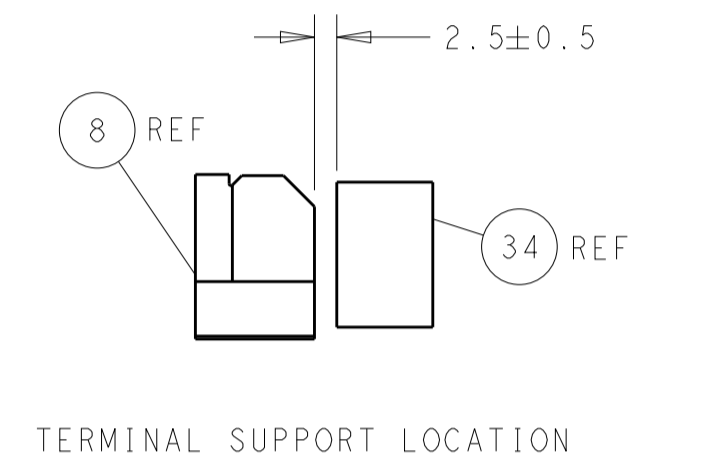
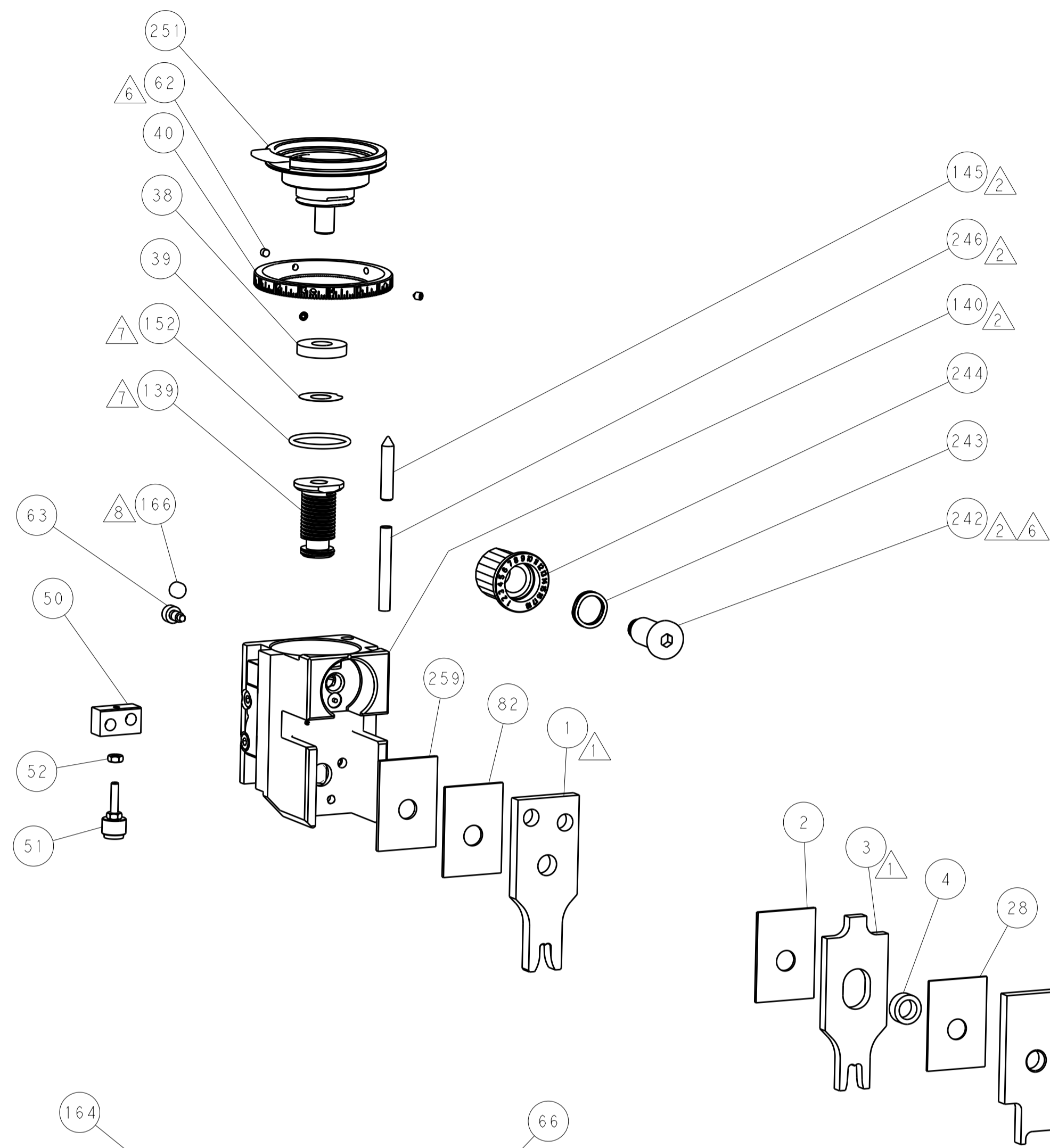
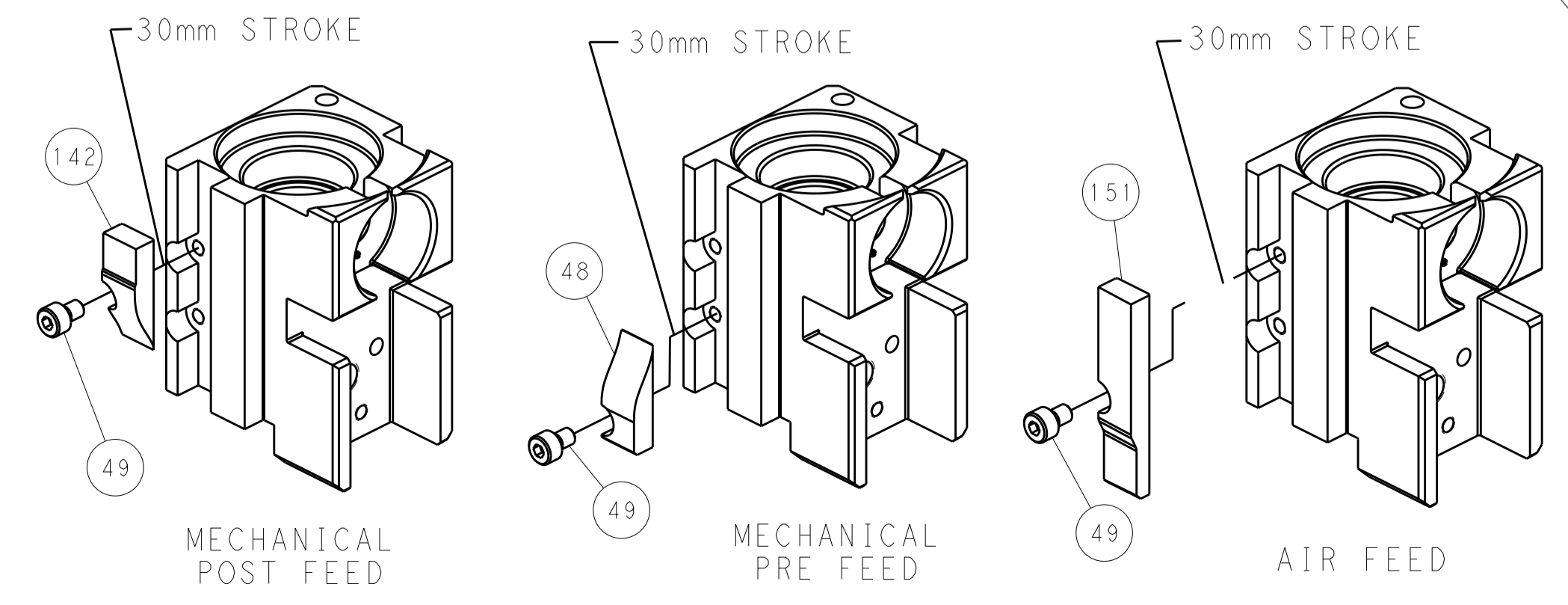
PNEUMATIC



SERVO LATCH PLATE



CAM POSITIONS



PACIFIC VERSION
 Shown on sheets 3 of 4 & 4 of 4
 (Atlantic version shown on sheets 1 of 4 & 2 of 4)

DIMENSIONS:		TOLERANCES UNLESS OTHERWISE SPECIFIED:		DWN: J. HOU 22 JUL 2015		CHK: L. ZHANG 22 JUL 2015		APVD: H. GUO 22 JUL 2015		NAME: Ocean Side Feed Applicator	
mm	0 PLC	±		SIZE	CAGE CODE	DRAWING NO	RESTRICTED TO	STE TE Connectivity Harrisburg, PA 17105-3608			
	1 PLC	±		SCALE	1:2			Customer Accessible Production Drawing			
	2 PLC	±		SHEET	4	OF	4	REV A			
	3 PLC	±		WEIGHT		A 00779		C=2266920			
	4 PLC	±		MATERIAL				SCALE		1:2	
	ANGLES	±		FINISH				SHEET		4	