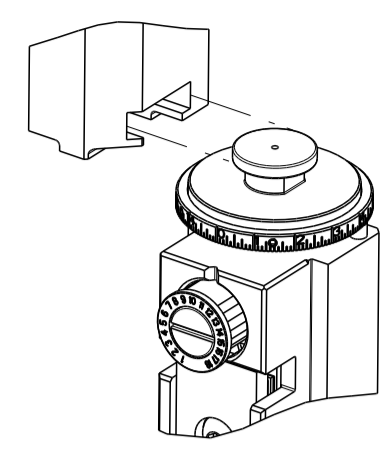


PART NUMBER	REVISION	DESCRIPTION	FEED TYPE
2266907-1	B	FINE CRIMP HEIGHT ADJUST	MECHANICAL
2266907-2	B	FINE CRIMP HEIGHT ADJUST	PNEUMATIC
7-2266907-1	B	MECHANICAL AND CRIMP TOOLING KIT	MECHANICAL
7-2266907-2	B	PNEUMATIC AND CRIMP TOOLING KIT	PNEUMATIC
7-2266907-7	A	CRIMP TOOLING KIT	-

ATLANTIC VERSION TERMINATOR INTERFACE ADAPTER

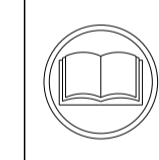


APPLICATOR DATA		
CRIMP	SIZE	TYPE
WIRE	1.52 mm [.060]	F
INSUL	1.88 mm [.074]	F

APPLICATOR INSTRUCTIONS
408-35042

TERMINAL DATA: DELPHI TERMINAL DELPHI PACKARD CRIMP SPECIFICATION			
TERMINAL NAME: TAXI TERM F MICRO 64			
WIRE STRIP LENGTH	INSULATION DIAMETER RANGE		
3.54-4.31 mm [1.40-.170 IN]	Ø1.40-1.90 mm [0.55-.075 IN]		
TERMINAL APPLICATION SPECIFICATION 15356827 PAGE 11 OF 18 Rev-2013-10-30			
TERMINALS APPLIED			
TE TERMINAL	DELPHI TERMINAL	TE TERMINAL	DELPHI TERMINAL
2113798-1	15356827		

WIRE SIZE	CRIMP HEIGHT mm [INCH]	CRIMP HEIGHT REFERENCE SETTING
0.75mm2	1.05 +/- 0.05 [0.041 +/- .002]	5.5
0.50mm2	0.95 +/- 0.05 [0.037 +/- .002]	6.5



- △ RECOMMENDED SPARE PARTS
- △ REFER TO SUPPLIED INSTRUCTION SHEET FOR CLEANING, LUBRICATION AND STORAGE OF APPLICATOR.
- △ APPLY PART NUMBER 2-23419-6 LOCTITE TO THREADS OF ITEM 242.
- △ CRIMP HEIGHT REFERENCE SETTING WAS THE SETTING USED WHEN THE APPLICATOR WAS QUALIFIED AT THE FACTORY. ADJUSTMENT MAY BE NECESSARY WHEN RUNNING APPLICATOR IN THE FIELD.
- 5. UNLESS SPECIFIED OTHERWISE TORQUE VALUES SHALL BE USED PER DOCUMENT, 101-35000.

***WARNING**
 ON INSTALLATION, SET WIRE DISC TO CRIMP HEIGHT REFERENCE SETTING FOR LARGEST WIRE SIZE. CRIMP HEIGHT REFERENCE SETTINGS GREATER THAN THE VALUE SHOWN MAY CAUSE DAMAGE TO THE CRIMP TOOLING. REFER TO THE INSTRUCTION SHEET FOR PROPER SETUP AND ADJUSTMENTS.

LOC	DIST	REVISIONS					
		P	LTN	DESCRIPTION	DATE	DWN	APVD
A	66	A		RELEASED	23SEP2015	KH	GB
		B		ECR-22-144986	05JUL2022	TB	GB

-	1	-	1	-	2119641-1	FEED CAM, AIR FEED	248					
-	1	1	1	1	2119082-5	CAM, SNAIL, INSULATION ADJUSTMENT	244					
-	1	1	1	1	2079764-1	WASHER, WAVE SPRING, CREST-TO-CREST	243					
△	-	1	1	1	2119083-1	RETAINER, INSULATION DIAL	242					
-	1	1	1	1	7-18023-7	SCR, SKT HD CAP M3 X 4.0	241					
-	-	1	-	1	2119580-1	MECHANICAL FEED ASSEMBLY	239					
-	1	-	1	-	2844940-1	AIR FEED MODULE	238					
-	REF	REF	REF	REF	994970-2	COUNTER, MAGNETIC	164					
-	1	1	1	1	2844908-1	SCREW, LOCKING	99					
-	1	1	1	1	2844907-1	POST, LOCKING	98					
-	1	1	1	1	455888-5	SPACER, CRIMPER	82					
-	1	1	1	1	1803607-3	DOCUMENTATION PACKAGE	71					
-	1	1	1	1	2119791-9	DEPRESSOR, WIRE	70					
-	1	1	1	1	2119740-1	TAG IDENTIFICATION	67					
-	2	2	2	2	2168078-1	SCREW, DRIVE, RH, RoHS, 2 x .188	66					
-	1	1	1	1	2168083-2	SCR, SKT HD CAP, RoHS, M4 X 8.0	60					
-	1	1	1	1	5-18022-5	SCR, HEX HD CAP, M4 X 6.0	59					
-	1	1	1	1	1338685-1	PAWL, FEED	56					
-	4	4	4	4	2168083-3	SCR, SKT HD CAP, RoHS, M4 X 12.0	54					
-	2	2	2	2	1-2168083-0	SCR, SKT HD CAP, RoHS, M4 X 10	53					
-	1	1	1	1	5018030-1	NUT, HEX, REG, RoHS, M3	52					
-	1	1	1	1	811242-5	BUMPER, HOLD DOWN	51					
-	1	1	1	1	690753-2	SPACER, TONKER	50					
-	1	2	1	2	18023-9	SCR, SKT HD CAP M4 X 6.0	49					
-	-	1	-	1	2119652-1	FEED CAM, PRE FEED	48					
-	-	1	-	1	2119653-1	FEED CAM, POST FEED	47					
-	1	1	1	1	1803583-9	APPLICATOR BASIC ASSEMBLY, SF	46					
-	1	1	1	1	1803515-1	RAM ASSEMBLY, SF ATLANTIC	44					
-	1	1	1	1	1803602-1	SCR, BHSC, RoHS (M8 X 25)	41					
-	1	1	1	1	1752356-6	SUPPORT, TERMINAL	34					
-	2	2	2	2	2079383-5	SCR, BHSC, RoHS (M4 X 20)	33					
-	2	2	2	2	2-2844962-6	SPACER, CYLINDRICAL, STRIP GUIDE	30					
-	1	1	1	1	2844992-1	ASSEMBLY, STRIP GUIDE	29					
-	1	1	1	1	1320928-2	STRIP GUIDE	24					
-	1	1	1	1	2168083-2	SCR, SKT HD CAP, RoHS, M4 X 8.0	21					
-	2	2	2	2	1-18028-2	WASHER, FLAT, REG M4	20					
-	1	1	1	1	2119533-1	STRIPPER, SIDE FEED	19					
△	-	1	1	1	2119806-1	INSERT, SHEAR	13					
-	1	1	1	1	3-22280-3	SPRING, COMPRESSION	12					
-	1	1	1	1	1-356885-4	STOP, SHEAR	11					
△	-	1	1	1	2119805-1	SHEAR HOLDER, FRONT	10					
△	-	1	1	1	1803095-6	FLOATING SHEAR, FRONT	9					
△	1	2	2	1	1	6-1803171-3	ANVIL, COMBINATION	8				
-	-	-	-	-	-	-	7					
-	-	-	-	-	-	-	6					
-	1	1	1	1	2119757-4	DEPRESSOR, SHEAR	5					
-	1	1	1	1	5-238011-6	BLOCK, CRIMPER SPACER	4					
△	1	2	2	1	1	9-1633962-6	CRIMPER, INSULATION F PREMIUM	3				
-	1	1	1	1	455888-4	SPACER, CRIMPER	2					
△	1	2	2	1	1	8-1633730-7	CRIMPER, WIRE	1				
-	77	-	72	-	71	-	2	-	1	PART NO	DESCRIPTION	ITEM NO

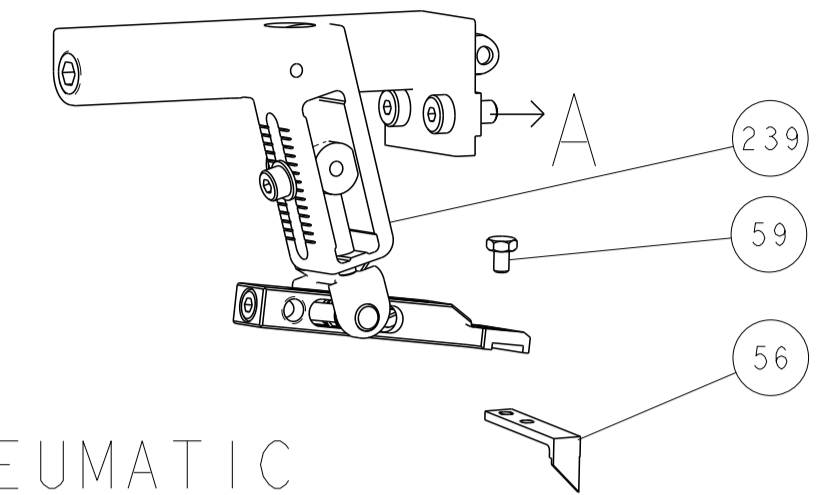
ATLANTIC VERSION
 Shown on sheets 1 of 4 & 2 of 4
 (Pacific version shown on sheets 3 of 4 & 4 of 4)

DIMENSIONS: mm		TOLERANCES UNLESS OTHERWISE SPECIFIED:		DWN: H. HUANG 06AUG2015		CHK: L. ZHANG 06AUG2015		APVD: J. GUO 06AUG2015		NAME: Ocean Side Feed Applicator	
0 PLC ±		1 PLC ±		2 PLC ±		3 PLC ±		4 PLC ±		SIZE: A1	
ANGLES		FINISH		WEIGHT		SCALE: 1:2		SHEET 1 OF 4		REV B	

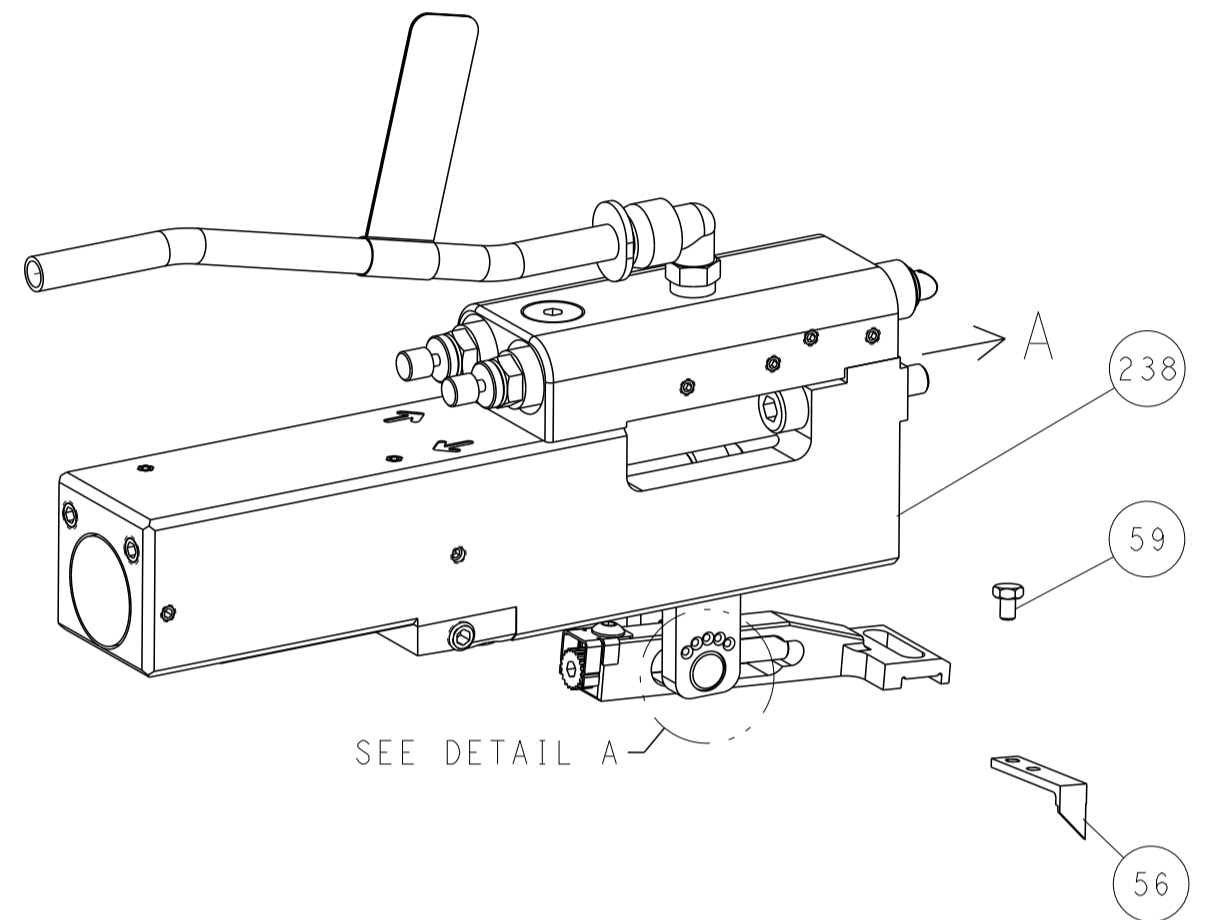
Customer Accessible Production Drawing

LOC		DIST		REVISIONS			
A	66	P	LTN	DESCRIPTION	DATE	OWN	APVD
		-		SEE SHEET 1	-	-	-

FEED TYPE MECHANICAL



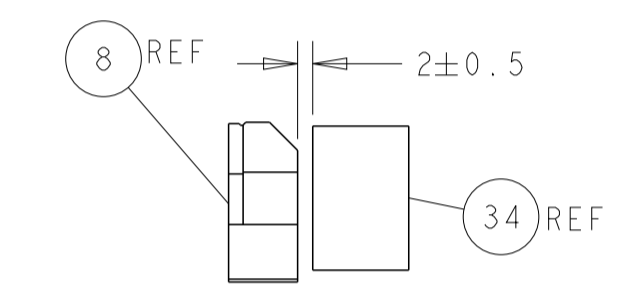
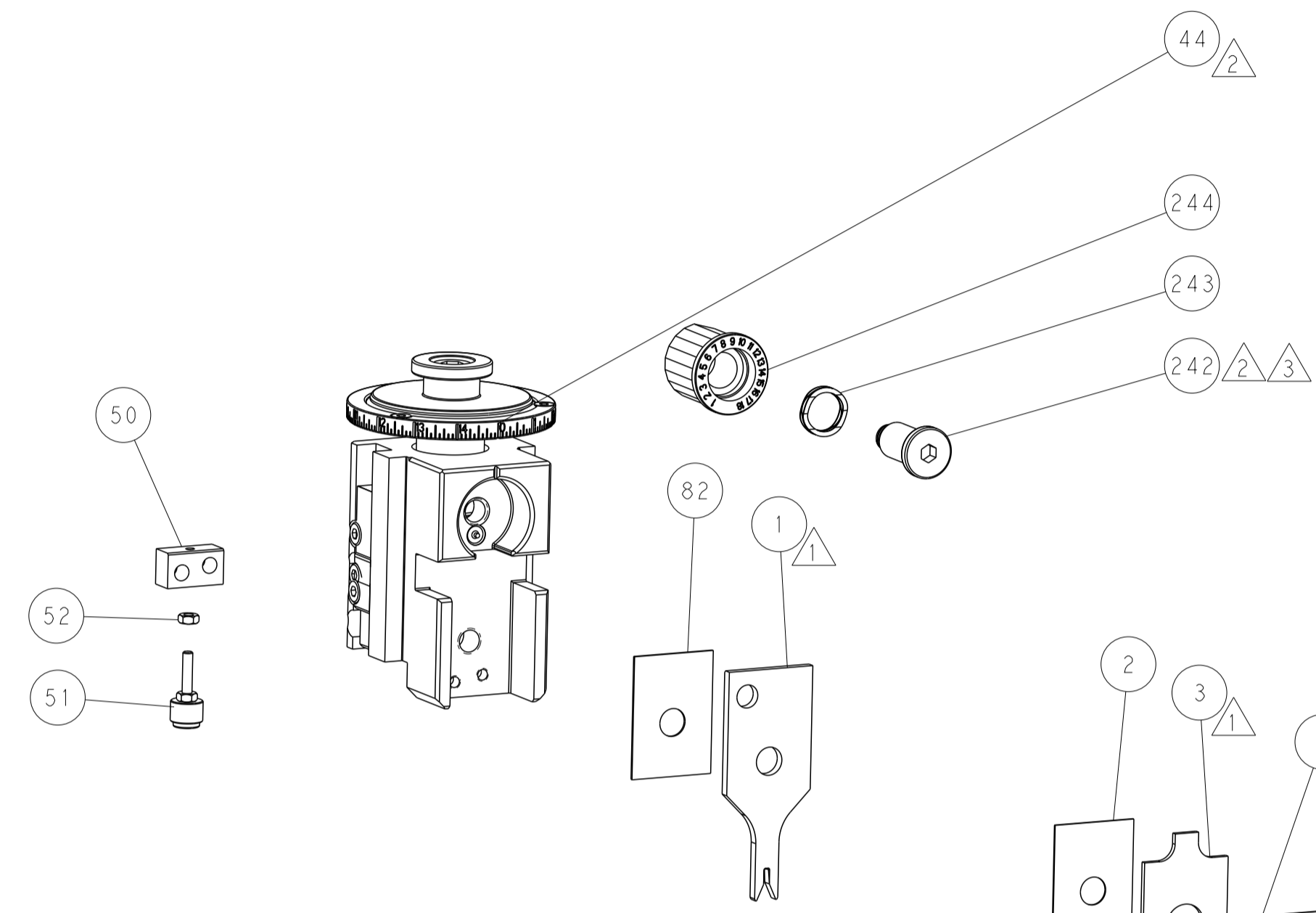
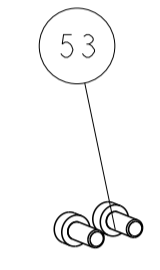
PNEUMATIC



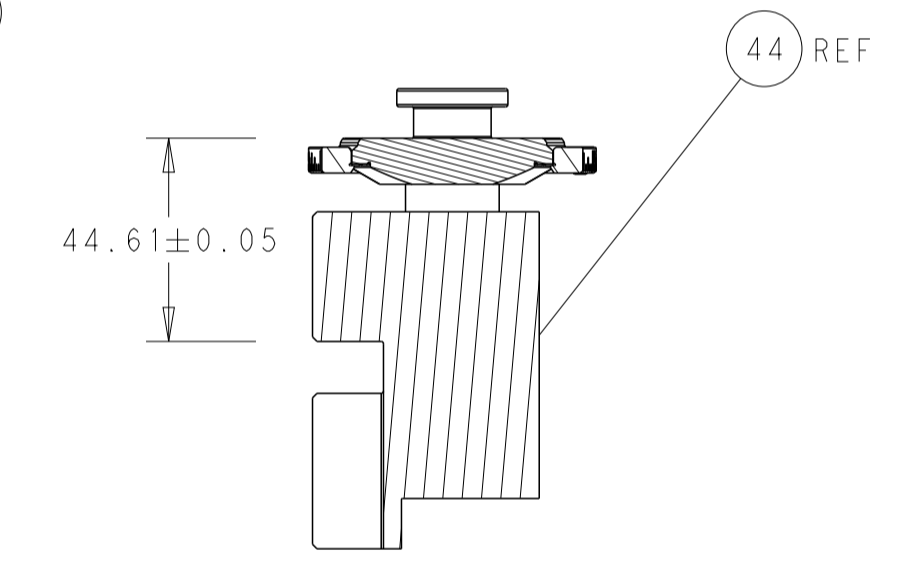
FEED SPRING SETTING POSITION (SHOWN FROM REAR SIDE)



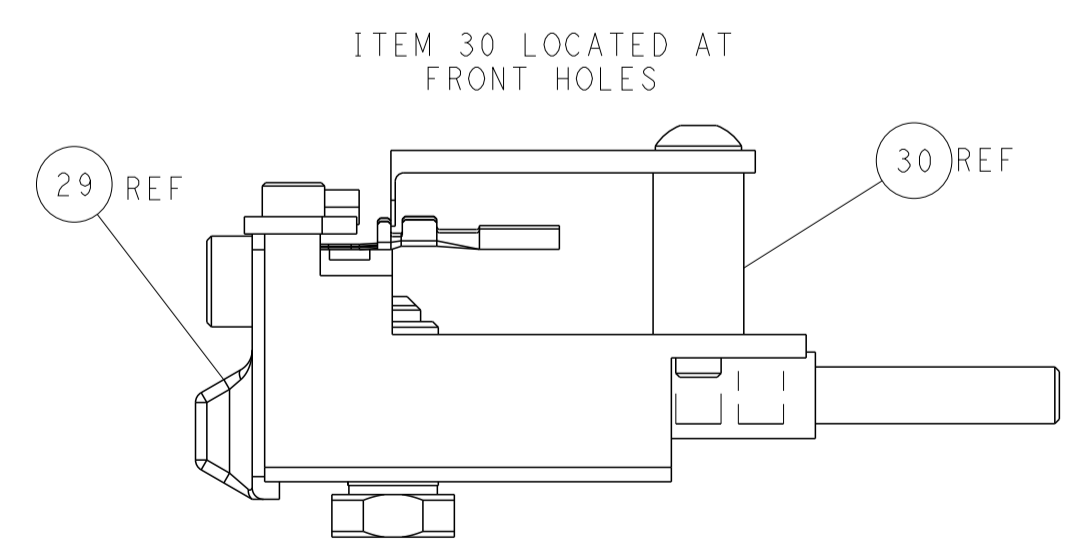
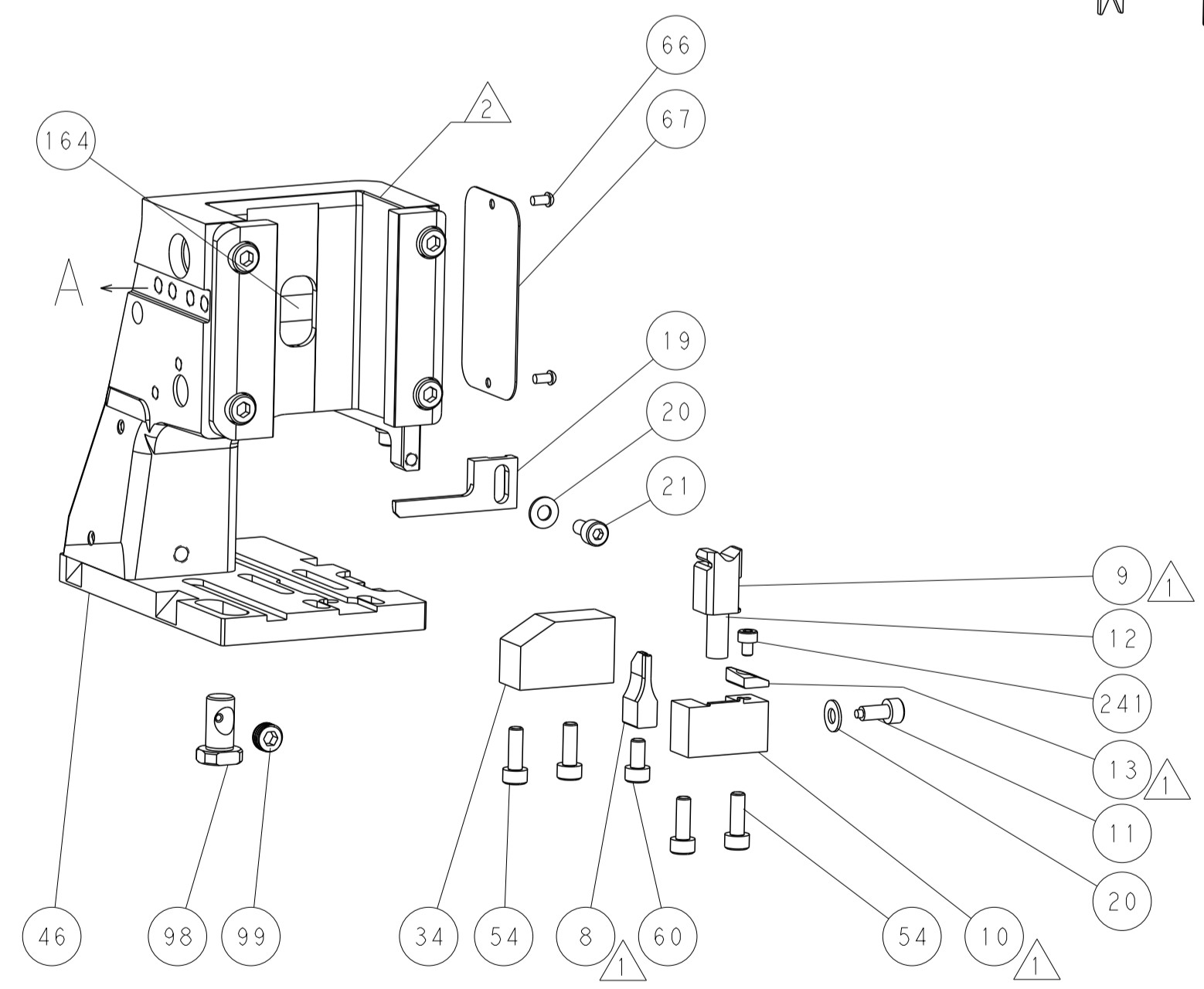
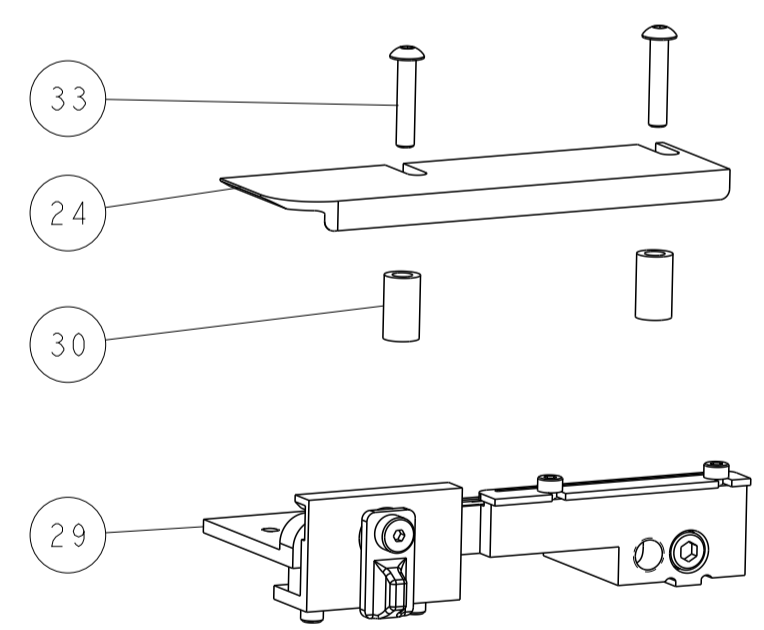
DETAIL A



TERMINAL SUPPORT LOCATION

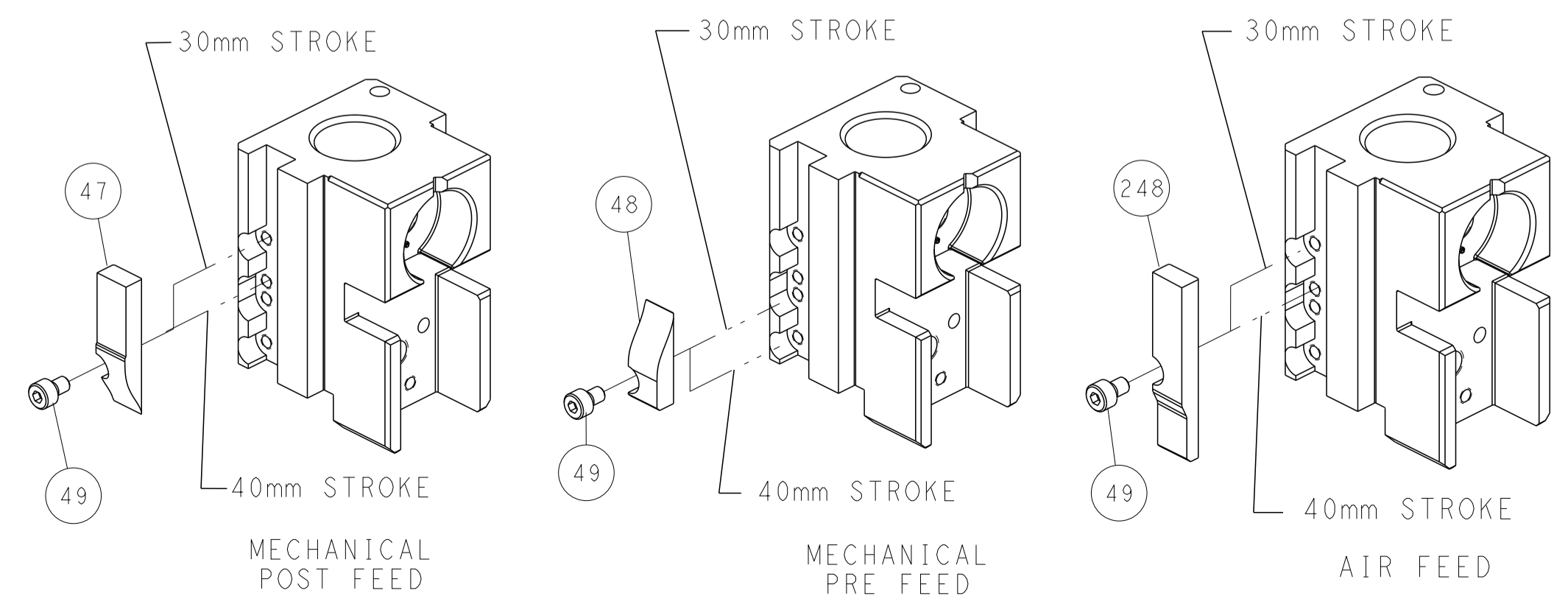


RAM SET-UP



FEED TRACK POSITION GUIDE BY INSULATION BARREL

CAM POSITIONS



ATLANTIC VERSION
 Shown on sheets 1 of 4 & 2 of 4
 (Pacific version shown on sheets 3 of 4 & 4 of 4)

DIMENSIONS:		TOLERANCES UNLESS OTHERWISE SPECIFIED:		DWN: H. HUANG 06AUG2015		TE Connectivity	
mm	0 PLC ±	1 PLC ±	2 PLC ±	3 PLC ±	4 PLC ±	Harrisburg, PA 17105-3608	
	ANGLES ±	FINISH		CHK: L. ZHANG 06AUG2015		NAME: Ocean Side Feed Applicator	
MATERIAL:				APVD: J. GUO 06AUG2015		RESTRICTED TO:	
				PRODUCT SPEC		SIZE: A1	
				APPLICATION SPEC		CAGE CODE: 00779	
				WEIGHT		DRAWING NO: 2266907	
				Customer Accessible Production Drawing		SCALE: 1:2	
						SHEET 2 OF 4	
						REV B	

PART NUMBER	REVISION	DESCRIPTION	FEED TYPE
2-2266907-1	B	FINE CRIMP HEIGHT ADJUST	MECHANICAL
2-2266907-2	B	FINE CRIMP HEIGHT ADJUST	PNEUMATIC
7-2266907-7	A	CRIMP TOOLING KIT	-

PACIFIC VERSION TERMINATOR
INTERFACE ADAPTER



APPLICATOR DATA		
CRIMP	SIZE	TYPE
WIRE	1.52 mm [.060]	F
INSUL	1.88 mm [.074]	F

APPLICATOR INSTRUCTIONS
408-35042

TERMINAL DATA: DELPHI TERMINAL DELPHI PACKARD CRIMP SPECIFICATION			
TERMINAL NAME: TAXI TERM F MICRO 64			
WIRE STRIP LENGTH 3.54-4.31 mm [1.40-.170 IN]		INSULATION DIAMETER RANGE 1.40-1.90 mm [.055-.075 IN]	
TERMINAL APPLICATION SPECIFICATION 15356827 PAGE 11 OF 18 Rev-2013-10-30			
TERMINALS APPLIED			
TE TERMINAL 2113798-1	DELPHI TERMINAL 15356827	TE TERMINAL	DELPHI TERMINAL

WIRE SIZE	CRIMP HEIGHT mm [INCH]	CRIMP HEIGHT REFERENCE SETTING
0.75mm ²	1.05 +/- 0.05 [1.041 +/- .002]	5.5
0.50mm ²	0.95 +/- 0.05 [1.037 +/- .002]	6.5

- RECOMMENDED SPARE PARTS
- REFER TO SUPPLIED INSTRUCTION SHEET FOR CLEANING, LUBRICATION AND STORAGE OF APPLICATOR.
- APPLY PART NUMBER 2-23419-6 LOCTITE TO THREADS OF ITEM 242.
- CRIMP HEIGHT REFERENCE SETTING WAS THE SETTING USED WHEN THE APPLICATOR WAS QUALIFIED AT THE FACTORY. ADJUSTMENT MAY BE NECESSARY WHEN RUNNING APPLICATOR IN THE FIELD.
- 5. UNLESS SPECIFIED OTHERWISE TORQUE VALUES SHALL BE USED PER DOCUMENT, 101-35000.

***WARNING**
ON INSTALLATION, SET WIRE DISC TO CRIMP HEIGHT REFERENCE SETTING FOR LARGEST WIRE SIZE. CRIMP HEIGHT REFERENCE SETTINGS GREATER THAN THE VALUE SHOWN MAY CAUSE DAMAGE TO THE CRIMP TOOLING. REFER TO THE INSTRUCTION SHEET FOR PROPER SETUP AND ADJUSTMENTS.

LOC	DIST	REVISIONS					
A	66	P	LTN	DESCRIPTION	DATE	DWN	APVD
-	-	-	-	SEE SHEET 1	-	-	-

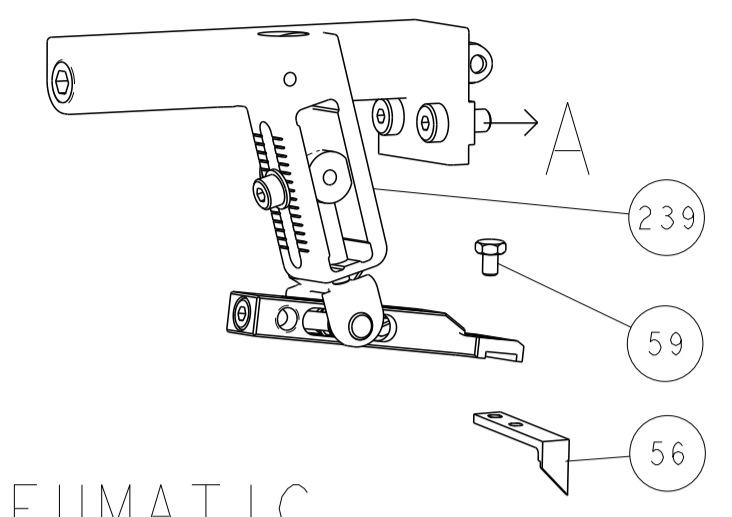
-	1	1	2119082-5	CAM, SNAIL, INSULATION ADJUSTMENT	244
-	1	1	2079764-1	WASHER, WAVE SPRING, CREST-TO-CREST	243
-	1	1	2119083-1	RETAINER, INSULATION DIAL	242
-	1	1	7-18023-7	SCR, SKT HD CAP M3 X 4.0	241
-	-	1	2119580-1	MECHANICAL FEED ASSEMBLY	239
-	1	-	2844940-1	AIR FEED MODULE	238
-	REF	REF	994970-2	COUNTER, MAGNETIC	164
-	1	-	2119641-2	FEED CAM, AIR FEED	151
-	1	1	2168083-8	SCR, SKT HD CAP, RoHS, M4 X 16	144
-	4	4	2168083-9	SCR, SKT HD CAP, RoHS, M4 X 20	143
-	-	1	2119653-2	FEED CAM, POST FEED	142
-	1	1	1-1803583-0	APPLICATOR BASIC ASSEMBLY, SF	141
-	1	1	1803516-1	RAM ASSEMBLY, SF PACIFIC	140
-	1	1	2844908-1	SCREW, LOCKING	99
-	1	1	2844907-1	POST, LOCKING	98
-	1	1	455888-5	SPACER, CRIMPER	82
-	1	1	1803607-3	DOCUMENTATION PACKAGE	71
-	1	1	2119791-9	DEPRESSOR, WIRE	70
-	1	1	2119740-1	TAG, IDENTIFICATION	67
-	2	2	2168078-1	SCREW, DRIVE, RH, RoHS, 2 x .188	66
-	1	1	5-18022-5	SCR, HEX HD CAP, M4 X 6.0	59
-	1	1	1338685-1	PAWL, FEED	56
-	2	2	1-2168083-0	SCR, SKT HD CAP, RoHS, M4 X 10	53
-	1	1	5018030-1	NUT, HEX, REG, RoHS, M3	52
-	1	1	811242-5	BUMPER, HOLD DOWN	51
-	1	1	690753-2	SPACER, TONKER	50
-	1	2	18023-9	SCR, SKT HD CAP M4 X 6.0	49
-	-	1	2119652-1	FEED CAM, PRE FEED	48
-	1	1	1803602-1	SCR, BHSC, RoHS (M8 X 25)	41
-	1	1	1752356-6	SUPPORT, TERMINAL	34
-	2	2	2079383-5	SCR, BHSC, RoHS (M4 X 20)	33
-	2	2	2-2844962-6	SPACER, CYLINDRICAL, STRIP GUIDE	30
-	1	1	2844992-1	ASSEMBLY, STRIP GUIDE	29
-	1	1	1320928-2	STRIP GUIDE	24
-	1	1	2168083-2	SCR, SKT HD CAP, RoHS, M4 X 8.0	21
-	2	2	1-18028-2	WASHER, FLAT, REG M4	20
-	1	1	2119533-1	STRIPPER, SIDE FEED	19
-	1	1	2119806-1	INSERT, SHEAR	13
-	1	1	3-22280-3	SPRING, COMPRESSION	12
-	1	1	1-356885-4	STOP, SHEAR	11
-	1	1	2119805-1	SHEAR HOLDER, FRONT	10
-	1	1	1803095-6	FLOATING SHEAR, FRONT	9
-	1	1	1-1803171-3	ANVIL, COMBINATION	8
-	-	-	-	-	7
-	-	-	-	-	6
-	1	1	2119757-4	DEPRESSOR, SHEAR	5
-	1	1	5-238011-6	BLOCK, CRIMPER SPACER	4
-	1	1	9-1633962-6	CRIMPER, INSULATION F PREMIUM	3
-	1	1	455888-4	SPACER, CRIMPER	2
-	1	1	8-1633730-7	CRIMPER, WIRE	1

DIMENSIONS:		TOLERANCES UNLESS OTHERWISE SPECIFIED:		MATERIAL:		FINISH:		WEIGHT:		SCALE:		SHEET:		REV:	
mm	0 PLC ±	1 PLC ±	2 PLC ±	3 PLC ±	4 PLC ±	ANGLES	FINISH	-	-	A1	00779	3	4	B	

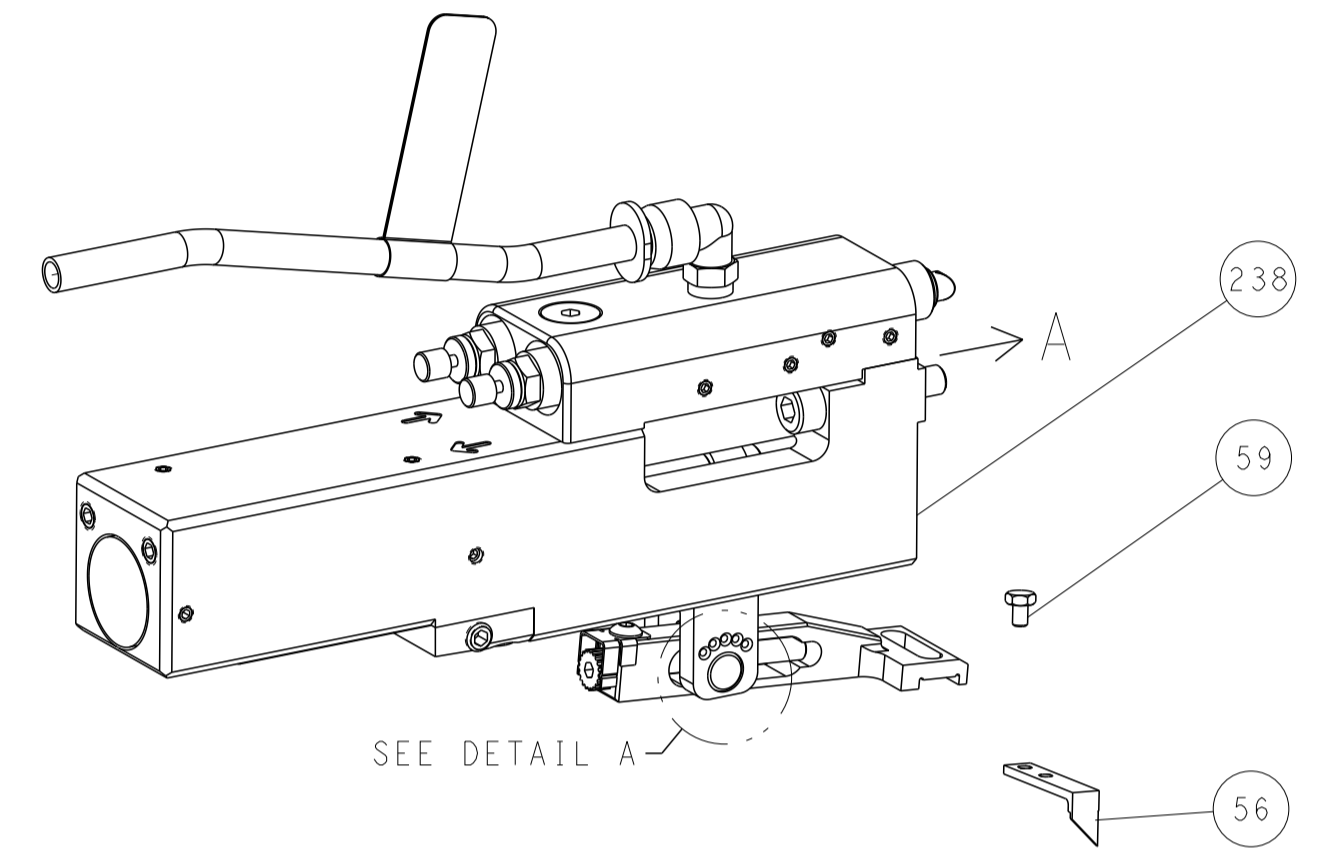
PACIFIC VERSION
Shown on sheets 3 of 4 & 4 of 4
(Atlantic version shown on sheets 1 of 4 & 2 of 4)

LOC		DIST		REVISIONS			
A	66	P	LTM	DESCRIPTION	DATE	DWN	APVD
		-		SEE SHEET 1			

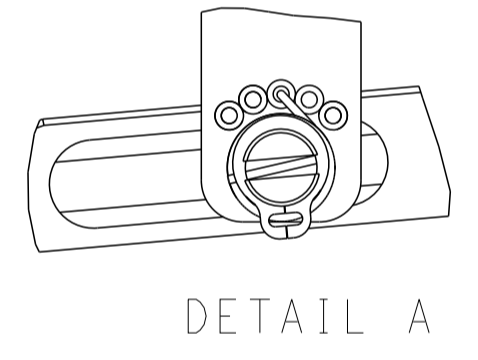
FEED TYPE MECHANICAL



PNEUMATIC

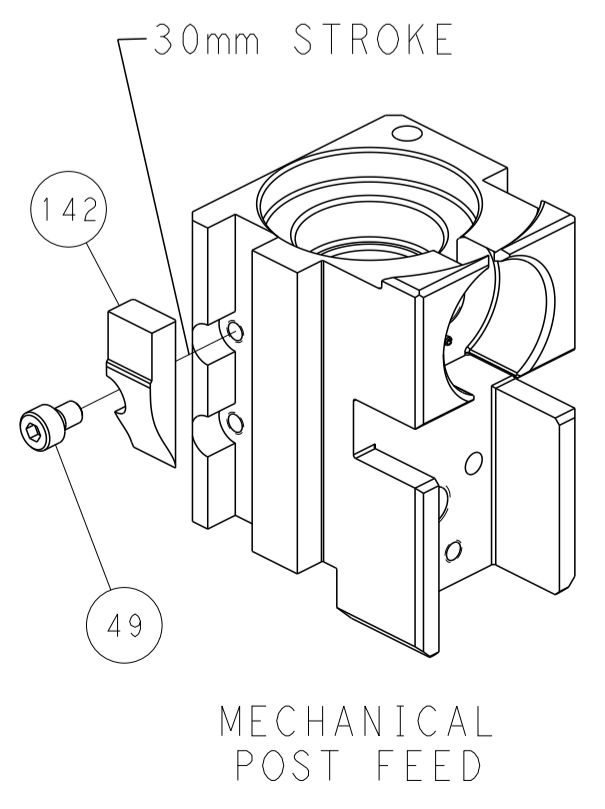


FEED SPRING SETTING POSITION (SHOWN FROM REAR SIDE)

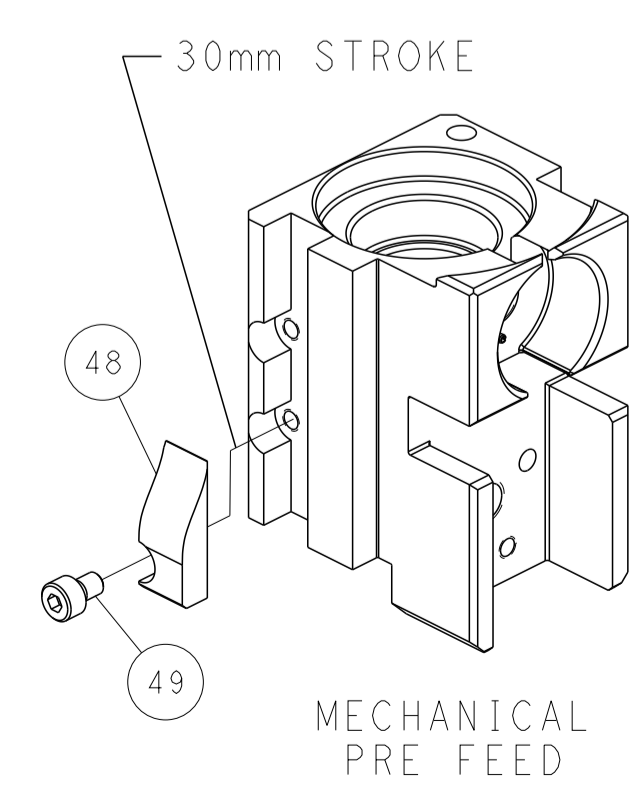


DETAIL A

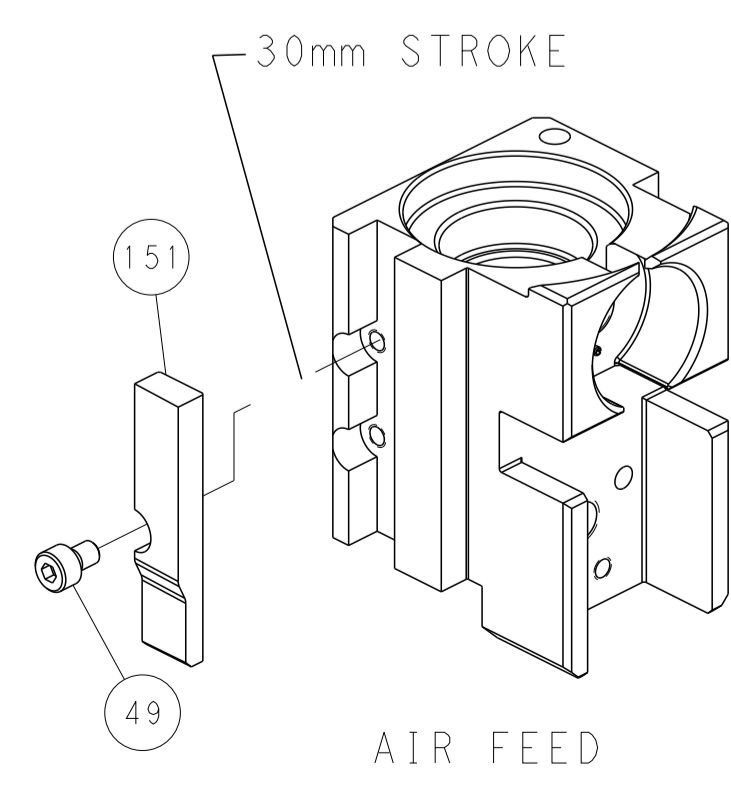
CAM POSITIONS



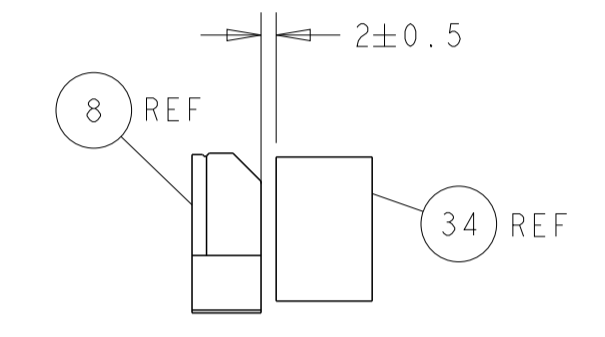
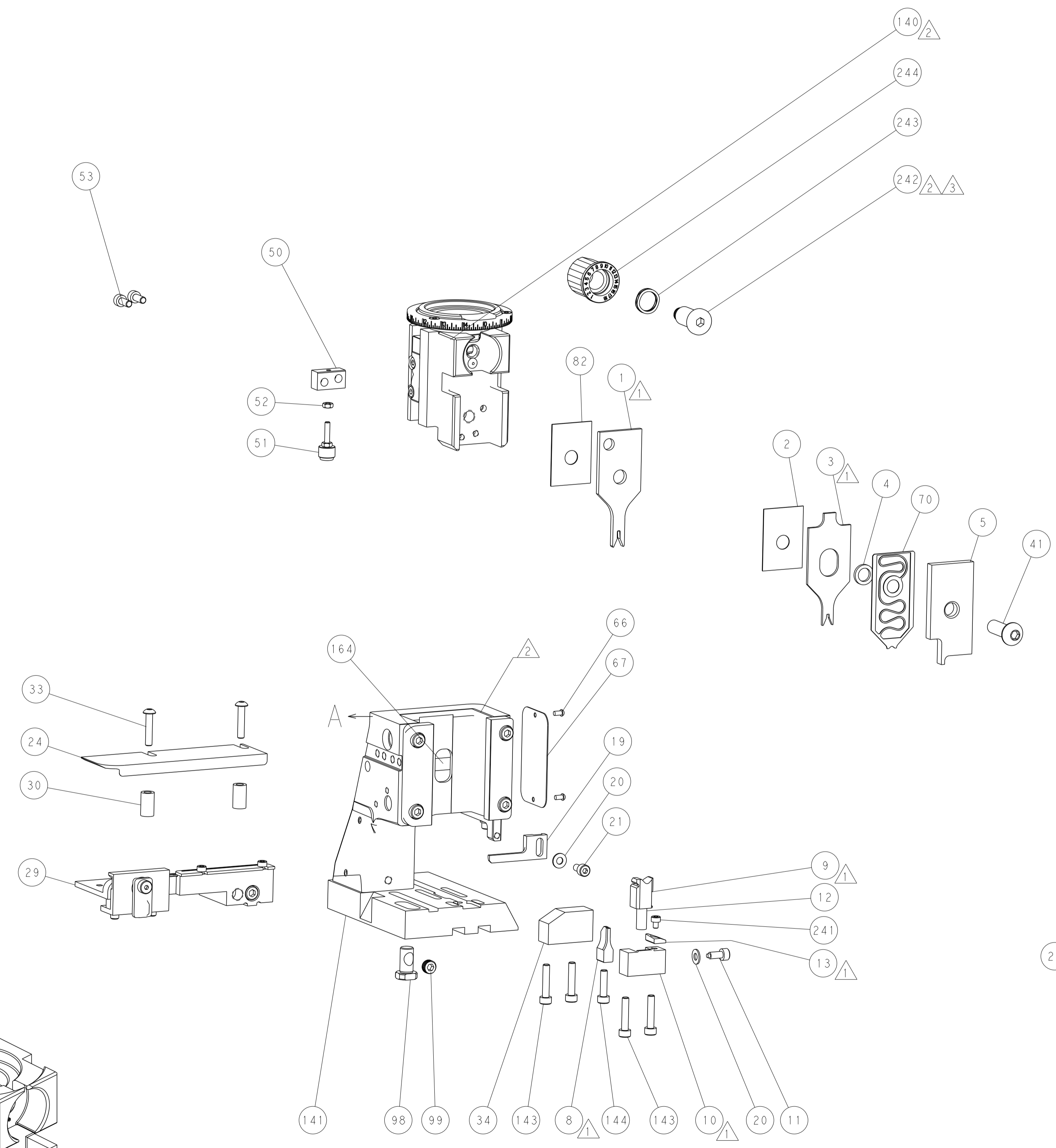
MECHANICAL POST FEED



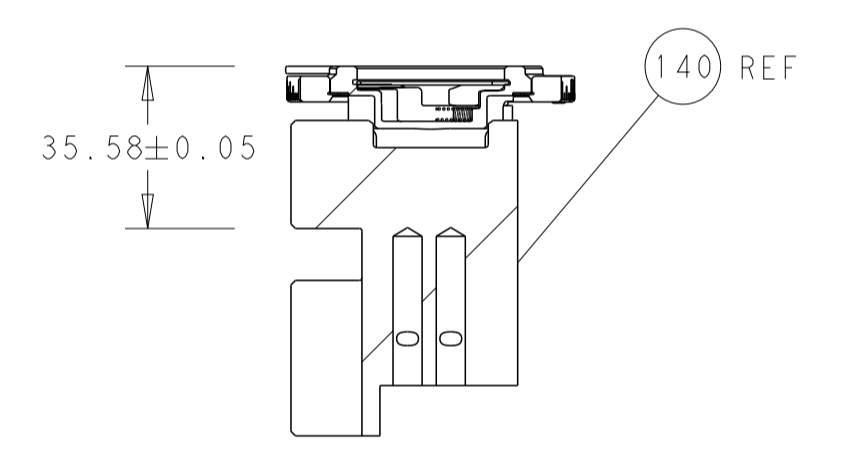
MECHANICAL PRE FEED



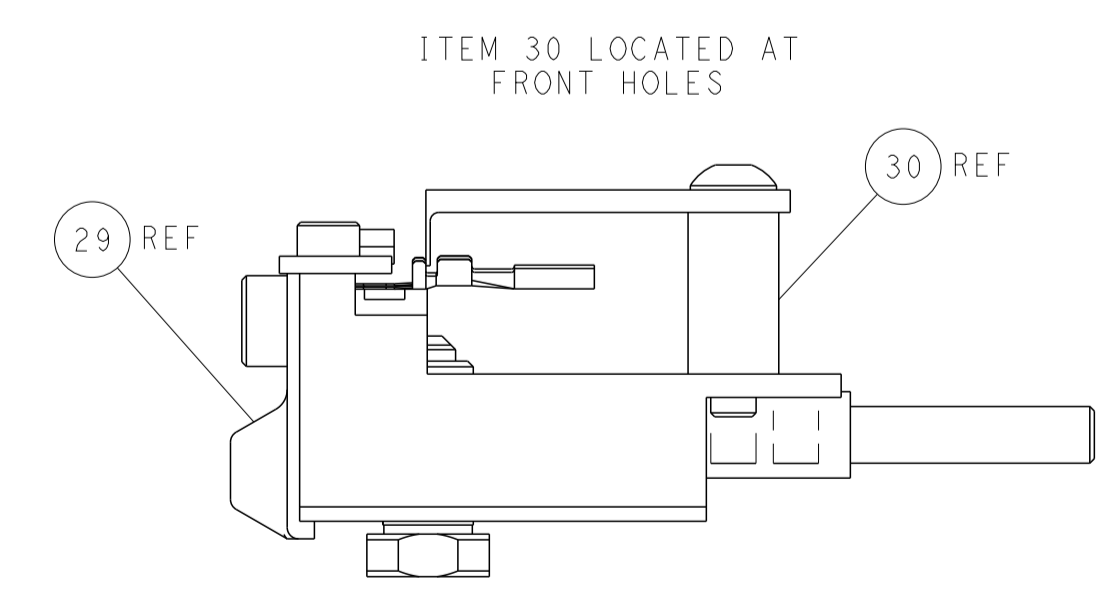
AIR FEED



TERMINAL SUPPORT LOCATION



RAM SET-UP



FEED TRACK POSITION GUIDE BY INSULATION BARREL

PACIFIC VERSION
 Shown on sheets 3 of 4 & 4 of 4
 (Atlantic version shown on sheets 1 of 4 & 2 of 4)

<small>THIS DRAWING IS UNPUBLISHED. RELEASED FOR PUBLICATION. IT IS THE PROPERTY OF TYCO ELECTRONICS CORPORATION. IT IS TO BE USED ONLY FOR THE PURPOSES SPECIFIED. IT IS TO BE RETURNED TO TYCO ELECTRONICS CORPORATION IF IT IS NOT TO BE USED FOR THE PURPOSES SPECIFIED.</small>		DWN: H. HUANG 06AUG2015 CHK: L. ZHANG 06AUG2015 APVD: H. GUO 06AUG2015	TE Connectivity Harrisburg, PA 17105-3608
DIMENSIONS: mm TOLERANCES UNLESS OTHERWISE SPECIFIED: 0 PLC ± 1 PLC ± 2 PLC ± 3 PLC ± 4 PLC ± ANGLES FINISH ±		NAME: Ocean Side Feed Applicator PRODUCT SPEC: APPLICATION SPEC: SIZE: A1 CAGE CODE: 00779 DRAWING NO: C=2266907	RESTRICTED TO: SCALE: 1:2 SHEET: 4 OF 4 REV: B
MATERIAL:		WEIGHT:	Customer Accessible Production Drawing